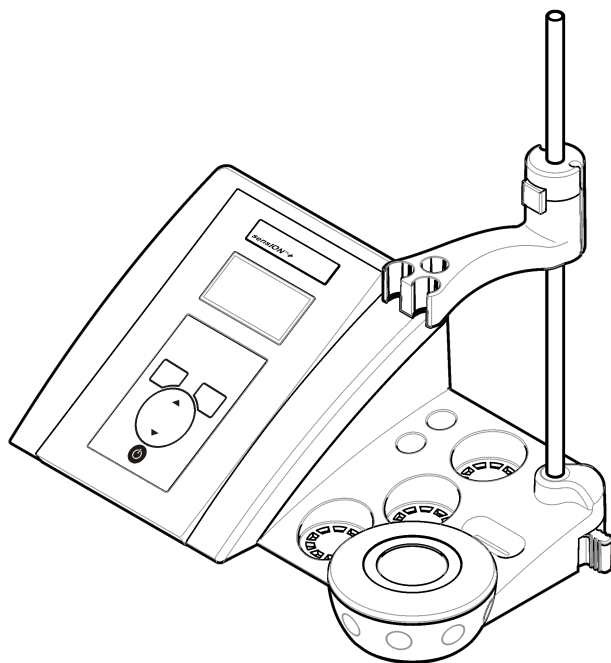




**LANGE** 

# **sensION™ + MM340**

03/2013, Edition 3



**User Manual**  
**Bedienungsanleitung**  
**Manuale dell'utente**  
**Manuel d'utilisation**  
**Manual del usuario**  
**Manual do utilizador**  
**Uživatelská příručka**  
**Brugsanvisning**  
**Gebruikershandleiding**  
**Instrukcja obsługi**  
**Bruksanvisning**  
**Käyttäjän käsikirja**  
**Ръководство на потребителя**  
**Használati útmutató**  
**Manual de utilizare**  
**Naudotojo vadovas**  
**Руководство пользователя**  
**Kullanım Kılavuzu**  
**Návod na obsluhu**  
**Navodila za uporabo**  
**Korisnički priručnik**  
**Εγχειρίδιο χρήσης**  
**Kasutusjuhend**

English.....	3
Deutsch.....	20
Italiano.....	38
Français.....	56
Español.....	74
Português.....	92
Čeština.....	110
Dansk.....	128
Nederlands.....	145
Polski.....	163
Svenska.....	181
Suomi.....	198
български.....	215
Magyar.....	235
Română.....	253
lietuvių kalba.....	271
Русский.....	289
Türkçe.....	309
Slovenský jazyk.....	327
Slovenski.....	345
Hrvatski.....	363
Ελληνικά.....	380
eesti keel.....	400

## Specifications

Specifications are subject to change without notice.

Specification	Details
Dimensions	35 x 20 x 11 cm (13.78 x 7.87 x 4.33 in.)
Weight	1100 g (2.43 lb)
Meter enclosure	IP42
Power requirements (external)	100–240 V, 0.4 A, 47–63 Hz
Meter protection class	Class II
Storage temperature	–15 to +65 °C (5 to +149 °F)
Operating temperature	0 to 40 °C (41 to 104 °F)
Operating humidity	< 80% (non-condensing)
Resolution	pH: 0.1/0.01/0.001, ORP: 0.1/1 mV, ISE: programmable, temperature: 0.1 °C (0.18 °F)
Measuring error (± 1 digit)	pH: ≤ 0.002, ORP: ≤ 0.2 mV, temperature: ≤ 0.2 °C (≤ 0.36 °F)
Reproducibility (± 1 digit)	pH: ± 0.001, ORP: ± 0.1 mV, temperature: ± 0.1 °C (± 0.18 °F)
Data storage	330 results and last 9 calibrations
Connections	2 Combined or indicator probe: BNC connector (Imp. >10 <sup>12</sup> Ω); 2 Reference electrodes: banana connector; A.T.C. type Pt 1000: banana or telephonic connector magnetic stirrer: RCA connector; 2 magnetic stirrers: RCA connector
Temperature correction	Manual, Pt 1000 temperature probe (A.T.C.), isopotential pH programmable, standard value 7.00
Measurement display lock	Continuous measurement, by stability
Display	Liquid crystal, backlit, 128 x 64 dots

Specification	Details
Keyboard	PET with protective treatment
Certification	CE

## General information

Revised editions are found on the manufacturer's website.

## Safety information

### NOTICE

The manufacturer is not responsible for any damages due to misapplication or misuse of this product including, without limitation, direct, incidental and consequential damages, and disclaims such damages to the full extent permitted under applicable law. The user is solely responsible to identify critical application risks and install appropriate mechanisms to protect processes during a possible equipment malfunction.

Please read this entire manual before unpacking, setting up or operating this equipment. Pay attention to all danger and caution statements. Failure to do so could result in serious injury to the operator or damage to the equipment.

Make sure that the protection provided by this equipment is not impaired. Do not use or install this equipment in any manner other than that specified in this manual.

## Use of hazard information

### ▲ DANGER

Indicates a potentially or imminently hazardous situation which, if not avoided, will result in death or serious injury.

### ▲ WARNING

Indicates a potentially or imminently hazardous situation which, if not avoided, could result in death or serious injury.

## ⚠ CAUTION



Indicates a potentially hazardous situation that may result in minor or moderate injury.

## NOTICE

Indicates a situation which, if not avoided, may cause damage to the instrument. Information that requires special emphasis.

## Precautionary labels

Read all labels and tags attached to the instrument. Personal injury or damage to the instrument could occur if not observed. A symbol, if noted on the instrument, will be included with a danger or caution statement in the manual.

	This symbol, if noted on the instrument, references the instruction manual for operation and/or safety information.
	Electrical equipment marked with this symbol may not be disposed of in European public disposal systems after 12 August of 2005. In conformity with European local and national regulations (EU Directive 2002/98/EC), European electrical equipment users must now return old or end-of-life equipment to the Producer for disposal at no charge to the user. <i>Note: For return for recycling, please contact the equipment producer or supplier for instructions on how to return end-of-life equipment, producer-supplied electrical accessories, and all auxiliary items for proper disposal.</i>

## Product overview

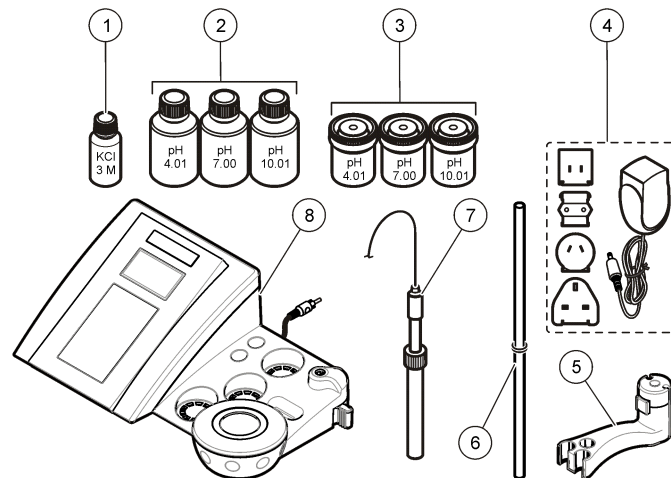
The sensION™+ meters are used with probes to measure various parameters in water.

The sensION™+ MM340 meter has two measurement channels to measure pH, ORP (mV) or ISE (concentration) with a selective probe. Measurement data can be stored and transferred to a printer or PC.

## Product components

Refer to [Figure 1](#) to make sure that all components have been received. If any items are missing or damaged, contact the manufacturer or a sales representative immediately.

Figure 1 Meter components



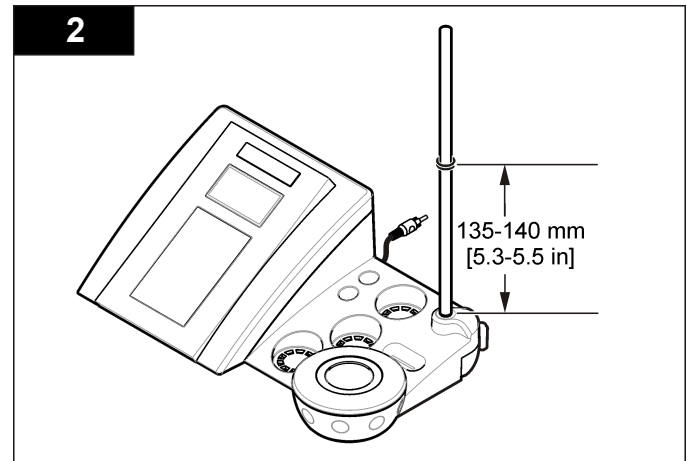
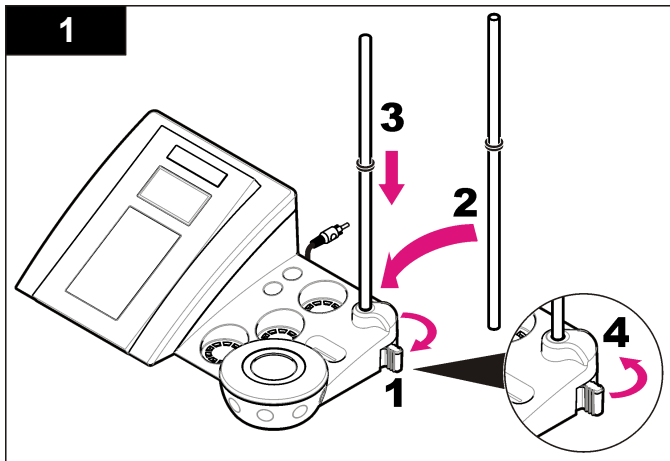
1 Electrolyte for the probe	5 Probe holder
2 Buffer solutions (pH 4.01, pH 7.00 and pH 10.01)	6 Rod with o-ring
3 Calibration beakers (with magnetic bar inside)	7 Probe (included with kits only)
4 Power supply	8 Meter

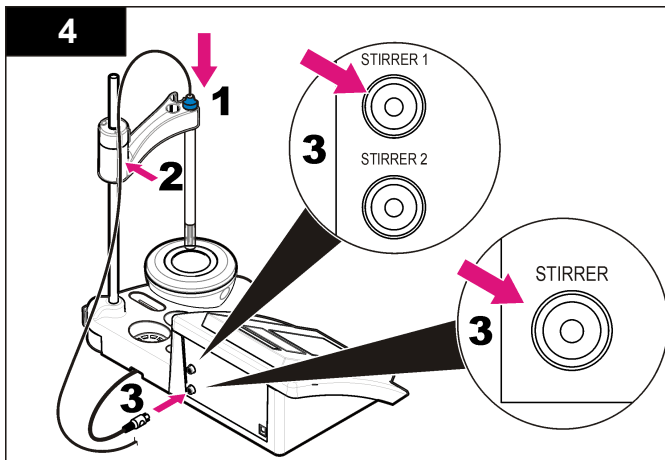
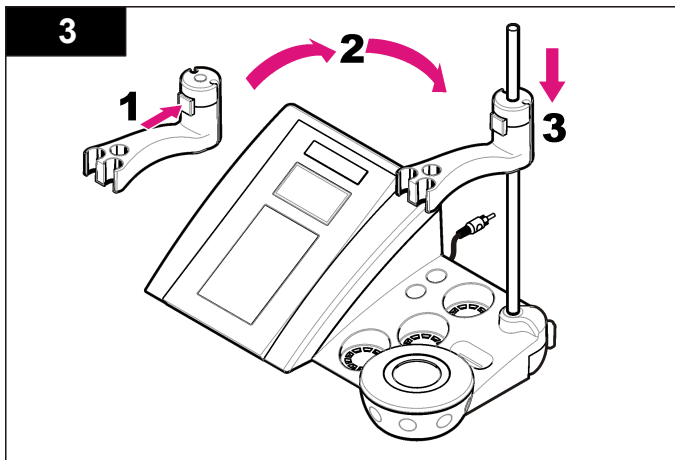


## Installation

### Assemble the probe holder

Follow the numbered steps to assemble the probe holder and to connect the magnetic stirrer.





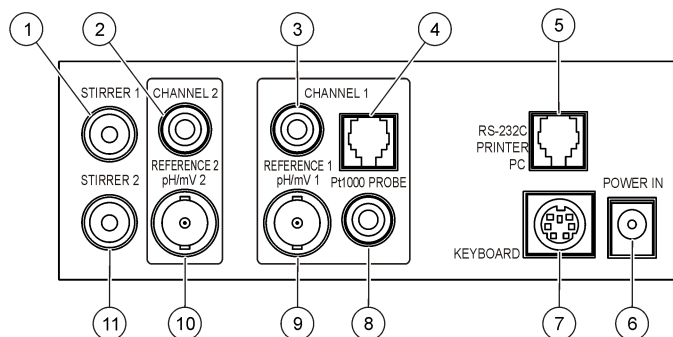
## Connect to AC power

<b>⚠ DANGER</b>	
	Electrocution hazard. If this equipment is used outdoors or in potentially wet locations, a Ground Fault Circuit Interrupt (GFCI/GFI) device must be used to connect the equipment to its main power source.

The meter can be powered by AC power with the universal power adapter.

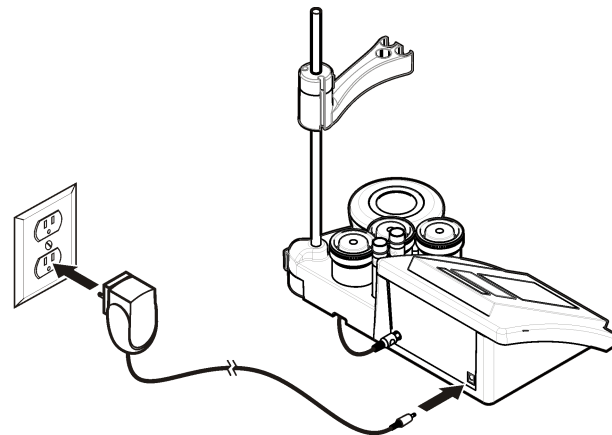
1. Select the correct adapter plug for the power outlet from the adapter kit.
2. Connect the universal power adapter to the meter (Figure 2).
3. Connect the universal power adapter to an AC receptacle (Figure 3).
4. Turn the meter on.

**Figure 2 Connector panel**



<b>1</b> Magnetic stirrer 1 connector, Channel 1	<b>7</b> PC keyboard, mini DIN connector
<b>2</b> Reference electrode (separated electrodes) connector, Channel 1	<b>8</b> Temperature probe connector, Channel 2
<b>3</b> Reference electrode (separated electrodes) connector, Channel 2	<b>9</b> Combined pH electrode (or indicator) connector, Channel 2
<b>4</b> Separated temperature probe connector, Channel 2	<b>10</b> Combined pH electrode (or indicator) connector, Channel 1
<b>5</b> RS-232 for printer or PC connector	<b>11</b> Magnetic stirrer 2 connector, Channel 2
<b>6</b> Power supply	

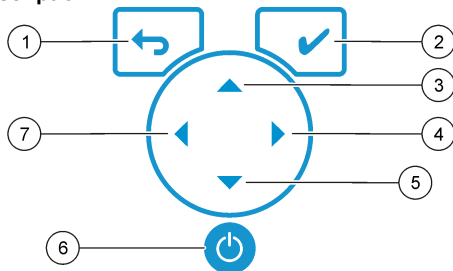
**Figure 3 AC power connection**



## User interface and navigation

### User interface

#### Keypad description

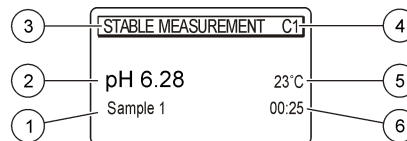


1 RETURN key: cancel or exit the current menu screen to the previous menu screen	5 DOWN key: scroll to other options, change a value
2 MEASUREMENT key: confirm the selected option	6 ON/OFF: turn on or turn off the meter
3 UP key: scroll to other options, change a value	7 LEFT key: change between Channel 1 and Channel 2, enter numbers and letters
4 RIGHT key: change between Channel 1 and Channel 2, enter numbers and letters	

#### Display description

The meter display shows the concentration, units, temperature, calibration status, operator ID, sample ID, date and time.

Figure 4 Single screen display



1 Sample ID	4 Sample temperature (°C or °F)
2 Measurement unit and value (pH, ORP (mV) or ISE)	5 Visual measurement timer
3 Measurement mode or time and date	

### Navigation

Use the to return to the previous menu. Use the measure key to take a sample measurement or to confirm options. Use the arrow keys to scroll to other options or to change a value. To change the parameters use the arrow keys and . Refer to each task for specific instructions.

### Start-up

#### Turn the meter on and off

#### NOTICE

Make sure that the probe is connected to the meter before the meter is turned on.

Push to turn on or turn off the meter. If the meter does not turn on, make sure that the AC power supply is properly connected to an electrical outlet.

## Change the language

The display language is selected when the meter is powered on for the first time.

1. Use the ▲ or ▼ to select a language from a list.
2. Confirm with ✓. The measurement screen shows DATA OUTPUT.
3. Select Deactivated if no printer or PC is connected and confirm. Refer to [Select the data output](#) on page 11 for more information about Data Output.

## Standard operation

### Calibration

#### ▲ WARNING

Chemical exposure hazard. Obey laboratory safety procedures and wear all of the personal protective equipment appropriate to the chemicals that are handled. Refer to the current material safety data sheets (MSDS) for safety protocols.

### Calibration settings

The calibration settings contain Calibration type, Calibration frequency and Display options.

1. From the main menu use the ▲ or ▼ to select CALIBRATION. Confirm.
2. Use the ▲ to enter the calibration menu.
3. Use the ▲ or ▼ to select the following options:

Option	Description
<b>Stability C.:</b>	Criterion by stability—select Fast, Standard or Strict.
<b>Calibration type</b>	Calibration type—select Technical buffers, DIN19266 Buffers, User Buffers, To a X value, data introduction or Theoretical calibration. Refer to <a href="#">Calibration types</a> for more information.

Option	Description
<b>Cal. frequency</b>	Calibration reminder—can be set between 0–7 days (default daily). The display shows the remaining time to the new calibration. Refer to <a href="#">Set the calibration reminder</a> on page 10 for more information.
<b>Display mV</b>	Display mV—select YES or NO to show mV.
<b>Standard 220 mV</b>	Standard 220 mV—calibrate with a 220 mV standard solution
<b>To a X value</b>	To a X value—use a specific standard solution. Adjust the value during the calibration.
<b>Data introduction</b>	Data introduction Compensation—enter the compensation value
<b>Factory adjust</b>	Factory adjust—enter the compensation value

### Calibration types

Different calibration types can be selected.

1. From the main menu use the ▲ or ▼ to select CALIBRATION. Confirm.
2. Use the ▲ to enter the calibration menu.
3. Use the ▲ or ▼ to select Calibration type.

Option	Description
<b>Technical buffers</b>	pH 2.00, 4.01, 7.00, 9.21 and 10.01 at 25 °C (77 °F)
<b>DIN19266 Buffers</b>	pH 1.679, 4.006, 6.865, 7.000, 9.180, 10.012 and 12.454
<b>User Buffers</b>	Selected when the technical or DIN19266 buffers are not used. Refer to <a href="#">Technical buffer solutions (DIN 19267)</a> on page 18 for pH values of specific buffer sets at varying temperatures.
<b>Calibration to a X value</b>	To adjust manually any scale value of the measured pH.

Option	Description
<b>Data introduction</b>	Manual probe constant introduction.
<b>Theoretical calibration</b>	The probe calibration data is replaced at 25 °C (77 °F).

## Calibration procedure

This procedure is for general use with liquid calibration solutions. Refer to the documents that are included with each probe for additional information.

**Note:** Solutions should be stirred during calibration. For more information about the stirring settings, refer to [Change the stirring settings](#) on page 12.

1. Pour the buffers or calibration solutions into the labeled calibration beakers.
2. From the main menu use the ▲ or ▼ and ◀ and ▶ to select the CALIBRATION parameter. Confirm.
3. If required select the Operator ID (1 to 10) and confirm.
4. Rinse the probe with deionized water and put the probe into the first calibration beaker. Be sure that there are no air bubbles in the membrane.
5. Push ✓ to Start calibration.
6. Push ✓ to measure the first calibration solution. The next calibration solution is shown.
7. Rinse the probe with deionized water and put the probe into the second calibration beaker. Be sure that there are no air bubbles in the membrane.
8. Push ✓ to measure the second calibration solution. The next calibration solution is shown.
9. Rinse the probe with deionized water and put the probe into the third calibration beaker. Be sure that there are no air bubbles in the membrane.
10. Push ✓ to measure the third calibration solution. When the calibration is good, the display briefly shows Calibration OK and then returns to the main menu.  
**Note:** When a printer is connected the print menu opens and the result can be printed.

## View the calibration data

Data from the most recent calibration can be shown.

1. From the main menu use the ▲ or ▼ to select DATA LOGGER. Confirm.
2. Select Display data.
3. Select Calibration data and confirm with ✓. The last calibration data is shown.
  - pH-the slope and offset values are shown alternating with the deviation (in %) and calibration temperature.
  - ORP-the measured mV value and calibration temperature are shown.
  - Conductivity-the cell constant and calibration temperature for each standard are shown.

## Set the calibration reminder

The calibration reminder can be set between 0 to 23 hours or 1-7 days (default 1 day). The display shows the remaining time to the new calibration.

**Note:** When 0 days is selected, the calibration reminder is turned off.

1. From the main menu use the ▲ or ▼ to select CALIBRATION. Confirm.
2. Use the ▲ to enter the calibration menu.
3. Use the ▲ or ▼ to select Cal. frequency and confirm.
4. Use the ◀ and ▶ to advance to the next step and use the ▲ or ▼ to change a value. Confirm. Push ✓ to start the calibration.

## Sample measurements

Each probe has specific preparation steps and procedures for taking sample measurements.

1. From the main menu use the ▲ or ▼ and ◀ and ▶ to select MEASURE. Confirm.

- Use the ▲ to change the following settings. Confirm every entry.

Option	Description
<b>Resolution</b>	Select the resolution: 1, 0.1, 0.01 (default) or 0.001
<b>Measure</b>	Stability—select By stability Criterion: Fast (variation < 0.02 pH in 6 s), Standard (variation < 0.01 pH in 6 s) or Strict (variation < 0.002 pH in 6 s). In continuous—enter the time interval for the In continuous Acquis. interval (data storage or printing data). By time—enter the time interval for data storage or printing data.
<b>Display mV</b>	Display mV—select YES or NO to show mV.
<b>Limits</b>	Limits—select YES or NO. YES: Enter the upper and lower limits. An acoustic warning appears when the measurement is out of limit. The report output shows an A next to the measured value when the measurement was out of limit.
<b>Isopotential</b>	Isopotential—change the Isopotential pH value in Data introduction. Select Calculate to calibrate the probe again.

- Push ✓ to start the measurement.

**Note:** If the measurement is not stabilizing after 120 seconds, the meter turns automatically into the continuous measurement mode.

## Advanced operation

### Change the measurement units

The measurement units can be changed individually for each channel.

- From the main menu use the ▲ or ▼ to select SYSTEM. Confirm.
- Use the ▲ or ▼ to select Measurement units and confirm.
- Select Channel 1 or Channel 2 and confirm.
- Select ORP (mV), pH or ISE and confirm.

### Use a sample ID

The sample ID tag is used to associate readings with a particular sample location. If assigned, stored data will include this ID.

- From the main menu use the ▲ or ▼ to select SYSTEM. Confirm.
- Use the ▲ or ▼ to select Sample ID and confirm.
- Use the ▲ or ▼ to select

Option	Description
<b>Automatic</b>	A consecutive number will be automatically assigned to every sample.
<b>Manual</b>	A keyboard or a barcode scanner is required to enter the sample ID name before taking a measurement (maximum 15 characters).

### Select the data output

Data can be stored or transferred to a printer or to a PC.

- From the main menu use the ▲ or ▼ to select SYSTEM. Confirm.
- Use the ▲ or ▼ to select Data Output and confirm.
- Use the ▲ or ▼ to select

Option	Description
<b>Deactivated</b>	Select Deactivated if no printer or PC is connected.
<b>For Printer</b>	Select Dot matrix printer or Thermal printer.
<b>For Computer</b>	Select Terminal, LabCom or LabCom Easy. The LabCom Software controls several modules, pH and conductivity meters, automatic burettes, Samplers and so on from a computer. The LabCom Easy software gets pH and conductivity data from a PC.

### Change the date and time

The date and time can be changed from the Date / Time menu.

- From the main menu use the ▲ or ▼ to select SYSTEM. Confirm.
- Use the ▲ or ▼ to select Date / Time and confirm.
- Use the ◀ and ▶ to advance to the next step and use the ▲ or ▼ to change a value. Confirm.

The current date and time will be shown on the display.

## Adjust the display contrast

1. From the main menu use the ▲ or ▼ to select SYSTEM. Confirm.
2. Use the ▲ or ▼ to select Display contrast and confirm.
3. Use the ◀ and ▶ to adjust the contrast of the display and confirm.

## Adjust the temperature

The temperature measurement can be adjusted at 25 °C (77 °F) and/or 85 °C (185 °F) to increase accuracy.

1. Put the probe and a reference thermometer in a container of water at approximately 25 °C and allow the temperature to stabilize.
2. Compare the temperature read by the meter with that of the reference thermometer. The difference is the adjustment value for the meter.  
Example: reference thermometer: 24.5 °C; meter: 24.3 °C.  
Adjustment value: 0.2 °C.
3. Enter the adjustment value for the 25 °C reading:
  - a. From the main menu use the ▲ or ▼ to select SYSTEM. Confirm.
  - b. Use the ▲ or ▼ to select Readjust temp. and confirm.
  - c. Select Channel 1 or Channel 2 and confirm. The temperature for channel 1 is measured by the conductivity cell and channel 2 is measured by the pH probe. If no Conductivity cell is connected, the temperature value must be entered manually or the temperature measured in channel 2 can be applied to the meter.
  - d. Use the ▲ or ▼ to select 25 °C and confirm.
  - e. Use the arrow keys to enter the adjustment value for 25 °C. Confirm.
4. Put the probe and a reference thermometer in a container of water at approximately 85 °C and allow the temperature to stabilize.
5. Compare the temperature from the meter with that of the reference thermometer. The difference is the adjustment value for the meter.
  - a. Use the ▲ or ▼ to select 85 °C and confirm.

- b. Use the arrow keys to enter the adjustment value for 85 °C. Confirm.
- c. Select Save changes and confirm.

## Change the stirring settings

The magnetic stirrer can be turned on and the stirring speed can be changed in the Stirring menu.

1. From the main menu use the ▲ or ▼ to select SYSTEM. Confirm.
2. Use the ▲ or ▼ to select Stirring and confirm.
3. To turn on/off the stirrer push ✓.
4. When the stirrer is turned on, use the ▲ or ▼ to change the stirring speed in %.

*Note: Use the ▲ or ▼ to change the stirring speed during calibration and during a measurement.*

## Turn the stirrer on or off

The stirrer 1 works with Channel 1 and 2 (Stirrer 1). A second stirrer can be connected to channel 2 (Stirrer 2). For the stirrer 2 activation refer to the following steps.

1. From the main menu use the ▲ or ▼ to select SYSTEM. Confirm with ✓.
2. Use the ▲ or ▼ to select Stirrer N.2 and confirm with ✓.
3. Use the ▲ or ▼ to select YES to turn the stirrer 2 on.  
*Note: Select NO to turn the stirrer 2 off.*

## Change the temperature units

The temperature units can be changed to Celsius or Fahrenheit.

1. From the main menu use the ▲ or ▼ to select SYSTEM. Confirm.
2. Use the ▲ or ▼ to select Temperature units and confirm.
3. Use the ▲ or ▼ to select between Celsius or Fahrenheit and confirm.



## Data logger

### Display data

The Display data log contains Measurement data, Electrode report and Calibration data. The stored data can be sent to a printer or to a PC. When the data log becomes full (400 data points), the oldest data point is deleted when a new data point is added.

1. Use the ◀ and ▶ to select Channel 1 or Channel 2 and confirm.
2. From the main menu use the ▲ or ▼ to select SYSTEM. Confirm.
3. Use the ▲ or ▼ to select DATA LOGGER and confirm.
4. Use the ▲ or ▼ to select Display data and confirm.
5. Use the ▲ or ▼ to select

Option	Description
<b>Measurement data</b>	Measurement data—stores automatically each time a sample is measured
<b>Electrode report</b>	Electrode report—stores automatically the electrode history and measurement conditions
<b>Calibration data</b>	Calibration data—stores automatically the current calibration

### Delete data

The entire measurement data or electrode report log can be deleted to remove data that has already been sent to a printer or PC.

1. From the main menu use the ▲ or ▼ to select SYSTEM. Confirm.
2. Use the ▲ or ▼ to select DATA LOGGER and confirm.
3. Use the ▲ or ▼ to select Erase and confirm.
4. Use the ▲ or ▼ to select Measurement data or Electrode report and confirm. Confirm again to delete the data.  
The entire log is deleted at once.

## Send data to a printer or to a computer

### NOTICE

The data output (printer or PC) needs to be selected first, so that the Print menu is available (refer to [Select the data output](#) on page 11).

**Note:** Refer to [Report output](#) on page 13 to select the report output type.

1. From the main menu use the ▲ or ▼ to select SYSTEM. Confirm.
2. Use the ▲ or ▼ to select DATA LOGGER and confirm.
3. Use the ▲ or ▼ to select Print and confirm. Select one of the following options and confirm with ✓ to print the data: Measurement data, Electrode data, Calibration data, Calibration report or Instrument condit.

### Report output

### NOTICE

The data output (printer or PC) needs to be selected first, so that the Type of report menu is available (refer to [Select the data output](#) on page 11).

Different report output types can be selected when a printer or a PC is connected.

1. From the main menu use the ▲ or ▼ to select SYSTEM. Confirm.
2. Use the ▲ or ▼ to select Type of report and confirm.
3. When a printer or a computer and Terminal is connected, use the ▲ or ▼ to select

Option	Description
<b>Reduced</b>	Select Several or One sample as an output format

Option	Description
<b>Standard</b>	Select Several or One sample as an output format. Select several: <b>Users:</b> The user name appears on the printed report (17 characters). <b>Header:</b> The company name can be added as a header (40 characters) and appears on the print report. <b>Identify sensor:</b> The sensor model and the sensor serial number can be added and appears on the print report.
<b>GLP</b>	Select Several or One sample as an output format. Select several: <b>Users:</b> The user name appears on the printed report (17 characters). <b>Header:</b> The company name can be added as a header (40 characters) and appears on the print report. <b>Identify sensor:</b> The sensor model and the sensor serial number can be added and appears on the print report.

4. When a computer is connected and LabCom Easy (refer to [Select the data output](#) on page 11 for more information) is selected, use the ▲ or ▼ to select

Option	Description
<b>Users</b>	The user name appears on the printed report (17 characters).
<b>Identify sensor</b>	The sensor model and the sensor serial number can be added and appears on the print report.

## Maintenance

### ⚠ WARNING

Multiple hazards. Do not disassemble the instrument for maintenance or service. If the internal components must be cleaned or repaired, contact the manufacturer.

### ⚠ CAUTION

Personal injury hazard. Only qualified personnel should conduct the tasks described in this section of the manual.

## Clean the instrument

### NOTICE

Never use cleaning agents such as turpentine, acetone or similar products to clean the instrument including the display and accessories.

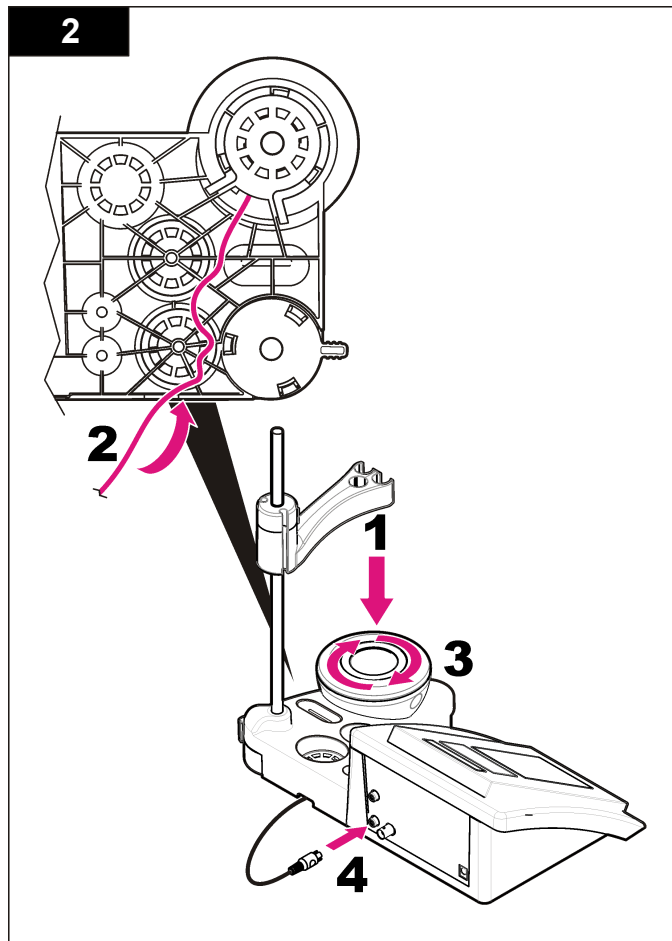
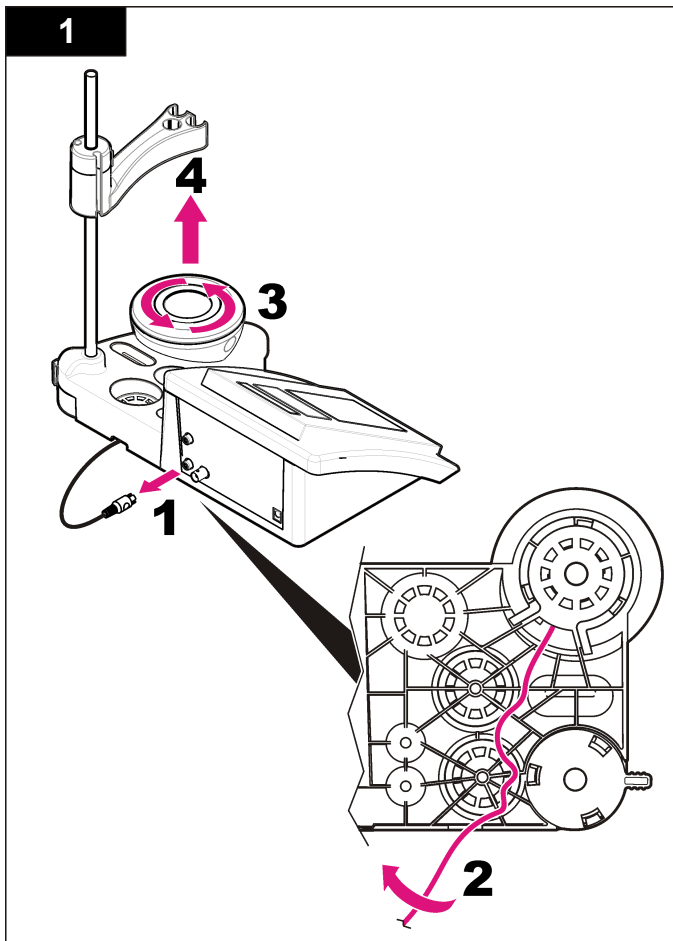
Clean the exterior of the instrument with a moist cloth and a mild soap solution.

## Clean the probe

Clean the probe as needed. Refer to [Troubleshooting](#) on page 16 for more information about cleaning. Refer to the probe documentation for information about the probe maintenance.

## Replace the magnetic stirrer

If the magnetic stirrer does not start, follow the numbered steps to replace the magnetic stirrer.



## Troubleshooting

Refer to the following table for common problem messages or symptoms, possible causes and corrective actions.

**Table 1 Calibration warnings and errors**

Error/Warning	Solution
Asymmetry > 58 mV	Slope out of range (accepted values $\pm 58$ mV). Calibrate again. Connect a new probe.
Buffer or electrode in poor conditions.	Examine the probe: Clean the probe (refer to <a href="#">Clean the probe</a> on page 14 for more information); make sure that there are no air bubbles in the membrane. Shake the probe like a thermometer; connect a different probe to verify if problem is with probe or meter.  Examine the buffer solution: Make sure that the buffer used matches the buffer specified in configuration; make sure of the temperature specification in configuration; use new buffer solution.
BUFFER NOT RECOGNIZED	Calibrate again.
Sens. (a) < 70%	Examine the probe: Clean the probe (refer to <a href="#">Clean the probe</a> on page 14 for more information); make sure that there are no air bubbles in the membrane. Shake the probe like a thermometer; connect a different probe to verify if problem is with probe or meter.  Examine the buffer solution: Make sure that the buffer used matches the buffer specified in configuration; make sure of the temperature specification in configuration; use new buffer solution.
UNSTABLE READING Time > 100 s	Calibrate again.  Examine the probe: Clean the probe (refer to <a href="#">Clean the probe</a> on page 14 for more information); make sure that there are no air bubbles in the membrane. Shake the probe like a thermometer; connect a different probe to verify if problem is with probe or meter.  Make sure that the membrane and the diaphragm are properly immersed in the sample.

**Table 1 Calibration warnings and errors (continued)**

Error/Warning	Solution
Check temperature. Check electrode	Make sure of the temperature specification in configuration.  Examine the probe: Clean the probe (refer to <a href="#">Clean the probe</a> on page 14 for more information); make sure that there are no air bubbles in the membrane. Shake the probe like a thermometer; connect a different probe to verify if problem is with probe or meter.
Electrode in poor conditions.	Examine the probe: Clean the probe (refer to <a href="#">Clean the probe</a> on page 14 for more information); make sure that there are no air bubbles in the membrane. Shake the probe like a thermometer; connect a different probe to verify if problem is with probe or meter.
Check the electrode.	Examine the probe: Clean the probe (refer to <a href="#">Clean the probe</a> on page 14 for more information); make sure that there are no air bubbles in the membrane. Shake the probe like a thermometer; connect a different probe to verify if problem is with probe or meter.
SAME BUFFERS	Calibrate again.  Examine the probe: Clean the probe (refer to <a href="#">Clean the probe</a> on page 14 for more information); make sure that there are no air bubbles in the membrane. Shake the probe like a thermometer; connect a different probe to verify if problem is with probe or meter.  Examine the buffer solution: Use new buffer solution.

**Table 2 Measurement warnings and errors**

Error/Warning	Solution
pH 12.78 19°C	Calibrate again
pH out of range	Examine the probe: Clean the probe (refer to <a href="#">Clean the probe</a> on page 14 for more information); make sure that there are no air bubbles in the membrane. Shake the probe like a thermometer; connect a different probe to verify if problem is with probe or meter.
Temp out of range °C	Examine the temperature sensor.  Connect a different probe to verify if problem is with probe or meter.

**Table 2 Measurement warnings and errors (continued)**

Error/Warning	Solution
Time > 60 s	Make sure that the membrane and the diaphragm are properly immersed in the sample. Examine the temperature. Examine the probe: Clean the probe (refer to <a href="#">Clean the probe</a> on page 14 for more information); make sure that there are no air bubbles in the membrane. Shake the probe like a thermometer; connect a different probe to verify if problem is with probe or meter.
Time > 150 s	
Time > 300 s	
10.389 mg/L >>>>> 00012 00:13	ISE measurement: The measured value is superior to the highest standard used in calibration. Measure again.
0.886 mg/L <<<<<< 00018 00:11	ISE measurement: The measured value is inferior to the lowest standard used in calibration. Measure again.

## Replacement parts and accessories

**Note:** Product and Article numbers may vary for some selling regions. Contact the appropriate distributor or refer to the company website for contact information.

### Replacement parts

Description	Item no.
sensION+ PH3 Lab pH-meter with accessories, without probe	LPV2000.98.0002
sensION+ PH31 Lab pH-meter, GLP, with accessories, without probe	LPV2100.98.0002
sensION+ MM340 Lab pH & Ion-meter, GLP, 2 channels, with accessories, without probe	LPV2200.98.0002
sensION+ EC7 Lab conductivity meter, with accessories, without probe	LPV3010.98.0002

## Replacement parts and accessories (continued)

Description	Item no.
sensION+ EC71 Lab conductivity meter, GLP, with accessories, without probe	LPV3110.98.0002
sensION+ MM374, 2 channel Lab meter, GLP, accessories, without probes	LPV4110.98.0002

### Consumables

Description	Item no.
pH buffer solution 4.01, 125 mL	LZW9460.99
pH buffer solution 7.00, 125 mL	LZW9461.98
pH buffer solution 10.01, 125 mL	LZW9470.99
pH buffer solution 4.01, 250 mL	LZW9463.99
pH buffer solution 7.00, 250 mL	LZW9464.98
pH buffer solution 10.01, 250 mL	LZW9471.99
pH buffer solution 4.01, 1000 mL	LZW9466.99
pH buffer solution 7.00, 1000 mL	LZW9467.98
pH buffer solution 10.01, 1000 mL	LZW9472.99
Electrolytic solution (KCl 3M), 125 mL	LZW9510.99
Electrolytic solution (KCl 3M), 250 mL	LZW9500.99
Electrolytic solution (KCl 3M), 50 mL	LZW9509.99
Electrolytic solution 0.1 M, 125 mL	LZW9901.99
Enzyme solution	2964349
Pepsin Cleaning Solution	2964349
Electrode cleaning solution	2965249
0.1 N HCl solution	1481253

## Accessories

Description	Item no.
Thermal printer, RS232, for sensION+ benchtop	LZW8201.99
Thermal paper for printer LZW8201, bag with 5 rolls	LZW9117.99
Dot-impact printer, RS232, for sensION+ instruments	LZW8200.99
Standard paper for printer LZW8200, bag with 10 rolls	LZW9000.99
Ribbon for printer LZW8200, 3 units	LZW9001.99
LabCom Easy PC SW, for sensION+ GLP, CD, cable, USB adapter	LZW8997.99
LabCom PC SW, for sensION+ GLP, CD, cable, USB adapter	LZW8999.99
RS232 cable, for sensION+ benchtop instruments	LZW9135.99
RS232 cable for sensION+ benchtop, with USB adapter	LZW9135USB.99
Magnetic stirrer with sensor holder, for sensION+ MM benchtop	LZW9319.99
3x50 mL printed beakers for benchtop pH calibration	LZW9110.98
Three-sensor holder, for sensION+ benchtop instruments	LZW9321.99
Holder and clamp for three sensors	LZW9155.99
Pyrex glass chamber, continuous flow measurements	LZW9118.99
PP protector, electrode storage	LZW9161.99

## Standard solutions

### Technical buffer solutions (DIN 19267)

Refer to [Table 3](#) pH and ORP (mV) values of specific buffer sets at varying temperatures.

**Table 3 pH, ORP (mV) and temperature values**

Temperature		pH					mV
°C	°F						
0	32	2.01	4.01	7.12	9.52	10.30	—
10	50	2.01	4.00	7.06	9.38	10.17	245
20	68	2.00	4.00	7.02	9.26	10.06	228
<b>25</b>	<b>77</b>	<b>2.00</b>	<b>4.01</b>	<b>7.00</b>	<b>9.21</b>	<b>10.01</b>	<b>220</b>
30	86	2.00	4.01	6.99	9.16	9.96	212
40	104	2.00	4.03	6.97	9.06	9.88	195
50	122	2.00	4.06	6.97	8.99	9.82	178
60	140	2.00	4.10	6.98	8.93	9.76	160
70	158	2.01	4.16	7.00	8.88	—	—
80	176	2.01	4.22	7.04	8.83	—	—
90	194	2.01	4.30	7.09	8.79	—	—

### Buffer solutions (DIN 19266)

Refer to [Table 4](#) for pH and ORP (mV) values of specific buffer sets at varying temperatures.

**Table 4 pH, ORP (mV) and temperature values**

Temperature		pH					mV	
°C	°F							
5	32	1.668	4.004	6.951	7.087	9.395	10.245	13.207
10	50	1.670	4.000	6.923	7.059	9.332	10.179	13.003
20	68	1.675	4.001	6.881	7.016	9.225	10.062	12.627
<b>25</b>	<b>77</b>	<b>1.679</b>	<b>4.006</b>	<b>6.865</b>	<b>7.000</b>	<b>9.180</b>	<b>10.012</b>	<b>12.454</b>

**Table 4 pH, ORP (mV) and temperature values (continued)**

Temperature		pH					mV	
°C	°F							
30	86	1.683	4.012	6.853	6.987	9.139	9.966	12.289
40	104	1.694	4.031	6.838	6.970	9.068	9.889	11.984
50	122	1.707	4.057	6.833	6.964	9.011	9.828	11.705
60	140	1.723	4.085	6.836	6.968	8.962	—	11.449
70	158	1.743	4.126	6.845	6.982	8.921	—	—
80	176	1.766	4.164	6.859	7.004	8.885	—	—
90	194	1.792	4.205	6.877	7.034	8.850	—	—

## Technische Daten

Änderungen vorbehalten.

Technische Daten	Details
Abmessungen	35 x 20 x 11 cm
Gewicht	1100 g
Gerätegehäuse	IP42
Spannungsversorgung (extern)	100–240 V, 0,4 A, 47-63 Hz
Schutzklasse des Messgerätes	Klasse II
Lagertemperatur	–15 bis +65 °C
Betriebstemperatur	0 bis 40 °C
Luftfeuchtigkeit bei Betrieb	< 80% (nicht-kondensierend)
Auflösung	pH: 0,1/0,01/0,001, ORP: 0,1/1 mV, ISE: programmierbar, Temperatur: 0,1 °C
Messfehler (± 1 Stelle)	pH: ≤ 0,002, ORP: ≤ 0,2 mV, Temperatur: ≤ 0,2 °C
Reproduzierbarkeit (± 1 Stelle)	pH: ± 0,001, ORP: ± 0,1 mV, Temperatur: ± 0,1 °C
Datenspeicher	330 Ergebnisse und die letzten 9 Kalibrierungen
Anschlüsse	2 Kombinierte oder Indikatorsonde: BNC-Anschluss (Imp. >10 <sup>12</sup> Ω); 2 Referenzelektroden: Bananenanschluss; A.T.C.-Typ Pt 1000: Bananen- oder Telefonanschluss; Magnetrührer: RCA-Anschluss; 2 Magnetrührer: RCA-Anschluss
Temperaturkorrektur	Manuell, Pt 1000 Temperatursonde (A.T.C.), Isopotenzial pH-programmierbar, Standardwert 7,00
Sperren der Messanzeige	Kontinuierliche Messung, nach Stabilität

Technische Daten	Details
Display	Flüssigkristall, Hintergrundbeleuchtung, 128 x 64 Punkte
Tastatur	PET mit Schutzbehandlung
Zertifizierung	CE

## Allgemeine Informationen

Überarbeitete Ausgaben der Bedieneungsanleitung sind auf der Hersteller-Webseite erhältlich.

## Sicherheitshinweise

### HINWEIS

Der Hersteller ist nicht für Schäden verantwortlich, die durch Fehlanwendung oder Missbrauch dieses Produkts entstehen, einschließlich, aber ohne Beschränkung auf direkte, zufällige oder Folgeschäden, und lehnt jegliche Haftung im gesetzlich zulässigen Umfang ab. Der Benutzer ist selbst dafür verantwortlich, schwerwiegende Anwendungsrisiken zu erkennen und erforderliche Maßnahmen durchzuführen, um die Prozesse im Fall von möglichen Gerätefehlern zu schützen.

Bitte lesen Sie dieses Handbuch komplett durch, bevor Sie dieses Gerät auspacken, aufstellen oder bedienen. Beachten Sie alle Gefahren- und Warnhinweise. Nichtbeachtung kann zu schweren Verletzungen des Bedieners oder Schäden am Gerät führen.

Stellen Sie sicher, dass die durch dieses Messgerät bereitgestellte Sicherheit nicht beeinträchtigt wird. Verwenden bzw. installieren Sie das Messsystem nur wie in diesem Handbuch beschrieben.

## Bedeutung von Gefahrenhinweisen

### ▲ GEFAHR

Kennzeichnet eine mögliche oder drohende Gefahrensituation, die, wenn sie nicht vermieden wird, zum Tod oder zu schweren Verletzungen führen kann.



## ⚠ WARNHINWEIS

Kennzeichnet eine mögliche oder drohende Gefahrensituation, die, wenn sie nicht vermieden wird, zum Tod oder zu schweren Verletzungen führen kann.

## ⚠ VORSICHT



Kennzeichnet eine mögliche Gefahrensituation, die zu geringeren oder moderaten Verletzungen führen kann.

## HINWEIS

Kennzeichnet eine Situation, die, wenn sie nicht vermieden wird, das Gerät beschädigen kann. Informationen, die besonders beachtet werden müssen.

## Warnkennzeichen

Lesen Sie alle Aufkleber und Hinweisschilder, die am Gerät angebracht sind. Nichtbeachtung kann Verletzungen oder Beschädigungen des Geräts zur Folge haben. Für jedes auf dem Gerät angegebene Symbol ist ein Gefahren- oder Vorsichtshinweis in der Anleitung vorhanden.

	Dieses Symbol am Gerät weist auf Betriebs- und/oder Sicherheitsinformationen im Handbuch hin.
	Elektrogeräte, die mit diesem Symbol gekennzeichnet sind, dürfen ab 12. August 2005 nicht in öffentlichen europäischen Abfallsystemen entsorgt werden. Benutzer von Elektrogeräten müssen in Europa in Einklang mit lokalen und nationalen europäischen Regelungen (EU-Richtlinie 2002/98/EG) Altgeräte kostenfrei dem Hersteller zur Entsorgung zurückgeben. <i>Hinweis: Für die Rückgabe von Altgeräten, Zubehör und Zusatzausstattungen für eine Entsorgung/Recycling wenden Sie sich bitte an den Gerätehersteller oder Lieferanten, der Ihnen genaue Anweisungen dazu geben wird.</i>

## Produktübersicht

Die sensION™+ Messgeräte werden mit Sonden eingesetzt, um verschiedene Parameter in Wasser zu messen.

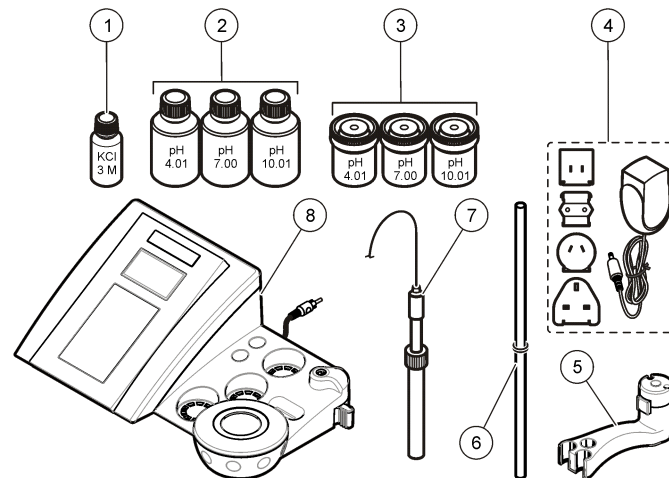
Das sensION™+ MM340-Messgerät hat zwei Messkanäle zum Messen von pH, ORP (mV) oder ISE (Konzentration) mit einer selektiven Sonde.

Messwertdaten können gespeichert und an einen Drucker oder PC übertragen werden.

## Produktkomponenten

Vergewissern Sie sich anhand von [Abbildung 1](#), dass alle Teile geliefert wurden. Wenn irgendwelche Positionen fehlen oder beschädigt sind, kontaktieren Sie bitte den Hersteller oder Verkäufer.

Abbildung 1 Komponenten des Messgeräts

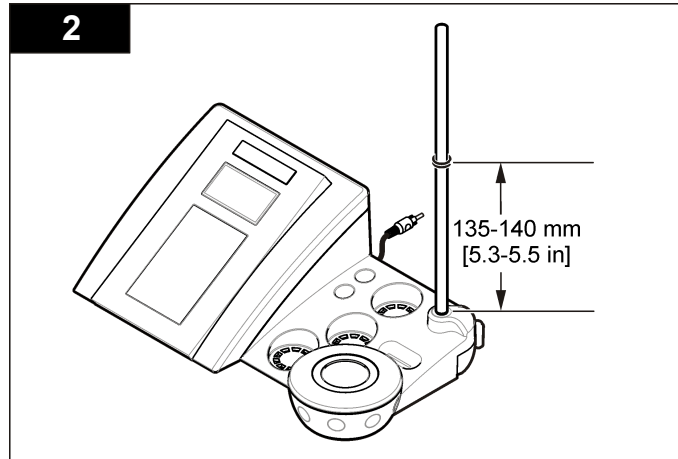
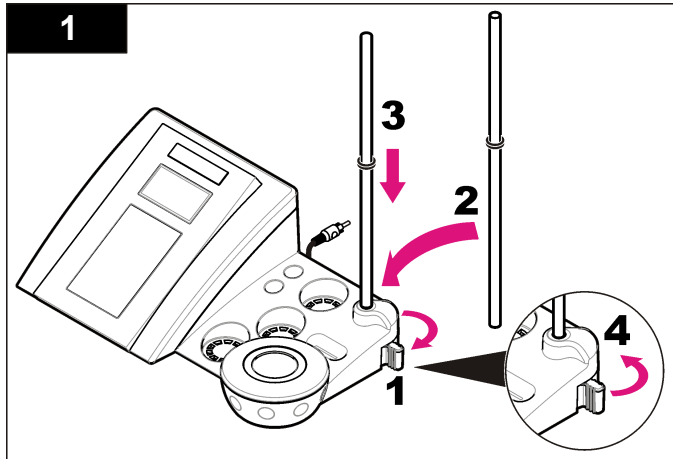


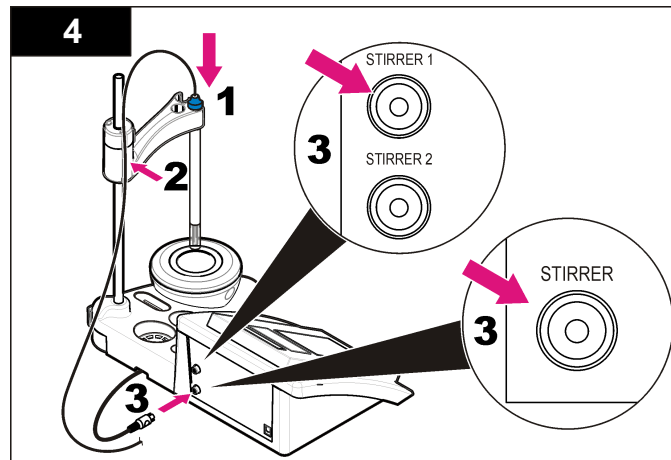
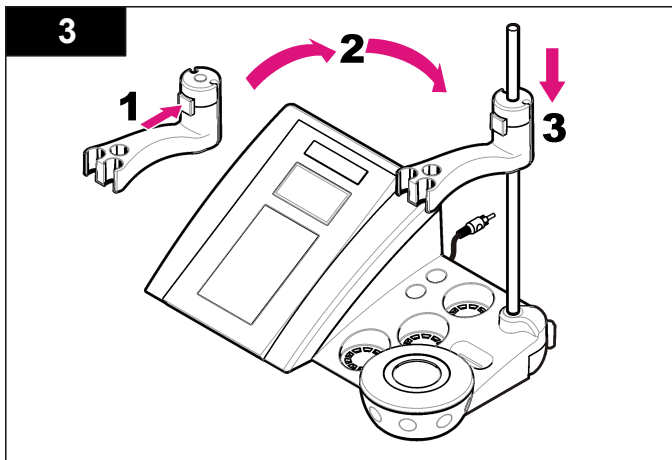
1 Elektrolyt für die Sonde	5 Sondenhalter
2 Pufferlösungen (pH 4,01, pH 7,00 und pH 10,01)	6 Stab mit Dichtungsring
3 Kalibrierbecher (innen mit Magnetstab)	7 Sonde (nur in Kits enthalten)
4 Netzteil	8 Messgerät

# Installation

## Zusammensetzen des Sondenhalters

Folgen Sie den nummerierten Schritten, um den Sondenhalter zusammenzusetzen und den Magnetrührer anzuschließen.





## Anschluss an die Netzversorgung

### ⚠ GEFÄHR

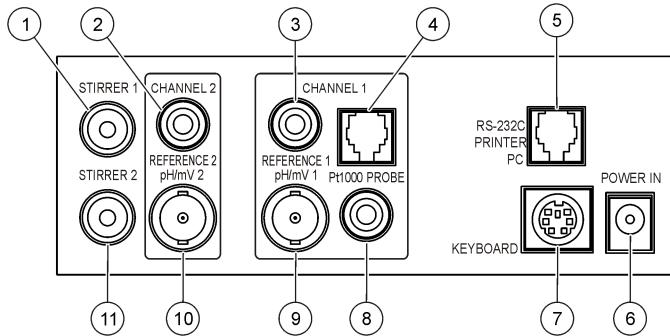


Lebensgefahr durch Stromschlag. Wenn dieses Gerät im Freien oder an potenziell feuchten Standorten eingesetzt wird, muss ein FI-Schutzschalter zum Anschluss an die Netzversorgung verwendet werden.

Das Messgerät kann über einen Universal- Netzadapter mit Netzspannung versorgt werden.

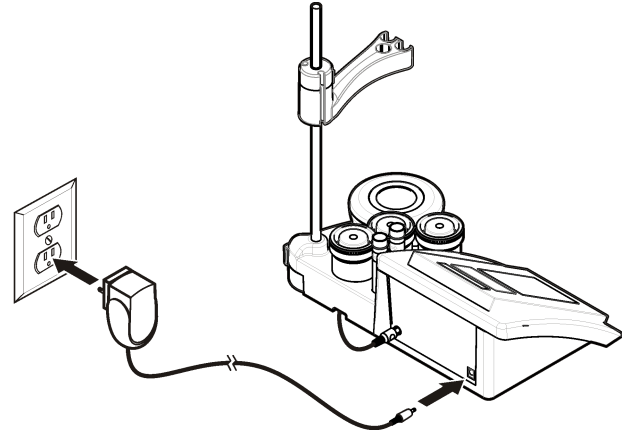
1. Wählen Sie aus dem Adaptersatz den zur Netzsteckdose passenden Adapterstecker aus.
2. Schließen Sie den Universal-Netzadapter an das Messgerät an ([Abbildung 2](#)).
3. Schließen Sie den Universal-Netzadapter an die Netzsteckdose an ([Abbildung 3](#)).
4. Schalten Sie das Messgerät ein.

**Abbildung 2 Anschlussfeld**



1 Anschluss für Magnetrührer 1, Kanal 1	7 Mini-DIN-Anschluss für PC-Tastatur
2 Anschluss für Referenzelektrode (getrennte Elektroden), Kanal 1	8 Anschluss für Temperatursonde, Kanal 2
3 Anschluss für Referenzelektrode (getrennte Elektroden), Kanal 2	9 Anschluss für kombinierte pH-Elektrode (oder -Indikator), Kanal 2
4 Anschluss für getrennte Temperatursonde, Kanal 2	10 Anschluss für kombinierte pH-Elektrode (oder -Indikator), Kanal 1
5 RS-232-Anschluss für Drucker oder PC	11 Anschluss für Magnetrührer 2, Kanal 2
6 Netzteil	

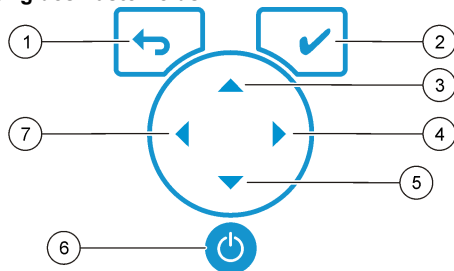
**Abbildung 3 AC-Netzanschluss**



# Benutzeroberfläche und Navigation

## Benutzeroberfläche

### Beschreibung des Tastenfelds

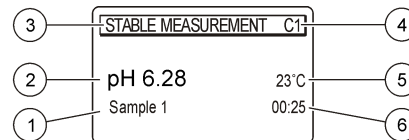


<p><b>1</b> Taste ZURÜCK: Abbrechen oder Verlassen des aktuellen Menübildschirms, um zum vorherigen Bildschirm zurückzukehren</p>	<p><b>5</b> Taste NACH UNTEN: Blättert zu einer anderen Option, ändert einen Wert</p>
<p><b>2</b> Taste MESSUNG: Bestätigen der ausgewählten Option</p>	<p><b>6</b> EIN/AUS: Schaltet das Messgerät ein bzw. aus</p>
<p><b>3</b> Taste NACH OBEN: Blättert zu einer anderen Option, ändert einen Wert</p>	<p><b>7</b> Taste NACH LINKS: Wechseln zwischen Kanal 1 und Kanal 2, Eingeben von Ziffern und Buchstaben</p>
<p><b>4</b> Taste NACH RECHTS: Wechseln zwischen Kanal 1 und Kanal 2, Eingeben von Ziffern und Buchstaben</p>	

## Displaybeschreibung

Das Display zeigt Konzentration, Einheiten, Temperatur, Kalibrierungsstatus, Bediener-ID, Proben-ID und Datum und Zeit an.

Abbildung 4 Einzelne Bildschirmanzeige



<b>1</b> Proben-ID	<b>4</b> Probentemperatur (°C oder °F)
<b>2</b> Messeinheit und Wert (pH, ORP (mV) oder ISE)	<b>5</b> Visueller Messungstimer
<b>3</b> Messmodus oder Datum und Zeit	

## Navigation

Verwenden Sie , um zum vorherigen Menü zurückzukehren. Verwenden Sie die Messtaste , um eine Probenmessung durchzuführen oder Optionen zu bestätigen. Verwenden Sie die Pfeiltasten , um zu anderen Optionen zu blättern oder einen Wert zu ändern. Ändern Sie die Parameter mit den Pfeiltasten und . Spezielle Anweisungen finden Sie jeweils zu den einzelnen Aufgaben.

## Starten des Systems

### Ein-/Ausschalten des Messgerätes

HINWEIS

Vergewissern Sie sich, dass die Sonde an das Messgerät angeschlossen wurde, bevor das Messgerät eingeschaltet wird.

Drücken Sie , um das Messgerät ein- oder auszuschalten. Wenn sich das Messgerät nicht einschalten lässt, vergewissern Sie sich, dass das AC-Netzteil korrekt in eine Steckdose eingesteckt ist.

## Ändern der Sprache

Die Anzeigensprache wird beim ersten Einschalten des Messgerätes ausgewählt.

1. Verwenden Sie ▲ oder ▼, um eine Sprache aus einer Liste auszuwählen.
2. Bestätigen Sie mit ✓. Der Messbildschirm zeigt DATENAUSGABE an.
3. Wählen Sie „Deaktiviert“, wenn kein Drucker oder PC angeschlossen ist, und bestätigen Sie die Auswahl. Weitere Informationen zur Datenausgabe finden Sie unter [Auswählen der Datenausgabe](#) auf Seite 29.

## Standardbetrieb

### Kalibrierung

#### ▲ WARNHINWEIS

Gefahr von Kontakt mit Chemikalien. Halten Sie sich an die Sicherheitsmaßnahmen im Labor, und tragen Sie Schutzkleidung entsprechend den Chemikalien, mit denen Sie arbeiten. Beachten Sie die Sicherheitsprotokolle in den aktuellen Materialsicherheitsdatenblättern (MSDS).

### Kalibrierungseinstellungen

Die Kalibrierungseinstellungen umfassen Kalibrierungstyp, Kalibrierungshäufigkeit und Anzeigeoptionen.

1. Wählen Sie im Hauptmenü mithilfe von ▲ oder ▼ KALIBRIERUNG aus. Bestätigen Sie die Auswahl.
2. Verwenden Sie ▲, um das Kalibrierungsmenü zu öffnen.
3. Verwenden Sie ▲ oder ▼, um die folgenden Optionen auszuwählen:

Optionen	Beschreibung
Stability C.:	Stabilitätskriterium – wählen Sie „Schnell“, „Standard“ oder „Streng“.

Optionen	Beschreibung
Kalibrierungstyp	Kalibrierungstyp – wählen Sie „Technische Puffer“, „DIN19266 Puffer“, „Verwende Puffer“, „Auf einen Wert X“, „Dateneinführung“ oder „Theoretische Kalibrierung“. Weitere Informationen finden Sie unter <a href="#">Calibration types</a> .
Frequenz Kal.	Kalibrierungserinnerung – kann zwischen 0 und 7 Tagen festgelegt werden (Standard ist täglich). Das Display zeigt die verbleibende Zeit bis zur neuen Kalibrierung. Weitere Informationen finden Sie unter <a href="#">Einstellen der Kalibrierungserinnerung</a> auf Seite 28.
Anzeige in mV	Anzeige in mV– wählen Sie JA oder NEIN, um mV anzuzeigen oder nicht.
Standard 220 mV	Standard 220 mV – Kalibrieren mit einer 220 mV-Standardlösung
Auf einen Wert X	Auf einen Wert X – Manuelle Neueinstellung des gemessenen pH-Wertes auf einen beliebigen Wert des Messbereichs. Passen Sie den Wert während der Kalibrierung an.
Dateneingabe	Manuelle Eingabe von Kalibrierdaten – Eingeben des Kompensationswerts
Werkseinstellung	Werkseinstellung – Eingeben des Kompensationswerts

### Kalibrierungstypen

Es können unterschiedliche Kalibrierungstypen ausgewählt werden.

1. Wählen Sie im Hauptmenü mithilfe von ▲ oder ▼ KALIBRIERUNG aus. Bestätigen Sie die Auswahl.
2. Verwenden Sie ▲, um das Kalibrierungsmenü zu öffnen.
3. Verwenden Sie ▲ oder ▼, um den Kalibrierungstyp auszuwählen.

Optionen	Beschreibung
Technical buffers	pH 2,00, 4,01, 7,00, 9,21 und 10.01 bei 25 °C
DIN19266 Buffers	(DIN19266-Puffer) pH 1,679, 4,006, 6,865, 7,000, 9,180, 10,012 und 12,454

Optionen	Beschreibung
<b>Verwende Puffer</b>	Diese Option ist ausgewählt, wenn keine technischen oder DIN19266-Puffer verwendet werden. pH-Werte spezifischer Puffersätze bei variierenden Temperaturen finden Sie unter <a href="#">Technische Pufferlösungen (DIN 19267)</a> auf Seite 37.
<b>Kalibrierung auf einen Wert X</b>	Zum manuellen Anpassen eines Skalierungswerts des gemessenen pH-Werts.
<b>Dateneingabe</b>	Manuelle Eingabe einer Sondenkonstante.
<b>Theoretische Kalibrierung</b>	Die Sondenkalibrierdaten werden bei 25 °C ersetzt.

## Kalibriervorgang

Dieser Vorgang gilt für die allgemeine Verwendung mit flüssigen Kalibrierlösungen. Weitere Informationen finden Sie in den Dokumenten im Lieferumfang der jeweiligen Sonde.

**Hinweis:** Lösungen sollten während der Kalibrierung gerührt werden. Weitere Informationen zu Rühreinstellungen finden Sie unter [Ändern der Rühreinstellungen](#) auf Seite 30.

1. Gießen Sie die Puffer oder Kalibrierlösungen in die beschrifteten Kalibrierbecher.
2. Wählen Sie im Hauptmenü mithilfe von ▲ oder ▼ sowie ◀ und ▶ den Parameter KALIBRIERUNG aus. Bestätigen Sie die Auswahl.
3. Wählen Sie gegebenenfalls die Bediener-ID (1 bis 10) aus und bestätigen Sie die Auswahl.
4. Reinigen Sie die Sonde mit deionisiertem Wasser, und geben Sie die Sonde in den ersten Kalibrierbecher. Achten Sie darauf, dass keine Luftblasen in der pH-sensitiven Glaskugel vorhanden sind.
5. Drücken Sie ✓, um die Kalibrierung zu starten.
6. Drücken Sie ✓, um die erste Kalibrierlösung zu messen. Die nächste Kalibrierlösung wird angezeigt.
7. Reinigen Sie die Sonde mit entionisiertem Wasser, und geben Sie die Sonde in den zweiten Kalibrierungsbecher. Achten Sie darauf,

dass keine Luftblasen in der pH-sensitiven Glaskugel vorhanden sind.

8. Drücken Sie ✓, um die zweite Kalibrierlösung zu messen. Die nächste Kalibrierlösung wird angezeigt.
9. Reinigen Sie die Sonde mit entionisiertem Wasser, und geben Sie die Sonde in den dritten Kalibrierungsbecher. Achten Sie darauf, dass keine Luftblasen in der pH-sensitiven Glaskugel vorhanden sind.
10. Drücken Sie ✓, um die dritte Kalibrierlösung zu messen. Wenn die Kalibrierung in Ordnung ist, zeigt das Display kurz „Kalibrierung OK“ an und kehrt dann zum Hauptmenü zurück.  
**Hinweis:** Wenn ein Drucker angeschlossen ist, wird das Druckmenü geöffnet, und das Ergebnis wird gedruckt.

## Anzeigen der Kalibrierungsdaten

Es können Daten der letzten Kalibrierung angezeigt werden.

1. Verwenden Sie im Hauptmenü ▲ oder ▼, um DATENLOGGER auszuwählen. Bestätigen Sie die Auswahl.
2. Wählen Sie „Daten anzeigen“.
3. Wählen Sie die Kalibrierungsdaten und bestätigen Sie die Auswahl mit ✓. Die letzten Kalibrierungsdaten werden angezeigt.
  - pH – Die Steilheit und das Asymmetriepotential werden im Wechsel mit der Abweichung (in %) und der Kalibrierungstemperatur angezeigt.
  - ORP – Der gemessene mV-Wert und die Kalibrierungstemperatur werden angezeigt.
  - Leitfähigkeit – Die Zellenkonstante und Kalibrierungstemperatur für jeden Standard werden angezeigt.

## Einstellen der Kalibrierungserinnerung

Die Kalibrierungserinnerung kann zwischen 1 und 23 Stunden oder 1 und 7 Tagen festgelegt werden (Standard 1 Tag). Das Display zeigt die verbleibende Zeit bis zur neuen Kalibrierung.

**Hinweis:** Bei Auswahl von 0 ist die Kalibrierungserinnerung ausgeschaltet.

1. Wählen Sie im Hauptmenü mithilfe von ▲ oder ▼ KALIBRIERUNG aus. Bestätigen Sie die Auswahl.
2. Verwenden Sie ▲, um das Kalibrierungsmenü zu öffnen.
3. Verwenden Sie ▲ oder ▼, um „Frequenz Kal.“ auszuwählen und bestätigen Sie die Auswahl.
4. Gehen Sie mit ◀ und ▶ zum nächsten Schritt weiter, und verwenden Sie ▲ oder ▼, um einen Wert zu ändern. Bestätigen Sie die Auswahl.  
Drücken Sie ✓, um die Kalibrierung zu beginnen.

## Probenmessungen

Für jede Sonde sind spezifische Schritte zur Vorbereitung und zur Durchführung von Probenmessungen erforderlich.

1. Wählen Sie im Hauptmenü mithilfe von ▲ oder ▼ sowie ◀ und ▶ MESSEN aus. Bestätigen Sie die Auswahl.
2. Verwenden Sie ▲, um die folgenden Einstellungen zu ändern. Bestätigen Sie jeden Eintrag.

Optionen	Beschreibung
<b>Auflösung</b>	Wählen Sie die Auflösung: 1, 0,1, 0,01 (Standard) oder 0,001.
<b>Messen</b>	(Messung) Stabilität – nach Stabilitätskriterium auswählen: Schnell (Abweichung < 0,02 pH in 6 s), Standard (Abweichung < 0,01 pH in 6 s) oder Streng (Abweichung < 0,002 pH in 6 s). Kontinuierlich – geben Sie das Zeitintervall für das kontinuierliche Erfassungs- Intervall (Datenspeicher oder Druckdaten) ein. Nach Zeit – geben Sie das Zeitintervall für Datenspeicher oder Druckdaten ein.
<b>Display mV</b>	mV anzeigen – wählen Sie JA oder NEIN, um mV anzuzeigen oder nicht.

Optionen	Beschreibung
<b>Grenzen</b>	Grenzen – wählen Sie JA oder NEIN. JA: Geben Sie die oberen und unteren Grenzwerte ein. Ein akustischer Warnhinweis ertönt, wenn die Messung außerhalb der Grenzen liegt. Die Berichtsangabe zeigt ein A neben dem gemessenen Wert, wenn die Messung außerhalb der Grenzen lag.
<b>Isopotential</b>	Isopotential – ändern Sie den Isopotenzial-pH-Wert in der Dateneinführung. Wählen Sie „Berechnen“, um die Sonde erneut zu kalibrieren.

3. Drücken Sie ✓, um die Messung zu beginnen.

**Hinweis:** Wenn sich die Messung nach 120 Sekunden nicht stabilisiert, geht das Messgerät automatisch in den kontinuierlichen Messmodus über.

## Fortgeschrittener Betrieb

### Ändern der Messeinheiten

Die Messeinheiten können für jeden Kanal einzeln geändert werden.

1. Wählen Sie im Hauptmenü mithilfe von ▲ oder ▼ SYSTEM aus. Bestätigen Sie die Auswahl.
2. Verwenden Sie ▲ oder ▼, um „Messeinheiten“ auszuwählen, und bestätigen Sie die Auswahl.
3. Wählen Sie „Kanal 1“ oder „Kanal 2“ und bestätigen Sie Ihre Auswahl.
4. Wählen Sie ORP (mV), pH oder ISE und bestätigen Sie die Auswahl.

### Verwenden einer Proben-ID

Die Proben-ID-Kennung wird verwendet, um Messungen einem bestimmten Probenort zuzuweisen. Wenn sie zugewiesen wurde, enthalten alle gespeicherten Daten diese ID.

1. Wählen Sie im Hauptmenü mithilfe von ▲ oder ▼ SYSTEM aus. Bestätigen Sie die Auswahl.
2. Verwenden Sie ▲ oder ▼, um „Proben ID“ auszuwählen, und bestätigen Sie die Auswahl.



- Wählen Sie mithilfe von ▲ oder ▼ Folgendes aus:

Optionen	Beschreibung
<b>Automatisch</b>	Jeder Probe wird automatisch eine fortlaufende Nummer zugewiesen.
<b>Manuel)</b>	Zum Eingeben des Proben-ID-Namens ist eine Tastatur oder ein Strichcode-Scanner erforderlich, bevor die Messung durchgeführt werden kann (maximal 15 Zeichen).

## Auswählen der Datenausgabe

Daten können gespeichert oder an einen Drucker oder PC übertragen werden.

- Wählen Sie im Hauptmenü mithilfe von ▲ oder ▼ SYSTEM aus. Bestätigen Sie die Auswahl.
- Verwenden Sie ▲ oder ▼, um Datenausgabe auszuwählen, und bestätigen Sie die Auswahl.
- Wählen Sie mithilfe von ▲ oder ▼ Folgendes aus:

Optionen	Beschreibung
<b>Deactivated</b>	Wählen Sie „Deaktiviert“, wenn kein Drucker oder PC angeschlossen ist.
<b>Für Drucker</b>	Wählen Sie „Punktmatrixdrucker“ oder „Thermodrucker“.
<b>Für Computer</b>	Wählen Sie „Terminal“, „LabCom“ oder „LabCom Easy“. Die LabCom-Software steuert mehrere Module, pH- und Leitfähigkeitsmessgeräte, automatische Messgläser, Sampler und so weiter über einen Computer. Die LabCom Easy-Software erfasst pH- und Leitfähigkeitsdaten von einem PC.

## Ändern von Datum und Zeit

Datum und Zeit können im Menü „Datum und Zeit“ geändert werden.

- Wählen Sie im Hauptmenü mithilfe von ▲ oder ▼ SYSTEM aus. Bestätigen Sie die Auswahl.

- Verwenden Sie ▲ oder ▼, um „Datum und Zeit“ auszuwählen, und bestätigen Sie die Auswahl.
- Gehen Sie mit ◀ und ▶ zum nächsten Schritt weiter, und verwenden Sie ▲ oder ▼, um einen Wert zu ändern. Bestätigen Sie die Auswahl. Das aktuelle Datum und die aktuelle Zeit werden im Display angezeigt.

## Einstellen des Anzeigekontrasts

- Wählen Sie im Hauptmenü mithilfe von ▲ oder ▼ SYSTEM aus. Bestätigen Sie die Auswahl.
- Verwenden Sie ▲ oder ▼, um „Display-Kontrast“ auszuwählen, und bestätigen Sie die Auswahl.
- Verwenden Sie ◀ oder ▶, um den Kontrast der Anzeige anzupassen, und bestätigen Sie die Auswahl.

## Anpassen der Temperatur

Die Temperaturmessung kann bei 25 °C bzw. 85 °C angepasst werden, um die Genauigkeit zu erhöhen.

- Geben Sie die Sonde und ein Referenzthermometer in einen Wasserbehälter mit etwa 25 °C und warten Sie, bis sich die Temperatur stabilisiert hat.
- Vergleichen Sie die vom Messgerät gelesene Temperatur mit der des Referenzthermometers. Der Unterschied ist der Anpassungswert für das Messgerät.  
Beispiel: Referenzthermometer: 24,5 °C; Messgerät: 24,3 °C. Anpassungswert: 0,2 °C.
- Geben Sie den Anpassungswert für die Ablesung von 25 °C ein:
  - Wählen Sie im Hauptmenü mithilfe von ▲ oder ▼ SYSTEM aus. Bestätigen Sie die Auswahl.
  - Verwenden Sie ▲ oder ▼, um „Nachregeln Temp.“ auszuwählen und bestätigen Sie Ihre Auswahl.
  - Wählen Sie „Kanal 1“ oder „Kanal 2“ und bestätigen Sie Ihre Auswahl. Die Temperatur für Kanal 1 wird von der

Leitfähigkeitszelle und für Kanal 2 von der pH-Sonde gemessen. Wenn keine Leitfähigkeitszelle angeschlossen ist, muss der Temperaturwert manuell eingegeben werden, oder die in Kanal 2 gemessene Temperatur kann auf das Messgerät angewendet werden.

- d. Verwenden Sie ▲ oder ▼, um 25 °C auszuwählen, und bestätigen Sie die Auswahl.
  - e. Geben Sie den Anpassungswert für 25 °C mithilfe der Pfeiltasten ein. Bestätigen Sie die Auswahl.
4. Geben Sie die Sonde und ein Referenzthermometer in einen Wasserbehälter mit etwa 85 °C und warten Sie, bis sich die Temperatur stabilisiert hat.
5. Vergleichen Sie die Temperatur vom Messgerät mit der des Referenzthermometers. Der Unterschied ist der Anpassungswert für das Messgerät.
- a. Verwenden Sie ▲ oder ▼, um 85 °C auszuwählen, und bestätigen Sie die Auswahl.
  - b. Geben Sie den Anpassungswert für 85 °C mithilfe der Pfeiltasten ein. Bestätigen Sie die Auswahl.
  - c. Wählen Sie „Änderungen speichern“ und bestätigen Sie die Auswahl.

## Ändern der Röhreinstellungen

Im Menü „Rühren“ kann der Magnetrührer eingeschaltet und die Rührgeschwindigkeit geändert werden.

1. Wählen Sie im Hauptmenü mithilfe von ▲ oder ▼ SYSTEM aus. Bestätigen Sie die Auswahl.
2. Verwenden Sie ▲ oder ▼, um „Rühren“ auszuwählen, und bestätigen Sie die Auswahl.
3. Drücken Sie zum Ein-/Ausschalten des Rührers ✓.
4. Wenn der Rührer ausgeschaltet ist, verwenden Sie ▲ oder ▼, um die Rührgeschwindigkeit in % anzuzeigen.

*Hinweis: Verwenden Sie ▲ oder ▼, um die Rührgeschwindigkeit während der Kalibrierung und während einer Messung zu ändern.*

## Ein-/ Ausschalten des Rührers

Der Rührer 1 arbeitet mit Kanal 1 und 2 (Rührer 1). Ein zweiter Rührer kann an Kanal 2 angeschlossen werden (Rührer 2). Beachten Sie zur Aktivierung des Rührers 2 die folgenden Schritte.

1. Wählen Sie im Hauptmenü mithilfe von ▲ oder ▼ SYSTEM aus. Bestätigen Sie mit ✓.
2. Verwenden Sie ▲ oder ▼, um Rührer Nr. 2 auszuwählen, und bestätigen Sie die Auswahl mit ✓.
3. Verwenden Sie ▲ oder ▼, um JA auszuwählen und den Rührer 2 einzuschalten.

*Hinweis: Wählen Sie NEIN, um den Rührer 2 auszuschalten.*

## Ändern der Temperatureinheiten

Die Temperatureinheiten können in Celsius oder Fahrenheit geändert werden.

1. Wählen Sie im Hauptmenü mithilfe von ▲ oder ▼ SYSTEM aus. Bestätigen Sie die Auswahl.
2. Verwenden Sie ▲ oder ▼, um „Temperatureinheit“ auszuwählen, und bestätigen Sie die Auswahl.
3. Verwenden Sie ▲ oder ▼, um Celsius oder Fahrenheit auszuwählen, und bestätigen Sie die Auswahl.

## Datenlogger

### Daten anzeigen

Der Speicher zur Datenanzeige enthält Messdaten, Elektrodenbericht und Kalibrierungsdaten. Die gespeicherten Daten können an einen Drucker oder PC gesendet werden. Wenn die Kapazität des Datenspeichers erreicht ist (330 Datenpunkte), wird der älteste Datenpunkt gelöscht, sobald ein neuer Datenpunkt hinzugefügt wird.

1. Verwenden Sie ◀ und ▶, um Kanal 1 oder Kanal 2 auszuwählen, und bestätigen Sie die Auswahl.

- Wählen Sie im Hauptmenü mithilfe von ▲ oder ▼ SYSTEM aus. Bestätigen Sie die Auswahl.
- Verwenden Sie ▲ oder ▼, um DATENLOGGER auszuwählen, und bestätigen Sie die Auswahl.
- Verwenden Sie ▲ oder ▼, um die „Daten anzeigen“ auszuwählen, und bestätigen Sie die Auswahl.
- Wählen Sie mithilfe von ▲ oder ▼ Folgendes aus:

Optionen	Beschreibung
<b>Messdaten</b>	Messdaten – speichert automatisch immer dann, wenn eine Probenmessung durchgeführt wird.
<b>Elektroden-Historie</b>	Elektroden-Historie – speichert den Elektrodenverlauf und die Messbedingungen automatisch
<b>Kalibrierdaten</b>	Kalibrierdaten – speichert die aktuelle Kalibrierung automatisch

## Daten löschen

Die gesamten Messdaten oder das Elektroden-Berichtprotokoll können gelöscht werden, um Daten zu entfernen, die bereits an einen Drucker oder PC gesendet wurden.

- Wählen Sie im Hauptmenü mithilfe von ▲ oder ▼ SYSTEM aus. Bestätigen Sie die Auswahl.
- Verwenden Sie ▲ oder ▼, um DATENLOGGER auszuwählen, und bestätigen Sie die Auswahl.
- Verwenden Sie ▲ oder ▼, um „Löschen“-auszuwählen, und bestätigen Sie die Auswahl.
- Verwenden Sie ▲ oder ▼, um „Messdaten“ oder „Elektroden-Historie“ auszuwählen, und bestätigen Sie die Auswahl. Bestätigen Sie erneut, um die Daten zu löschen. Der gesamte Speicher wird mit einem Mal gelöscht.

## Daten an einen Drucker oder PC senden

### HINWEIS

Die Datenausgabe (Drucker oder PC) muss zunächst ausgewählt werden, damit das Menü „Drucken“ verfügbar ist (siehe [Auswählen der Datenausgabe](#) auf Seite 29).

**Hinweis:** Siehe [Berichtsausgabe](#) auf Seite 31, um den Berichtausgabetypp auszuwählen.

- Wählen Sie im Hauptmenü mithilfe von ▲ oder ▼ SYSTEM aus. Bestätigen Sie die Auswahl.
- Verwenden Sie ▲ oder ▼, um DATENLOGGER auszuwählen, und bestätigen Sie die Auswahl.
- Verwenden Sie ▲ oder ▼, um „Drucken“-auszuwählen, und bestätigen Sie die Auswahl. Wählen Sie eine der folgenden Optionen und bestätigen Sie die Auswahl mit ✓, um die Daten zu drucken: Messdaten, Elektroden-daten, Kalibrier-Daten, Kalibrier-Historie oder Instrument Zustand.

## Berichtsausgabe

### HINWEIS

Die Datenausgabe (Drucker oder PC) muss zunächst ausgewählt werden, damit das Menü „Report-Typ“ verfügbar ist (siehe [Auswählen der Datenausgabe](#) auf Seite 29).

Es können unterschiedliche Berichtsausgabetypen ausgewählt werden, wenn ein Drucker oder PC angeschlossen ist.

- Wählen Sie im Hauptmenü mithilfe von ▲ oder ▼ SYSTEM aus. Bestätigen Sie die Auswahl.
- Verwenden Sie ▲ oder ▼, um „Report-Typ“ auszuwählen, und bestätigen Sie die Auswahl.

3. Wenn ein Drucker oder ein Computer und Endgerät angeschlossen sind, wählen Sie mithilfe von ▲ oder ▼ Folgendes aus:

Optionen	Beschreibung
<b>Reduziert</b>	Wählen Sie „Mehrere Proben“ oder „Eine Probe“ als Ausgabeformat.
<b>Standard</b>	Wählen Sie „Mehrere Proben“ oder „Eine Probe“ als Ausgabeformat. Wählen Sie mehrere: <b>Benutzer:</b> Der Name des Benutzers wird auf dem gedruckten Bericht angezeigt (17 Zeichen). <b>Überschrift:</b> Der Name des Unternehmens kann als Überschrift (40 Zeichen) hinzugefügt werden und wird auf dem gedruckten Bericht angezeigt. <b>Identifiziere Sensor:</b> Das Sensormodell und die Seriennummer des Sensors können hinzugefügt werden und werden auf dem gedruckten Bericht angezeigt.
<b>GLP</b>	Wählen Sie „Mehrere Proben“ oder „Eine Probe“ als Ausgabeformat. Wählen Sie mehrere: <b>Benutzer:</b> Der Name des Benutzers wird auf dem gedruckten Bericht angezeigt (17 Zeichen). <b>Überschrift:</b> Der Name des Unternehmens kann als Überschrift (40 Zeichen) hinzugefügt werden und wird auf dem gedruckten Bericht angezeigt. <b>Identifiziere Sensor:</b> Das Sensormodell und die Seriennummer des Sensors können hinzugefügt werden und werden auf dem gedruckten Bericht angezeigt.

4. Wenn ein Computer angeschlossen ist und LabCom Easy (weitere Informationen finden Sie unter [Auswählen der Datenausgabe](#) auf Seite 29) ausgewählt wurde, wählen Sie mithilfe von ▲ oder ▼ Folgendes aus:

Optionen	Beschreibung
<b>Benutzer</b>	Der Name des Benutzers wird auf dem gedruckten Bericht angezeigt (17 Zeichen).
<b>Identifiziere Sensor</b>	Das Sensormodell und die Seriennummer des Sensors können hinzugefügt werden und werden auf dem gedruckten Bericht angezeigt.

## Wartung

### ▲ WARNHINWEIS

Mehrere Gefahren. Nehmen Sie das Gerät nicht zur Wartung auseinander. Falls eine Reinigung oder Instandsetzung von externen Bauteilen erforderlich ist, wenden Sie sich an den Hersteller.

### ▲ VORSICHT

Verletzungsgefahr. Nur qualifiziertes Personal sollte die in diesem Kapitel der Bedienungsanleitung beschriebenen Aufgaben durchführen.

## Reinigen des Geräts

### HINWEIS

Verwenden Sie zum Reinigen des Geräts, einschließlich von Display und Zubehör, keine Reinigungsmittel wie Terpentin, Azeton oder ähnliche Produkte.

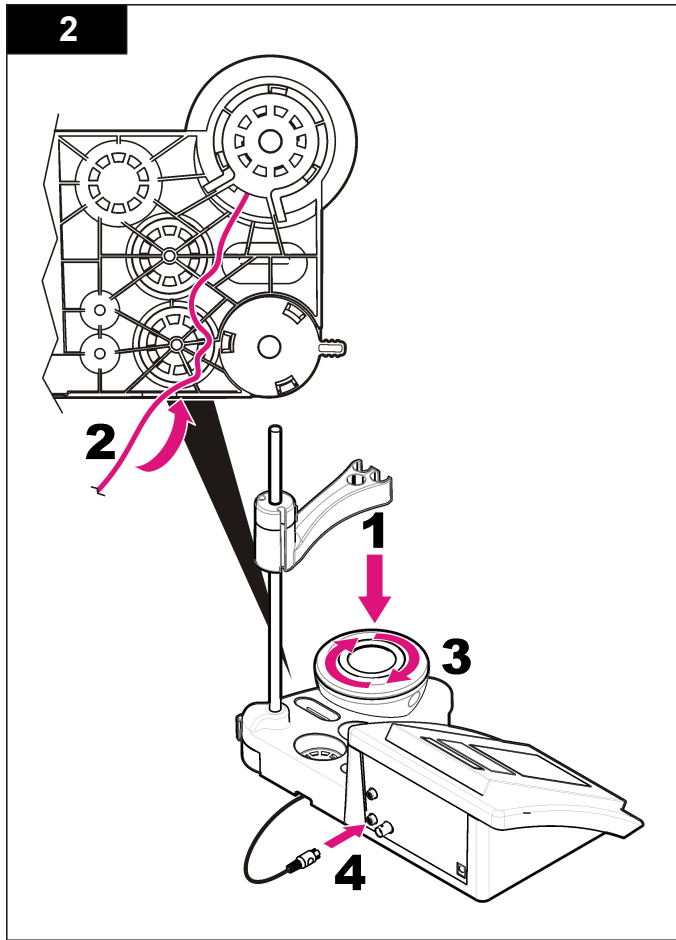
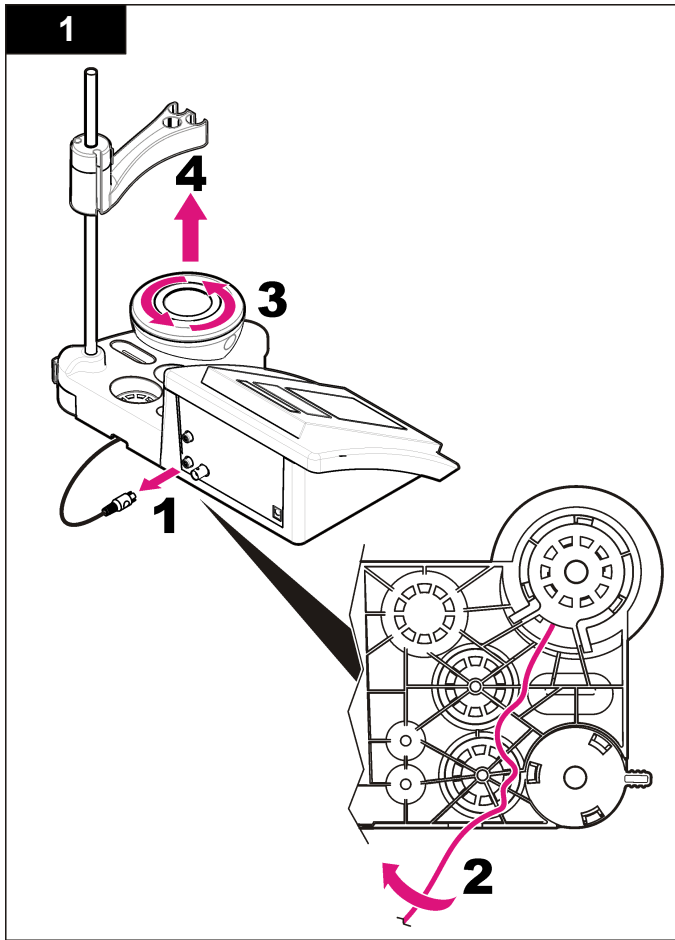
Reinigen Sie das Gerät mit einer milden Seifenlösung und einem feuchten Tuch.

## Reinigen der Sonde

Reinigen Sie die Sonde bei Bedarf. Weitere Informationen zur Reinigung finden Sie unter [Fehlersuche und Behebung](#) auf Seite 34. Informationen zur Wartung der Sonde finden Sie in der Sondendokumentation.

## Ersetzen des Magnetrührers

Wenn der Magnetrührer nicht startet, folgen Sie den nummerierten Schritten zum Ersetzen des Magnetrührers.



## Fehlersuche und Behebung

Die folgende Tabelle beschreibt allgemeine Problemmeldungen oder Symptome, mögliche Ursachen sowie Abhilfemaßnahmen.

**Tabelle 1 Kalibrierungswarnungen und -fehler**

Fehler/Warnung	Lösung
Asymmetrie > 58 mV	Steilheit außerhalb des Bereichs (akzeptierte Werte $\pm 58$ mV). Führen Sie die Kalibrierung erneut durch. Schließen Sie eine neue Probe an.
Puffer oder Elektrode in schlechtem Zustand	Prüfen Sie die Messzelle: Reinigen Sie die Messzelle (siehe <a href="#">Reinigen der Sonde</a> auf Seite 32, um weitere Informationen zu erhalten); vergewissern Sie sich, dass sich keine Luftblasen in der pH-sensitiven Glaskugel befinden. Schütteln Sie die Messzelle wie ein Thermometer; schließen Sie eine andere Messzelle an, um den Fehler auf Messzelle oder Messgerät einzugrenzen.  Prüfen Sie die Standardlösung: Vergewissern Sie sich, dass der verwendete Standard mit dem in der Konfiguration spezifizierten Standard übereinstimmt; prüfen Sie die Temperaturspezifikation in der Konfiguration; verwenden Sie eine neue Standardlösung.
PUFFER NICHT ERKANNT	Führen Sie die Kalibrierung erneut durch.
Sens. (a) < 70 %	Prüfen Sie die Messzelle: Reinigen Sie die Messzelle (siehe <a href="#">Reinigen der Sonde</a> auf Seite 32, um weitere Informationen zu erhalten); vergewissern Sie sich, dass sich keine Luftblasen in der pH-sensitiven Glaskugel befinden. Schütteln Sie die Messzelle wie ein Thermometer; schließen Sie eine andere Messzelle an, um den Fehler auf Messzelle oder Messgerät einzugrenzen.  Prüfen Sie die Pufferlösung: Vergewissern Sie sich, dass der verwendete Puffer mit dem in der Konfiguration spezifizierten Standard übereinstimmt; prüfen Sie die Temperaturspezifikation in der Konfiguration; verwenden Sie eine neue Pufferlösung.

**Tabelle 1 Kalibrierungswarnungen und -fehler (fortgesetzt)**

Fehler/Warnung	Lösung
MESSUNG NICHT STABIL Zeit t > 100 s	Führen Sie die Kalibrierung erneut durch.  Prüfen Sie die Sonde: Reinigen Sie die Messzelle (siehe <a href="#">Reinigen der Sonde</a> auf Seite 32, um weitere Informationen zu erhalten); vergewissern Sie sich, dass sich keine Luftblasen in der pH-sensitiven Glaskugel befinden. Schütteln Sie die Sonde wie ein Thermometer; schließen Sie eine andere Messzelle an, um den Fehler auf Messzelle oder Messgerät einzugrenzen.  Vergewissern Sie sich, dass die pH-sensitiven Glaskugel und das Diaphragma korrekt in die Probe eingetaucht sind.
Temperatur prüfen. Elektrode prüfen	Überprüfen Sie die Temperaturspezifikation in der Konfiguration.  Prüfen Sie die Messzelle: Reinigen Sie die Messzelle (siehe <a href="#">Reinigen der Sonde</a> auf Seite 32, um weitere Informationen zu erhalten); vergewissern Sie sich, dass sich keine Luftblasen in der pH-sensitiven Glaskugel befinden. Schütteln Sie die Messzelle wie ein Thermometer; schließen Sie eine andere Messzelle an, um den Fehler auf Messzelle oder Messgerät einzugrenzen.

**Tabelle 1 Kalibrierungswarnungen und -fehler (fortgesetzt)**

Fehler/Warnung	Lösung
Elektrode in schlechtem Zustand	Prüfen Sie die Messzelle: Reinigen Sie die Messzelle (siehe <a href="#">Reinigen der Sonde</a> auf Seite 32, um weitere Informationen zu erhalten); vergewissern Sie sich, dass sich keine Luftblasen in der pH-sensitiven Glaskugel befinden. Schütteln Sie die Sonde wie ein Thermometer; schließen Sie eine andere Sonde an, um den Fehler auf Sonde oder Messgerät einzugrenzen.
Elektrode prüfen	
STANDARD WIEDERHOLEN	Führen Sie die Kalibrierung erneut durch. Prüfen Sie die Sonde: Reinigen Sie die Messzelle (siehe <a href="#">Reinigen der Sonde</a> auf Seite 32, um weitere Informationen zu erhalten); vergewissern Sie sich, dass sich keine Luftblasen in der pH-sensitiven Glaskugel befinden. Schütteln Sie die Messzelle wie ein Thermometer; schließen Sie eine andere Messzelle an, um den Fehler auf Messzelle oder Messgerät einzugrenzen.  Prüfen Sie die Pufferlösung: Verwenden Sie eine neue Pufferlösung.

**Tabelle 2 Messwarnungen und -fehler**

Fehler/Warnung	Lösung
pH 12,78 19 °C	Führen Sie die Kalibrierung erneut durch.
pH außerhalb des Bereichs	Prüfen Sie die Messzelle: Reinigen Sie die Messzelle (siehe <a href="#">Reinigen der Sonde</a> auf Seite 32, um weitere Informationen zu erhalten); vergewissern Sie sich, dass sich keine Luftblasen in der pH-sensitiven Glaskugel befinden. Schütteln Sie die Messzelle wie ein Thermometer; schließen Sie eine andere Sonde an, um den Fehler auf Messzelle oder Messgerät einzugrenzen.
Temperatur außerhalb des Bereichs °C	Prüfen Sie den Temperatursensor. Schließen Sie eine andere Messzelle an, um den Fehler auf Messzelle oder Messgerät einzugrenzen.

**Tabelle 2 Messwarnungen und -fehler (fortgesetzt)**

Fehler/Warnung	Lösung
Zeit > 60 s	Vergewissern Sie sich, dass die pH-sensitiven Glaskugel und das Diaphragma korrekt in die Probe eingetaucht sind.  Prüfen Sie die Temperatur.  Prüfen Sie die Messzelle: Reinigen Sie die Messzelle (siehe <a href="#">Reinigen der Sonde</a> auf Seite 32, um weitere Informationen zu erhalten); vergewissern Sie sich, dass sich keine Luftblasen in der pH-sensitiven Glaskugel befinden. Schütteln Sie die Messzelle wie ein Thermometer; schließen Sie eine andere Messzelle an, um den Fehler auf Messzelle oder Messgerät einzugrenzen.
Zeit > 150 s	
Zeit > 300 s	
10,389 mg/l >>>>> 00012 00:13	ISE-Messung: Der gemessene Wert liegt über dem höchsten bei der Kalibrierung verwendeten Standard. Führen Sie die Messung erneut durch.
0,886 mg/l <<<<<< 00018 00:11	ISE-Messung: Der gemessene Wert liegt unter dem niedrigsten bei der Kalibrierung verwendeten Standard. Führen Sie die Messung erneut durch.

## Ersatzteile und Zubehör

*Hinweis: Produkt- und Artikelnummern können für einige Verkaufsgebiete abweichen. Wenden Sie sich an den zuständigen Distributor oder schlagen Sie die Kontaktinformationen auf der Webseite des Unternehmens nach.*

### Ersatzteile

Beschreibung	Bestellnr.
sensION+ PH3 Lab pH-Messgerät mit Zubehör, ohne Sonde	LPV2000.98.0002
sensION+ PH31 Lab pH-Messgerät, GLP, mit Zubehör, ohne Sonde	LPV2100.98.0002
sensION+ MM340 Lab pH- & Ionenmessgerät, GLP, 2 Kanäle, mit Zubehör, ohne Sonde	LPV2200.98.0002

## Ersatzteile und Zubehör (fortgesetzt)

Beschreibung	Bestellnr.
sensION+ EC7 Lab Leitfähigkeitsmessgerät, mit Zubehör, ohne Sonde	LPV3010.98.0002
sensION+ EC71 Lab Leitfähigkeitsmessgerät, GLP, mit Zubehör, ohne Sonde	LPV3110.98.0002
sensION+ MM374, 2-Kanal-Lab-Messgerät, GLP, Zubehör, ohne Sonden	LPV4110.98.0002

## Verbrauchsmaterial

Beschreibung	Bestellnr.
pH-Pufferlösung 4,01, 125 mL	LZW9460.99
pH-Pufferlösung 7,00, 125 mL	LZW9461.98
pH-Pufferlösung 10,01, 125 mL	LZW9470.99
pH-Pufferlösung 4,01, 250 mL	LZW9463.99
pH-Pufferlösung 7,00, 250 mL	LZW9464.98
pH-Pufferlösung 10,01, 250 mL	LZW9471.99
pH-Pufferlösung 4,01, 1000 mL	LZW9466.99
pH-Pufferlösung 7,00, 1000 mL	LZW9467.98
pH-Pufferlösung 10,01, 1000 mL	LZW9472.99
Elektrolytlösung (KCl 3M), 125 mL	LZW9510.99
Elektrolytlösung (KCl 3M), 250 mL	LZW9500.99
Elektrolytlösung (KCl 3M), 50 mL	LZW9509.99
Elektrolytlösung 0,1 M, 125 mL	LZW9901.99
Enzymlösung	2964349
Pepsin-Reinigungslösung	2964349

## Ersatzteile und Zubehör (fortgesetzt)

Beschreibung	Bestellnr.
Elektrodenreinigungslösung	2965249
0,1 N HCl-Lösung	1481253

## Zubehör

Beschreibung	Bestellnr.
Thermodrucker, RS232, für sensION+ Benchtop	LZW8201.99
Thermopapier für Drucker LZW8201, Tasche mit 5 Rollen	LZW9117.99
Punkt-Anschlag-Drucker, RS232, für sensION+ Geräte	LZW8200.99
Standardpapier für Drucker LZW8200, Tasche mit 10 Rollen	LZW9000.99
Band für Drucker LZW8200, 3 Einheiten	LZW9001.99
LabCom Easy PC SW, für sensION+ GLP, CD, Kabel, USB-Adapter	LZW8997.99
LabCom PC SW, für sensION+ GLP, CD, Kabel, USB-Adapter	LZW8999.99
RS232-Kabel, für sensION+ Benchtop-Geräte	LZW9135.99
RS232-Kabel für sensION+ Benchtop, mit USB-Adapter	LZW9135USB.99
Magnetrührer mit Sensorhalter, für sensION+ MM Benchtop	LZW9319.99
3x50 mL bedruckte Becher für Benchtop pH-Kalibrierung	LZW9110.98
Halter für drei Sensoren, für sensION+ Benchtop-Geräte	LZW9321.99
Halter und Klammer für drei Sensoren	LZW9155.99
Pyrex-Glaskammer, kontinuierliche Flussmessung	LZW9118.99
PP-Schutz, Elektrodenaufbewahrung	LZW9161.99



## Standardlösungen

### Technische Pufferlösungen (DIN 19267)

pH- und ORP- (mV) Werte spezifischer Puffersätze bei variierenden Temperaturen finden Sie unter [Tabelle 3](#).

**Tabelle 3 pH-, ORP- (mV) und Temperaturwerte**

Temperatur		pH					mV
°C	°F						
0	32	2,01	4,01	7,12	9,52	10,30	—
10	50	2,01	4,00	7,06	9,38	10,17	245
20	68	2,00	4,00	7,02	9,26	10,06	228
<b>25</b>	<b>77</b>	<b>2,00</b>	<b>4,01</b>	<b>7,00</b>	<b>9,21</b>	<b>10,01</b>	<b>220</b>
30	86	2,00	4,01	6,99	9,16	9,96	212
40	104	2,00	4,03	6,97	9,06	9,88	195
50	122	2,00	4,06	6,97	8,99	9,82	178
60	140	2,00	4,10	6,98	8,93	9,76	160
70	158	2,01	4,16	7,00	8,88	—	—
80	176	2,01	4,22	7,04	8,83	—	—
90	194	2,01	4,30	7,09	8,79	—	—

### Pufferlösungen (DIN 19266)

pH- und ORP- (mV) Werte spezifischer Puffersätze bei variierenden Temperaturen finden Sie unter [Tabelle 4](#).

**Tabelle 4 pH-, ORP- (mV) und Temperaturwerte**

Temperatur		pH					mV	
°C	°F							
5	32	1,668	4,004	6,951	7,087	9,395	10,245	13,207
10	50	1,670	4,000	6,923	7,059	9,332	10,179	13,003
20	68	1,675	4,001	6,881	7,016	9,225	10,062	12,627
<b>25</b>	<b>77</b>	<b>1,679</b>	<b>4,006</b>	<b>6,865</b>	<b>7,000</b>	<b>9,180</b>	<b>10,012</b>	<b>12,454</b>
30	86	1,683	4,012	6,853	6,987	9,139	9,966	12,289
40	104	1,694	4,031	6,838	6,970	9,068	9,889	11,984
50	122	1,707	4,057	6,833	6,964	9,011	9,828	11,705
60	140	1,723	4,085	6,836	6,968	8,962	—	11,449
70	158	1,743	4,126	6,845	6,982	8,921	—	—
80	176	1,766	4,164	6,859	7,004	8,885	—	—
90	194	1,792	4,205	6,877	7,034	8,850	—	—

## Dati tecnici

I dati tecnici sono soggetti a modifiche senza preavviso.

Specifiche	Dettagli
Dimensioni	35 x 20 x 11 cm (13,78 x 7,87 x 4,33 pollici)
Peso	1100 g (2,43 lb)
Dispositivo di misurazione	IP42
Requisiti di alimentazione (esterna)	100-240 V, 0,4 A, 47-63 Hz
Classe di protezione dello strumento	Classe II
Temperatura di conservazione	Da -15 a +65° C (da 5 a +149° F)
Temperatura di funzionamento	da 0 a 40° C (da 41 a 104° F)
Umidità di esercizio	< 80% (senza condensa)
Risoluzione	pH: 0,1/0,01/0,001, ORP: 0,1/1 mV, ISE: programmabile, temperatura: 0,1° C (0,18° F)
Errore misure (± 1 cifra)	pH: ≤ 0,002, ORP: ≤ 0,2 mV, temperatura: ≤ 0,2° C (≤ 0,36° F)
Riproducibilità (± 1 cifra)	pH: ± 0,001, ORP: ± 0,1 mV, temperatura: ± 0,1° C (± 0,18° F)
Archivio dati	330 risultati e ultime 9 calibrazioni
Collegamenti	Sonda indicatore o combinata: connettore BNC (Imp. >10 <sup>12</sup> Ω); 2 elettrodi di riferimento: connettore a banana; tipo A.T.C. Pt 2: connettore a banana o telefonico; miscelatore magnetico: connettore RCA; 2 miscelatori magnetici: connettore RCA
Correzione della temperatura	Manuale, sonda temperatura Pt 1000 (A.T.C.), pH isopotenziale programmabile, valore standard 7,00

Specifiche	Dettagli
Blocco di visualizzazione delle misurazioni	Misurazione continua, per stabilità
Display	A cristalli liquidi, retroilluminato, 128 x 64 punti
Tastiera	PET con trattamento protettivo
Certificazione	CE

## Informazioni generali

Le edizioni riviste sono presenti nel sito Web del produttore.

## Informazioni sulla sicurezza

### AVVISO

Il produttore non sarà ritenersi responsabile in caso di danni causati dall'applicazione errata o dall'uso errato di questo prodotto inclusi, a puro titolo esemplificativo e non limitativo, i danni incidentali e consequenziali; inoltre declina qualsiasi responsabilità per tali danni entro i limiti previsti dalle leggi vigenti. La responsabilità relativa all'identificazione dei rischi critici dell'applicazione e all'installazione di meccanismi appropriati per proteggere i processi in caso di eventuale malfunzionamento dell'apparecchiatura compete unicamente all'utilizzatore.

Prima di disimballare, installare o utilizzare l'apparecchio, si prega di leggere l'intero manuale. Si raccomanda di leggere con attenzione e rispettare le istruzioni riguardanti possibili pericoli o note cautelative. La non osservanza di tali indicazioni potrebbe comportare lesioni gravi dell'operatore o danni all'apparecchio.

Assicurarsi che la protezione fornita da questa apparecchiatura non sia danneggiata. Non utilizzare o installare questa apparecchiatura in modo diverso da quanto specificato nel presente manuale.

## Utilizzo dei segnali di pericolo

### ▲ PERICOLO

Indica una situazione di pericolo potenziale o imminente che, se non evitata, potrebbe causare lesioni gravi o la morte.

## ⚠ AVVERTENZA

Indica una situazione di pericolo potenziale o imminente che, se non evitata, potrebbe comportare lesioni gravi, anche mortali.

## ⚠ ATTENZIONE



Indica una situazione di pericolo potenziale che potrebbe comportare lesioni lievi o moderate.

## AVVISO

Indica una situazione che, se non evitata, può danneggiare lo strumento. Informazioni che richiedono particolare attenzione da parte dell'utente.

### Segnali di avviso

Leggere sempre tutte le etichette e le targhette di avvertenza applicate sull'apparecchio. La mancata osservanza delle stesse può causare lesioni personali o danni allo strumento. Ad ogni simbolo riportato sullo strumento corrisponde un'indicazione di pericolo o avvertenza segnalata sul manuale.

	Tale simbolo, se apposto sullo strumento, fa riferimento al manuale delle istruzioni per il funzionamento e/o informazioni sulla sicurezza.
	Apparecchiature elettriche con apposto questo simbolo non possono essere smaltite in impianti di smaltimento pubblici europei dopo il 12 agosto 2005. In conformità ai regolamenti europei locali e nazionali (a norma della direttiva UE 2002/98/CE), gli utenti dovranno restituire le apparecchiature vecchie o non più utilizzabili al produttore, il quale è tenuto a provvedere allo smaltimento gratuito. <i>Nota: Per la restituzione al fine del riciclaggio, si prega di contattare il produttore dell'apparecchio o il fornitore, che indicheranno come restituire l'apparecchio usato, gli accessori elettrici forniti dal produttore e tutti gli altri accessori.</i>

### Panoramica del prodotto

I dispositivi di misurazione sensION™+ vengono utilizzati con le sonde per misurare diversi parametri dell'acqua.

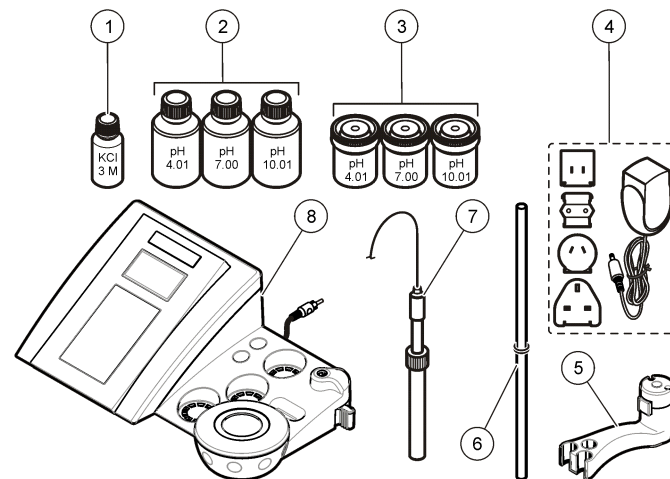
Il dispositivo di misurazione sensION™+ MM340 è dotato di due canali di misurazione per rilevare i valori di pH, ORP (mV) o ISE (concentrazione)

con una sonda selettiva. I dati di misurazione possono essere memorizzati e trasferiti a una stampante o a un PC.

### Componenti del prodotto

Fare riferimento alla [Figura 1](#) per accertarsi che la confezione sia completa. In caso manchi un componente o si notino dei danni, contattare immediatamente il produttore o il rappresentante.

Figura 1 Componenti dello strumento

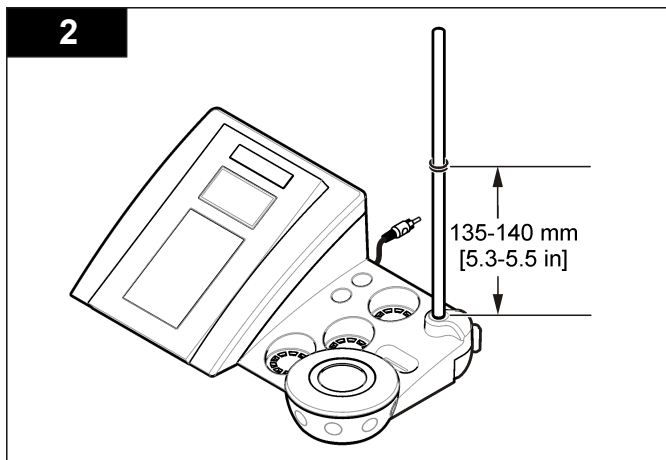
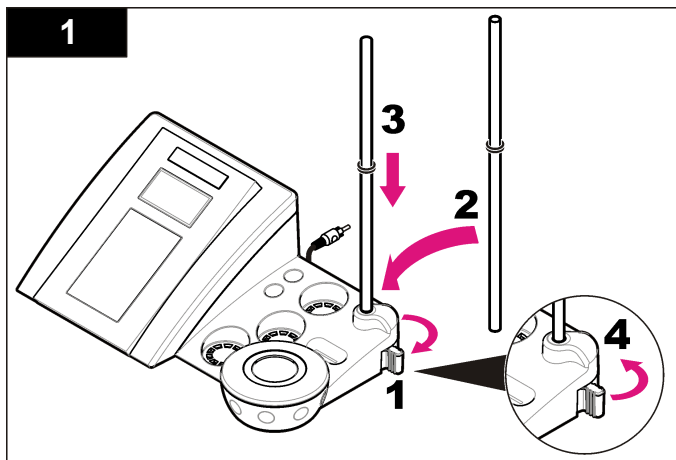


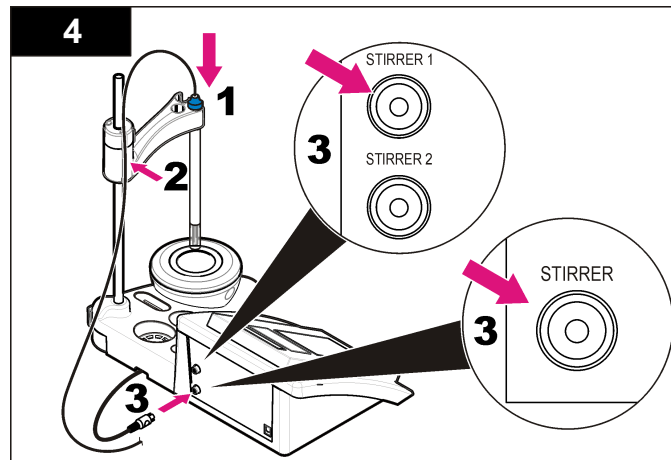
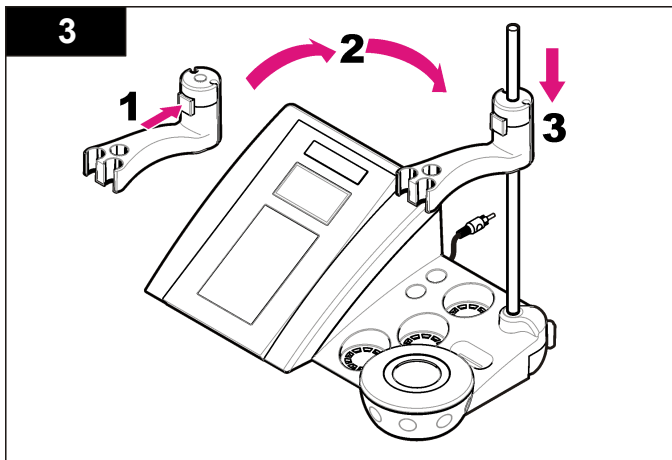
1 Elettrolita della sonda	5 Supporto della sonda
2 Soluzioni tampone (pH 4,01, pH 7,00 e pH 10,01)	6 Asta con o-ring
3 Beker di calibrazione (con barra magnetica integrata)	7 Sonda (inclusa solo con i kit)
4 Alimentatore	8 Dispositivo di misurazione

## Installazione


### Montaggio del supporto della sonda

Seguire la procedura numerata per montare il supporto della sonda e collegare il miscelatore magnetico.





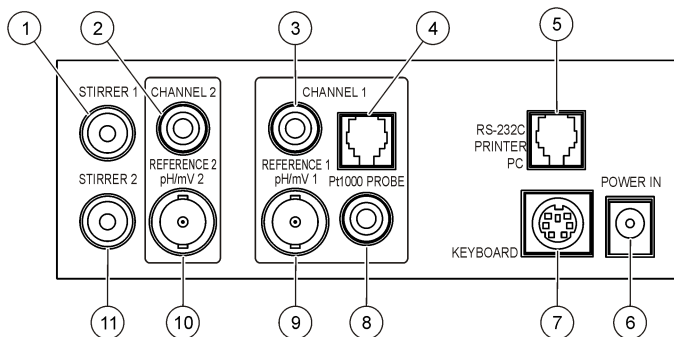
## Connettersi all'alimentazione CA

⚠ PERICOLO	
	<p>Rischio di scossa elettrica. Se questo apparecchio viene usato all'esterno o in posizioni potenzialmente umide, è necessario utilizzare un interruttore automatico differenziale per collegare l'apparecchio alla sorgente di alimentazione principale.</p>

Il dispositivo può essere alimentato da un alimentatore CA con adattatore di corrente universale.

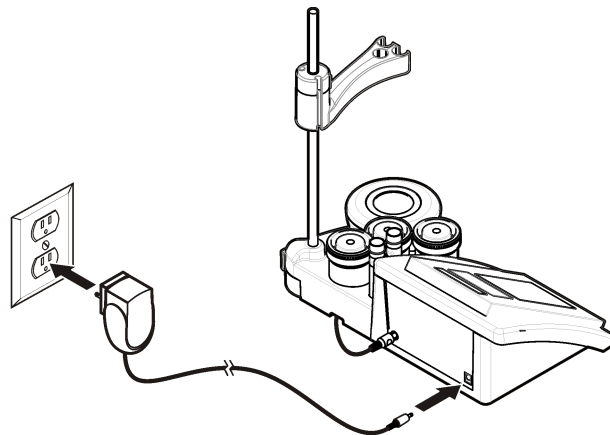
1. Selezionare l'adattatore corretto per la presa di corrente dal kit degli adattatori.
2. Collegare l'adattatore di corrente universale al dispositivo (Figura 2).
3. Collegare l'adattatore di corrente universale a una presa CA (Figura 3).
4. Accendere lo strumento.

**Figura 2 Pannello dei collegamenti**



<b>1</b> Connettore del miscelatore magnetico 1, Canale 1	<b>7</b> Connettore mini DIN per la tastiera di un PC
<b>2</b> Connettore dell'elettrodo di riferimento (elettrodi separati), Canale 1	<b>8</b> Connettore della sonda della temperatura, Canale 2
<b>3</b> Connettore dell'elettrodo di riferimento (elettrodi separati), Canale 2	<b>9</b> Connettore dell'elettrodo (o indicatore) pH combinato, Canale 2
<b>4</b> Connettore della sonda della temperatura separata, Canale 2	<b>10</b> Connettore dell'elettrodo (o indicatore) pH combinato, Canale 1
<b>5</b> RS-232 per il collegamento di stampanti o PC	<b>11</b> Connettore del miscelatore magnetico 2, Canale 2
<b>6</b> Alimentatore	

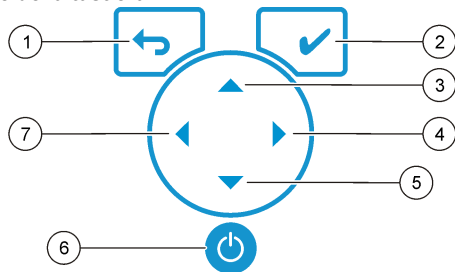
**Figura 3 Collegamento dell'alimentazione CA**



# Interfaccia utente e navigazione

## Interfaccia utente

### Descrizione della tastiera

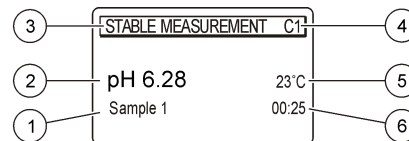


1 Tasto RETURN (Invio): per annullare o uscire dalla schermata del menu corrente e tornare alla schermata del menu precedente	5 Tasto DOWN (Giù): per scorrere le altre opzioni, modificare un valore
2 Tasto MEASUREMENT (Misurazione): per confermare l'opzione selezionata	6 ON/OFF: accensione o spegnimento del dispositivo
3 Tasto UP (Su): per scorrere le altre opzioni, modificare un valore	7 Tasto LEFT (Destra): per passare da Canale 1 a Canale 2 e viceversa, immettere numeri e lettere
4 Tasto RIGHT (Destra): per passare da Canale 1 a Canale 2 e viceversa, immettere numeri e lettere	

### Descrizione del display

Il display del dispositivo di misurazione mostra concentrazione, unità, temperatura, stato della calibrazione, ID operatore, ID campione, data e ora.

Figura 4 Display a schermata singola



1 ID campione	4 Temperatura del campione (°C o °F)
2 Unità di misura e valore (pH, ORP (mV) o ISE)	5 Timer di misurazione visivo
3 Modalità di misurazione o data e ora	

### Navigazione

Utilizzare per tornare al menu precedente. Utilizzare il tasto di misura per effettuare la misurazione di un campione o per confermare le opzioni. Utilizzare i tasti freccia per passare ad altre opzioni o per cambiare un valore. Per modificare le impostazioni utilizzare i tasti freccia e . Fare riferimento alle singole operazioni per istruzioni specifiche.

### Avvio

#### Accendere e spegnere il dispositivo di misura

AVVISO

Prima di accendere il dispositivo di misura, accertarsi che la sonda sia collegata ad esso.

Tenere premuto per accendere o spegnere il dispositivo di misura. Se il dispositivo di misura non si accende, accertarsi che l'alimentatore CA sia collegato adeguatamente a una presa elettrica.

## Cambiare la lingua

La lingua di visualizzazione viene selezionata quando lo strumento viene acceso per la prima volta.

1. Utilizzare ▲ o ▼ per selezionare una lingua dall'elenco.
2. Confermare con ✓. Sulla schermata di misurazione viene visualizzato DATA OUTPUT (USCITA DATI).
3. Se non è collegata alcuna stampante o PC, selezionare Deactivated (Disattivato) e confermare. Per ulteriori informazioni sui dati in uscita, fare riferimento a [Selezione dei dati in uscita](#) a pagina 47.

## Funzionamento standard

### Calibrazione

#### ⚠ AVVERTENZA

Rischio di esposizione chimica. Osservare le procedure di sicurezza del laboratorio e indossare tutti i dispositivi di protezione personale appropriati in relazione ai prodotti chimici utilizzati. Seguire tutte le schede di sicurezza dei materiali (MSDS) per i protocolli di sicurezza.

### Opzioni di calibrazione

Le opzioni di calibrazione sono Calibration type (Tipo calibrazione), Calibration frequency (Frequenza calibrazione) e Display options (Opzioni visualizzazione).

1. Per selezionare CALIBRATION (Calibrazione), utilizzare ▲ o ▼ dal menu principale. Confermare.
2. Utilizzare ▲ per tornare al menu di calibrazione.
3. Utilizzare ▲ o ▼ per selezionare le opzioni seguenti:

Opzione	Descrizione
<b>Stability C.:</b> (C. stabilità)	Criterio per stabilità, scegliere Fast (Veloce), Standard o Strict (Rigoroso).

Opzione	Descrizione
<b>Calibration type (Tipo calibrazione)</b>	Il tipo di calibrazione, scegliere Technical buffers (Soluzioni tampone tecniche), DIN19266 Buffers (Soluzioni tampone DIN19266), User Buffers (Soluzioni tampone utente), To a X value (A valore X), data introduction (Introduzione dati) o Theoretical calibration (Calibrazione teorica). Per ulteriori informazioni, fare riferimento a <a href="#">Calibration types</a> .
<b>Cal. frequency (Frequenza cal.)</b>	Promemoria della calibrazione, impostabile tra 0 e 7 giorni (per impostazione predefinita è giornaliera). Sullo schermo viene visualizzato il tempo che manca alla calibrazione successiva. Per ulteriori informazioni, fare riferimento a <a href="#">Impostazione del promemoria di calibrazione</a> a pagina 46.
<b>Display mV (mV schermo)</b>	mV sullo schermo, selezionare YES (SI) o NO per la visualizzazione del valore mV.
<b>Standard 220 mV</b>	Standard 220 mV, calibrazione con una soluzione standard a 220 mV.
<b>To a X value (A valore X)</b>	A un valore X, utilizzare una soluzione standard specifica. Regolare il valore durante la calibrazione.
<b>Data introduction (Introduzione dati)</b>	Introduzione dei dati di compensazione, immettere il valore di compensazione
<b>Factory adjust (Regolazione di fabbrica)</b>	La regolazione di fabbrica, immettere il valore di compensazione

### Tipi di calibrazione

È possibile scegliere tra diversi tipi di calibrazione.

1. Per selezionare CALIBRATION (Calibrazione), utilizzare ▲ o ▼ dal menu principale. Confermare.
2. Utilizzare ▲ per tornare al menu di calibrazione.



3. Utilizzare ▲ o ▼ per selezionare il tipo di calibrazione.

Opzione	Descrizione
<b>Technical buffers (Soluzioni tampone tecniche)</b>	pH 2,00, 4,01, 7,00, 9,21 e 10.01 a 25° C (77° F)
<b>DIN19266 Buffers (Soluzioni tampone DIN19266)</b>	pH 1,679, 4,006, 6,865, 7,000, 9,180, 10,012 e 12.454
<b>User Buffers (Soluzioni tampone utente)</b>	Da selezionare quando non si usano le soluzioni tampone tecniche o DIN19266. Fare riferimento ai valori di pH in <a href="#">Soluzioni tampone tecniche (DIN 19267)</a> a pagina 54 per i gruppi di soluzioni tampone specifiche a diverse temperature.
<b>To a X value (A valore X)</b>	Per regolare manualmente qualsiasi valore della scala del pH misurato.
<b>Data introduction (Introduzione dati)</b>	Introduzione manuale della costante della sonda.
<b>Theoretical calibration (Calibrazione teorica)</b>	I dati di calibrazione della sonda vengono sostituiti a 25° C (77° F).

### Procedura di calibrazione

Questa procedura si applica alle soluzioni di calibrazione dei liquidi di uso generale. Per ulteriori informazioni, fare riferimento ai documenti allegati a ciascuna sonda.

**Nota:** Durante la calibrazione le soluzioni devono essere miscelate. Per ulteriori informazioni sulle impostazioni di miscelazione, vedere [Modifica delle impostazioni di miscelazione](#) a pagina 48.

1. Versare le soluzioni tampone o di calibrazione nei beker per la calibrazione etichettati.
2. Per selezionare il parametro CALIBRATION (Calibrazione), utilizzare ▲ o ▼ e ◀ e ▶ dal menu principale. Confermare.
3. Se necessario, selezionare l'ID operatore (da 1 a 10) e confermare.
4. Risciacquare la sonda con acqua deionizzata e inserirla nel primo beker per la calibrazione. Accertarsi che non vi siano bolle d'aria nella membrana.
5. Premere ✓ per avviare la calibrazione.

6. Premere ✓ per effettuare la misura della prima soluzione di calibrazione. Viene mostrata la soluzione di calibrazione successiva.
7. Risciacquare la sonda con acqua deionizzata e inserirla nel secondo beker per la calibrazione. Accertarsi che non vi siano bolle d'aria nella membrana.
8. Premere ✓ per effettuare la misura della seconda soluzione di calibrazione. Viene mostrata la soluzione di calibrazione successiva.
9. Risciacquare la sonda con acqua deionizzata e inserirla nel terzo beker per la calibrazione. Accertarsi che non vi siano bolle d'aria nella membrana.
10. Premere ✓ per effettuare la misura della terza soluzione di calibrazione. Se la calibrazione riesce, il display visualizza brevemente Calibration OK (Calibrazione OK) e torna quindi al menu principale. **Nota:** Quando è collegata una stampante, viene visualizzato il menu di stampa ed è possibile stampare i risultati.

### Visualizzazione dei dati di calibrazione

È possibile visualizzare i dati della calibrazione più recente.

1. Per selezionare DATA LOGGER (Registratore dati), utilizzare ▲ o ▼ dal menu principale. Confermare.
2. Selezionare Display data (Visualizzazione dati).
3. Selezionare Calibration data (Dati calibrazione) e confermare con ✓. Vengono visualizzati i dati dell'ultima calibrazione.
  - pH: i valori di pendenza e di offset vengono mostrati alternativamente con la deviazione (in %) e la temperatura di calibrazione.
  - ORP: vengono mostrati il valore mV e la temperatura di calibrazione.
  - Conducibilità: vengono mostrate la costante di cella e la temperatura di calibrazione per ogni standard.

## Impostazione del promemoria di calibrazione

È possibile impostare il promemoria della calibrazione tra 0 e 23 ore o tra 1 e 7 giorni (l'impostazione predefinita è 1 giorno). Sullo schermo viene visualizzato il tempo che manca alla calibrazione successiva.

**Nota:** Quando si seleziona 0 giorni, il promemoria di calibrazione viene disattivato.

1. Per selezionare CALIBRATION (Calibrazione), utilizzare ▲ o ▼ dal menu principale. Confermare.
2. Utilizzare ▲ per tornare al menu di calibrazione.
3. Utilizzare ▲ o ▼ per selezionare Cal. frequency (Frequenza cal.) e confermare.
4. Utilizzare ◀ e ▶ per passare alla fase successiva e utilizzare ▲ o ▼ per modificare un valore. Confermare.  
Premere ✓ per avviare la calibrazione.

## Misurazioni dei campioni

Ogni sonda prevede specifiche procedure di preparazione prima di misurare i campioni.

1. Per selezionare MEASURE (Misura), utilizzare ▲ o ▼ e ◀ e ▶ nel menu principale. Confermare.
2. Utilizzare ▲ per modificare le impostazioni riportate di seguito. Confermare ogni immissione.

Opzione	Descrizione
<b>Soluzione</b>	Selezionare la risoluzione: 1, 0,1, 0,01 (impostazione predefinita) o 0,001
<b>Measure (Misura)</b>	Stability (Stabilità): selezionare By stability Criterion (Per criterio di stabilità): Fast (Rapido) (variazione < 0,02 pH in 6 s), Standard (variazione < 0,01 di pH in 6 s) o Strict (Rigoroso) (variazione < 0,002 di pH in 6 s). In continuous (In continuo): immettere l'intervallo di tempo per l'acquisizione in continuo (dati in memoria o stampa dei dati). By time (Per tempo): immettere l'intervallo di tempo per i dati in memoria o la stampa dei dati).

Opzione	Descrizione
<b>Display mV (mV schermo)</b>	mV sullo schermo, selezionare YES (Sì) o NO per la visualizzazione del valore mV.
<b>Limits (Limiti)</b>	Selezionare YES (Sì) o NO. YES (Sì): immettere i limiti superiore e inferiore. Quando la misura rilevata non è compresa nei limiti, viene riprodotto un segnale acustico. Quando la misura non è compresa nei limiti, nei rapporti viene riportata una A accanto al valore misurato.
<b>Isopotential (Isopotenziale)</b>	Modificare il valore di pH isopotenziale in Data introduction (Introduzione dati). Per rieseguire la calibrazione, selezionare Calculate (Calcola).

3. Premere ✓ per avviare la misurazione.

**Nota:** Se la misurazione non si stabilizza dopo 120 secondi, il dispositivo di misurazione passa automaticamente alla modalità di misurazione continua.

## Operazioni avanzate

### Modifica delle unità di temperatura

È possibile modificare le singole unità di misura per ciascun canale.

1. Per selezionare SYSTEM (Sistema), utilizzare ▲ o ▼ dal menu principale. Confermare.
2. Utilizzare ▲ o ▼ per selezionare Measurement units (Unità di misura) e confermare.
3. Selezionare Channel 1 (Canale 1) o Channel 2 (Canale 2) e confermare.
4. Selezionare ORP (mV), pH o ISE e confermare.

### Utilizzo di un ID campione

Il tag ID campione viene utilizzato per associare le letture del campione a una specifica locazione campione. Se assegnati, i dati memorizzati includeranno questo ID.

1. Per selezionare SYSTEM (Sistema), utilizzare ▲ o ▼ dal menu principale. Confermare.

- Utilizzare ▲ o ▼ per selezionare Sample ID (ID campione) e confermare.
- Utilizzare ▲ o ▼ per selezionare

Opzione	Descrizione
<b>Automatic (Automatico)</b>	A ogni campione viene assegnato automaticamente un numero consecutivo.
<b>Manual (Manuale)</b>	È necessario disporre di una tastiera o di uno scanner di codici a barre per l'immissione del nome dell'ID campione prima della misurazione (massimo 15 caratteri).

## Selezione dei dati in uscita

I dati possono essere memorizzati o trasferiti a una stampante o a un PC.

- Per selezionare SYSTEM (Sistema), utilizzare ▲ o ▼ dal menu principale. Confermare.
- Utilizzare ▲ o ▼ per selezionare Data output (Dati in uscita) e confermare.
- Utilizzare ▲ o ▼ per selezionare

Opzione	Descrizione
<b>Deactivated (Disattivato)</b>	Se non è collegata alcuna stampante o PC, selezionare Deactivated (Disattivato).
<b>For Printer (Per stampante)</b>	Selezionare Dot matrix printer (Stampante matrice di punti) o Thermal printer (Stampante termica).
<b>For Computer (Per computer)</b>	Selezionare Terminal (Terminale), LabCom o LabCom Easy. Il software LabCom consente di controllare più moduli, dispositivi per la misurazione di pH e conducibilità, burette automatiche, campionatori e così via da un computer. Il software LabCom Easy consente di ottenere i dati di pH e conducibilità da un PC.

## Cambiamento della data e dell'ora

La data e l'ora possono essere modificate dal menu Date / Time (Data/Ora).

- Per selezionare SYSTEM (Sistema), utilizzare ▲ o ▼ dal menu principale. Confermare.
- Utilizzare ▲ o ▼ per selezionare Date / Time (Data/Ora) e confermare.
- Utilizzare ◀ e ▶ per passare alla fase successiva e utilizzare ▲ o ▼ per modificare un valore. Confermare.  
La data e l'ora corrente vengono visualizzate sul display.

## Regolazione del contrasto dello schermo

- Per selezionare SYSTEM (Sistema), utilizzare ▲ o ▼ dal menu principale. Confermare.
- Utilizzare ▲ o ▼ per selezionare Display contrast (Contrasto schermo) e confermare.
- Utilizzare ◀ e ▶ per regolare il contrasto e confermare.

## Regolazione della temperatura

È possibile impostare la misura della temperatura su 25° C (77° F) e/o 85° C (185° F) per aumentare la precisione.

- Inserire la sonda e un termometro di riferimento all'interno di un contenitore d'acqua a circa 25° C e attendere che la temperatura si stabilizzi.
- Confrontare la temperatura del dispositivo di misura con quella riportata dal termometro di riferimento. Il valore di regolazione del dispositivo di misura è dato dalla differenza.  
Esempio: termometro di riferimento 24,5° C; dispositivo di misura: 24,3° C. Valore di regolazione: 0,2° C.
- Immettere il valore di regolazione per la lettura dei 25° C:
  - Per selezionare SYSTEM (Sistema), utilizzare ▲ o ▼ dal menu principale. Confermare.

- b. Utilizzare ▲ o ▼ per selezionare Readjust temp (Regola di nuova temperatura) e confermare.
  - c. Selezionare Channel 1 (Canale 1) o Channel 2 (Canale 2) e confermare. La temperatura per il canale 1 viene misurata dalla cella di conducibilità e per il canale 2 dalla sonda pH. Se al dispositivo non è collegata alcuna cella di conducibilità, è necessario immettere manualmente il valore della temperatura oppure applicare la temperatura misurata sul canale 2.
  - d. Utilizzare ▲ o ▼ per selezionare 25° C e confermare.
  - e. Utilizzare i tasti freccia per immettere il valore di regolazione per 25° C. Confermare.
4. Inserire la sonda e un termometro di riferimento all'interno di un contenitore d'acqua a circa 85° C e attendere che la temperatura si stabilizzi.
  5. Confrontare la temperatura del dispositivo di misura con quella riportata dal termometro di riferimento. Il valore di regolazione del dispositivo di misura è dato dalla differenza.
    - a. Utilizzare ▲ o ▼ per selezionare 85° C e confermare.
    - b. Utilizzare i tasti freccia per immettere il valore di regolazione per 85° C. Confermare.
    - c. Selezionare Save changes (Salva modifiche) e confermare.

## Modifica delle impostazioni di miscelazione

È possibile attivare il miscelatore magnetico e modificare la velocità di miscelazione dal menu Stirring (Miscelazione).

1. Per selezionare SYSTEM (Sistema), utilizzare ▲ o ▼ dal menu principale. Confermare.
2. Utilizzare ▲ o ▼ per selezionare Stirring (Miscelazione) e confermare.
3. Per attivare/disattivare il miscelatore, premere ✓.
4. Quando il miscelatore è attivo, utilizzare ▲ o ▼ per modificare la velocità di miscelazione in %.

**Nota:** Utilizzare ▲ o ▼ per modificare la velocità di miscelazione durante la calibrazione e durante una misurazione.

## Attivazione o disattivazione del miscelatore

Il miscelatore 1 funziona con Canale 1 e Canale 2 (Miscelatore 1). È possibile collegare un secondo miscelatore al Canale 2 (Miscelatore 2). Per l'attivazione del Miscelatore 2, consultare la procedura riportata di seguito.

1. Per selezionare SYSTEM (Sistema), utilizzare ▲ o ▼ dal menu principale. Confermare con ✓.
2. Utilizzare ▲ o ▼ per selezionare Stirrer N.2 (Miscelatore n. 2) e confermare con ✓.
3. Utilizzare ▲ o ▼ per selezionare YES (Sì) e attivare il Miscelatore 2.  
**Nota:** Selezionare NO per disattivare il Miscelatore 2.

## Modifica delle unità di temperatura

È possibile modificare le unità di temperatura in Celsius o Fahrenheit.

1. Per selezionare SYSTEM (Sistema), utilizzare ▲ o ▼ dal menu principale. Confermare.
2. Utilizzare ▲ o ▼ per selezionare Temperature units (Unità di temperatura) e confermare.
3. Utilizzare ▲ o ▼ per scegliere Celsius o Fahrenheit e confermare.

## Registratore dei dati

### Visualizzazione dei dati

Il registro di visualizzazione dei dati contiene dati di misurazione, rapporto dell'elettrodo e dati di calibrazione. I dati memorizzati si possono inviare a una stampante o a un PC. Quando il registro dei dati si riempie (400 punti dati), i dati meno recenti vengono eliminati non appena vengono aggiunti nuovi dati al registro.

1. Utilizzare ◀ o ▶ per scegliere Channel 1 (Canale 1) o Channel 2 (Canale 2) e confermare.
2. Per selezionare SYSTEM (Sistema), utilizzare ▲ o ▼ dal menu principale. Confermare.

- Utilizzare ▲ o ▼ per selezionare DATA LOGGER (Registratore dati) e confermare.
- Utilizzare ▲ o ▼ per selezionare Display data (Visualizzazione dati) e confermare.
- Utilizzare ▲ o ▼ per selezionare

Opzione	Descrizione
<b>Measurement data (Dati misurazione)</b>	I dati di misurazione vengono memorizzati ogni volta che si esegue la misurazione di un campione
<b>Electrode report (Rapporto elettrodo)</b>	Vengono memorizzate automaticamente la cronologia dell'elettrodo e le condizioni di misurazione
<b>Calibration data (Dati calibrazione)</b>	La calibrazione corrente viene memorizzata automaticamente

## Eliminazione dei dati

È possibile eliminare i dati dell'intera misurazione o il registro dei rapporti degli elettrodi, per rimuovere i dati già inviati a una stampante o a un PC.

- Per selezionare SYSTEM (Sistema), utilizzare ▲ o ▼ dal menu principale. Confermare.
- Utilizzare ▲ o ▼ per selezionare DATA LOGGER (Registratore dati) e confermare.
- Utilizzare ▲ o ▼ per selezionare Erase (Cancella) e confermare.
- Utilizzare ▲ o ▼ per scegliere Measurement data (dati misurazione) o Electrode report (Rapporto elettrodo) e confermare. Confermare di nuovo per eliminare i dati.  
Il rapporto viene immediatamente eliminato.

## Invio dei dati a una stampante o a un computer

### AVVISO

È necessario prima selezionare i dati in uscita (stampante o PC), in modo da rendere disponibile il menu Print (Stampa) (fare riferimento a [Selezione dei dati in uscita](#) a pagina 47).

**Nota:** Per selezionare il tipo di rapporto, fare riferimento a [Rapporti](#) a pagina 49.

- Per selezionare SYSTEM (Sistema), utilizzare ▲ o ▼ dal menu principale. Confermare.
- Utilizzare ▲ o ▼ per selezionare DATA LOGGER (Registratore dati) e confermare.
- Utilizzare ▲ o ▼ per selezionare Print (Stampa) e confermare. Per stampare i dati, selezionare una delle seguenti opzioni e confermare con ✓: Measurement data (Dati misurazione), Electrode data (Dati elettrodo), Calibration data (Dati calibrazione), Calibration report (Rapporto calibrazione) o Instrument condit (Condizioni dispositivo).

## Rapporti

### AVVISO

È necessario prima selezionare i dati in uscita (stampante o PC), in modo da rendere disponibile il menu Type of report (Tipo di rapporto) (fare riferimento a [Selezione dei dati in uscita](#) a pagina 47).

Se si è collegato un PC o una stampante, è possibile scegliere tra diversi tipi di rapporti.

- Per selezionare SYSTEM (Sistema), utilizzare ▲ o ▼ dal menu principale. Confermare.
- Utilizzare ▲ o ▼ per selezionare Type of report (Tipo di rapporto) e confermare.
- Quando si collega una stampante o un computer e terminale, utilizzare ▲ o ▼ per selezionare

Opzione	Descrizione
<b>Reduced (Ridotto)</b>	Selezionare Several (Più campioni) o One sample (Un campione) come formato del rapporto

Opzione	Descrizione
<b>Standard</b>	Selezionare Several (Multipli) o One sample (Un campione) come formato del rapporto. Selezionare Several (Multipli): <b>Users:</b> (Utenti) sul rapporto stampato viene riportato il nome dell'utente (17 caratteri). <b>Header:</b> (Intestazione) è possibile aggiungere il nome dell'azienda come intestazione (40 caratteri) al rapporto stampato. <b>Identify sensor:</b> (Identifica sensore) è possibile aggiungere al rapporto stampato il modello e il numero di serie del sensore.
<b>GLP</b>	Selezionare Several (Multipli) o One sample (Un campione) come formato del rapporto. Selezionare Several (Multipli): <b>Users:</b> (Utenti) sul rapporto stampato viene riportato il nome dell'utente (17 caratteri). <b>Header:</b> (Intestazione) è possibile aggiungere il nome dell'azienda come intestazione (40 caratteri) al rapporto stampato. <b>Identify sensor:</b> (Identifica sensore) è possibile aggiungere al rapporto stampato il modello e il numero di serie del sensore.

4. Quando un computer è collegato e LabCom Easy (fare riferimento a [Selezione dei dati in uscita](#) a pagina 47 per ulteriori informazioni) è selezionato, utilizzare ▲ o ▼ per selezionare

Opzione	Descrizione
<b>Users (Utenti)</b>	Sul rapporto stampato viene riportato il nome dell'utente (17 caratteri).
<b>Identify sensor (Identifica sensore)</b>	È possibile aggiungere al rapporto stampato il modello e il numero di serie del sensore.

## Manutenzione

### ▲ AVVERTENZA

Rischi multipli. Non smontare lo strumento per operazioni di manutenzione o assistenza. Se è necessario pulire o riparare i componenti interni, contattare il produttore.

### ▲ ATTENZIONE

Pericolo di lesioni personali. Le operazioni riportate in questa sezione del manuale devono essere eseguite esclusivamente da personale qualificato.

## Pulizia dello strumento

### AVVISO

Non utilizzare mai prodotti detergenti quali trementina, acetone o prodotti simili per pulire lo strumento, inclusi display e accessori.

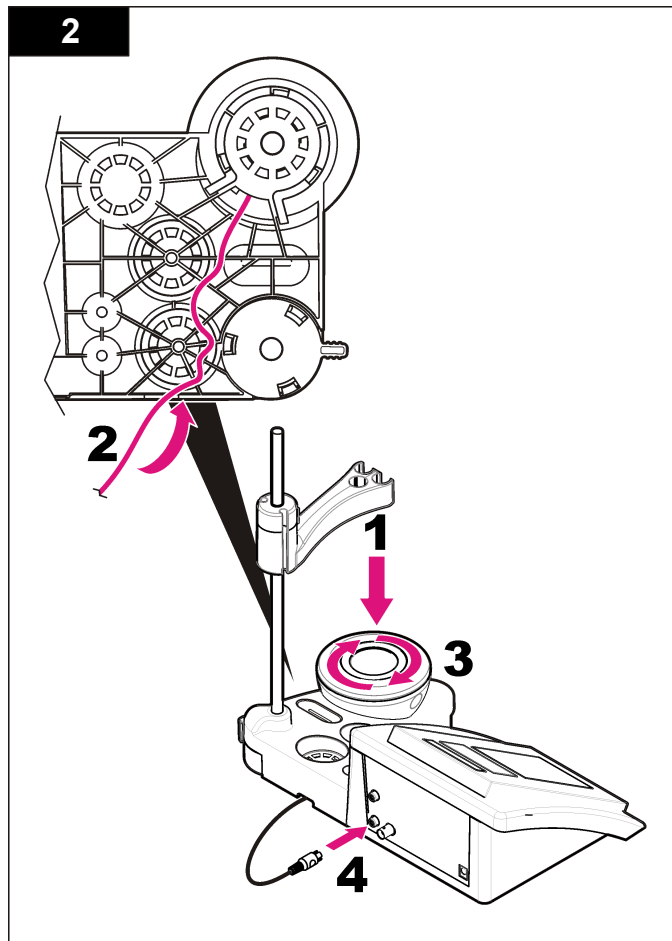
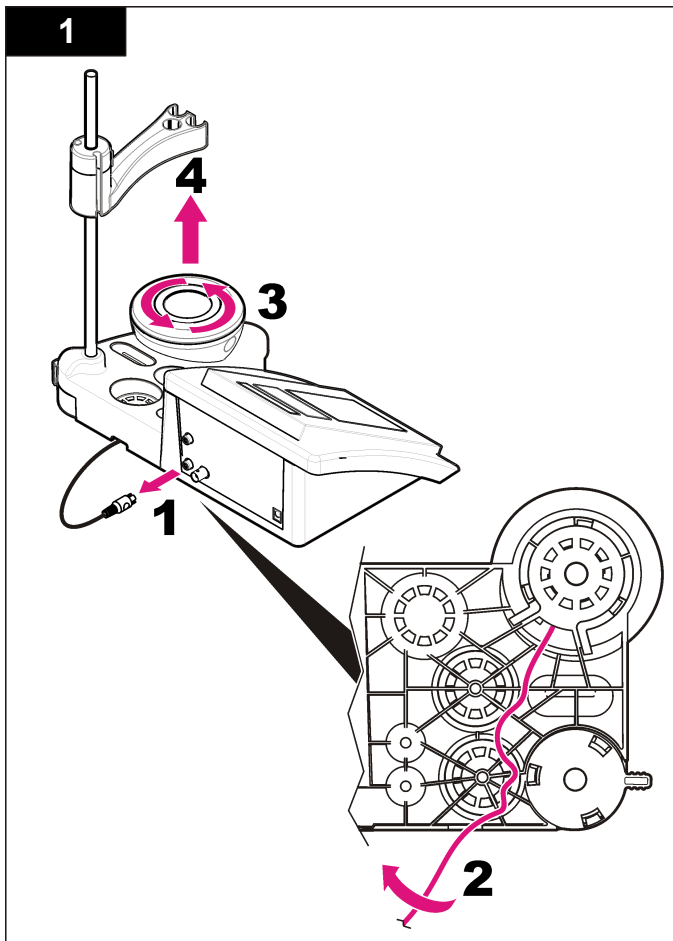
Pulire la parte esterna dello strumento con un panno umido e una soluzione detergente delicata.

## Pulizia della sonda

Pulire la sonda in base alle necessità. Per ulteriori informazioni sulla pulizia, fare riferimento a [Individuazione ed eliminazione dei guasti](#) a pagina 52. Per informazioni sulla manutenzione della sonda, consultare la relativa documentazione.

## Sostituzione del miscelatore magnetico

Se il miscelatore magnetico non si attiva, seguire la procedura numerata per sostituirlo.



## Individuazione ed eliminazione dei guasti

Consultare la seguente tabella per messaggi o sintomi relativi a problemi comuni, possibili cause e azioni correttive.

**Tabella 1 Avvisi ed errori di calibrazione**

Errore/Avviso	Soluzione
Asymmetry > 58 mV (Asimmetria > 58 mV)	Pendenza fuori gamma (valori accettati $\pm 58$ mV). Rieseguire la calibrazione. Collegare una sonda nuova.
Buffer or electrode in poor conditions (Tampone o elettrodo in cattive condizioni)	Esaminare la sonda: pulire la sonda (per ulteriori informazioni, fare riferimento a <a href="#">Pulizia della sonda</a> a pagina 50), accertarsi che nella membrana non siano presenti bolle d'aria. Scuotere la sonda come un termometro; collegare un'altra sonda per verificare se il problema riguarda la sonda o il dispositivo di misurazione.  Esaminare la soluzione tampone: accertarsi che la soluzione utilizzata corrisponda a quella specificata nella configurazione; controllare la specifica della temperatura nella configurazione; utilizzare una soluzione tampone nuova.
BUFFER NOT RECOGNIZED (Soluzione tampone non riconosciuta)	Rieseguire la calibrazione.  Esaminare la sonda: pulire la sonda (per ulteriori informazioni, fare riferimento a <a href="#">Pulizia della sonda</a> a pagina 50), accertarsi che nella membrana non siano presenti bolle d'aria. Scuotere la sonda come un termometro; collegare un'altra sonda per verificare se il problema riguarda la sonda o il dispositivo di misurazione.
Sens. (a) < 70%	Esaminare la soluzione tampone: accertarsi che la soluzione utilizzata corrisponda a quella specificata nella configurazione; controllare la specifica della temperatura nella configurazione; utilizzare una soluzione tampone nuova.

**Tabella 1 Avvisi ed errori di calibrazione (continua)**

Errore/Avviso	Soluzione
UNSTABLE READING (Lettura instabile)  Time t> 100 s (Tempo t> 100 s)	Rieseguire la calibrazione.  Esaminare la sonda: pulire la sonda (per ulteriori informazioni, fare riferimento a <a href="#">Pulizia della sonda</a> a pagina 50), accertarsi che nella membrana non siano presenti bolle d'aria. Scuotere la sonda come un termometro; collegare un'altra sonda per verificare se il problema riguarda la sonda o il dispositivo di misurazione.  Accertarsi che la membrana e il diaframma siano correttamente immersi nel campione.
Check temperature (Controllare la temperatura)  Check electrode (Controllare l'elettrodo)	Controllare le specifiche di temperatura nella configurazione.  Esaminare la sonda: pulire la sonda (per ulteriori informazioni, fare riferimento a <a href="#">Pulizia della sonda</a> a pagina 50), accertarsi che nella membrana non siano presenti bolle d'aria. Scuotere la sonda come un termometro; collegare un'altra sonda per verificare se il problema riguarda la sonda o il dispositivo di misurazione.
Electrode in poor conditions (Elettrodo in cattive condizioni)	Esaminare la sonda: pulire la sonda (per ulteriori informazioni, fare riferimento a <a href="#">Pulizia della sonda</a> a pagina 50), accertarsi che nella membrana non siano presenti bolle d'aria. Scuotere la sonda come un termometro; collegare un'altra sonda per verificare se il problema riguarda la sonda o il dispositivo di misurazione.
Check the electrode (Controllare l'elettrodo)	Esaminare la sonda: pulire la sonda (per ulteriori informazioni, fare riferimento a <a href="#">Pulizia della sonda</a> a pagina 50), accertarsi che nella membrana non siano presenti bolle d'aria. Scuotere la sonda come un termometro; collegare un'altra sonda per verificare se il problema riguarda la sonda o il dispositivo di misurazione.
SAME BUFFERS (Soluzioni tampone identiche)	Rieseguire la calibrazione.  Esaminare la sonda: pulire la sonda (per ulteriori informazioni, fare riferimento a <a href="#">Pulizia della sonda</a> a pagina 50), accertarsi che nella membrana non siano presenti bolle d'aria. Scuotere la sonda come un termometro; collegare un'altra sonda per verificare se il problema riguarda la sonda o il dispositivo di misurazione.  Esaminare la soluzione tampone: utilizzare una soluzione tampone nuova.



**Tabella 2 Avvisi ed errori di misurazione**

Errore/Avviso	Soluzione
pH 12,78 19° C	Rieseguire la calibrazione.
pH out of range (pH fuori scala)	Esaminare la sonda: pulire la sonda (per ulteriori informazioni, fare riferimento a <a href="#">Pulizia della sonda</a> a pagina 50), accertarsi che nella membrana non siano presenti bolle d'aria. Scuotere la sonda come un termometro; collegare un'altra sonda per verificare se il problema riguarda la sonda o il dispositivo di misurazione.
Temp out of range °C (Temp fuori scala)	Esaminare il sensore della temperatura. Collegare un'altra sonda per verificare se il problema riguarda la sonda o lo strumento.
Time t> 60 s (Tempo t> 60 s)	Accertarsi che la membrana e il diaframma siano correttamente immersi nel campione.
Time t> 150 s (Tempo t> 150 s)	Esaminare la temperatura. Esaminare la sonda: pulire la sonda (per ulteriori informazioni, fare riferimento a <a href="#">Pulizia della sonda</a> a pagina 50), accertarsi che nella membrana non siano presenti bolle d'aria. Scuotere la sonda come un termometro; collegare un'altra sonda per verificare se il problema riguarda la sonda o il dispositivo di misurazione.
Time t> 300 s (Tempo t> 300 s)	Esaminare la temperatura. Esaminare la sonda: pulire la sonda (per ulteriori informazioni, fare riferimento a <a href="#">Pulizia della sonda</a> a pagina 50), accertarsi che nella membrana non siano presenti bolle d'aria. Scuotere la sonda come un termometro; collegare un'altra sonda per verificare se il problema riguarda la sonda o il dispositivo di misurazione.
10,389 mg/L >>>>> 00012 00:13	Misurazione ISE: il valore misurato è superiore allo standard più alto utilizzato per la calibrazione. Rieseguire la misurazione.
0,886 mg/L <<<<<< 00018 00:11	Misurazione ISE: il valore misurato è inferiore allo standard più basso utilizzato per la calibrazione. Rieseguire la misurazione.

## Parti di ricambio e accessori

**Nota:** Numeri di Prodotti e Articoli possono variare per alcune regioni di vendita. Contattare il distributore appropriato o fare riferimento al sito Web dell'azienda per dati di contatto.

## Parti di ricambio

Descrizione	Articolo n.
sensION+ PH3 Lab pHmetro con accessori, senza sonda	LPV2000.98.0002
sensION+ PH31 Lab pHmetro, GLP, con accessori, senza sonda	LPV2100.98.0002
sensION+ MM340 Lab pHmetro e ionometro, GLP, a 2 canali, con accessori, senza sonda	LPV2200.98.0002
sensION+ EC7 Lab misuratore di conducibilità, con accessori, senza sonda	LPV3010.98.0002
sensION+ EC71 Lab misuratore di conducibilità, GLP, con accessori, senza sonda	LPV3110.98.0002
sensION+ MM374, dispositivo di misurazione a 2 canali, GLP, con accessori, senza sonde	LPV4110.98.0002

## Materiali di consumo

Descrizione	Articolo n.
Soluzione tampone pH 4,01, 125 mL	LZW9460.99
Soluzione tampone pH 7,00, 125 mL	LZW9461.98
Soluzione tampone pH 10,01, 125 mL	LZW9470.99
Soluzione tampone pH 4,01, 250 mL	LZW9463.99
Soluzione tampone pH 7,00, 250 mL	LZW9464.98
Soluzione tampone pH 10,01, 250 mL	LZW9471.99
Soluzione tampone pH 4,01, 1000 mL	LZW9466.99
Soluzione tampone pH 7,00, 1000 mL	LZW9467.98
Soluzione tampone pH 10,01, 1000 mL	LZW9472.99
Soluzione elettrolitica (KCl 3M), 125 mL	LZW9510.99
Soluzione elettrolitica (KCl 3M), 250 mL	LZW9500.99

## Parti di ricambio e accessori (continua)

Descrizione	Articolo n.
Soluzione elettrolitica (KCl 3M), 50 mL	LZW9509.99
Soluzione elettrolitica 0,1 M, 125 mL	LZW9901.99
Soluzione enzimatica	2964349
Soluzione detergente di pepsina	2964349
Soluzione detergente per elettrodi	2965249
Soluzione 0,1 di NHCl	1481253

## Accessori

Descrizione	Articolo n.
Stampante termica, RS232, per sensION+ da tavolo	LZW8201.99
Carta termica per stampante LZW8201, confezione con 5 rotoli	LZW9117.99
Stampante a impatto, RS232, per dispositivi sensION+	LZW8200.99
Carta standard per stampante LZW8200, confezione con 10 rotoli	LZW9000.99
Nastro per stampante LZW8200, 3 unità	LZW9001.99
LabCom Easy PC SW, per sensION+ GLP, CD, cavo, adattatore USB	LZW8997.99
LabCom PC SW, per sensION+ GLP, CD, cavo, adattatore USB	LZW8999.99
Cavo RS232, per dispositivi sensION+ da tavolo	LZW9135.99
Cavo RS232 per sensION+ da tavolo, con adattatore USB	LZW9135USB.99
Miscelatore magnetico con supporto sensore, per sensION+ MM da tavolo	LZW9319.99
3x50 mL beker graduati per calibrazione pH da tavolo	LZW9110.98

## Parti di ricambio e accessori (continua)

Descrizione	Articolo n.
Supporto tre sensori, per dispositivi sensION+ da tavolo	LZW9321.99
Supporto e pinza per tre sensori	LZW9155.99
Camera in vetro pyrex, misurazioni flusso continuo	LZW9118.99
Protezione PP, conservazione elettrodo	LZW9161.99

## Soluzioni standard

### Soluzioni tampone tecniche (DIN 19267)

Fare riferimento ai valori di pH e ORP (mV) in [Tabella 3](#) per i gruppi di soluzioni tampone specifiche a diverse temperature.

**Tabella 3 Valori di pH, ORP (mV) e temperatura**

Temperatura		pH					mV
°C	°F						
0	32	2,01	4,01	7,12	9,52	10,30	—
10	50	2,01	4,00	7,06	9,38	10,17	245
20	68	2,00	4,00	7,02	9,26	10,06	228
<b>25</b>	<b>77</b>	<b>2,00</b>	<b>4,01</b>	<b>7,00</b>	<b>9,21</b>	<b>10,01</b>	<b>220</b>
30	86	2,00	4,01	6,99	9,16	9,96	212
40	104	2,00	4,03	6,97	9,06	9,88	195
50	122	2,00	4,06	6,97	8,99	9,82	178
60	140	2,00	4,10	6,98	8,93	9,76	160
70	158	2,01	4,16	7,00	8,88	—	—
80	176	2,01	4,22	7,04	8,83	—	—
90	194	2,01	4,30	7,09	8,79	—	—

## Soluzioni tampone (DIN 19266)

Fare riferimento ai valori di pH e ORP (mV) in [Tabella 4](#) per i gruppi di soluzioni tampone specifiche a diverse temperature.

**Tabella 4 Valori di pH, ORP (mV) e temperatura**

Temperatura		pH					mV	
°C	°F							
5	32	1,668	4,004	6,951	7,087	9,395	10,245	13,207
10	50	1,670	4,000	6,923	7,059	9,332	10,179	13,003
20	68	1,675	4,001	6,881	7,016	9,225	10,062	12,627
<b>25</b>	<b>77</b>	<b>1,679</b>	<b>4,006</b>	<b>6,865</b>	<b>7,000</b>	<b>9,180</b>	<b>10,012</b>	<b>12,454</b>
30	86	1,683	4,012	6,853	6,987	9,139	9,966	12,289
40	104	1,694	4,031	6,838	6,970	9,068	9,889	11,984
50	122	1,707	4,057	6,833	6,964	9,011	9,828	11,705
60	140	1,723	4,085	6,836	6,968	8,962	—	11,449
70	158	1,743	4,126	6,845	6,982	8,921	—	—
80	176	1,766	4,164	6,859	7,004	8,885	—	—
90	194	1,792	4,205	6,877	7,034	8,850	—	—

## Caractéristiques techniques

Les caractéristiques techniques peuvent être modifiées sans préavis.

Caractéristiques	Détails
Dimensions	35 x 20 x 11 cm (13,78 x 7,87 x 4,33 po)
Poids	1 100 g (2,43 lb)
Boîtier de l'appareil	IP42
Alimentation (externe)	100–240 V, 0,4 A, 47-63 Hz
Classe de protection de l'instrument	Classe II
Température de stockage	–15 à +65 °C (5 à +149 °F)
Température de fonctionnement	0 à 40 °C (41 à 104 °F)
Humidité de fonctionnement	< 80 % (sans condensation)
Résolution	pH : 0,1/0,01/0,001, ORP : 0,1/1 mV, ISE : programmable, température : 0,1 °C (0,18 °F)
Erreur de mesure (± 1 chiffre)	pH : ≤ 0,002, ORP : ≤ 0,2 mV, température : ≤ 0,2 °C (≤ 0,36 °F)
Reproductibilité (± 1 chiffre)	pH : ± 0,001, ORP : ± 0,1 mV, température : ± 0,1 °C (± 0,18 °F)
Stockage des données	330 résultats et 9 derniers étalonnages
Connexions	2 sondes d'indicateur ou combinées : connecteur BNC (imp. > 10 <sup>12</sup> Ω) ; 2 électrodes de référence : connecteur banane ; A.T.C. type Pt 1000 : connecteur banane ou téléphonique ; agitateur magnétique : connecteur RCA ; agitateur magnétique 2 : connecteur RCA
Correction de température	Manuelle, sonde de température Pt 1000 (A.T.C.), pH isopotential programmable, valeur standard 7,00

Caractéristiques	Détails
Verrouillage d'affichage de mesure	Mesure continue, par stabilité
Afficheur	Cristal liquide, rétroéclairé, 128 x 64 points
Clavier	PET avec traitement de protection
Certification	CE

## Généralités

Les éditions révisées se trouvent sur le site Internet du fabricant.

## Consignes de sécurité

### AVIS

Le fabricant décline toute responsabilité quant aux dégâts liés à une application ou un usage inappropriés de ce produit, y compris, sans toutefois s'y limiter, des dommages directs ou indirects, ainsi que des dommages consécutifs, et rejette toute responsabilité quant à ces dommages dans la mesure où la loi applicable le permet. L'utilisateur est seul responsable de la vérification des risques d'application critiques et de la mise en place de mécanismes de protection des processus en cas de défaillance de l'équipement.

Veuillez lire l'ensemble du manuel avant le déballage, la configuration ou la mise en fonctionnement de cet appareil. Respectez toutes les déclarations de prudence et d'attention. Le non-respect de cette procédure peut conduire à des blessures graves de l'opérateur ou à des dégâts sur le matériel.

Assurez-vous que la protection fournie avec cet appareil n'est pas défaillante. N'utilisez ni n'installez cet appareil d'une façon différente de celle décrite dans ce manuel.

## Interprétation des indications de risques

### ▲ DANGER

Indique une situation de danger potentiel ou imminent qui, si elle n'est pas évitée, entraîne des blessures graves, voire mortelles.

## ⚠ AVERTISSEMENT

Indique une situation de danger potentiel ou imminent qui, si elle n'est pas évitée, peut entraîner des blessures graves, voire mortelles.

## ⚠ ATTENTION

Indique une situation de danger potentiel qui peut entraîner des blessures mineures ou légères.

## AVIS

Indique une situation qui, si elle n'est pas évitée, peut occasionner l'endommagement du matériel. Informations nécessitant une attention particulière.

## Étiquettes de mise en garde

Lire toutes les informations et toutes les étiquettes apposées sur l'appareil. Des personnes peuvent se blesser et le matériel peut être endommagé si ces instructions ne sont pas respectées. Si un symbole 'danger' ou 'attention' se trouve sur l'instrument, une explication est indiquée dans le manuel.



Si l'appareil comporte ce symbole, reportez-vous au manuel d'utilisation pour consulter les informations de fonctionnement et de sécurité.



En Europe, depuis le 12 août 2005, les appareils électriques comportant ce symbole ne doivent pas être jetés avec les autres déchets. Conformément à la réglementation nationale et européenne (Directive 2002/98/CE), les appareils électriques doivent désormais être, à la fin de leur service, renvoyés par les utilisateurs au fabricant, qui se chargera de les éliminer à ses frais.

**Remarque :** Pour le retour à des fins de recyclage, veuillez contacter le fabricant ou le fournisseur d'équipement afin d'obtenir les instructions sur la façon de renvoyer l'équipement usé, les accessoires électriques fournis par le fabricant, et tous les articles auxiliaires pour une mise au rebut appropriée.

## Présentation du produit

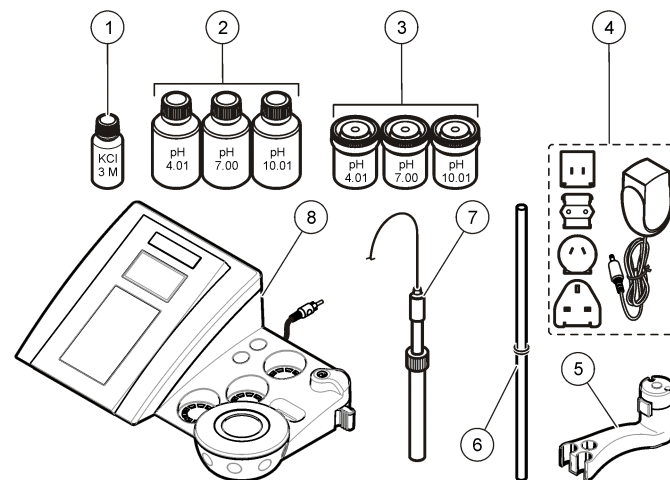
Les appareils de mesure de la série ION™+ s'utilisent avec des sondes pour mesurer différents paramètres dans l'eau.

L'appareil de mesure sensION™+ MM340 dispose de deux canaux de mesure permettant de mesurer le pH, l'ORP (mV) ou l'ISE (concentration) avec une sonde sélective. Les données de mesure peuvent être enregistrées et transférées vers une imprimante ou un PC.

## Composants du produit

Consultez la [Figure 1](#) pour vous assurer que tous les éléments ont bien été reçus. Si des éléments manquent ou sont endommagés, contactez immédiatement le fabricant ou un représentant commercial.

Figure 1 Composants de l'appareil

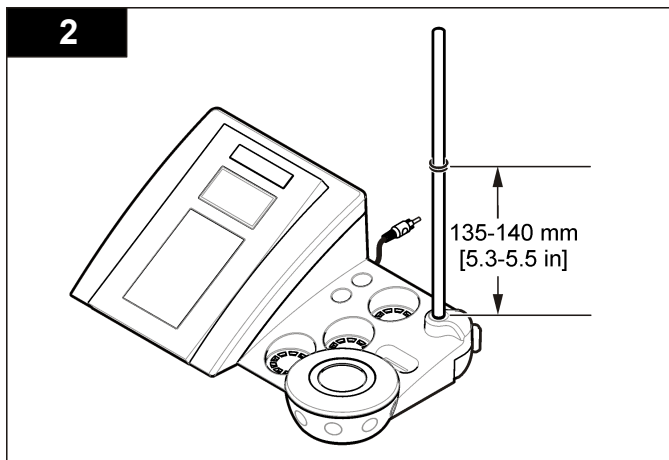
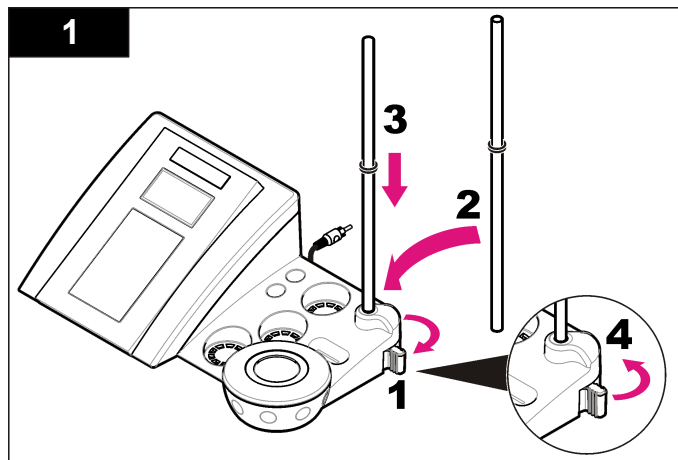


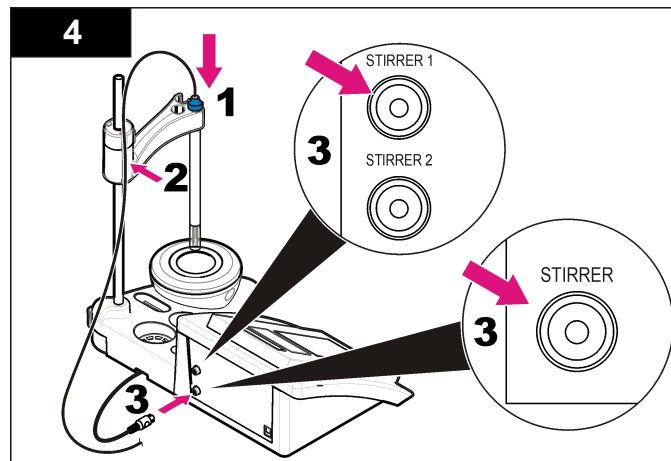
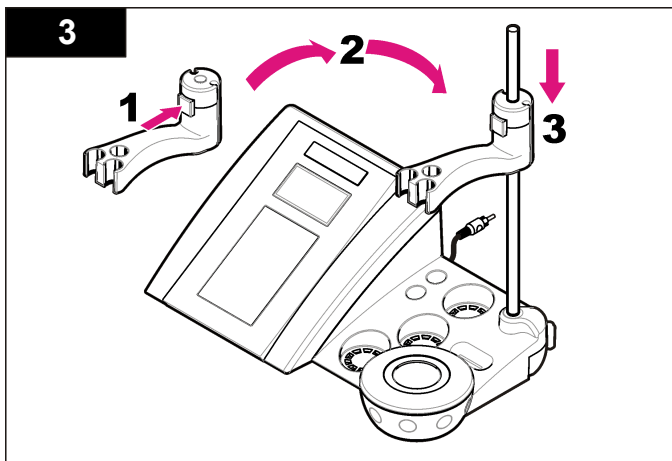
1	Electrolyte pour la sonde	5	Support de sonde
2	Solutions tampons (pH 4,01, pH 7,00 et pH 10,01)	6	Tige avec joint torique
3	Béciers d'étalonnage (avec barre magnétique)	7	Sonde (comprise uniquement dans les kits)
4	Alimentation	8	Appareil de mesure

## Installation

### Monter le support de sonde

Suivez les étapes numérotées afin de monter le support de sonde et de brancher l'agitateur magnétique.





## Branchement sur alimentation CA

### ⚠ DANGER

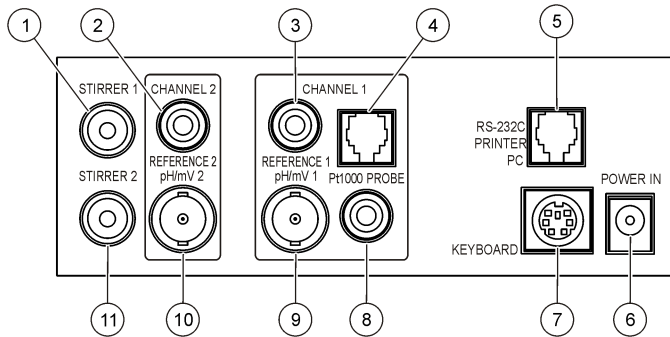


Risque d'électrocution Si cet équipement est utilisé à l'extérieur ou dans des lieux potentiellement humides, un disjoncteur de fuite à la terre (GFCI/GFI) doit être utilisé pour le branchement de l'équipement à sa source d'alimentation secteur.

L'appareil de mesure peut être alimenté sur secteur à l'aide d'un adaptateur d'alimentation universel.

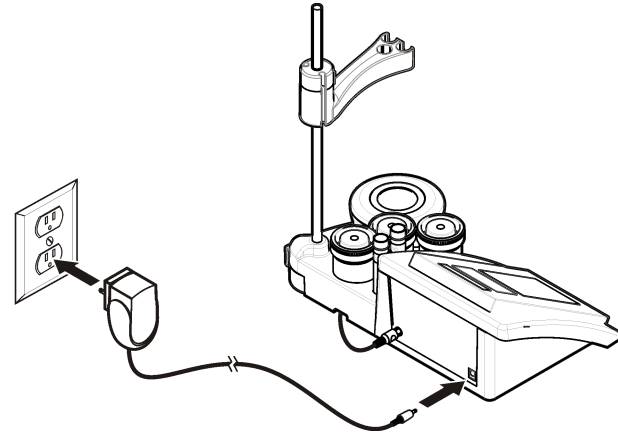
1. Sélectionnez la fiche d'adaptateur appropriée à la prise électrique dans le kit adaptateur.
2. Branchez l'adaptateur d'alimentation universel à l'appareil (Figure 2).
3. Branchez l'adaptateur d'alimentation universel à une prise CA (Figure 3).
4. Allumez l'appareil.

**Figure 2** Panneau des connecteurs



1	Connecteur de l'agitateur magnétique 1, canal 1	7	Clavier PC, connecteur mini-DIN
2	Connecteur de l'électrode de référence (électrodes séparées), canal 1	8	Connecteur de la sonde de température, canal 2
3	Connecteur de l'électrode de référence (électrodes séparées), canal 2	9	Connecteur de l'électrode (ou indicateur) pH combinée, canal 2
4	Connecteur de la sonde de température séparée, canal 2	10	Connecteur de l'électrode (ou indicateur) pH combinée, canal 1
5	Connecteur RS-232 pour imprimante ou PC	11	Connecteur de l'agitateur magnétique 2, canal 2
6	Alimentation		

**Figure 3** Branchement sur alimentation CA

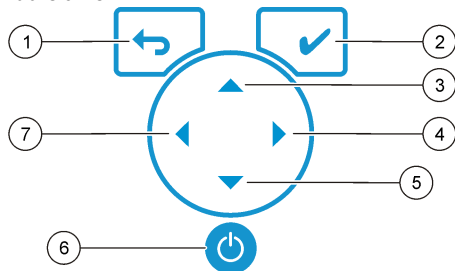




# Interface utilisateur et navigation

## Interface utilisateur

### Description du clavier

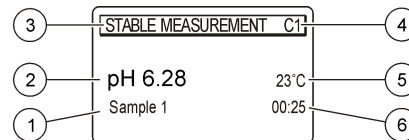


1 Touche RETURN (RETOUR) : permet de modifier ou de quitter l'écran actuel pour revenir à l'écran précédent	5 Touche BAS : permet de faire défiler les autres options ou de modifier une valeur
2 Touche MEASUREMENT (MESURE) : valide l'option sélectionnée	6 MARCHE/ARRET : allumage ou extinction de l'appareil
3 Touche HAUT : permet de faire défiler les autres options ou de modifier une valeur	7 Touche GAUCHE : permet de passer du Canal 1 au Canal 2 et de saisir nombres et lettres
4 Touche DROITE : permet de passer du Canal 1 au Canal 2 et de saisir nombres et lettres	

### Description de l'affichage

L'affichage de l'appareil de mesure indique la concentration, les unités, la température, l'état d'étalonnage, l'ID d'opérateur, l'ID d'échantillon, la date et l'heure.

Figure 4 Affichage sur écran unique



1 ID d'échantillon	4 Température d'échantillon (°C ou °F)
2 Unité de mesure et valeur (pH, ORP (mV) ou ISE)	5 Minuteur visuel de mesure
3 Mode de mesure ou date et heure	

### Navigation

Appuyez sur ↩ pour revenir au menu précédent. Utilisez la touche de mesure ✓ pour mesurer un échantillon ou valider une option. Utilisez les touches fléchées ▲ ▼ pour accéder à d'autres options ou modifier une valeur. Pour modifier les paramètres, utilisez les touches fléchées ◀ et ▶. Consultez les instructions spécifiques à chaque tâche.

### Démarrage

#### Allumage et extinction de l'appareil de mesure

**AVIS**

Veillez à ce que la sonde soit connectée à l'appareil de mesure avant d'allumer l'appareil de mesure.

Appuyez sur la touche ⏻ pour allumer ou éteindre l'appareil de mesure. Si l'appareil ne s'allume pas, vérifiez que l'alimentation CA est bien branchée à une prise électrique.

## Modifier la langue

La langue de l'affichage est sélectionnée au premier allumage de l'appareil.

1. Utilisez les touches ▲ ou ▼ pour sélectionner une langue dans la liste.
2. Validez en appuyant sur ✓. L'écran de mesure indique DATA OUTPUT (SORTIE DONNEES).
3. Sélectionnez Deactivated (Désactivé) si aucun PC ou imprimante n'est connecté, puis validez. Reportez-vous à la section [Sélectionner le type de sortie de données](#) à la page 65 pour plus de renseignements sur la sortie de données.

## Fonctionnement standard

### Etalonnage

#### ▲ AVERTISSEMENT

Risque d'exposition chimique. Respectez les procédures de sécurité du laboratoire et portez tous les équipements de protection personnelle adaptés aux produits chimiques que vous manipulez. Reportez-vous aux fiches techniques de sécurité des matériaux (MSDS) pour connaître les protocoles de sécurité.

### Paramètres d'étalonnage

Les paramètres d'étalonnage comprennent le type et la fréquence d'étalonnage, ainsi que les options d'affichage.

1. Dans le menu principal, utilisez les touches ▲ ou ▼ pour sélectionner CALIBRATION (ETALONNAGE). Validez.
2. Utilisez la touche ▲ pour accéder au menu Calibration (Etalonnage).
3. Utilisez les touches ▲ ou ▼ pour sélectionner les options suivantes :

Option	Description
Stability C. (Stabilité)	Critère de stabilité ; sélectionnez Fast (Rapide), Standard (Normal) ou Strict.

Option	Description
Calibration type (Type d'étalonnage)	Type d'étalonnage ; sélectionnez Technical Buffers (Tampons techniques), DIN19266 Buffers (Tampons techniques), DIN19266 Buffers (Tampons utilisateur), User Buffers (Tampons utilisateur), To a X value (A une valeur X), data introduction (Introduction de données) ou Theoretical calibration (Etalonnage théorique). Pour en savoir plus, reportez-vous à la section <a href="#">Calibration types</a> .
Cal. frequency (Fréquence d'étal.)	Rappel d'étalonnage ; peut être réglé entre 0 et 7 jours (par défaut : quotidien). L'écran indique le temps restant avant le prochain étalonnage. Pour en savoir plus, reportez-vous à la section <a href="#">Régler le rappel d'étalonnage</a> à la page 64.
Display mV (Afficher mV)	Affichage mV ; sélectionnez YES (OUI) ou NO (NON) pour afficher les mV.
Standard 220 mV (Etalon 220 mV)	Etalon 220 mV ; étalonnage avec une solution étalon 220 mV.
To a X value (A une valeur X)	A une valeur X ; utilise une solution étalon spécifique. Ajuste la valeur lors de l'étalonnage.
Data introduction (Introduction de données)	Compensation de l'introduction de données ; saisissez la valeur de compensation.
Factory adjust (Réglage d'usine)	Réglage d'usine ; saisissez la valeur de compensation.

### Types d'étalonnage

Différents types d'étalonnage peuvent être sélectionnés.

1. Dans le menu principal, utilisez les touches ▲ ou ▼ pour sélectionner CALIBRATION (ETALONNAGE). Validez.
2. Utilisez la touche ▲ pour accéder au menu Calibration (Etalonnage).
3. Utilisez les touches ▲ ou ▼ pour sélectionner le type d'étalonnage.

Option	Description
Technical buffers (Tampons techniques)	pH 2,00, 4,01, 7,00, 9,21 et 10.01 à 25 °C (77 °F)

Option	Description
<b>DIN19266 Buffers (Tampons DIN19266)</b>	pH 1,679, 4,006, 6,865, 7,000, 9,180, 10,012 et 12,454
<b>User Buffers (Tampons utilisateur)</b>	Sélectionnés lors que les tampons techniques ou DIN19266 ne sont pas utilisés. Reportez-vous au <a href="#">Solutions tampons techniques (DIN 19267)</a> à la page 72 pour connaître les valeurs pH d'un tampon spécifique réglé à diverses températures.
<b>Calibration to a X value (Étalonnage à une valeur X)</b>	Pour le réglage manuel d'une échelle de valeurs pH mesurée.
<b>Data introduction (Introduction de données)</b>	Introduction constante de la sonde manuelle.
<b>Theoretical calibration (Étalonnage théorique)</b>	Les données d'étalonnage de la sonde sont remplacées à 25 °C (77 °F).

## Procédure d'étalonnage

Cette procédure s'utilise généralement avec des solutions d'étalonnage liquides. Reportez-vous aux documents inclus avec chaque sonde pour plus d'informations.

**Remarque :** Les solutions doivent être brassées lors de l'étalonnage. Pour plus d'informations sur les paramètres de brassage, reportez-vous à [Modifier les paramètres de brassage](#) à la page 66.

1. Versez les solutions tampons et d'étalonnage dans les béchers d'étalonnage étiquetés.
2. Dans le menu principal, utilisez les touches ▲ ou ▼, ◀ et ▶ pour sélectionner le paramètre CALIBRATION (ETALONNAGE). Validez.
3. Si nécessaire, sélectionnez l'ID opérateur (1 à 10), puis validez.
4. Rincez la sonde à l'eau déminéralisée et placez-la dans le premier bécher d'étalonnage. Vérifiez qu'aucune bulle d'air ne s'est formée dans la membrane.
5. Appuyez sur ✓ pour lancer l'étalonnage.
6. Appuyez sur ✓ pour mesurer la première solution d'étalonnage. La solution d'étalonnage suivante apparaît.

7. Rincez la sonde à l'eau déminéralisée et placez-la dans le deuxième bécher d'étalonnage. Vérifiez qu'aucune bulle d'air ne s'est formée dans la membrane.
8. Appuyez sur ✓ pour mesurer la seconde solution d'étalonnage. La solution d'étalonnage suivante apparaît.
9. Rincez la sonde à l'eau déminéralisée et placez-la dans le troisième bécher d'étalonnage. Vérifiez qu'aucune bulle d'air ne s'est formée dans la membrane.
10. Appuyez sur ✓ pour mesurer la troisième solution d'étalonnage. Une fois l'étalonnage correct, l'écran affiche brièvement Calibration OK (Étalonnage OK), puis repasse au menu principal.  
**Remarque :** Si une imprimante est connectée, le menu d'impression apparaît et les résultats peuvent être imprimés.

## Afficher les données d'étalonnage

Les données d'étalonnage les plus récentes peuvent être affichées.

1. Dans le menu principal, utilisez les touches ▲ ou ▼ pour sélectionner DATA LOGGER (ENREGISTREUR DE DONNEES). Validez.
2. Sélectionnez Display data (Afficher données).
3. Sélectionnez Calibration data (Données d'étalonnage), puis validez en appuyant sur ✓. Les dernières données d'étalonnage apparaissent.
  - pH : les données d'inclinaison et de décalage sont affichées en alternance avec la déviation (en %) et la température d'étalonnage.
  - ORP : la valeur mV mesurée et la température d'étalonnage sont affichées.
  - Conductivité : la constante de cellule et la température d'étalonnage pour chaque étalon sont affichées.

## Régler le rappel d'étalonnage

Le rappel d'étalonnage peut être réglé entre 0 et 23 heures, ou entre 1 et 7 jours (par défaut : 1 jour). L'écran indique le temps restant avant le prochain étalonnage.

**Remarque :** Lorsque 0 jour est sélectionné, le rappel d'étalonnage est désactivé.

1. Dans le menu principal, utilisez les touches ▲ ou ▼ pour sélectionner CALIBRATION (ETALONNAGE). Validez.
2. Utilisez la touche ▲ pour accéder au menu Calibration (Etalonnage).
3. Utilisez les touches ▲ ou ▼ pour sélectionner Cal. frequency (Fréquence étal.), puis validez
4. Utilisez les touches ◀ et ▶ pour passer à l'étape suivante, et les touches ▲ et ▼ pour modifier une valeur. Validez. Appuyez sur la touche ✓ pour lancer l'étalonnage.

## Mesures d'échantillon

Chaque sonde dispose d'étapes de préparation et de procédures spécifiques pour les mesures d'échantillons.

1. Dans le menu principal, utilisez les touches ▲ ou ▼, ◀ et ▶ pour sélectionner MEASURE (MESURE). Validez.
2. Utilisez la touche ▲ pour modifier les paramètres suivants. Validez chaque entrée.

Options	Descriptions
<b>Résolution</b>	Sélectionne la résolution : 1, 0,1, 0,01 (par défaut) ou 0,001
<b>Measure (Mesure)</b>	Stabilité ; sélectionnez le critère de stabilité : Fast (Rapide) (variation < 0,02 pH en 6 s), Standard (Normal) (variation < 0,01 pH en 6 s) ou Strict (variation < 0,002 pH en 6 s). En continu ; saisissez l'intervalle de temps pour l'intervalle d'acquisition In continuous (En continu) (stockage ou impression des données). Par durée ; saisissez l'intervalle de temps pour le stockage ou l'impression des données.
<b>Display mV (Afficher mV)</b>	Affichage mV ; sélectionnez YES (OUI) ou NO (NON) pour afficher les mV.

Options	Descriptions
<b>Limits (Limites)</b>	Limites ; sélectionnez YES (OUI) ou NO (NON). YES (OUI) : saisissez les limites supérieures et inférieures. Un avertissement sonore est émis lorsque la mesure est hors limite. Le rapport édité comporte un A en regard de la valeur mesurée lorsque la mesure était hors limite.
<b>Isopotential (Isopotentiel)</b>	Isopotentiel ; modifie la valeur de pH isopotentiel en mode Data introduction (Introduction de données). Sélectionnez Calculate (Calculer) pour réétalonner la sonde.

3. Appuyez sur la touche ✓ pour lancer la mesure.

**Remarque :** Si la mesure ne se stabilise pas après 120 secondes, l'appareil passe automatiquement en mode de mesure continue.

## Utilisation avancée

### Modifier les unités de mesure

Les unités de mesure peuvent être modifiées individuellement pour chaque canal.

1. Dans le menu principal, utilisez les touches ▲ ou ▼ pour sélectionner SYSTEM (SYSTEME). Validez.
2. Utilisez les touches ▲ ou ▼ pour sélectionner Measurement units (Unités de mesure), puis validez.
3. Sélectionnez Channel 1 (Canal 1) ou Channel 2 (Canal 2), puis validez.
4. Sélectionnez ORP (mV), pH ou ISE, puis validez.

### Utiliser un ID d'échantillon

L'étiquette d'ID d'échantillon permet d'associer les mesures à un emplacement d'échantillon spécifique. Les données enregistrées incluent cette identification si elle est attribuée.

1. Dans le menu principal, utilisez les touches ▲ ou ▼ pour sélectionner SYSTEM (SYSTEME). Validez.

- Utilisez les touches ▲ ou ▼ pour sélectionner Sample ID (ID d'échantillon), puis validez.
- Utilisez les touches ▲ ou ▼ pour sélectionner

Options	Descriptions
<b>Automatic (Automatique)</b>	Des nombres consécutifs seront automatiquement affectés à chaque échantillon.
<b>Manual (Manuel)</b>	Un clavier ou un scanner de codes à barres sont nécessaires pour saisir le nom de l'ID d'échantillon avant d'effectuer une mesure (15 caractères maximum).

## Sélectionner le type de sortie de données

Les données peuvent être stockées ou transférées vers une imprimante ou un PC.

- Dans le menu principal, utilisez les touches ▲ ou ▼ pour sélectionner SYSTEM (SYSTEME). Validez.
- Utilisez les touches ▲ ou ▼ pour sélectionner Data Output (Sortie de données), puis validez.
- Utilisez les touches ▲ ou ▼ pour sélectionner

Option	Description
<b>Deactivated (Désactivé)</b>	Sélectionnez Deactivated (Désactivé) si aucun PC ou imprimante n'est connecté.
<b>For Printer (Pour imprimante)</b>	Sélectionnez Dot matrix printer (Imprimante matricielle) ou Thermal printer (Imprimante thermique).
<b>For Computer (Pour ordinateur)</b>	Sélectionnez Terminal, LabCom ou LabCom Easy. Le logiciel LabCom permet de contrôler plusieurs modules, les appareils de mesure de pH et de conductivité, les burettes automatiques, les échantillons et bien d'autres éléments depuis un ordinateur. Le logiciel LabCom Easy récupère les données de pH et de conductivité depuis un PC.

## Modifier la date et l'heure

La date et l'heure sont modifiables depuis le menu Date / Time (Date et heure).

- Dans le menu principal, utilisez les touches ▲ et ▼ pour sélectionner SYSTEM (SYSTEME). Validez.
- Utilisez les touches ▲ ou ▼ pour sélectionner Date / Time (Date et heure), puis validez.
- Utilisez les touches ◀ et ▶ pour passer à l'étape suivante, et les touches ▲ et ▼ pour modifier une valeur. Validez. La date et l'heure en cours apparaissent sur l'écran.

## Régler le contraste écran

- Dans le menu principal, appuyez sur les touches ▲ ou ▼ pour sélectionner SYSTEM (SYSTEME). Validez.
- Utilisez les touches ▲ ou ▼ pour sélectionner Display contrast (Contraste écran), puis validez.
- Utilisez les touches ◀ et ▶ pour régler le contraste de l'écran, puis validez.

## Régler la température

Il est possible de régler la mesure de la température à 25 °C (77 °F) et/ou 85 °C (185 °F) afin d'améliorer la précision.

- Placez la sonde et un thermomètre de référence dans un récipient d'eau à environ 25 °C et laissez la température se stabiliser.
- Comparez le relevé de température de l'appareil de mesure avec celui du thermomètre de référence. La différence est la valeur d'ajustement de l'appareil de mesure. Exemple : thermomètre de référence : 24,5 °C ; appareil de mesure : 24,3 °C. Valeur d'ajustement : 0,2 °C.
- Entrez la valeur d'ajustement pour le relevé de 25 °C :
  - Dans le menu principal, utilisez les touches ▲ ou ▼ pour sélectionner SYSTEM (SYSTEME). Validez.

- b. Utilisez les touches ▲ ou ▼ pour sélectionner Readjust temp. (Réglage temp.), puis validez.
  - c. Sélectionnez Canal 1 ou Canal 2, puis validez. La température du canal 1 est mesurée par la cellule de conductivité, et celle du canal 2, par la sonde pH. Si aucune cellule de conductivité n'est connectée, la température doit être saisie manuellement, ou la température mesurée au canal 2 doit être appliquée.
  - d. Utilisez les touches ▲ ou ▼ pour sélectionner 25 °C, puis confirmez.
  - e. Utilisez les touches fléchées pour saisir la valeur d'ajustement de 25 °C. Validez.
4. Placez la sonde et un thermomètre de référence dans un récipient d'eau à environ 85 °C et laissez la température se stabiliser.
  5. Comparez le relevé de température de l'appareil de mesure avec celui du thermomètre de référence. La différence est la valeur d'ajustement de l'appareil de mesure.
    - a. Utilisez les touches ▲ ou ▼ pour sélectionner 85°C, puis confirmez.
    - b. Utilisez les touches fléchées pour saisir la valeur d'ajustement de 85 °C. Validez.
    - c. Sélectionnez Save changes (Enregistrer modifications), puis confirmez.

## Modifier les paramètres de brassage

L'agitateur magnétique peut être activé et la vitesse de brassage modifiée dans le menu Stirring (Brassage).

1. Dans le menu principal, utilisez les touches ▲ ou ▼ pour sélectionner SYSTEM (SYSTEME). Validez.
2. Utilisez les touches ▲ ou ▼ pour sélectionner Stirring (Brassage), puis validez.
3. Pour activer/désactiver l'agitateur, appuyez sur ✓.
4. Lorsque l'agitateur est activé, utilisez les touches ▲ ou ▼ pour modifier la vitesse de brassage en %.

**Remarque :** Utilisez les touches ▲ ou ▼ pour modifier la vitesse de brassage lors de l'étalonnage ou au cours d'une mesure.

## Activer/désactiver l'agitateur

L'agitateur 1 fonctionne pour les canaux 1 et 2 (Agitateur 1). Un second agitateur peut être branché au canal 2 (Agitateur 2). Pour activer l'agitateur 2, reportez-vous aux étapes suivantes.

1. Dans le menu principal, utilisez les touches ▲ ou ▼ pour sélectionner SYSTEM (SYSTEME). Validez en appuyant sur ✓.
2. Utilisez les touches ▲ ou ▼ pour sélectionner l'agitateur 2 et validez en appuyant sur ✓.
3. Utilisez les touches ▲ ou ▼ pour sélectionner YES (OUI) et activer l'agitateur 2.

**Remarque :** Sélectionnez NO (NON) pour désactiver l'agitateur 2.

## Modifier les unités de température

Les unités de température peuvent être indiquées en Celsius ou en Fahrenheit.

1. Dans le menu principal, utilisez les touches ▲ ou ▼ pour sélectionner SYSTEM (SYSTEME). Validez.
2. Utilisez les touches ▲ ou ▼ pour sélectionner Temperature units (Unités de température), puis validez.
3. Utilisez les touches ▲ ou ▼ pour sélectionner Celsius ou Fahrenheit, puis validez.

## Enregistreur de données

### Afficher les données

Le journal d'affichage des données contient les données de mesure, les rapports d'électrodes et les données d'étalonnage. Les données enregistrées peuvent être envoyées vers une imprimante ou un PC. Quand le journal des données est plein (400 points de mesure), les points de données les plus anciens sont supprimés lorsque de nouveaux points de données sont ajoutés.

1. Utilisez les touches ◀ ou ▶ pour sélectionner Channel 1 (Canal 1) ou Channel 2 (Canal 2), puis validez.

2. Dans le menu principal, utilisez les touches ▲ ou ▼ pour sélectionner SYSTEM (SYSTEME). Validez.
3. Utilisez les touches ▲ ou ▼ pour sélectionner DATA LOGGER (ENREGISTEUR DE DONNEES), puis validez.
4. Utilisez les touches ▲ ou ▼ pour sélectionner Display data (Afficher les données), puis validez.
5. Appuyez sur les touches ▲ ou ▼ pour sélectionner

Options	Descriptions
<b>Measurement data (Données de mesure)</b>	Données de mesure ; enregistre automatiquement chaque échantillon mesuré
<b>Electrode report (Rapport d'électrode)</b>	Rapport d'électrode ; enregistre automatiquement l'historique de l'électrode et les conditions de mesure
<b>Calibration data (Données d'étalonnage)</b>	Données d'étalonnage ; enregistre automatiquement l'étalonnage actuel

## Supprimer des données

Les données de mesure et le journal d'électrode peuvent être supprimés, afin d'effacer des données déjà envoyées vers un PC ou une imprimante.

1. Dans le menu principal, utilisez les touches ▲ ou ▼ pour sélectionner SYSTEM (SYSTEME). Validez.
2. Utilisez les touches ▲ ou ▼ pour sélectionner DATA LOGGER (ENREGISTEUR DE DONNEES), puis validez.
3. Utilisez les touches ▲ ou ▼ pour sélectionner Erase (Effacer), puis validez.
4. Utilisez les touches ▲ ou ▼ pour sélectionner Measurement data (Données de mesure) ou Electrode report (Rapport d'électrode), puis validez. Validez à nouveau pour supprimer les données. Tout le journal est supprimé.

## Envoyer des données vers une imprimante ou un PC

### AVIS

La sortie des données (imprimante ou PC) doit être sélectionnée en premier lieu, afin que le menu Print (Imprimer) soit disponible (reportez-vous à [Sélectionner le type de sortie de données](#) à la page 65).

**Remarque :** Reportez-vous à la section [Editer un rapport](#) à la page 67 pour sélectionner le type d'édition de rapport.

1. Dans le menu principal, utilisez les touches ▲ ou ▼ pour sélectionner SYSTEM (SYSTEME). Validez.
2. Utilisez les touches ▲ ou ▼ pour sélectionner DATA LOGGER (ENREGISTEUR DE DONNEES), puis validez.
3. Utilisez les touches ▲ ou ▼ pour sélectionner Print (Imprimer), puis validez. Sélectionnez l'une des options suivantes, puis validez en appuyant sur la touche ✓ pour imprimer les données : Measurement data (Données de mesure), Electrode data (Données d'électrode), Calibration data (Données d'étalonnage), Calibration report (Rapport d'étalonnage) or Instrument condit (Conditions de l'appareil).

## Editer un rapport

### AVIS

La sortie des données (imprimante ou PC) doit être sélectionnée en premier lieu, afin que le menu Type of report (Type de rapport) soit disponible (reportez-vous à [Sélectionner le type de sortie de données](#) à la page 65).

Différents types d'édition de rapport peuvent être sélectionnés lorsqu'une imprimante ou un PC est connecté.

1. Dans le menu principal, utilisez les touches ▲ ou ▼ pour sélectionner SYSTEM (SYSTEME). Validez.
2. Utilisez les touches ▲ ou ▼ pour sélectionner le type de rapport, puis validez.

3. Lorsqu'une imprimante ou un ordinateur est connecté à l'appareil, utilisez les touches ▲ ou ▼ pour sélectionner

Option	Description
<b>Reduced (Réduit)</b>	Sélectionnez le format de sortie : One (échantillon unique) ou Several (échantillons multiples).
<b>Standard</b>	Sélectionnez le format de sortie : One (échantillon unique) ou Several (échantillons multiples). Sélectionnez Several (Echantillons multiples) : <b>Users (Utilisateurs)</b> : le nom de l'utilisateur apparaît sur le rapport imprimé (17 caractères). <b>Header (En-tête)</b> : le nom de l'entreprise peut être ajouté en guise d'en-tête (40 caractères) et apparaîtra sur le rapport imprimé. <b>Identify sensor (Identifiant capteur)</b> : le modèle et le numéro de série du capteur peuvent être ajoutés afin d'apparaître sur le rapport imprimé.
<b>GLP</b>	Sélectionnez le format de sortie : One (échantillon unique) ou Several (échantillons multiples). Sélectionnez Several (Echantillons multiples) : <b>Users (Utilisateurs)</b> : le nom de l'utilisateur apparaît sur le rapport imprimé (17 caractères). <b>Header (En-tête)</b> : le nom de l'entreprise peut être ajouté en guise d'en-tête (40 caractères) et apparaîtra sur le rapport imprimé. <b>Identify sensor (Identifiant capteur)</b> : le modèle et le numéro de série du capteur peuvent être ajoutés afin d'apparaître sur le rapport imprimé.

4. Lorsqu'un ordinateur est connecté et que LabCom Easy (reportez-vous à la section [Sélectionner le type de sortie de données](#) à la page 65 pour plus d'informations) est sélectionné, utilisez les touches ▲ ou ▼ pour sélectionner

Option	Description
<b>Users (Utilisateurs)</b>	Le nom de l'utilisateur apparaît sur le rapport imprimé (17 caractères).
<b>Identify sensor (Identifiant capteur)</b>	Le modèle et le numéro de série du capteur peuvent être ajoutés afin d'apparaître sur le rapport imprimé.

## Maintenance

### ▲ AVERTISSEMENT

Dangers multiples. Ne démontez pas l'appareil pour l'entretien. Si les composants internes doivent être nettoyés ou réparés, contactez le fabricant.

### ▲ ATTENTION

Risque de blessures corporelles Seul le personnel qualifié est autorisé à entreprendre les opérations décrites dans cette section du manuel.

## Nettoyage de l'appareil

### AVIS

N'utilisez jamais d'agents de nettoyage tels que térébenthine, acétone ou autres produits similaires pour nettoyer l'appareil, ni son écran et ses accessoires.

Nettoyez l'extérieur de l'appareil avec un chiffon humide et une solution de détergent doux.

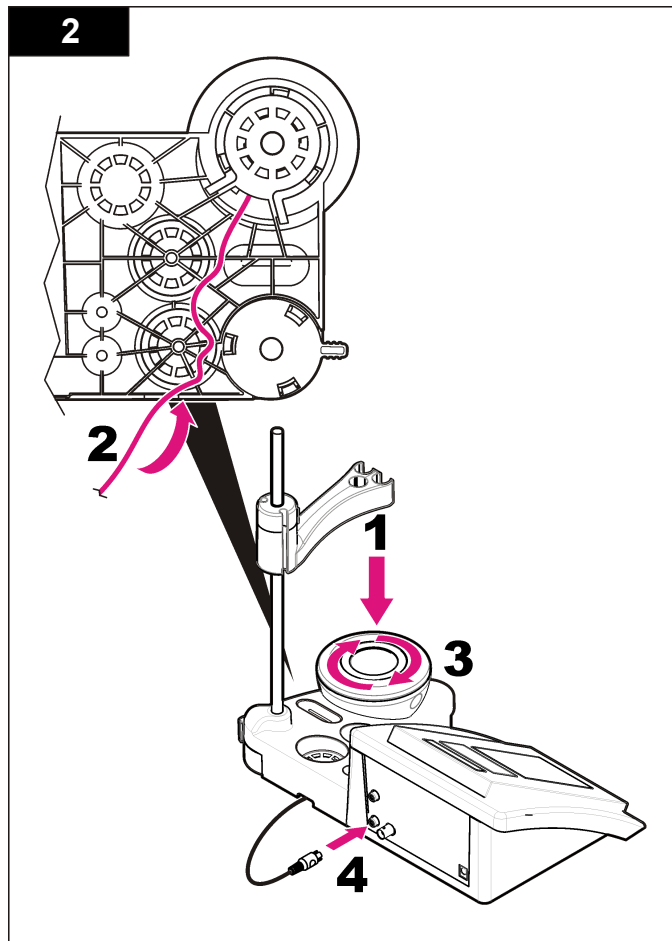
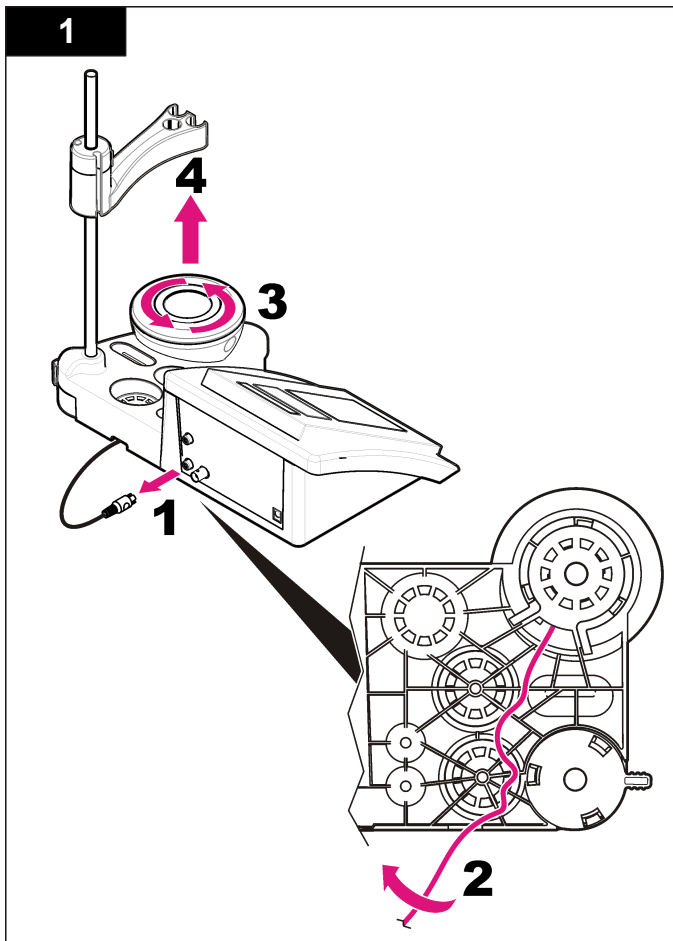
## Nettoyer la sonde

Nettoyez la sonde selon les besoins. Reportez-vous à la section [Dépannage](#) à la page 70 pour plus d'informations sur le nettoyage. Reportez-vous à la documentation de la sonde pour plus d'informations sur son entretien.

## Remplacer l'agitateur magnétique

Si l'agitateur magnétique ne démarre pas, remplacez-le en respectant les étapes dans l'ordre.





## Dépannage

Consulter le tableau ci-dessous des messages ou symptômes les plus courants, pour trouver les causes possibles et actions correctives.

**Tableau 1 Avertissements et erreurs d'étalonnage**

Erreur/Avertissement	Solution
Asymétrie > 58 mV	Inclinaison hors plage (valeurs acceptées $\pm 58$ mV). Réétalonnez. Branchez une nouvelle sonde.
Tampon ou électrode en mauvais état.	Examen de la sonde : nettoyez la sonde (reportez-vous à la section <a href="#">Nettoyer la sonde</a> à la page 68 pour plus d'informations) ; vérifiez qu'aucune bulle d'air ne s'est formée dans la membrane. Agitez la sonde comme un thermomètre ; branchez une autre sonde pour vérifier si le problème provient de la sonde ou de l'appareil.  Examen de la solution tampon : vérifiez que le tampon est conforme à celui spécifié dans la configuration ; vérifiez que la température est conforme à celle spécifiée dans la configuration ; utilisez une nouvelle solution tampon.
TAMPON NON RECONNU	Réétalonnez.
Sens. (a) < 70 %	Examen de la sonde : nettoyez la sonde (reportez-vous à la section <a href="#">Nettoyer la sonde</a> à la page 68 pour plus d'informations) ; vérifiez qu'aucune bulle d'air ne s'est formée dans la membrane. Agitez la sonde comme un thermomètre ; branchez une autre sonde pour vérifier si le problème provient de la sonde ou de l'appareil.  Examen de la solution tampon : vérifiez que le tampon est conforme à celui spécifié dans la configuration ; vérifiez que la température est conforme à celle spécifiée dans la configuration ; utilisez une nouvelle solution tampon.

**Tableau 1 Avertissements et erreurs d'étalonnage (suite)**

Erreur/Avertissement	Solution
RESULTAT INSTABLE Durée > 100 s	Réétalonnez.  Examen de la sonde : nettoyez la sonde (reportez-vous à la section <a href="#">Nettoyer la sonde</a> à la page 68 pour plus d'informations) ; vérifiez qu'aucune bulle d'air ne s'est formée dans la membrane. Agitez la sonde comme un thermomètre ; branchez une autre sonde pour vérifier si le problème provient de la sonde ou de l'appareil.  Vérifiez que la membrane et le diaphragme sont correctement immergés dans l'échantillon.
Vérification de la température. Vérification de l'électrode.	Vérifiez que la température spécifiée au moment de la configuration est correcte.  Examen de la sonde : nettoyez la sonde (reportez-vous à la section <a href="#">Nettoyer la sonde</a> à la page 68 pour plus d'informations) ; vérifiez qu'aucune bulle d'air ne s'est formée dans la membrane. Agitez la sonde comme un thermomètre ; branchez une autre sonde pour vérifier si le problème provient de la sonde ou de l'appareil.
Electrode en mauvais état.	Examen de la sonde : nettoyez la sonde (reportez-vous à la section <a href="#">Nettoyer la sonde</a> à la page 68 pour plus d'informations) ; vérifiez qu'aucune bulle d'air ne s'est formée dans la membrane. Agitez la sonde comme un thermomètre ; branchez une autre sonde pour vérifier si le problème provient de la sonde ou de l'appareil.
Vérification de l'électrode.	Examen de la sonde : nettoyez la sonde (reportez-vous à la section <a href="#">Nettoyer la sonde</a> à la page 68 pour plus d'informations) ; vérifiez qu'aucune bulle d'air ne s'est formée dans la membrane. Agitez la sonde comme un thermomètre ; branchez une autre sonde pour vérifier si le problème provient de la sonde ou de l'appareil.
TAMPONS IDENTIQUES	Réétalonnez.  Examen de la sonde : nettoyez la sonde (reportez-vous à la section <a href="#">Nettoyer la sonde</a> à la page 68 pour plus d'informations) ; vérifiez qu'aucune bulle d'air ne s'est formée dans la membrane. Agitez la sonde comme un thermomètre ; branchez une autre sonde pour vérifier si le problème provient de la sonde ou de l'appareil.  Examen de la solution tampon : utilisez une nouvelle solution tampon.

**Tableau 2 Avertissements et erreurs de mesure**

Erreur/Avertissement	Solution
pH 12,78, 19 °C	Réétalonnez.
pH hors plage	Examen de la sonde : nettoyez la sonde (reportez-vous à la section <b>Nettoyer la sonde</b> à la page 68 pour plus d'informations) ; vérifiez qu'aucune bulle d'air ne s'est formée dans la membrane. Agitez la sonde comme un thermomètre ; branchez une autre sonde pour vérifier si le problème provient de la sonde ou de l'appareil.
Temp. hors plage (°C)	Examinez le capteur de température. Branchez une autre sonde pour vérifier si le problème provient de la sonde ou de l'appareil.
Durée > 60 s	Vérifiez que la membrane et le diaphragme sont correctement immergés dans l'échantillon. Examinez la température. Examen de la sonde : nettoyez la sonde (reportez-vous à la section <b>Nettoyer la sonde</b> à la page 68 pour plus d'informations) ; vérifiez qu'aucune bulle d'air ne s'est formée dans la membrane. Agitez la sonde comme un thermomètre ; branchez une autre sonde pour vérifier si le problème provient de la sonde ou de l'appareil.
Durée > 150 s	
Durée > 300 s	
10,389 mg/l >>>>> 00012 00:13	Mesure ISE : la valeur mesurée est supérieure à l'étalon le plus élevé utilisé lors de l'étalonnage. Mesurez à nouveau.
0,886 mg/l <<<<<< 00018 00:11	Mesure ISE : la valeur mesurée est inférieure à l'étalon le plus faible utilisé lors de l'étalonnage. Mesurez à nouveau.

## Pièces de rechange et accessoires

**Remarque :** Les numéros de référence de produit et d'article peuvent dépendre des régions de commercialisation. Prenez contact avec le distributeur approprié ou consultez le site web de la société pour connaître les personnes à contacter.

## Pièces de rechange

Description	Article n°
Appareil de mesure du pH sensION+ PH3 avec accessoires, sans sonde	LPV2000.98.0002
Appareil de mesure du pH sensION+ PH31, GLP, avec accessoires, sans sonde	LPV2100.98.0002
Appareil de mesure du pH et des ions sensION+ MM340, GLP, deux canaux, avec accessoires, sans sonde	LPV2200.98.0002
Appareil de mesure de la conductivité sensION+ EC7, avec accessoires, sans sonde	LPV3010.98.0002
Appareil de mesure de la conductivité sensION+ EC71, GLP, avec accessoires, sans sonde	LPV3110.98.0002
Appareil de mesure sensION+ MM374, deux canaux, GLP, avec accessoires, sans sonde	LPV4110.98.0002

## Consommables

Description	Article n°
Solution tampon pH 4.01, 125 mL	LZW9460.99
Solution tampon pH 7.00, 125 mL	LZW9461.98
Solution tampon pH 10.01, 125 mL	LZW9470.99
Solution tampon pH 4.01, 250 mL	LZW9463.99
Solution tampon pH 7.00, 250 mL	LZW9464.98
Solution tampon pH 10.01, 250 mL	LZW9471.99
Solution tampon pH 4.01, 1000 mL	LZW9466.99
Solution tampon pH 7.00, 1000 mL	LZW9467.98
Solution tampon pH 10.01, 1000 mL	LZW9472.99
Solution électrolytique (KCl 3M), 125 ml	LZW9510.99
Solution électrolytique (KCl 3M), 250 ml	LZW9500.99

## Pièces de rechange et accessoires (suite)

Description	Article n°
Solution électrolytique (KCl 3M), 50 ml	LZW9509.99
Solution électrolytique 0,1 M, 125 ml	LZW9901.99
Solution d'enzymes	2964349
Solution de nettoyage de pepsine	2964349
Solution de nettoyage d'électrode	2965249
Solution de HCl 0,1 N	1481253

## Accessoires

Description	Article n°
Imprimante thermique, RS232, pour appareil de bureau sensION+	LZW8201.99
Papier thermique pour imprimante LZW8201, sac de 5 rouleaux	LZW9117.99
Imprimante matricielle, RS232, pour instruments sensION+	LZW8200.99
Papier thermique pour imprimante LZW8200, sac de 10 rouleaux	LZW9000.99
Ruban pour imprimante LZW8200, 3 unités	LZW9001.99
Logiciel PC LabCom Easy, pour sensION+ GLP, CD, câble, adaptateur USB	LZW8997.99
Logiciel PC LabCom, pour sensION+ GLP, CD, câble, adaptateur USB	LZW8999.99
Câble RS232, pour instruments de bureau sensION+	LZW9135.99
Câble RS232 pour appareil de bureau sensION+, avec adaptateur USB	LZW9135USB.99
Agitateur magnétique avec support de capteur, pour appareil de bureau sensION+ MM	LZW9319.99

## Pièces de rechange et accessoires (suite)

Description	Article n°
3 béchers 50 ml gradués pour étalonnage pH des appareils de bureau	LZW9110.98
Support trois capteurs, pour les instruments de bureau sensION+	LZW9321.99
Support et pince pour trois capteurs	LZW9155.99
Chambre en pyrex, mesures de flux continues	LZW9118.99
Protecteur PP, logement pour électrode	LZW9161.99

## Solutions étalons

### Solutions tampons techniques (DIN 19267)

Reportez-vous au [Tableau 3](#) pour connaître les valeurs pH et ORP (mV) d'un tampon spécifique réglé à diverses températures.

**Tableau 3 Valeurs pH, ORP (mV) et température**

Température		pH					mV
°C	°F						
0	32	2,01	4,01	7,12	9,52	10,30	—
10	50	2,01	4,00	7,06	9,38	10,17	245
20	68	2,00	4,00	7,02	9,26	10,06	228
<b>25</b>	<b>77</b>	<b>2,00</b>	<b>4,01</b>	<b>7,00</b>	<b>9,21</b>	<b>10,01</b>	<b>220</b>
30	86	2,00	4,01	6,99	9,16	9,96	212
40	104	2,00	4,03	6,97	9,06	9,88	195
50	122	2,00	4,06	6,97	8,99	9,82	178
60	140	2,00	4,10	6,98	8,93	9,76	160
70	158	2,01	4,16	7,00	8,88	—	—

**Tableau 3 Valeurs pH, ORP (mV) et température (suite)**

Température		pH					mV
°C	°F						
80	176	2,01	4,22	7,04	8,83	—	—
90	194	2,01	4,30	7,09	8,79	—	—

**Solutions tampons (DIN 19266)**

Reportez-vous au [Tableau 4](#) pour connaître les valeurs pH et ORP (mV) d'un tampon spécifique réglé à diverses températures.

**Tableau 4 Valeurs pH, ORP (mV) et température**

Température		pH					mV	
°C	°F							
5	32	1,668	4,004	6,951	7,087	9,395	10,245	13,207
10	50	1,670	4,000	6,923	7,059	9,332	10,179	13,003
20	68	1,675	4,001	6,881	7,016	9,225	10,062	12,627
<b>25</b>	<b>77</b>	<b>1,679</b>	<b>4,006</b>	<b>6,865</b>	<b>7,000</b>	<b>9,180</b>	<b>10,012</b>	<b>12,454</b>
30	86	1,683	4,012	6,853	6,987	9,139	9,966	12,289
40	104	1,694	4,031	6,838	6,970	9,068	9,889	11,984
50	122	1,707	4,057	6,833	6,964	9,011	9,828	11,705
60	140	1,723	4,085	6,836	6,968	8,962	—	11,449
70	158	1,743	4,126	6,845	6,982	8,921	—	—
80	176	1,766	4,164	6,859	7,004	8,885	—	—
90	194	1,792	4,205	6,877	7,034	8,850	—	—

## Especificaciones

Las especificaciones están sujetas a cambios sin previo aviso.

Especificación	Detalles
Dimensiones	35 x 20 x 11 cm (13,78 x 7,87 x 4,33 pulg.)
Peso	1100 g (2,43 lb)
Carcasa del medidor	IP42
Requisitos de alimentación (externa)	100–240 V, 0,4 A, 47–63 Hz
Clase de protección del medidor	Clase II
Temperatura de almacenamiento	–15 a +65 °C (5 a +149 °F)
Temperatura de funcionamiento	0 a 40 °C (41 a 104 °F)
Humedad de funcionamiento	< 80% (sin condensación)
Resolución	pH: 0,1/0,01/0,001, ORP: 0,1/1 mV, ISE: programable, temperatura: 0,1 °C (0,18 °F)
Error de medición (± 1 dígito)	pH: ≤ 0,002, ORP: ≤ 0,2 mV, temperatura: ≤ 0,2 °C (≤ 0,36 °F)
Reproducibilidad (± 1 dígito)	pH: ± 0,001, ORP: ± 0,1 mV, temperatura: ± 0,1 °C (± 0,18 °F)
Almacenamiento de datos	330 resultados y 9 últimas calibraciones
Conexiones	2 sondas de indicador y combinadas: conector BNC (Imp. >10 <sup>12</sup> Ω); Electrodo de referencia: conector con punta cónica; tipo A.T.C. Pt 1000: conector con punta cónica o telefónico; agitador magnético: conector RCA, 2 agitadores magnéticos: conector RCA
Corrección de temperatura	Manual, sonda de temperatura Pt 1000 (A.T.C.), pH isopotencial programable, valor estándar 7,00

Especificación	Detalles
Bloqueo de pantalla de medición	Medición continua, por estabilidad
Pantalla	Cristal líquido, retroiluminada, 128 x 64 puntos
Teclado	PET con tratamiento de protección
Certificación	CE

## Información general

Las ediciones revisadas se encuentran en la página web del fabricante.

## Información de seguridad

### AVISO

El fabricante no es responsable de los daños provocados por un mal uso o aplicación incorrecta del producto. Entre estos daños se incluyen, sin limitación, los daños directos y accidentales. El usuario sólo es responsable de identificar los riesgos críticos de aplicación y de instalar adecuadamente los mecanismos para proteger los procesos en caso de que el equipo no funcione correctamente.

Lea todo el manual antes de desembalar, instalar o trabajar con este equipo. Ponga atención a todas las advertencias y avisos de peligro. El no hacerlo puede provocar heridas graves al usuario o daños al equipo.

Asegúrese de que la protección proporcionada por el equipo no está dañada. No utilice ni instale este equipo de manera distinta a lo especificado en este manual.

## Uso de la información sobre riesgos

### ▲ PELIGRO

Indica una situación potencial o de riesgo inminente que, de no evitarse, provocará la muerte o lesiones graves.

### ▲ ADVERTENCIA

Indica una situación potencial o inminentemente peligrosa que, de no evitarse, podría provocar la muerte o lesiones graves.

## ⚠ PRECAUCIÓN



Indica una situación potencialmente peligrosa que podría provocar una lesión menor o moderada.

## AVISO

Indica una situación que, si no se evita, puede provocar daños en el instrumento. Información que requiere especial énfasis.

### Etiquetas de precaución

Lea todas las etiquetas y rótulos adheridos al instrumento. En caso contrario, podrían producirse heridas personales o daños en el instrumento. Se incluye un símbolo, en caso de estar rotulado en el equipo, con una indicación de peligro o de advertencia en el manual.

	Este símbolo (en caso de estar colocado en el equipo) hace referencia a las instrucciones de uso o a la información de seguridad del manual.
	El equipo eléctrico marcado con este símbolo no se podrá desechar por medio de los sistemas europeos públicos de eliminación después del 12 de agosto de 2005. De acuerdo con las regulaciones locales y nacionales europeas (Directiva UE 2002/98/EC), ahora los usuarios de equipos eléctricos en Europa deben devolver los equipos viejos o que hayan alcanzado el término de su vida útil al fabricante para su eliminación sin cargo para el usuario. <i>Nota: Para devolver los equipos para su reciclaje, póngase en contacto con el fabricante o distribuidor para obtener instrucciones acerca de cómo devolver equipos que han alcanzado el término de su vida útil, accesorios eléctricos suministrados por el fabricante y todo elemento auxiliar, para su eliminación.</i>

### Descripción general del producto

Los medidores sensION™+ se utilizan con sondas para medir diversos parámetros en agua.

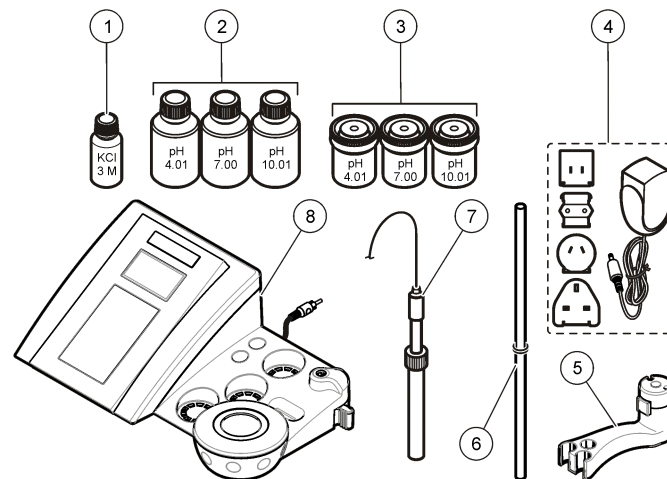
El medidor MM340 sensION™+ tiene dos canales de medición para medir el pH, ORP (mV) o ISE (concentración) con una sonda selectiva.

Los datos de medición se pueden guardar y transferir a una impresora o PC.

### Componentes del producto

Consulte la [Figura 1](#) para asegurarse de que se han recibido todos los componentes. Si faltan artículos o están dañados, póngase en contacto con el fabricante o el representante de ventas inmediatamente.

Figura 1 Componentes del medidor

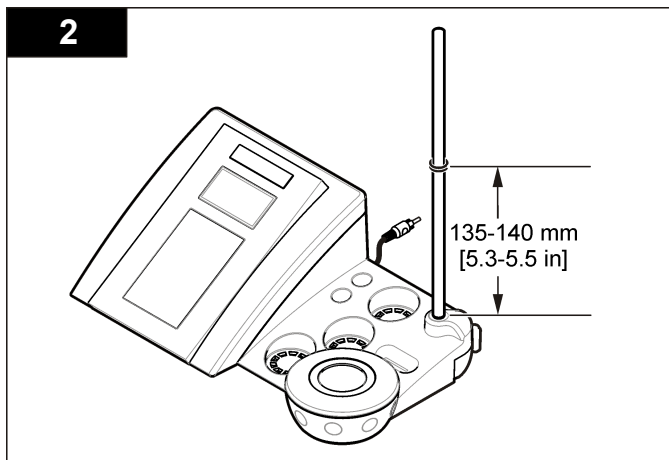
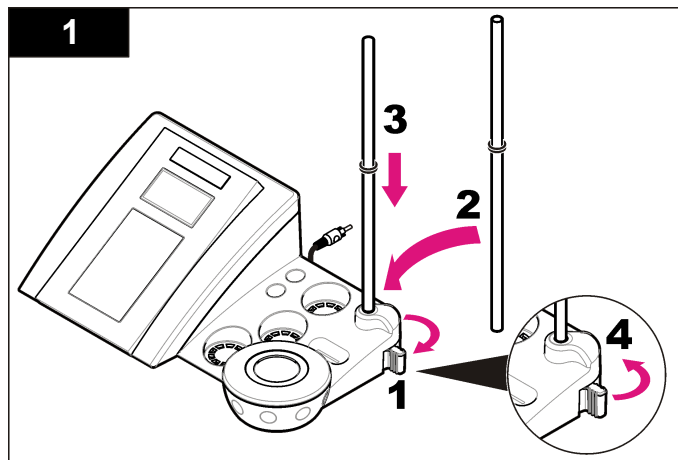


1 Electrolitos para la sonda	5 Portasondas
2 Soluciones buffer (pH 4,01, pH 7,00 y pH 10,01)	6 Varilla con junta tórica
3 Vasos de precipitados de calibración (con barra magnética interna)	7 Sonda (sólo incluida en los kits)
4 Fuente de alimentación	8 Medidor

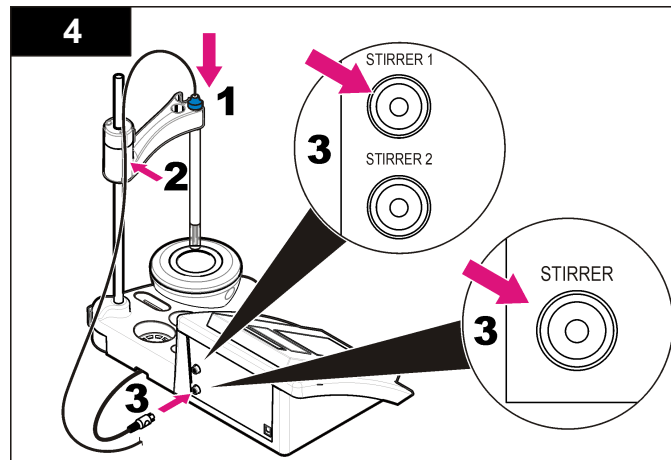
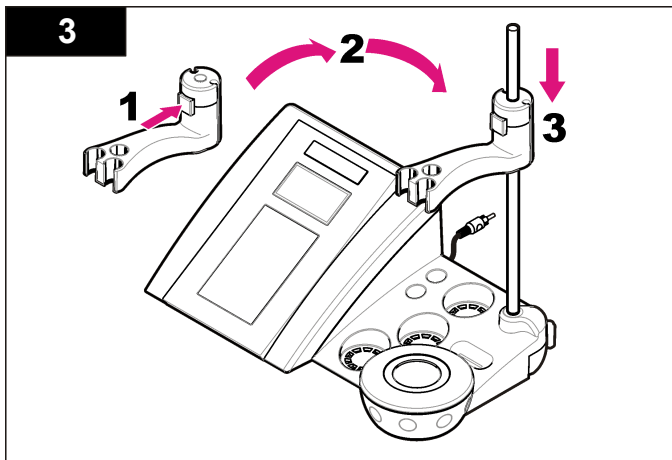
## Instalación

### Ensamblar el portasondas


Siga los pasos que se indican a continuación para ensamblar el portasondas y conectar el agitador magnético.







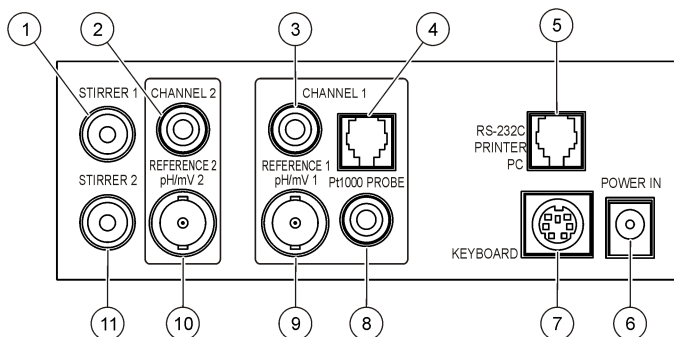
## Conectar a la alimentación de CA

<b>⚠ PELIGRO</b>	
	<p>Peligro de electrocución. Si este equipo se usa en exteriores o en lugares potencialmente húmedos, debe usarse un disyuntor de interrupción de circuito por falla a tierra (GFCI/GFI) para conectar el equipo a la alimentación eléctrica.</p>

El medidor puede utilizar alimentación de CA con el adaptador de corriente universal.

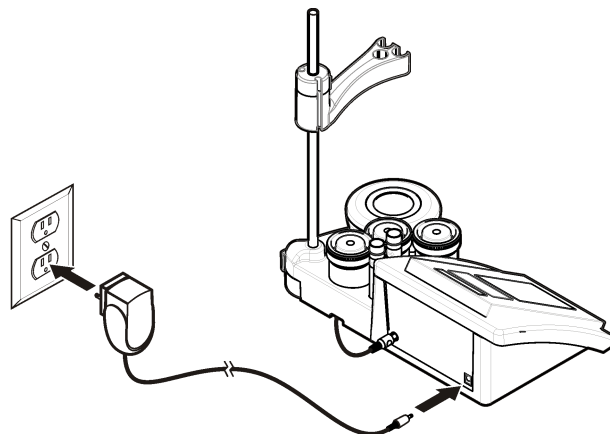
1. Seleccione el conector del adaptador correcto para la toma de alimentación en el kit del adaptador.
2. Conecte el adaptador de corriente universal al medidor (Figura 2).
3. Conecte el adaptador de corriente universal a un receptáculo de CA (Figura 3).
4. Encienda el medidor.

**Figura 2 Panel conector**



1 Conector del agitador magnético 1, Canal 1	7 Teclado de PC, conector mini DIN
2 Conector de electrodo de referencia (electrodos separados), Canal 1	8 Conector de sonda de temperatura, Canal 2
3 Conector de electrodo de referencia (electrodos separados), Canal 2	9 Conector de electrodo de pH combinado (o indicador), Canal 2
4 Conector de sonda de temperatura separado, Canal 2	10 Conector de electrodo de pH combinado (o indicador), Canal 1
5 RS-232 para conector de PC o impresora	11 Conector de agitador magnético 2, Canal 2
6 Fuente de alimentación	

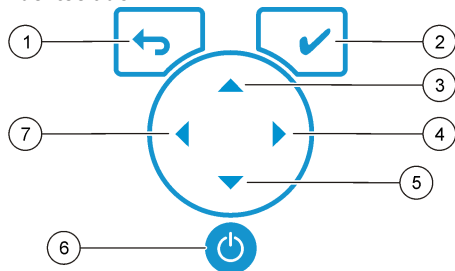
**Figura 3 Conexión de la alimentación de CA**



# Interfaz del usuario y navegación

## Interfaz del usuario

### Descripción del teclado

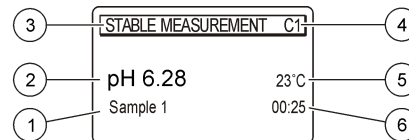


1 Tecla de retroceso: cancela o sale de la pantalla de menú actual y vuelve a la pantalla de menú anterior.	5 Tecla abajo: se desplaza a otras opciones, cambia un valor.
2 Tecla de medición: confirma la opción seleccionada.	6 ON/OFF: enciende o apaga el medidor.
3 Tecla arriba: se desplaza a otras opciones, cambia un valor.	7 Tecla izquierda: cambia entre el canal 1 y el canal 2, introduce números y letras.
4 Tecla derecha: cambia entre el canal 1 y el canal 2, introduce números y letras.	

### Descripción de la pantalla

La pantalla del medidor muestra la concentración, unidades, temperatura, el estado de calibración, ID del operador, ID de la muestra, la fecha y la hora.

Figura 4 Pantalla única



1 ID de la muestra	4 Temperatura de la muestra (°C o °F)
2 Unidad de medición y valor (pH, ORP (mV) o ISE)	5 Temporizador de medición visual
3 Modo de medición o fecha y hora	

### Navegación

Utilice **↩** para volver al menú anterior. Utilice la tecla de medición **✓** para tomar una medición de la muestra o para confirmar las opciones. Utilice las teclas de flecha **▲▼** para desplazarse a otras opciones o para cambiar un valor. Para cambiar los parámetros, utilice las teclas de flecha **◀▶**. Consulte cada tarea para obtener instrucciones específicas.

### Puesta en marcha

#### Encienda y apague el medidor

**AVISO**

Asegúrese de que la sonda está conectada al medidor antes de encenderlo.

Pulse **⏻** para encender o apagar el medidor. Si el medidor no se enciende, asegúrese de que la fuente de alimentación de CA está debidamente conectada a una toma eléctrica.

## Cambio del idioma

El idioma de visualización se selecciona cuando se enciende el medidor por primera vez.

1. Utilice ▲ o ▼ para seleccionar un idioma de una lista.
2. Confirme con ✓. La pantalla de medición muestra DATA OUTPUT (Salida de datos).
3. Seleccione Deactivated (Desactivado) si no se conecta ninguna impresora ni PC, y confirme. Consulte [Seleccione la salida de datos](#) en la página 83 para obtener más información sobre la salida de datos.

## Funcionamiento estándar

### Calibración

#### ▲ ADVERTENCIA

Peligro por exposición química. Respete los procedimientos de seguridad del laboratorio y utilice el equipo de protección personal adecuado para las sustancias químicas que vaya a manipular. Consulte los protocolos de seguridad en las hojas de datos actuales de seguridad de los materiales (MSDS).

### Configuración de calibración

La configuración de calibración contiene el tipo y la frecuencia de calibración y las opciones de pantalla.

1. En el menú principal, utilice ▲ o ▼ para seleccionar CALIBRATION (Calibración). Confirme.
2. Utilice ▲ para acceder al menú de calibración.
3. Utilice ▲ o ▼ para seleccionar las siguientes opciones:

Opción	Descripción
<b>Stability c.</b> <b>(Estabilidad C.):</b>	Criterio por estabilidad - Seleccione Fast (Rápido), Standard (Estándar) o Strict (Estricto).

Opción	Descripción
<b>Calibration type (Tipo de calibración)</b>	Calibration type (Tipo de calibración): seleccione Technical buffers (Búferes técnicos), DIN19266 Buffers (Búferes DIN19266), User Buffers (Búferes de usuario), To a X value (A un valor X), data introduction (Introducción de datos) o Theoretical calibration (Calibración teórica). Consulte <a href="#">Calibration types</a> para obtener más información.
<b>Cal. frequency (Frecuencia de calibración)</b>	Recordatorio de calibración que puede establecerse entre 0 y 7 días (diariamente de forma predeterminada). La pantalla muestra el tiempo restante hasta la nueva calibración. Consulte <a href="#">Active el recordatorio de calibración</a> en la página 82 para obtener más información.
<b>Display mV (Mostrar mV)</b>	Seleccione YES (Sí) o NO para mostrar mV.
<b>Standard 220 mV (220 mV estándar)</b>	Standard 220 mV (220 mV estándar): Se calibra con una solución patrón de 220 mV
<b>To a X value (A un valor X)</b>	To a X value (A un valor X): Utilice una solución patrón específica. Ajuste el valor durante la calibración.
<b>Data introduction (Introducción de datos)</b>	Data introduction Compensation (Compensación de introducción de datos): Introduzca el valor de compensación.
<b>Factory adjust (Ajuste de fábrica)</b>	Factory adjust (Ajuste de fábrica): Introduzca el valor de compensación

### Tipos de calibración

Se pueden seleccionar distintos tipos de calibración.

1. En el menú principal, utilice ▲ o ▼ para seleccionar CALIBRATION (Calibración). Confirme.
2. Utilice ▲ para acceder al menú de calibración.

3. Utilice ▲ o ▼ para seleccionar el tipo de calibración.

Opción	Descripción
<b>Technical buffers (Búferes técnicos)</b>	pH 2,00, 4,01, 7,00, 9,21 y 10,01 a 25 °C (77 °F)
<b>DIN19266 Buffers (Búferes DIN19266)</b>	pH 1,679, 4,006, 6,865, 7,000, 9,180, 10,012 y 12,454
<b>User Buffers (Búferes de usuario)</b>	Se seleccionan cuando los búferes técnicos o DIN19266 no se utilizan. Consulte en <a href="#">Soluciones buffer técnicas (DIN 19267)</a> en la página 90 los valores de pH de series de soluciones buffer con variaciones de temperatura.
<b>Calibration to an X value (Calibración a un valor X)</b>	Para ajustar manualmente cualquier valor de escala del pH medido.
<b>Data introduction (Introducción de datos)</b>	Introducción constante de la sonda manual.
<b>Theoretical calibration (Calibración teórica)</b>	Los datos de la calibración de la sonda se sustituyen a 25 °C (77 °F).

### Procedimiento de calibración

Este procedimiento se utiliza generalmente con soluciones líquidas de calibración. Consulte los documentos suministrados con cada sonda para obtener información adicional.

**Nota:** La solución se debe mezclar durante la calibración. Para obtener más información sobre los ajustes de la mezcla, consulte [Cambie la configuración de la mezcla en la página 84](#).

1. Vierta las soluciones buffer o de calibración en los vasos de precipitados de calibración etiquetados.
2. En el menú principal, utilice ▲ o ▼ y ◀ y ▶ para seleccionar el parámetro CALIBRATION (Calibración). Confirme.
3. Si es necesario, seleccione el ID del operador (de 1 a 10) y confirme.
4. Enjuague la sonda con agua desionizada e introdúzcala en el primer vaso de precipitados de calibración. Asegúrese de que no hay burbujas de aire en la membrana.
5. Pulse ✓ para iniciar la calibración.

6. Pulse ✓ para medir la primera solución de calibración. Se muestra la siguiente solución de calibración.
7. Enjuague la sonda con agua desionizada e introdúzcala en el segundo vaso de precipitados de calibración. Asegúrese de que no hay burbujas de aire en la membrana.
8. Pulse ✓ para medir la segunda solución de calibración. Se mostrará la siguiente solución de calibración.
9. Enjuague la sonda con agua desionizada e introdúzcala en el tercer vaso de precipitados de calibración. Asegúrese de que no hay burbujas de aire en la membrana.
10. Pulse ✓ para medir la tercera solución de calibración. Cuando la calibración es correcta, en la pantalla se muestra brevemente Calibration OK (Calibración correcta) y, a continuación, se vuelve al menú principal.  
**Nota:** Cuando se conecta una impresora, el menú de impresión se abre y se puede imprimir el resultado.

### Visualizar los datos de calibración

Se pueden mostrar los datos de la calibración más reciente.

1. En el menú principal, utilice ▲ o ▼ para seleccionar DATA LOGGER (Registrador de datos). Confirme.
2. Seleccione Display data (Desplegar datos).
3. Seleccione Calibration data (Datos de calibración) y confirme con ✓. Se muestran los datos de la última calibración.
  - pH: se muestran los valores de pendiente y compensación alternando con la desviación (en %) y la temperatura de calibración.
  - ORP: se muestran el valor de mV medido y la temperatura de calibración.
  - Conductividad: se muestra la constante de cubeta y la temperatura de calibración para cada patrón.

## Active el recordatorio de calibración

El recordatorio de calibración se puede ajustar entre las 0 y las 23 horas, o de 1 a 7 días (1 día de forma predeterminada). La pantalla muestra el tiempo restante para la nueva calibración.

**Nota:** Cuando se selecciona el valor 0 días, el recordatorio de calibración se desactiva.

1. En el menú principal, utilice ▲ o ▼ para seleccionar CALIBRATION (Calibración). Confirme.
2. Utilice ▲ para acceder al menú de calibración.
3. Utilice ▲ o ▼ para seleccionar Cal. frequency (Frecuencia de calibración), y confirme.
4. Utilice ◀ y ▶ para avanzar al siguiente paso y utilice ▲ o ▼ para cambiar el valor. Confirme.  
Pulse ✓ para iniciar la calibración.

## Mediciones de muestra

Cada sonda tiene unos pasos y procedimientos específicos de preparación para llevar a cabo las mediciones de muestras.

1. En el menú principal, utilice ▲ o ▼ y ◀ y ▶ para seleccionar MEASURE (Medición). Confirme.
2. Utilice ▲ para cambiar la siguiente configuración. Confirme cada entrada.

Opción	Descripción
<b>Resolución</b>	Seleccione la resolución: 1, 0,1, 0,01 (predeterminado) o 0,001
<b>Medición</b>	Stability (Estabilidad): seleccione el criterio por estabilidad: Fast (Rápido) (variación < 0,02 pH en 6 s), Standard (Estándar) (variación < 0,01 pH en 6 s) o Strict (Estricto) (variación < 0,002 pH en 6 s). In continuous (En continuo): introduzca el intervalo de hora para el intervalo de adquisición continua (almacenamiento de datos o impresión de datos). By time (Por tiempo): introduzca el intervalo de tiempo para el almacenamiento de datos o la impresión de datos.

Opción	Descripción
<b>Display mV (Mostrar mV)</b>	Display mV (Mostrar mV): seleccione YES (Sí) o NO para mostrar el mV.
<b>Limits (Límites)</b>	Limits (Límites): seleccione YES (Sí) o NO. YES (Sí); Introduzca los límites superiores e inferiores. Aparece una advertencia acústica cuando la medición está fuera del límite. El resultado del informe muestra una A junto al valor medido cuando la medición se encuentra fuera del límite.
<b>Isopotential (Isopotencial)</b>	Isopotential (Isopotencial): cambie el valor de pH isopotencial en la introducción de datos. Seleccione Calculate (Calcular) para volver a calibrar la sonda.

3. Pulse ✓ para iniciar la medición.

**Nota:** Si la medición no se estabiliza transcurridos 120 segundos, el medidor pasa automáticamente al modo de medición continua.

## Funcionamiento avanzado

### Cambiar las unidades de medición

Las unidades de medición se pueden cambiar individualmente para cada canal.

1. En el menú principal, utilice ▲ o ▼ para seleccionar SYSTEM (Sistema). Confirme.
2. Utilice ▲ o ▼ para seleccionar Measurement units (Unidades de medición) y confirme.
3. Seleccione Channel 1 (Canal 1) o Channel 2 (Canal 2) y confirme.
4. Seleccione ORP (mv), pH o ISE y confirme.

### Usar un ID de la muestra

La etiqueta ID de la muestra se usa para asociar mediciones con ubicaciones de muestras en particular. Si se asocian, los datos guardados incluirán este ID.

1. En el menú principal, utilice ▲ o ▼ para seleccionar SYSTEM (Sistema). Confirme.

- Utilice ▲ o ▼ para seleccionar Sample ID (ID de la muestra) y confirme.
- Utilice ▲ o ▼ para seleccionar

Opción	Descripción
<b>Automatic (Automática)</b>	Un número consecutivo se asignará automáticamente a cada muestra.
<b>Manual</b>	Es necesario un teclado o un escáner de código de barras para introducir el nombre de ID de muestra antes de realizar la medición (15 caracteres como máximo).

## Seleccione la salida de datos

Los datos se pueden guardar o transferir a una impresora o a un PC.

- En el menú principal, utilice ▲ o ▼ para seleccionar SYSTEM (Sistema). Confirme.
- Utilice ▲ o ▼ para seleccionar Data Output (Salida de datos), y confirme.
- Utilice ▲ o ▼ para seleccionar

Opción	Descripción
<b>Deactivated (Desactivado)</b>	Seleccione Deactivated (Desactivado) si no se conecta ningún PC o impresora.
<b>For Printer (Para impresora)</b>	Seleccione la impresora de matriz de puntos o la impresora térmica.
<b>For Computer (Para ordenador)</b>	Seleccione Terminal, LabCom o LabCom Easy. El software LabCom controla varios módulos, medidores de pH y conductividad, pipetas automáticas, muestreadores, etc. en el ordenador. El software LabCom Easy obtiene datos de pH y conductividad de un PC.

## Cambio de la fecha y la hora

Se puede cambiar la fecha y la hora desde el menú Date / Time (Fecha/Hora).

- En el menú principal, utilice ▲ o ▼ para seleccionar SYSTEM (Sistema). Confirme.
- Utilice ▲ o ▼ para seleccionar Date / Time (Fecha/Hora) y confirme.
- Utilice ◀ y ▶ para avanzar al siguiente paso y utilice ▲ o ▼ para cambiar un valor. Confirme.  
La fecha y hora actuales se mostrarán en la pantalla.

## Ajustar del contraste de la pantalla

- En el menú principal, utilice ▲ o ▼ para seleccionar SYSTEM (Sistema). Confirme.
- Utilice ▲ o ▼ para seleccionar Display contrast (Contraste de la pantalla) y confirme.
- Utilice ◀ o ▶ para ajustar el contraste de la pantalla y confirme.

## Ajustar la temperatura

La medición de la temperatura se puede ajustar a 25 °C (77 °F) y/u 85 °C (185 °F) para aumentar la precisión.

- Coloque la sonda y el termómetro de referencia en un recipiente con agua a 25 °C aproximadamente, y espere hasta que la temperatura se establezca.
- Compare la temperatura leída por el medidor con la del termómetro de referencia. La diferencia es el valor de ajuste del medidor. Por ejemplo: termómetro de referencia: 24,5 °C. Medidor: 24,3 °C. Valor de ajuste: 0,2 °C.
- Introduzca el valor de ajuste para la lectura de 25 °C:
  - Desde el menú principal, utilice ▲ o ▼ para seleccionar SYSTEM (Sistema). Confirme.
  - Utilice ▲ o ▼ para seleccionar Readjust temp (Reajustar temperatura). y confirme.

- c. Seleccione Channel 1 (Canal 1) o Channel 2 (Canal 2) y confirme. La cubeta de conductividad mide la temperatura para el canal 1 y la sonda de pH mide la del canal 2. Si no se conecta la cubeta de conductividad, se debe introducir el valor de temperatura manualmente o la temperatura medida en el canal 2 se puede aplicar al medidor.
  - d. Utilice ▲ o ▼ para seleccionar la temperatura de 25 °C y confirme.
  - e. Utilice las teclas de flecha para introducir el valor de ajuste para 25 °C y confirme.
4. Coloque la sonda y un termómetro de referencia en un recipiente de agua a 85 °C aproximadamente y espere hasta que la temperatura se estabilice.
  5. Compare la temperatura del medidor con la del termómetro de referencia. La diferencia es el valor de ajuste para el medidor.
    - a. Utilice ▲ o ▼ para seleccionar 85 °C y confirme.
    - b. Utilice las teclas de flecha para introducir el valor de ajuste para 85 °C y confirme.
    - c. Seleccione Save changes (Guardar cambios) y confirme.

## Cambie la configuración de la mezcla

El agitador magnético se puede activar y la velocidad de la mezcla se puede cambiar en el menú Stirring (Mezcla).

1. En el menú principal, utilice ▲ o ▼ para seleccionar SYSTEM (Sistema). Confirme.
2. Utilice ▲ o ▼ para seleccionar Stirring (Mezcla), y confirme.
3. Para activar o desactivar el agitador, pulse ✓.
4. Cuando se activa el agitador, utilice ▲ o ▼ para cambiar la velocidad de la mezcla en %.

*Nota: Utilice ▲ o ▼ para cambiar la velocidad de la mezcla durante la calibración y durante una medición.*

## Encienda y apague el agitador

El agitador 1 funciona con el canal 1 y el 2 (Agitador 1). El segundo agitador se puede conectar al canal 2 (Agitador 2). Para la activación del agitador 2, consulte los siguientes pasos.

1. En el menú principal, utilice ▲ o ▼ para seleccionar SYSTEM (Sistema). Confirme con ✓.
2. Utilice ▲ o ▼ para seleccionar el Agitador 2 y confirme con ✓.
3. Utilice ▲ o ▼ para seleccionar YES (Sí) y encender el agitador 2.  
*Nota: Seleccione NO para apagar el agitador 2.*

## Cambiar las unidades de temperatura

Las unidades de temperatura se pueden cambiar a Celsius o Fahrenheit.

1. En el menú principal, utilice ▲ o ▼ para seleccionar SYSTEM (Sistema). Confirme.
2. Utilice ▲ o ▼ para seleccionar las unidades de temperatura, y confirme.
3. Utilice ▲ o ▼ para seleccionar entre Celsius o Fahrenheit, y confirme.

## Registrador de datos

### Desplegar datos

El registro Display data (Desplegar datos) contiene datos de medición, el informe de electrodos y los datos de calibración. Los datos almacenados se pueden enviar a una impresora o a un PC. Cuando se llena el registro de datos (400 puntos de datos), los puntos de datos más antiguos se borran cuando se agrega un nuevo punto de datos.

1. Utilice ◀ y ▶ para seleccionar Channel 1 (Canal 1) o Channel 2 (Canal 2), y confirme.
2. En el menú principal, utilice ▲ o ▼ para seleccionar SYSTEM (Sistema). Confirme.



- Utilice ▲ o ▼ para seleccionar DATA LOGGER (Registrador de datos), y confirme.
- Utilice ▲ o ▼ para seleccionar Display data (Desplegar datos), y confirme.
- Utilice ▲ o ▼ para seleccionar

Opción	Descripción
<b>Medición datos</b>	Measurement data (Datos de medición): almacena estos datos automáticamente cada vez que se mide una muestra.
<b>Electrode report (Informe de electrodos)</b>	Electrode report (Informe de electrodos): almacena automáticamente el historial de electrodos y las condiciones de medición
<b>Calibration data (Datos de calibración)</b>	Calibration data (Datos de calibración): almacena automáticamente la calibración actual

## Suprimir datos

Se pueden borrar todos los datos de medición o el registro del informe de electrodos para eliminar los datos que ya se han enviado a una impresora o PC.

- En el menú principal, utilice ▲ o ▼ para seleccionar SYSTEM (Sistema). Confirme.
- Utilice ▲ o ▼ para seleccionar DATA LOGGER (Registrador de datos), y confirme.
- Utilice ▲ o ▼ para seleccionar Erase (Borrar), y confirme.
- Utilice ▲ o ▼ para seleccionar Measurement data (Datos de medición) o Electrode report (Informe de electrodos), y confirme. Vuelva a confirmar para borrar los datos. Se borra el registro por completo.

## Enviar datos a una impresora o a un equipo

### AVISO

La salida de datos (impresora o PC) debe seleccionarse en primer lugar, de modo que el menú Print (Imprimir) esté disponible (consulte [Seleccione la salida de datos](#) en la página 83).

**Nota:** Consulte [Salida de informes](#) en la página 85 para seleccionar el tipo de salida del informe.

- En el menú principal, utilice ▲ o ▼ para seleccionar SYSTEM (Sistema). Confirme.
- Utilice ▲ o ▼ para seleccionar DATA LOGGER (Registrador de datos), y confirme.
- Utilice ▲ o ▼ para seleccionar Print (Imprimir), y confirme. Seleccione una de las siguientes opciones y confirme con ✓ para imprimir los datos: datos de medición, datos de electrodo, datos de calibración, informe de calibración o condición de instrumento.

## Salida de informes

### AVISO

La salida de datos (impresora o PC) debe seleccionarse en primer lugar, de modo que el menú Type of report (Tipo de informe) esté disponible (consulte [Seleccione la salida de datos](#) en la página 83).

Se pueden seleccionar distintos tipos de salida de informes cuando se conecta una impresora o un PC.

- En el menú principal, utilice ▲ o ▼ para seleccionar SYSTEM (Sistema). Confirme.
- Utilice ▲ o ▼ para seleccionar Type of report (Tipo de informe) y confirme.

3. Cuando una impresora o un PC y un terminal se conectan, utilice ▲ o ▼ para realizar la selección

Opción	Descripción
<b>Reduced (Reducido)</b>	Seleccione Several (Varios) o One sample (Una muestra) como formato de salida.
<b>Standard (Estándar)</b>	Seleccione Several (Varios) o One sample (Una muestra) como formato de salida. Seleccione Several (Varios) <b>Users (Usuarios)</b> : El nombre del usuario aparece en el informe impreso (17 caracteres). <b>Header (Cabecera)</b> : El nombre de la empresa se puede añadir como cabecera (40 caracteres) y aparece en el informe impreso. <b>Identify sensor (Identificar sensor)</b> : Se puede añadir el modelo y el número de serie del sensor y aparecer en el informe impreso.
<b>GLP (BPL)</b>	Seleccione Several (Varios) o One sample (Una muestra) como formato de salida. Seleccione Several (Varios) <b>Users (Usuarios)</b> : El nombre del usuario aparece en el informe impreso (17 caracteres). <b>Header (Cabecera)</b> : El nombre de la empresa se puede añadir como cabecera (40 caracteres) y aparece en el informe impreso. <b>Identify sensor (Identificar sensor)</b> : Se puede añadir el modelo y el número de serie del sensor y aparecer en el informe impreso.

4. Cuando se conecta un ordenador y se selecciona LabCom Easy (consulte [Seleccione la salida de datos](#) en la página 83 para obtener más información), utilice ▲ o ▼ para seleccionar

Opción	Descripción
<b>Users (Usuarios)</b>	El nombre de usuario aparece en el informe impreso (17 caracteres).
<b>Identify sensor (Identificar sensor)</b>	Se puede añadir el modelo y número de serie del modelo y aparecer en el informe impreso.

## Mantenimiento

### ▲ ADVERTENCIA

Peligros diversos. No desmonte el instrumento para su mantenimiento o reparación. Si es necesario limpiar o reparar los componentes internos, póngase en contacto con el fabricante.

### ▲ PRECAUCIÓN

Peligro de lesión personal. Las tareas descritas en esta sección del manual solo deben ser realizadas por personal cualificado.

## Limpieza del instrumento

### AVISO

Nunca utilice productos de limpieza como aguarrás, acetona o productos similares para limpiar el instrumento, incluidos la pantalla y los accesorios.

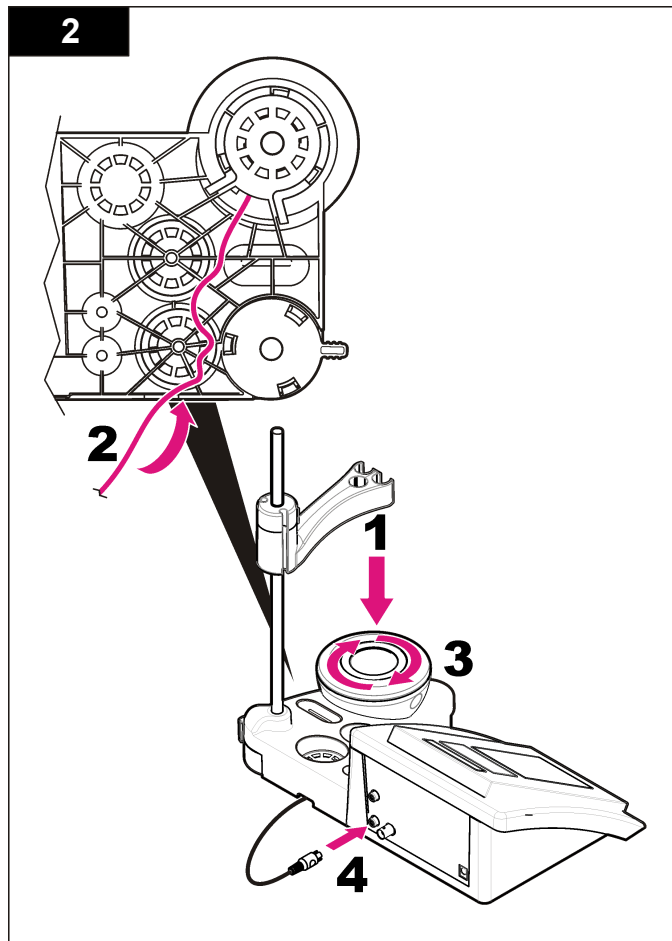
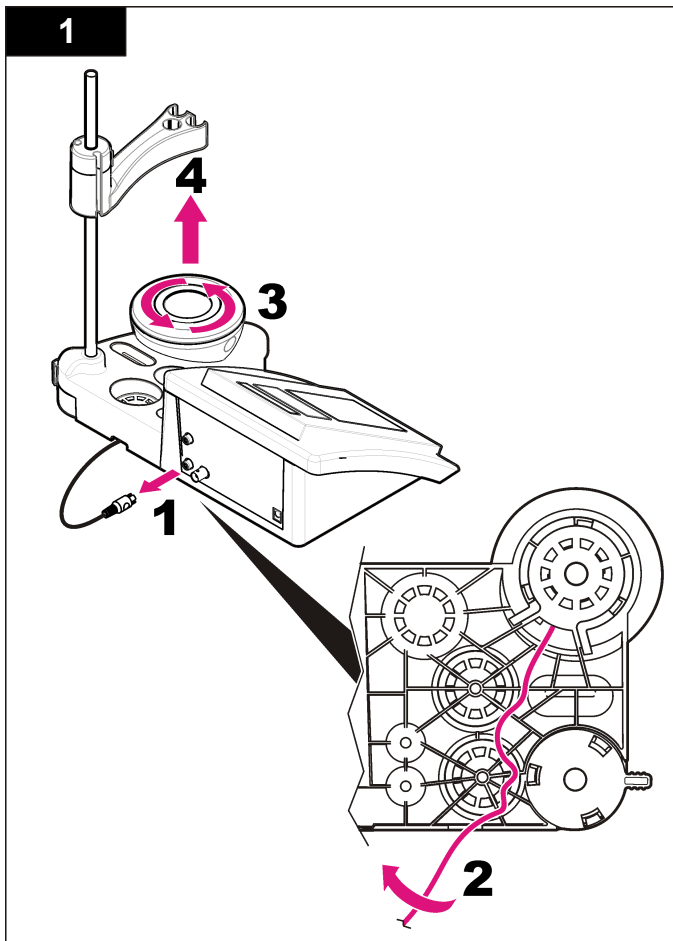
Limpie el exterior del instrumento con un paño húmedo y una solución jabonosa suave.

## Limpiar la sonda

Limpie la sonda según sea necesario. Consulte [Solución de problemas](#) en la página 88 para obtener más información sobre la limpieza. Consulte la documentación de la sonda para obtener información sobre el mantenimiento de la sonda.

## Sustituya el agitador magnético

Si el agitador magnético no se inicia, siga los pasos que se indican para sustituir el agitador magnético.



## Solución de problemas

Consulte la siguiente tabla para ver los mensajes o síntomas de los problemas comunes, las posibles causas y acciones correctivas.

**Tabla 1 Advertencias y errores de calibración**

Error/advertencia	Solución
Asymmetry > 58 mV (Asimetría > 58 mV)	Pendiente fuera de rango (valores aceptados: $\pm$ 58 mV). Volver a calibrar. Conecte una nueva sonda.
Buffer or electrode in poor conditions. (Búfer o electrodo en condiciones deficientes.)	Examinar la sonda: Limpiar la sonda (consulte <a href="#">Limpiar la sonda</a> en la página 86 para obtener más información); asegúrese de que no hay burbujas de aire en la membrana. Agite la sonda como un termómetro; conecte una sonda diferente para verificar si el problema es con la sonda o con el medidor.  Examine la solución buffer: Asegúrese de que el búfer utilizado coincide con el búfer especificado en la configuración; asegúrese de la especificación de temperatura en la configuración; utilice una nueva solución buffer.
BUFFER NOT RECOGNIZED (Búfer no reconocido)	Volver a calibrar. Examinar la sonda: Limpiar la sonda (consulte <a href="#">Limpiar la sonda</a> en la página 86 para obtener más información); asegúrese de que no hay burbujas de aire en la membrana. Agite la sonda como un termómetro; conecte una sonda diferente para verificar si el problema es con la sonda o con el medidor.
Sens. (a) < 70%	Examine la solución buffer: Asegúrese de que el búfer utilizado coincide con el búfer especificado en la configuración; asegúrese de la especificación de temperatura en la configuración; utilice una nueva solución buffer.

**Tabla 1 Advertencias y errores de calibración (continúa)**

Error/advertencia	Solución
UNSTABLE READING (Lectura inestable) Time $\gt$ 100 s (Tiempo $\gt$ 100 s)	Volver a calibrar. Examinar la sonda: Limpiar la sonda (consulte <a href="#">Limpiar la sonda</a> en la página 86 para obtener más información); asegúrese de que no hay burbujas de aire en la membrana. Agite la sonda como un termómetro; conecte una sonda diferente para verificar si el problema es con la sonda o con el medidor.  Asegúrese de que la membrana y el diafragma se han sumergido correctamente en la muestra.
Check temperature. (Compruebe la temperatura.) Check electrode (Compruebe el electrodo)	Asegúrese de que la especificación de temperatura en la configuración sea la correcta. Examinar la sonda: Limpiar la sonda (consulte <a href="#">Limpiar la sonda</a> en la página 86 para obtener más información); asegúrese de que no hay burbujas de aire en la membrana. Agite la sonda como un termómetro; conecte una sonda diferente para verificar si el problema es con la sonda o con el medidor.
Electrode in poor conditions. (Electrodo en condiciones deficientes.)	Examinar la sonda: Limpiar la sonda (consulte <a href="#">Limpiar la sonda</a> en la página 86 para obtener más información); asegúrese de que no hay burbujas de aire en la membrana. Agite la sonda como un termómetro; conecte una sonda diferente para verificar si el problema es con la sonda o con el medidor.
Check the electrode. (Compruebe el electrodo).	Examinar la sonda: Limpiar la sonda (consulte <a href="#">Limpiar la sonda</a> en la página 86 para obtener más información); asegúrese de que no hay burbujas de aire en la membrana. Agite la sonda como un termómetro; conecte una sonda diferente para verificar si el problema es con la sonda o con el medidor.
SAME BUFFERS (BÚFERES IGUALES)	Volver a calibrar. Examinar la sonda: Limpiar la sonda (consulte <a href="#">Limpiar la sonda</a> en la página 86 para obtener más información); asegúrese de que no hay burbujas de aire en la membrana. Agite la sonda como un termómetro; conecte una sonda diferente para verificar si el problema es con la sonda o con el medidor.  Examine la solución buffer: Utilice otra solución buffer.

**Tabla 2 Advertencias y errores de medición**

Error/advertencia	Solución
pH 12,78 19 °C	Volver a calibrar.
pH out of range (pH fuera de rango)	Examinar la sonda: Limpiar la sonda (consulte <a href="#">Limpiar la sonda</a> en la página 86 para obtener más información); asegúrese de que no hay burbujas de aire en la membrana. Agite la sonda como un termómetro; conecte una sonda diferente para verificar si el problema es con la sonda o con el medidor.
Temp out of range °C (Temperatura fuera de rango °C)	Examine el sensor de temperatura. Conecte una sonda diferente para verificar si el problema es con la sonda o con el medidor.
Time > 60 s (Tiempo > 60 s)	Asegúrese de que la membrana y el diafragma se han sumergido correctamente en la muestra.
Time > 150 s (Tiempo > 150 s)	Examine la temperatura. Examinar la sonda: Limpiar la sonda (consulte <a href="#">Limpiar la sonda</a> en la página 86 para obtener más información); asegúrese de que no hay burbujas de aire en la membrana. Agite la sonda como un termómetro; Conecte una sonda diferente para verificar si el problema es con la sonda o con el medidor.
Time > 300 s (Tiempo > 300 s)	
10,389 mg/l >>>>> 00012 00:13	Medición ISE: El valor medido es superior al estándar más alto utilizado en la calibración. Vuelva a realizar la medición.
0,886 mg/l <<<<<< 00018 00:11	Medición ISE: El valor medido es inferior al estándar más bajo utilizado en la calibración. Vuelva a realizar la medición.

## Piezas de repuesto y accesorios

**Nota:** Los números de producto y artículo pueden variar para algunas regiones de venta. Comuníquese con el distribuidor correspondiente o visite el sitio Web de la compañía para obtener la información de contacto.

## Piezas de repuesto

Descripción	Referencia
Medidor de pH PH3 Lab sensION+ con accesorios, sin sonda	LPV2000.98.0002
medidor de pH PH31 Lab sensION+, GLP, con accesorios, sin sonda	LPV2100.98.0002
Medidor MM340 Lab pH & Ion sensION+, GLP, 2 canales, con accesorios, sin sonda	LPV2200.98.0002
Medidor de conductividad EC7 Lab sensION+, con accesorios, sin sonda	LPV3010.98.0002
Medidor de conductividad EC71 Lab sensION+, GLP, con accesorios, sin sonda	LPV3110.98.0002
Medidor de laboratorio de 2 canales MM374 sensION+, GLP, accesorios, sin sondas	LPV4110.98.0002

## Consumibles

Descripción	Referencia
Solución buffer de pH 4,01, 125 ml	LZW9460.99
Solución buffer de pH 7,00, 125 ml	LZW9461.98
Solución buffer de pH 10,01, 125 ml	LZW9470.99
Solución buffer de pH 4,01, 250 ml	LZW9463.99
Solución buffer de pH 7,00, 250 ml	LZW9464.98
Solución buffer de pH 10,01, 250 ml	LZW9471.99
Solución buffer de pH 4,01, 1.000 ml	LZW9466.99
Solución buffer de pH 7,00, 1.000 ml	LZW9467.98
Solución buffer de pH 10,01, 1.000 ml	LZW9472.99
Solución electrolítica (KCl 3M), 125 ml	LZW9510.99
Solución electrolítica (KCl 3M), 250 ml	LZW9500.99

## Piezas de repuesto y accesorios (continúa)

Descripción	Referencia
Solución electrolítica (KCl 3M), 50 ml	LZW9509.99
Solución electrolítica 0,1 M, 125 ml	LZW9901.99
Solución de enzima	2964349
Solución limpiadora de pepsina	2964349
Solución limpiadora de electrodos	2965249
Solución de HCl 0,1 N	1481253

## Accesorios

Descripción	Referencia
Impresora térmica, RS232, para medidor de mesa sensION+	LZW8201.99
Papel térmico para impresora LZW8201, paquete con 5 rollos	LZW9117.99
Impresora de impacto de punto, RS232, para instrumentos sensION+	LZW8200.99
Papel patrón para impresora LZW8200, paquete con 10 rollos	LZW9000.99
Cinta para impresora LZW8200, 3 unidades	LZW9001.99
SW LabCom Easy PC, para GLP sensION+, CD, cable, adaptador USB	LZW8997.99
SW LabCom PC, para GLP sensION+, CD, cable, adaptador USB	LZW8999.99
Cable RS232, para instrumentos de medidor de mesa sensION+	LZW9135.99
Cable RS232 para medidor de mesa sensION+, con adaptador USB	LZW9135USB.99

## Piezas de repuesto y accesorios (continúa)

Descripción	Referencia
Agitador magnético con portasensor, para medidor de mesa MM sensION+	LZW9319.99
Vasos de precipitados impresos 3x50 ml para calibración de pH de medidor de mesa	LZW9110.98
Tres portasensores, para instrumentos de medidor de mesa sensION+	LZW9321.99
Soporte y abrazadera para tres sensores	LZW9155.99
Cámara de cristal Pyrex, mediciones de flujo continuo	LZW9118.99
Protector de PP, almacenamiento de electrodos	LZW9161.99

## Soluciones patrón

### Soluciones buffer técnicas (DIN 19267)

Consulte en la [Tabla 3](#) los valores de pH y ORP (mV) de series de soluciones buffer con variaciones de temperatura.

**Tabla 3 Valores de temperatura, pH y ORP (mV)**

Temperatura		pH					mV
°C	°F						
0	32	2,01	4,01	7,12	9,52	10,30	—
10	50	2,01	4,00	7,06	9,38	10,17	245
20	68	2,00	4,00	7,02	9,26	10,06	228
<b>25</b>	<b>77</b>	<b>2,00</b>	<b>4,01</b>	<b>7,00</b>	<b>9,21</b>	<b>10,01</b>	<b>220</b>
30	86	2,00	4,01	6,99	9,16	9,96	212
40	104	2,00	4,03	6,97	9,06	9,88	195
50	122	2,00	4,06	6,97	8,99	9,82	178
60	140	2,00	4,10	6,98	8,93	9,76	160

**Tabla 3 Valores de temperatura, pH y ORP (mV) (continúa)**

Temperatura		pH					mV
°C	°F						
70	158	2,01	4,16	7,00	8,88	—	—
80	176	2,01	4,22	7,04	8,83	—	—
90	194	2,01	4,30	7,09	8,79	—	—

**Tabla 4 Valores de temperatura, pH y ORP (mV) (continúa)**

Temperatura		pH					mV	
°C	°F							
80	176	1,766	4,164	6,859	7,004	8,885	—	—
90	194	1,792	4,205	6,877	7,034	8,850	—	—

**Soluciones buffer (DIN 19266)**

Consulte en la [Tabla 4](#) los valores de pH y ORP (mV) de series de soluciones buffer con variaciones de temperatura.

**Tabla 4 Valores de temperatura, pH y ORP (mV)**

Temperatura		pH					mV	
°C	°F							
5	32	1,668	4,004	6,951	7,087	9,395	10,245	13,207
10	50	1,670	4,000	6,923	7,059	9,332	10,179	13,003
20	68	1,675	4,001	6,881	7,016	9,225	10,062	12,627
<b>25</b>	<b>77</b>	<b>1,679</b>	<b>4,006</b>	<b>6,865</b>	<b>7,000</b>	<b>9,180</b>	<b>10,012</b>	<b>12,454</b>
30	86	1,683	4,012	6,853	6,987	9,139	9,966	12,289
40	104	1,694	4,031	6,838	6,70	9,68	9,889	11,84
50	122	1,707	4,057	6,833	6,964	9,011	9,828	11,705
60	140	1,723	4,085	6,836	6,968	8,962	—	11,449
70	158	1,743	4,126	6,845	6,982	8,921	—	—

## Especificações

As especificações podem ser alteradas sem aviso prévio.

Especificação	Detalhes
Dimensões	35 x 20 x 11 cm (13,78 x 7,87 x 4,33 pol.)
Peso	1100 g (2,43 lb)
Caixa do medidor	IP42
Requisitos de alimentação (externa)	100–240 V, 0,4 A, 47-63 Hz
Classe de protecção do medidor	Classe II
Temperatura de armazenamento	–15 a +65 °C (5 a +149 °F)
Temperatura de funcionamento	0 a 40 °C (41 a 104 °F)
Humidade de funcionamento	< 80% (sem condensação)
Resolução	pH: 0,1/0,01/0,001, ORP: 0,1/1 mV, ISE: programável, temperatura: 0,1 °C (0,18 °F)
Erro de medição (± 1 dígito)	pH: 0,002/0,2/0,2, ORP: 0,36 mV, temperatura: °C °F)
Reprodutibilidade: (± 1 dígito)	pH: ± 0,001, ORP: ± 0,1 mV, temperatura: ± 0,1 °C (± 0,18 °F)
Armazenamento de dados	330 resultados e as últimas 9 calibrações
Ligações	2 Sonda combinada ou com indicador: conector BNC (Imp. >10 <sup>12</sup> Ω); 2 eléctrodos de referência: conector banana; A.T.C. tipo Pt 1000: conector banana ou telefónico, agitador magnético: conector RCA; 2 agitadores magnéticos: conector RCA
Correcção de temperatura	Manual, sonda de temperatura Pt 1000 (A.T.C.), pH isopotencial programável, valor padrão de 7,00
Bloqueio do ecrã de medição	Medição contínua, por estabilidade

Especificação	Detalhes
Ecrã	Cristais líquidos, retroiluminação, 128 x 64 pontos
Teclado	PET com tratamento de protecção
Certificação	CE

## Informação geral

As edições revistas encontram-se disponíveis no website do fabricante.

## Informações de segurança

### ATENÇÃO

O fabricante não é responsável por quaisquer danos resultantes da aplicação incorrecta ou utilização indevida deste produto, incluindo, mas não limitado a, danos directos, incidentais e consequenciais, não se responsabilizando por tais danos ao abrigo da lei aplicável. O utilizador é o único responsável pela identificação de riscos de aplicação críticos e pela instalação de mecanismos adequados para a protecção dos processos na eventualidade de uma avaria do equipamento.

Leia este manual até ao fim antes de desembalar, programar ou utilizar o aparelho. Dê atenção a todos os avisos relativos a perigos e precauções. A não leitura destas instruções pode resultar em lesões graves para o utilizador ou em danos para o equipamento.

Certifique-se de que a protecção oferecida por este equipamento não é comprometida. Não o utilize ou instale senão da forma especificada neste manual.

## Uso da informação de perigo

### ▲ PERIGO

Indica uma situação de risco potencial ou eminente que, se não for evitada, resultará em morte ou lesão grave.

### ▲ ADVERTÊNCIA

Indica uma situação de perigo potencial ou eminente que, caso não seja evitada, poderá resultar na morte ou em ferimentos graves.



## ⚠ AVISO

Indica uma situação de risco potencial, que pode resultar em lesão ligeira a moderada.

## ATENÇÃO

Indica uma situação que, caso não seja evitada, poderá causar danos no instrumento. Informação que requer ênfase especial.

## Avisos de precaução

Leia todas as etiquetas presentes no aparelho. A sua não observação pode resultar em lesões para as pessoas ou em danos para o aparelho. Qualquer símbolo afixado no aparelho poderá ser encontrado no manual com a respectiva indicação de perigo ou precaução.



Quando encontrar este símbolo no instrumento, isto significa que deverá consultar o manual de instruções para obter informações sobre o funcionamento do instrumento e/ou de segurança.



Desde 12 de Agosto de 2005, os equipamentos eléctricos marcados com este símbolo não poderão ser depositados nos sistemas europeus públicos de recolha de resíduos. Em conformidade com a legislação europeia e nacional (Directiva europeia 2002/98/CE), os utilizadores europeus de equipamentos eléctricos deverão devolver os equipamentos usados ou em fim de vida ao Fabricante, que procederá à sua eliminação sem quaisquer custos para o utilizador.  
**Nota:** Para devolver o equipamento para reciclagem, entre em contacto com o seu fabricante ou fornecedor para obter instruções sobre como devolver equipamentos no fim da vida útil, acessórios eléctricos e todos os itens auxiliares para uma eliminação adequada.

## Vista geral do produto

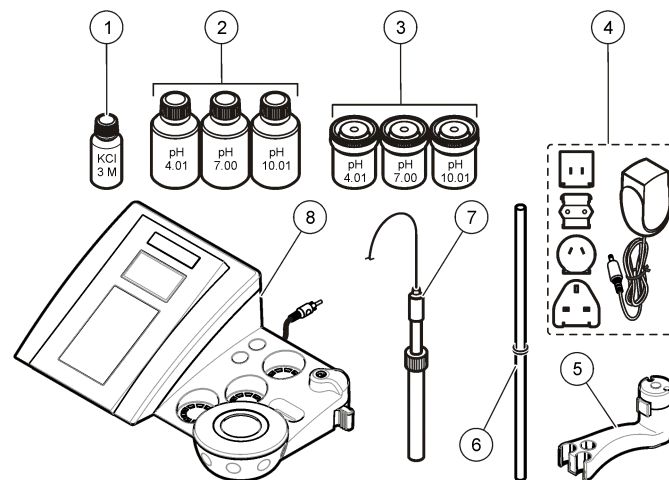
Os medidores <sup>TM</sup>+ são utilizados com sondas para medir vários parâmetros dentro de água.

O medidor sensION <sup>TM</sup>+ MM340 tem dois canais de medição para medir o pH, POR (mV) ou ISE (concentração) com uma sonda selectiva. Os dados de medição podem ser armazenados e transferidos para uma impressora ou PC.

## Componentes do produto

Consulte [Figura 1](#) a fim de se certificar de que todos os componentes foram recebidos. Se algum destes itens estiver em falta ou apresentar danos, contacte imediatamente o fabricante ou um representante de vendas.

Figura 1 Componentes do medidor

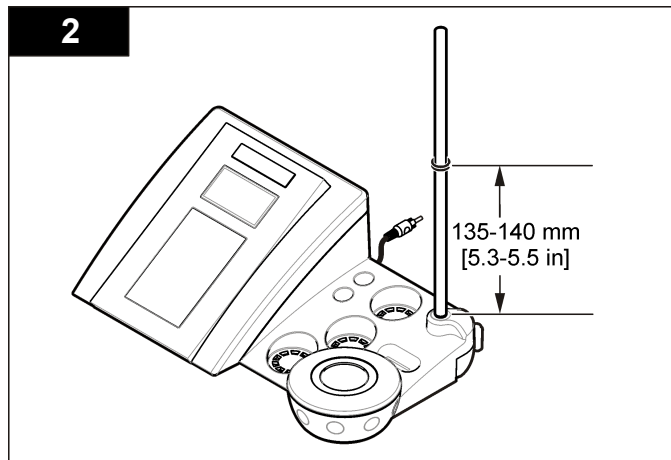
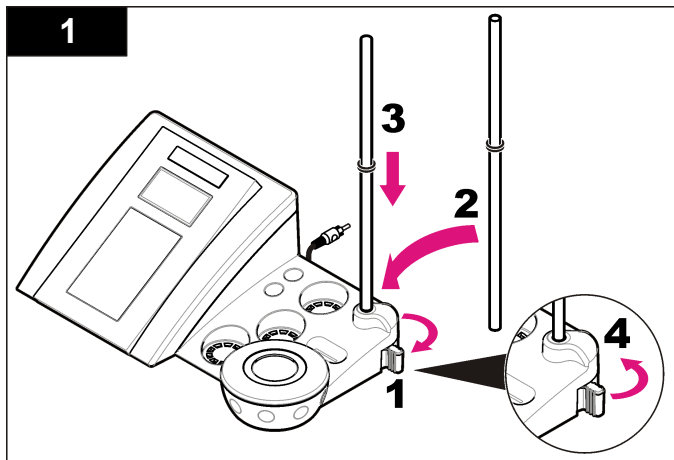


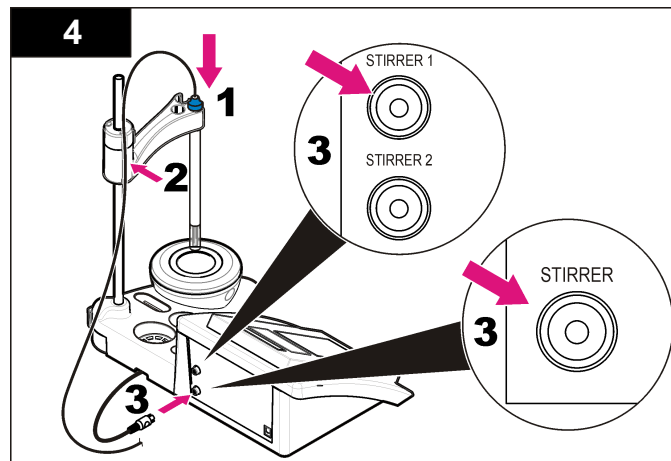
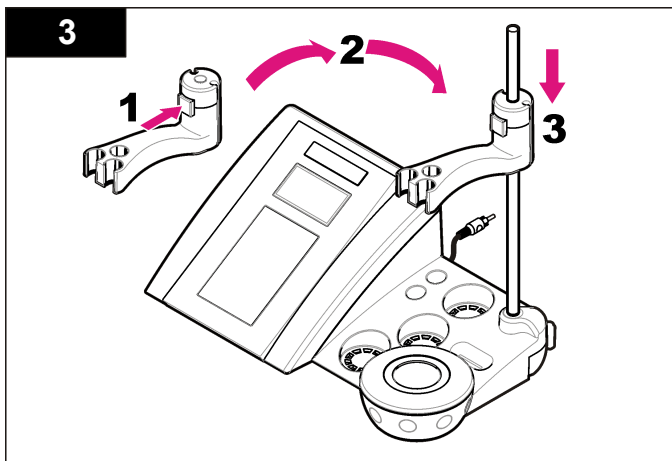
1	Electrólito da sonda	5	Suporte da sonda
2	Soluções de tampão (pH 4.01, pH 7.00 e pH 10.01)	6	Haste com junta circular
3	Provetas de calibração (com barra magnética no interior)	7	Sonda (fornecida apenas com os kits)
4	Abastecimento de potência	8	Medidor

## Instalação


### Montar o suporte da sonda

Siga os passos numerados para montar o suporte da sonda e ligar o agitador magnético.





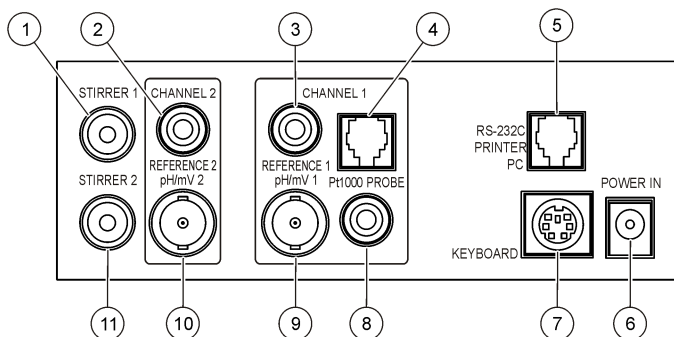
## Ligação a tensão de CA

<b>⚠ PERIGO</b>	
	<p>Perigo de electrocussão. Se este equipamento for utilizado ao ar livre ou em locais com humidade, deve ser utilizado um Disjuntor de fuga à terra (GFCI/GFI) para ligar o equipamento à respectiva fonte de alimentação.</p>

O medidor pode ser ligado através de tensão de CA com o transformador universal.

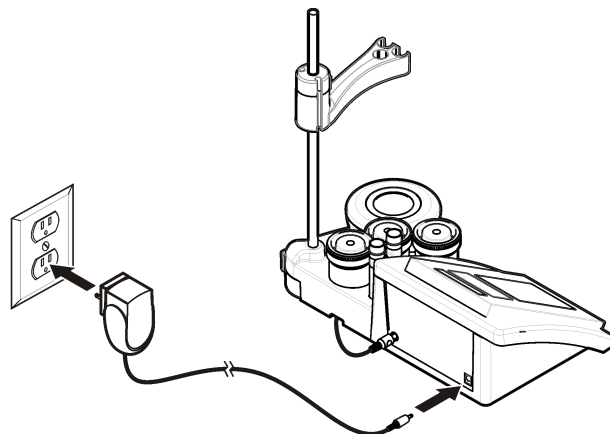
1. Seleccione a ficha do transformador da saída de alimentação da tomada de corrente do kit adaptador.
2. Ligue o transformador universal ao medidor ([Figura 2](#)).
3. Ligue o transformador universal a um receptáculo CA ([Figura 3](#)).
4. Ligue o medidor.

**Figura 2 Painel do conector**



1 Conector do agitador magnético 1, canal 1	7 Teclado do PC, miniconector DIN
2 Conector do eléctrodo de referência (eléctrodos diferentes), canal 1	8 Conector da sonda de temperatura, canal 2
3 Conector do eléctrodo de referência (eléctrodos diferentes), canal 2	9 Conector (ou indicador) do eléctrodo pH combinado, canal 2
4 Conector da sonda de temperatura diferente, canal 2	10 Conector (ou indicador) do eléctrodo pH combinado, canal 1
5 RS-232 para impressora ou conector PC	11 Conector do agitador magnético 2, canal 2
6 Abastecimento de potência	

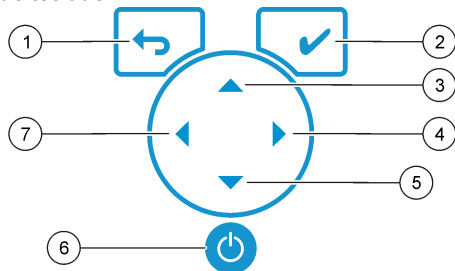
**Figura 3 Ligação a potência CA**



# Interface do utilizador e navegação

## Interface do utilizador

### Descrição do teclado

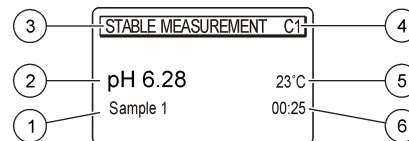


1 Tecla VOLTAR: permite cancelar ou sair do ecrão do menu actual para o ecrã de menu anterior	5 Tecla PARA BAIXO: permite aceder a outras opções, alterar um valor
2 Tecla MEDIÇÃO: permite confirmar a opção seleccionada	6 LIGAR/DESLIGAR: permite ligar ou desligar o medidor
3 Tecla PARA CIMA: permite aceder a outras opções, alterar um valor	7 Tecla PARA A DIREITA: permite alternar entre Canal 1 e Canal 2 e introduzir números e letras
4 Tecla PARA A DIREITA: permite alternar entre Canal 1 e Canal 2 e introduzir números e letras	

### Descrição do ecrã

O ecrã do medidor mostra a concentração, unidades, temperatura, estado de calibração, ID do operador, ID de amostra, data e hora.

Figura 4 Exibição de ecrã único



1 ID da amostra	4 Temperatura de amostra (°C ou °F)
2 Unidade e valor de medida (pH, ORP (mV) ou ISE)	5 Temporizador de medição visual
3 Modo ou hora e data de medição	

## Navegação

Utilize ↶ para voltar para o menu anterior. Utilize a tecla de medição ✓ para obter uma medição de amostra ou confirmar as opções. Utilize as teclas de setas ▲ ▼ para aceder a outras opções ou alterar um valor. Para alterar os parâmetros, utilize as teclas de setas ◀ ▶. Consulte cada tarefa para obter instruções específicas.

## Arranque

### Ligar e desligar o medidor

#### ATENÇÃO


Antes de ligar o medidor, certifique-se de que está ligado à sonda.

Prima ⏻ para ligar ou desligar o medidor. Se o medidor não se ligar, certifique-se de que a fonte de alimentação CA está devidamente ligada a uma tomada.

### Alteração do idioma

O idioma do ecrã pode ser configurado quando o aparelho é ligado pela primeira vez.

1. Utilize ▲ ou ▼ para seleccionar um idioma de uma lista.

- Para confirmar, prima . O ecrã de medição apresenta SAÍDA DE DADOS.
- Selecione Desactivado se não estiver ligada qualquer impressora ou PC e confirme. Consulte [Seleccionar a saída de dados](#) na página 100 para obter mais informações acerca de Saída de dados.

## Operação padrão

### Calibração

#### ▲ ADVERTÊNCIA

Perigo de exposição a produtos químicos. Siga os procedimentos de segurança do laboratório e utilize todo o equipamento de protecção pessoal adequado aos produtos químicos manuseados. Consulte as ficha de dados sobre segurança de materiais (MSDS) para protocolos de segurança.

### Definições de calibração

As definições de calibração incluem as opções Tipo de calibração, Frequência de calibração e Ecrã.

- No menu principal, utilize ▲ ou ▼ para seleccionar CALIBRAÇÃO. Confirme.
- Utilize ▲ para aceder ao menu Calibração.
- Utilize ▲ ou ▼ para seleccionar as seguintes opções:

Opção	Descrição
<b>Estabilidade C.:</b>	Critério por estabilidade—selecione Rápido, Normal ou Restrito.
<b>Tipo de calibração</b>	Tipo de calibração—selecione Tampões técnicos, Tampões DIN19266, Tampões de utilizador, Para um valor X, Introdução de dados ou Calibração teórica. Consulte <a href="#">Calibration types</a> para obter mais informações.

Opção	Descrição
<b>Frequência de cal.</b>	Lembrete de calibração—pode ser definido entre 0 e 7 dias (a predefinição é "diário"). O ecrã mostra o tempo restante para a nova calibração. Consulte <a href="#">Definir o lembrete de calibração</a> na página 99 para obter mais informações.
<b>Mostrar mV</b>	Mostrar mV—selecione SIM ou NÃO para mostrar mV.
<b>220 mV padrão</b>	220 mV padrão—calibrar com uma solução padrão de 220 mV
<b>Para um valor X</b>	Para um valor X—utilize uma solução padrão específica. Ajuste o valor durante a calibração.
<b>Introdução de dados</b>	Compensação de introdução de dados—introduza o valor de compensação
<b>Ajuste de fábrica</b>	Ajuste de fábrica—introduza o valor de compensação

### Tipos de calibração

Podem ser seleccionados vários tipos de calibração.

- No menu principal, utilize ▲ ou ▼ para seleccionar CALIBRAÇÃO. Confirme.
- Utilize ▲ para aceder ao menu Calibração.
- Utilize ▲ ou ▼ para seleccionar o tipo Calibração.

Opção	Descrição
<b>Tampões técnicos</b>	pH 2.00, 4.01, 7.00, 9.21 e 10.01 a 25 °C (77 °F)
<b>Tampões DIN19266</b>	pH 1.679, 4.006, 6.865, 7.000, 9.180, 10.012 e 12.454
<b>Tampões de utilizador</b>	Seleccionado quando os tampões técnicos ou DIN19266 não são utilizados. Consulte <a href="#">Soluções de tampões técnicos (DIN 19267)</a> na página 108 para valores de pH de conjuntos de tampões específicos a diversas temperaturas.

Opção	Descrição
<b>Calibração para um valor X</b>	Para ajustar manualmente qualquer valor de escala do pH medido.
<b>Introdução de dados</b>	Introdução de constantes da sonda manual.
<b>Calibração teórica</b>	Os dados de calibração da sonda são substituídos a 25 °C (77 °F).

## Procedimento de calibração

Este procedimento serve para utilização geral com soluções de calibração líquida. Para obter informações adicionais, consulte os documentos fornecidos com cada sonda.

**Nota:** As soluções devem ser agitadas durante a calibração. Para obter mais informações acerca das definições de agitação, consulte [Alterar as definições de agitação](#) na página 102.

1. Deite os tampões ou as soluções de calibração dentro dos tubos de calibração rotulados.
2. No menu principal, utilize ▲ ou ▼ e ◀ e ▶ para seleccionar o parâmetro CALIBRAÇÃO. Confirme.
3. Se necessário, seleccione o ID de operador (1 a 10) e confirme.
4. Enxagúe a sonda com água desionizada e coloque a sonda no primeiro tubo de calibração. Certifique-se de que não existem bolhas de ar presas na membrana.
5. Prima ✓ para iniciar a calibração.
6. Prima ✓ para medir a primeira solução de calibração. É apresentada a próxima solução de calibração.
7. Enxagúe a sonda com água desionizada e insira a sonda no segundo tubo de calibração. Certifique-se de que não existem bolhas de ar presas na membrana.
8. Prima ✓ para medir a segunda solução de calibração. É apresentada a próxima solução de calibração.
9. Enxagúe a sonda com água desionizada e insira a sonda no terceiro tubo de calibração. Certifique-se de que não existem bolhas de ar presas na membrana.
10. Prima ✓ para medir a terceira solução de calibração.

Quando a calibração for adequada, o ecrã mostra a indicação Calibração OK durante uns instantes e, em seguida, passa para o menu principal.

**Nota:** Quando a impressora é ligada, o menu Impressão é aberto e o resultado é impresso.

## Ver os dados de calibração

Podem ser apresentados os dados da calibração mais recente.

1. No menu principal, utilize ▲ ou ▼ para seleccionar REGISTADOR DE DADOS. Confirme.
2. Seleccione Apresentar dados.
3. Seleccione Dados de calibração e confirme com ✓. Os dados da última calibração são apresentados.
  - pH—os valores de declive e desvio são mostrados, alternando com o desvio (em %) e a temperatura de calibração.
  - POR—o valor de mV medido e a temperatura de calibração são apresentados.
  - Condutividade—são apresentadas a constante de célula e a temperatura de calibração de cada padrão.

## Definir o lembrete de calibração

O lembrete de calibração pode ser definido entre 0 e 23 horas ou 1 a 7 dias (a predefinição é de 1 dia). O ecrã mostra o tempo restante para a nova calibração.

**Nota:** Se a opção "0 dias" estiver seleccionado, o lembrete de calibração é desactivado.

1. No menu principal, utilize ▲ ou ▼ para seleccionar CALIBRAÇÃO. Confirme.
2. Utilize ▲ para aceder ao menu Calibração.
3. Utilize ▲ ou ▼ para seleccionar Frequência cal. e confirme.
4. Utilize ◀ e ▶ para avançar para o passo seguinte e utilize ▲ ou ▼ para alterar um valor. Confirme. Prima ✓ para iniciar a calibração.

## Medição de amostras

Cada sonda tem passos de preparação e procedimentos específicos para obter medições de amostra.

1. No menu principal, utilize ▲ ou ▼ e ◀ e ▶ para seleccionar MEDIÇÃO. Confirme.
2. Utilize ▲ para alterar as seguintes definições. Confirme todas as entradas.

Opção	Descrição
<b>Resolução</b>	Selecione a resolução: 1, 0.1, 0.01 (predefinição) ou 0.001
<b>Medir</b>	Estabilidade—seleccionar por critério de estabilidade: Rápido (variação < 0.02 pH em 6 s), Padrão (variação < 0.01 pH em 6 s) ou Restrito (variação < 0.002 pH em 6 s). Em contínuo—introduza o intervalo de tempo para o intervalo Aquis. em contínuo (armazenamento de dados ou dados de impressão). Por hora—introduza o intervalo de tempo para armazenamento de dados ou dados de impressão.
<b>Mostrar mV</b>	Mostrar mV—selecione SIM ou NÃO para mostrar mV.
<b>Limites</b>	Limites—selecione SIM ou NÃO. SIM: introduza os limites superior e inferior. É apresentado um aviso acústico quando a medição está fora do limite. A saída de relatório apresenta a letra A junto do valor medido quando a medição estava fora de limite.
<b>Isopotencial</b>	Isopotencial—altere o valor de pH isopotencial em Introdução de dados. Selecione Calcular para calibrar novamente a sonda.

3. Prima ✓ para iniciar a medição.

**Nota:** Se a medição não estabilizar passados 120 segundos, o medidor muda automaticamente para o modo de medição contínua.

## Operação avançada

### Alterar as unidades de medida

As unidades de medida podem ser alteradas individualmente para cada canal.

1. No menu principal, utilize ▲ ou ▼ para seleccionar SISTEMA. Confirme.
2. Utilize ▲ ou ▼ para seleccionar Unidades de medição e confirme.
3. Selecione Canal 1 ou Canal 2 e confirme.
4. Selecione ORP (mV), pH ou ISE e confirme.

### Utilizar uma identificação da amostra

A identificação da amostra é usada para associar leituras a uma dada localização (ID) de amostra. Se atribuída, os dados armazenados incluirão essa identificação.

1. No menu principal, utilize ▲ ou ▼ para seleccionar SISTEMA. Confirme.
2. Utilize ▲ ou ▼ para seleccionar ID da amostra e confirme.
3. Utilize ▲ ou ▼ para seleccionar

Opção	Descrição
<b>Automático</b>	É atribuído automaticamente um número consecutivo a cada amostra.
<b>Manual</b>	Antes de obter uma amostra, é necessário um teclado ou um digitalizador de código de barras para introduzir o nome do ID de amostra (máximo de 15 caracteres).

### Seleccionar a saída de dados

Os dados podem ser armazenados ou transferidos para uma impressora ou PC.

1. No menu principal, utilize ▲ ou ▼ para seleccionar SISTEMA. Confirme.
2. Utilize ▲ ou ▼ para seleccionar Saída de dados e confirme.



### 3. Utilize ▲ ou ▼ para seleccionar

Opção	Descrição
<b>Desactivado</b>	Selecione Desactivado se não estiver ligada qualquer impressora ou PC.
<b>Para impressora</b>	Selecione Impressora de matriz de pontos ou Impressora térmica.
<b>Para computador</b>	Selecione Terminal, LabCom ou LabCom Easy. O software LabCom controla vários módulos, medidores de pH e condutividade, buretas automáticas, provadores, entre outros, a partir de um computador. O software LabCom Easy obtém dados de pH e condutividade a partir de um PC.

## Alterar a data e a hora

A data e a hora podem ser alteradas no menu Data/Hora.

1. No menu principal, utilize ▲ ou ▼ para seleccionar SISTEMA. Confirme.
2. Utilize ▲ ou ▼ para seleccionar Data/Hora e confirme.
3. Utilize ◀ e ▶ para avançar para o passo seguinte e utilize ▲ ou ▼ para alterar um valor. Confirme.  
A data e hora actuais serão exibidos no ecrã.

## Ajustar o contraste do ecrã

1. No menu principal, utilize ▲ ou ▼ para seleccionar SISTEMA. Confirme.
2. Utilize ▲ ou ▼ para seleccionar Contraste do ecrã e confirme.
3. Utilize ◀ e ▶ para ajustar o contraste do ecrã e confirme.

## Ajustar a temperatura

A medição de temperatura pode ser regulada para 25 °C (77 °F) e/ou 85 °C (185 °F) para aumentar a precisão.

1. Coloque a sonda e um termómetro de referência num recipiente com água a uma temperatura de aproximadamente 25 °C e deixe a temperatura estabilizar.
2. Compare o valor da temperatura obtido pelo medidor com o do termóstato de referência. A diferença é o valor de ajuste para o medidor.  
Exemplo: termóstato de referência: 24,5 °C; medidor: 24,3 °C. Valor de ajuste: 0,2 °C.
3. Introduza o valor de ajuste para o valor de 25 °C:
  - a. No menu principal, utilize ▲ ou ▼ para seleccionar SISTEMA. Confirme.
  - b. Utilize ▲ ou ▼ para seleccionar Ajustar novamente temp. e confirme.
  - c. Selecione Canal 1 ou Canal 2 e confirme. A temperatura do canal 1 é medida pela célula de condutividade e o canal 2 é medido pela sonda de pH. Se não estiver ligada qualquer célula de condutividade, o valor da temperatura deve ser introduzido manualmente ou a temperatura medida no canal 2 pode ser aplicada ao medidor.
  - d. Utilize ▲ ou ▼ para seleccionar 25 °C e confirme.
  - e. Utilize as teclas de setas para introduzir o valor de ajuste para 25 °C. Confirme.
4. Coloque a sonda e um termómetro de referência num recipiente com água a uma temperatura de aproximadamente 85 °C e deixe a temperatura estabilizar.
5. Compare a temperatura da água com a do termómetro de referência. A diferença é o valor de ajuste para o medidor.
  - a. Utilize ▲ ou ▼ para seleccionar 85 °C e confirme.
  - b. Utilize as teclas de setas para introduzir o valor de ajuste para 85 °C. Confirme.
  - c. Selecione Guardar alterações e confirme.

## Alterar as definições de agitação

Pode activar o agitador magnético e alterar a velocidade do agitador no menu Agitação.

1. No menu principal, utilize ▲ ou ▼ para seleccionar SISTEMA. Confirme.
2. Utilize ▲ ou ▼ para seleccionar Agitação e confirme.
3. Para ligar/desligar o agitador, prima ✓.
4. Quando o agitador estiver activado, utilize ▲ ou ▼ para alterar a velocidade de agitação em %.

**Nota:** Utilize ▲ ou ▼ para alterar a velocidade de agitação durante a calibração ou uma medição.

## Ligar ou desligar o agitador

O agitador 1 funciona com os canais 1 e 2 (Agitador 1). Pode ser ligado um segundo agitador ao canal 2 (Agitador 2). No que respeita à activação do agitador 2, proceda de acordo com os seguintes passos.

1. No menu principal, utilize ▲ ou ▼ para seleccionar SISTEMA. Para confirmar, prima ✓.
2. Utilize ▲ ou ▼ para seleccionar o Agitador N.2 e confirme com ✓.
3. Utilize ▲ ou ▼ para seleccionar SIM para ligar o activador 2.

**Nota:** Seleccione NÃO para desligar o agitador 2.

## Alterar as unidades de medida

As unidades de temperatura podem ser alteradas para Celsius ou Fahrenheit.

1. No menu principal, utilize ▲ ou ▼ para seleccionar SISTEMA. Confirme.
2. Utilize ▲ ou ▼ para seleccionar Unidades de temperatura e confirme.
3. Utilize ▲ ou ▼ para seleccionar Celsius ou Fahrenheit e confirme.

## Registador de dados

### Apresentar dados

A opção Apresentar dados contém Dados de medição, Relatório de eléctrodos e Dados de calibração. Os dados armazenados podem ser enviados para uma impressora ou PC. Se o registo de dados ficar cheio (400 pontos de dados), os dados mais antigos são eliminados quando é adicionado um novo ponto de dados.

1. Utilize ◀ e ▶ para seleccionar Canal 1 ou Canal 2 e confirme.
2. No menu principal, utilize ▲ ou ▼ para seleccionar SISTEMA. Confirme.
3. Utilize ▲ ou ▼ para seleccionar REGISTADOR DE DADOS e confirme.
4. Utilize ▲ ou ▼ para seleccionar Apresentar dados e confirme.
5. Utilize ▲ ou ▼ para seleccionar

Opção	Descrição
Dados de medição	Dados de medição—são armazenados automaticamente sempre que uma amostra é medida
Relatório de eléctrodos	Relatório de eléctrodos—armazena automaticamente o histórico de eléctrodos e as condições de medição
Dados de calibração	Calibração —armazena automaticamente a calibração actual

### Eliminar dados

É possível eliminar todos os dados de medição ou o registo do relatório de eléctrodos para remover dados que já tenham sido enviados para uma impressora ou PC.

1. No menu principal, utilize ▲ ou ▼ para seleccionar SISTEMA. Confirme.
2. Utilize ▲ ou ▼ para seleccionar REGISTADOR DE DADOS e confirme.

- Utilize ▲ ou ▼ para seleccionar Apagar e confirme.
- Utilize ▲ ou ▼ para seleccionar Dados de medição ou Relatório de eléctrodos e confirme. Confirme novamente para eliminar os dados. O registo completo é eliminado de imediato.

## Enviar dados para uma impressora ou computador

### ATENÇÃO

É necessário seleccionar primeiro a saída de dados (impressora ou PC), para que o menu Imprimir esteja disponível (consulte [Seleccionar a saída de dados](#) na página 100).

**Nota:** Consulte [Saída de relatório](#) na página 103 para seleccionar o tipo de saída de relatórios.

- No menu principal, utilize ▲ ou ▼ para seleccionar SISTEMA. Confirme.
- Utilize ▲ ou ▼ para seleccionar REGISTADOR DE DADOS e confirme.
- Utilize ▲ ou ▼ para seleccionar Imprimir e confirme. Seccione uma das seguintes opções e confirme com ✓ para imprimir os dados: Dados de medição, Dados dos eléctrodos, Dados de calibração, Relatório de calibração ou Cond. instrumento

## Saída de relatório

### ATENÇÃO

É necessário seleccionar primeiro a saída de dados (impressora ou PC), para que o menu Tipo de relatório esteja disponível (consulte [Seleccionar a saída de dados](#) na página 100).

Quando uma impressora ou PC é ligado, podem ser seleccionados vários tipos de saída de relatório.

- No menu principal, utilize ▲ ou ▼ para seleccionar SISTEMA. Confirme.
- Utilize ▲ ou ▼ para seleccionar Tipo de relatório e confirme.

- Quando uma impressora ou computador e Terminal estão ligados, utilize ▲ ou ▼ para seleccionar

Opção	Descrição
<b>Reduzido</b>	Seccione Várias ou Uma amostra como formato de saída
<b>Padrão</b>	Seccione Várias ou Uma amostra como formato de saída. Seccione várias: <b>Utilizadores:</b> o nome de utilizador é apresentado no relatório impresso (17 caracteres). <b>Cabeçalho:</b> o nome da empresa pode ser adicionado como cabeçalho (40 caracteres) e aparece no relatório de impressão. <b>Identificar sensor:</b> o modelo do sensor e o número de série do sensor podem ser adicionados e apresentados no relatório de impressão.
<b>GLP</b>	Seccione Várias ou Uma amostra como formato de saída. Seccione várias: <b>Utilizadores:</b> o nome de utilizador é apresentado no relatório impresso (17 caracteres). <b>Cabeçalho:</b> o nome da empresa pode ser adicionado como cabeçalho (40 caracteres) e aparece no relatório de impressão. <b>Identificar sensor:</b> o modelo do sensor e o número de série do sensor podem ser adicionados e apresentados no relatório de impressão.

- Quando um computador é ligado e o LabCom Easy (consulte [Seleccionar a saída de dados](#) na página 100 para obter mais informações) é seleccionado, utilize ▲ ou ▼ para seleccionar

Opção	Descrição
<b>Utilizadores</b>	O nome de utilizador é apresentado no relatório apresentado (17 caracteres).
<b>Identificar sensor</b>	O modelo do sensor e o número de série do sensor podem ser adicionados e apresentados no relatório de impressão.

## Manutenção

### ▲ ADVERTÊNCIA

Vários perigos. Não desmonte o aparelho para proceder à manutenção. Se for necessário limpar ou reparar os componentes internos, contacte o fabricante.

## **⚠ AVISO**

Perigo de danos pessoais. As tarefas descritas neste capítulo do manual devem ser efectuadas apenas por pessoal qualificado.

## **Limpeza do produto**

### **ATENÇÃO**

Nunca utilize produtos de limpeza como terebintina, acetona ou semelhantes para limpar o instrumento, incluindo o visor e os acessórios.

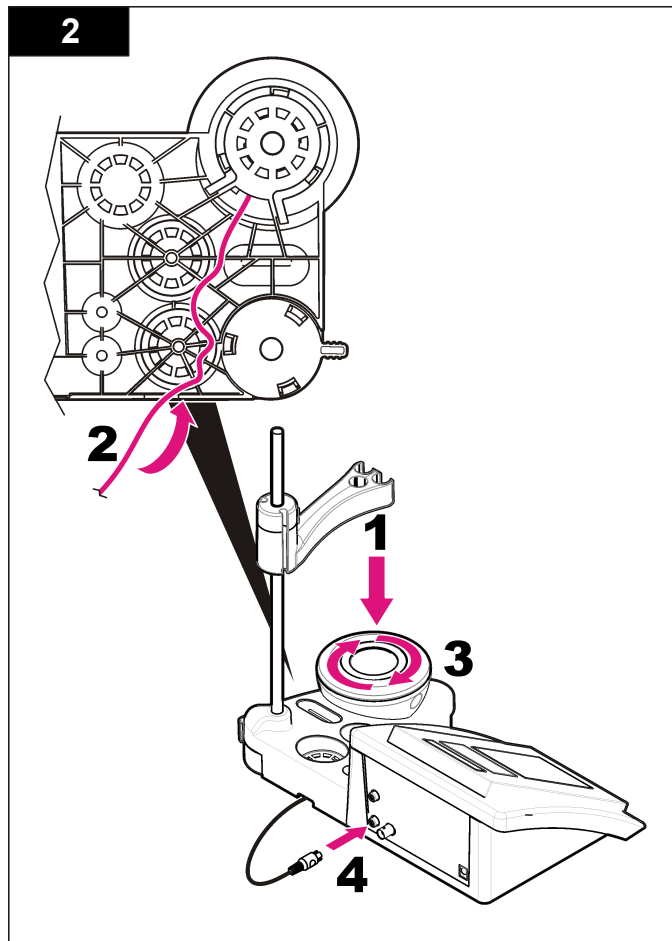
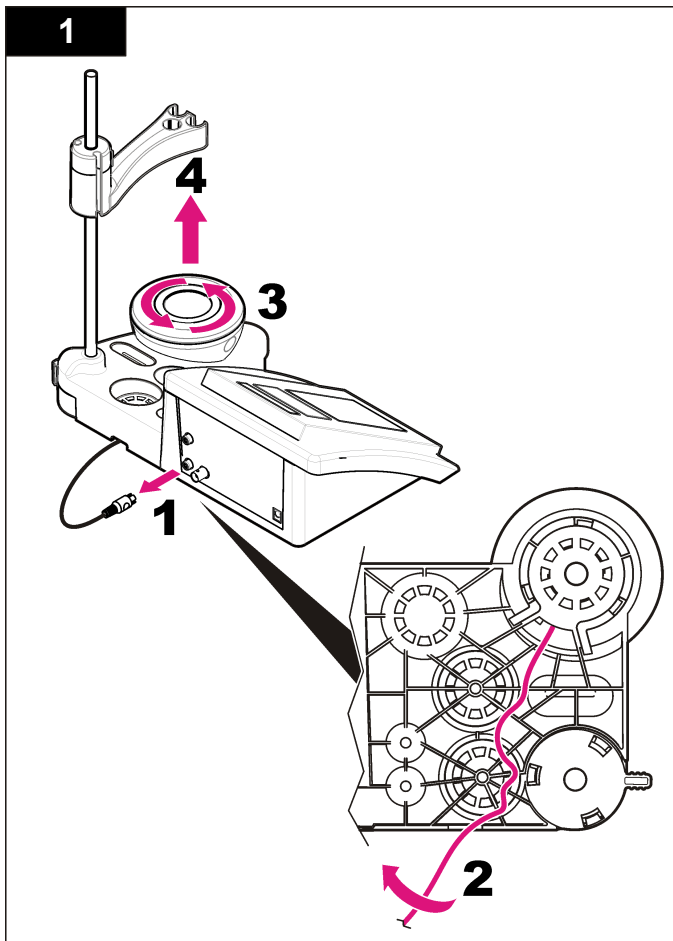
Limpe o exterior do instrumento com um pano humedecido e uma solução de sabão suave.

## **Limpeza da sonda**

Limpe a sonda conforme necessário. Consulte [Resolução de problemas](#) na página 106 para obter mais informações acerca de limpeza. Consulte a documentação da sonda para obter informações acerca da manutenção da sonda.

## **Substituir o agitador magnético**

Se o agitador magnético não for iniciado, siga os passos numerados para substituir o agitador magnético.



## Resolução de problemas

Consulte a tabela que se segue em caso de mensagens de erro ou sintomas comuns, possíveis causas e acções correctivas.

**Tabela 1 Avisos e erros de calibração**

Erro/Aviso	Solução
Assimetria > 58 mV	Declive fora de intervalo (valores aceites $\pm 58$ mV). Calibre novamente. Ligue uma nova sonda.
Tampão ou eléctrodo em condições deficientes.	Examine a sonda: limpe a sonda (consulte <a href="#">Limpeza da sonda</a> na página 104 para obter mais informações); certifique-se de que não existem bolhas de ar na membrana. Agite a sonda, tal como faria com um termómetro; ligue uma sonda diferente para verificar se o problema está relacionado com a sonda ou o medidor.  Examine a solução de tampão: certifique-se de que o tampão utilizado corresponde ao tampão especificado na configuração; assegure-se de que configurou a temperatura específica; utilize a nova solução de tampão.
TAMPÃO NÃO RECONHECIDO	Calibre novamente.
Sens. (a) < 70%	Examine a sonda: limpe a sonda (consulte <a href="#">Limpeza da sonda</a> na página 104 para obter mais informações); certifique-se de que não existem bolhas de ar na membrana. Agite a sonda, tal como faria com um termómetro; ligue uma sonda diferente para verificar se o problema está relacionado com a sonda ou o medidor.  Examine a solução de tampão: certifique-se de que o tampão utilizado corresponde ao tampão especificado na configuração; assegure-se de que configurou a temperatura específica; utilize a nova solução de tampão.
VALOR INSTÁVEL Hora t> 100 s	Calibre novamente.  Examine a sonda: limpe a sonda (consulte <a href="#">Limpeza da sonda</a> na página 104 para obter mais informações); certifique-se de que não existem bolhas de ar na membrana. Agite a sonda, tal como faria com um termómetro; ligue uma sonda diferente para verificar se o problema está relacionado com a sonda ou o medidor.  Certifique-se de que a membrana e o diafragma estão mergulhados correctamente na amostra.

**Tabela 1 Avisos e erros de calibração (continuação)**

Erro/Aviso	Solução
Verifique a temperatura. Verificar o eléctrodo	Tenha em atenção a especificação de temperatura na configuração.  Examine a sonda: limpe a sonda (consulte <a href="#">Limpeza da sonda</a> na página 104 para obter mais informações); certifique-se de que não existem bolhas de ar na membrana. Agite a sonda, tal como faria com um termómetro; ligue uma sonda diferente para verificar se o problema está relacionado com a sonda ou o medidor.
Eléctrodo em condições deficientes.	Examine a sonda: limpe a sonda (consulte <a href="#">Limpeza da sonda</a> na página 104 para obter mais informações); certifique-se de que não existem bolhas de ar na membrana. Agite a sonda, tal como faria com um termómetro; ligue uma sonda diferente para verificar se o problema está relacionado com a sonda ou o medidor.
Verifique o eléctrodo.	Examine a sonda: limpe a sonda (consulte <a href="#">Limpeza da sonda</a> na página 104 para obter mais informações); certifique-se de que não existem bolhas de ar na membrana. Agite a sonda, tal como faria com um termómetro; ligue uma sonda diferente para verificar se o problema está relacionado com a sonda ou o medidor.
TAMPÕES IDÉNTICOS	Calibre novamente.  Examine a sonda: limpe a sonda (consulte <a href="#">Limpeza da sonda</a> na página 104 para obter mais informações); certifique-se de que não existem bolhas de ar na membrana. Agite a sonda, tal como faria com um termómetro; ligue uma sonda diferente para verificar se o problema está relacionado com a sonda ou o medidor.  Examine a solução de tampão: utilize uma nova solução de tampão.

**Tabela 2 Avisos e erros de calibração**

Erro/Aviso	Solução
pH 12,78 19 °C	Calibre novamente.
pH fora do intervalo	Examine a sonda: limpe a sonda (consulte <a href="#">Limpeza da sonda</a> na página 104 para obter mais informações); certifique-se de que não existem bolhas de ar na membrana. Agite a sonda, tal como faria com um termómetro; ligue uma sonda diferente para verificar se o problema está relacionado com a sonda ou o medidor.

**Tabela 2 Avisos e erros de calibração (continuação)**

Erro/Aviso	Solução
Temp. fora do intervalo °C	Examine o sensor de temperatura. Ligue uma sonda diferente para verificar se existe algum problema com a sonda ou o medidor.
Hora > 60 s	Certifique-se de que a membrana e o diafragma estão mergulhados correctamente na amostra. Verifique a temperatura.
Hora > 150 s	
Hora > 300 s	
10,389 mg/L >>>>>	Medição de ISE: o valor medido é superior ao padrão mais elevado utilizado na calibração. Faça a medição novamente.
00012 00:13	
0,886 mg/L <<<<<<	Medição de ISE: o valor medido é inferior ao padrão mais baixo utilizado na calibração. Faça a medição novamente.
00018 00:11	

## Acessórios e peças de substituição

**Nota:** Os números do Produto e Artigo podem variar consoante as regiões de venda. Para mais informações de contacto, contacte o distribuidor apropriado ou consulte o site web da empresa.

### Componentes de substituição

Descrição	Item nº
Medidor de pH sensION+ PH3 Lab com acessórios, sem sonda	LPV2000.98.0002
Medidor de pH sensION+ PH31 Lab com acessórios, sem sonda	LPV2100.98.0002

## Acessórios e peças de substituição (continuação)

Descrição	Item nº
medidor de iões e ph sensION+ MM340 Lab, GLP, 2 canais, com acessórios, sem sonda	LPV2200.98.0002
medidor de condutividade sensION+ EC7 Lab, com acessórios, sem sonda	LPV3010.98.0002
medidor de condutividade sensION+ EC71 Lab, com acessórios, sem sonda	LPV3110.98.0002
sensION+ MM374, medidor Lab de 2 canais, GLP, acessórios, sem sonda	LPV4110.98.0002

### Consumíveis

Descrição	Item nº
Solução de tampão de pH 4.01, 125 mL	LZW9460.99
Solução de tampão de pH 7.00, 125 mL	LZW9461.98
Solução de tampão de pH 10.01, 125 mL	LZW9470.99
Solução de tampão de pH 4.01, 250 mL	LZW9463.99
Solução de tampão de pH 7.00, 250 mL	LZW9464.98
Solução de tampão de pH 10.01, 250 mL	LZW9471.99
Solução de tampão de pH 4.01, 1000 mL	LZW9466.99
Solução de tampão de pH 7.00, 1000 mL	LZW9467.98
Solução de tampão de pH 10.01, 1000 mL	LZW9472.99
Solução electrolítica (KCl 3M), 125 mL	LZW9510.99
Solução electrolítica (KCl 3M), 250 mL	LZW9500.99
Solução electrolítica (KCl 3M), 50 mL	LZW9509.99
Solução electrolítica 0.1 M, 125 mL	LZW9901.99

## Acessórios e peças de substituição (continuação)

Descrição	Item nº
Solução enzimática	2964349
Solução de limpeza com pepsina	2964349
Solução de limpeza com electrodos	2965249
Solução 0.1 N HCl	1481253

## Acessórios

Descrição	Item nº
Impressora térmica, RS232, para bancada sensION+	LZW8201.99
Papel térmico para a impressora LZW8201, saco com 5 rolos	LZW9117.99
Impressora de impacto de pontos, RS232, para instrumentos sensION+	LZW8200.99
Papel térmico para a impressora LZW8200, saco com 10 rolos	LZW9000.99
Fita para impressora LZW8200, 3 unidades	LZW9001.99
LabCom Easy PC SW, para sensION+ GLP, CD, cabo, adaptador USB	LZW8997.99
LabCom Easy PC SW, para sensION+ GLP, CD, cabo, adaptador USB	LZW8999.99
Cabo RS232, para instrumentos da bancada sensION+	LZW9135.99
Cabo RS232 para a bancada sensION+, com adaptador USB	LZW9135USB.99
Agitador magnético com suporte para o sensor, para bancada sensION+ MM	LZW9319.99
Provetas impressas de 3x50 mL para calibração da bancada de pH	LZW9110.98

## Acessórios e peças de substituição (continuação)

Descrição	Item nº
Suporte para três sensores, para instrumentos da bancada sensION+	LZW9321.99
Suporte e grampo para três sensores	LZW9155.99
Câmara de vidro de pirex, medições de fluxo contínuo	LZW9118.99
Sistema de protecção PP, armazenamento de electrodos	LZW9161.99

## Soluções padrão

### Soluções de tampões técnicos (DIN 19267)

Consulte [Tabela 3](#) valores de pH e POR (mV) dos conjuntos de tampões específicos a diversas temperaturas.

**Tabela 3 Valores de pH, ORP (mV) e temperatura**

Temperatura		pH					mV
°C	°F						
0	32	2.01	4.01	7.12	9.52	10.30	—
10	50	2.01	4.00	7.06	9.38	10.17	245
20	68	2.00	4.00	7.02	9.26	10.06	228
<b>25</b>	<b>77</b>	<b>2.00</b>	<b>4.01</b>	<b>7.00</b>	<b>9.21</b>	<b>10.01</b>	<b>220</b>
30	86	2.00	4.01	6.99	9.16	9.96	212
40	104	2.00	4.03	6.97	9.06	9.88	195
50	122	2.00	4.06	6.97	8.99	9.82	178
60	140	2.00	4.10	6.98	8.93	9.76	160
70	158	2.01	4.16	7.00	8.88	—	—
80	176	2.01	4.22	7.04	8.83	—	—
90	194	2.01	4.30	7.09	8.79	—	—



**Soluções-tampão (DIN 19266)**

Consulte [Tabela 4](#) para valores de pH e ORP (mV) de conjuntos de tampões específicos a diversas temperaturas.

**Tabela 4 Valores de pH, ORP (mV) e temperatura**

Temperatura		pH					mV	
°C	°F							
5	32	1.668	4.004	6.951	7.087	9.395	10.245	13.207
10	50	1.670	4.000	6.923	7.059	9.332	10.179	13.003
20	68	1.675	4.001	6,881	7.016	9.225	10.062	12.627
<b>25</b>	<b>77</b>	<b>1.679</b>	<b>4.006</b>	<b>6.865</b>	<b>7.000</b>	<b>9.180</b>	<b>10.012</b>	<b>12.454</b>
30	86	1.683	4.012	6.853	6.987	9.139	9.966	12.289
40	104	1.694	4.031	6.838	6.970	9.068	9.889	11.984
50	122	1.707	4.057	6.833	6.964	9.011	9.828	11.705
60	140	1.723	4.085	6.836	6.968	8.962	—	11.449
70	158	1.743	4.126	6.845	6.982	8.921	—	—
80	176	1.766	4.164	6.859	7.004	8.885	—	—
90	194	1.792	4.205	6.877	7.034	8.850	—	—

## Technické údaje

Technické údaje podléhají změnám bez předchozího upozornění.

Technické parametry	Podrobnosti
Rozměry	35 x 20 x 11 cm (13.78 x 7.87 x 4.33 palce)
Hmotnost	1100 g (2.43 lb)
Krytí	IP42
Požadavky na napájení (externí)	100–240 V, 0,4 A, 47–63 Hz
Ochranná třída měřidla	Třída II
Skladovací teplota	–15 až +65 °C (5 až +149 °F)
Provozní teplota	0 až 40 °C (41 až 104 °F)
Provozní vlhkost	< 80 % (nekondenzující)
Rozlišení	pH: 0,1/0,01/0,001, ORP: 0,1/1 mV, ISE: programovatelné, teplota: 0,1 °C (0,18 °F)
Chyba měření (± 1 číslice)	pH: 0,002, ORP: ≤ 0,2 mV, teplota: ≤ 0,2 °C (≤ 0,36 °F)
Opakovatelnost (± 1 číslice)	pH: 0,001, ORP: ± 0,1 mV, teplota: ± 0,1 °C (± 0,18 °F)
Ukládání dat	330 výsledků a posledních 9 kalibrací
Konektory	2 Kombinovaná nebo měřicí sonda: konektor BNC (imp. >10 <sup>12</sup> Ω); 2 referenční elektrody: banánkový konektor; A.T.C. typ Pt 1000: banánkový nebo telefonní konektor; magnetická míchačka: konektor RCA; 2 magnetické míchačky: konektor RCA
Korekce teploty	Ruční, teplotní sonda Pt 1000 (A.T.C.), izopotenciální pH programovatelné, standardní hodnota 7,00
Režim měření	Kontinuální měření, podle stability
Displej	Tekutý krystal, podsvícení, 128x64 bodů

Technické parametry	Podrobnosti
Klávesnice	PET s ochranným povrchem
Certifikace	CE

## Obecné informace

Revidovaná vydání jsou dostupná na internetových stránkách výrobce.

## Bezpečnostní informace

### UPOZORNĚNÍ

Výrobce neodpovídá za škody způsobené nesprávnou aplikací nebo nesprávným použitím tohoto produktu včetně (nikoli pouze) přímých, náhodných a následných škod a zřídka se odpovědnosti za takové škody v plném rozsahu, nakolik to umožňuje platná legislativa. Uživatel je výhradně zodpovědný za určení kritických rizik aplikace a za instalaci odpovídajících mechanismů ochrany procesů během potenciální nesprávné funkce zařízení.

Před vybalením, montáží a uvedením přístroje do provozu si prosím pozorně přečtete celý tento návod. Zvláštní pozornost věnujte všem upozorněním na možná nebezpečí a výstražným informacím. V opačném případě může dojít k vážným poraněním obsluhy a poškození přístroje.

Ujistěte se, že nedošlo k poškození obalu tohoto zařízení a přístroj nepoužívejte a neinstalujte jinak, než jak je uvedeno v tomto návodu.

## Informace o možném nebezpečí

### ⚠ NEBEZPEČÍ

Označuje možnou nebo bezprostředně rizikovou situaci, jež může v případě, že jí nezabráníte, vést k usmrcení nebo vážnému zranění.

### ⚠ VAROVÁNÍ

Upozorňuje na možné nebo skryté nebezpečné situace, jež by bez vhodných preventivních opatření mohly vést k úmrtí nebo vážnému poranění.

## ▲ POZOR



Upozorňuje na možnou nebezpečnou situaci, jež by mohla mít za následek menší nebo mírné poranění.

## UPOZORNĚNÍ

Označuje situaci, která může způsobit poškození přístroje, pokud se nezabrání jejímu vzniku. Upozorňuje na informace vyžadující zvláštní pozornost.

## Výstražné symboly

Přečtěte si všechny nálepky a etikety připevněné k přístroji. V opačném případě může dojít k poranění osob nebo poškození přístroje. Symbol uvedený na přístroji odkazuje na informaci o nebezpečí nebo nutnosti zachovávat opatrnost uvedenou v této příručce.

	Tento symbol, pokud je uveden na zařízení, odkazuje na provozní a/nebo bezpečnostní informace uvedené v uživatelské příručce.
	Elektrické zařízení označené tímto symbolem se po 12. srpnu 2005 nesmí likvidovat prostřednictvím evropských systémů veřejného odpadu. V souladu s evropskými místními a národními předpisy (Směrnice EU 2002/98/ES) musí evropští uživatelé elektrických zařízení vrátit staré zařízení nebo zařízení s prošlou životností výrobci k likvidaci, a to zdarma. <b>Poznámka:</b> Obratťe se prosím na výrobce nebo dodavatele zařízení a vyžádejte si pokyny, jak vrátit zařízení s prošlou životností, elektropříslušenství dodané výrobcem a veškeré doplňkové položky k řádné likvidaci.

## Celkový přehled

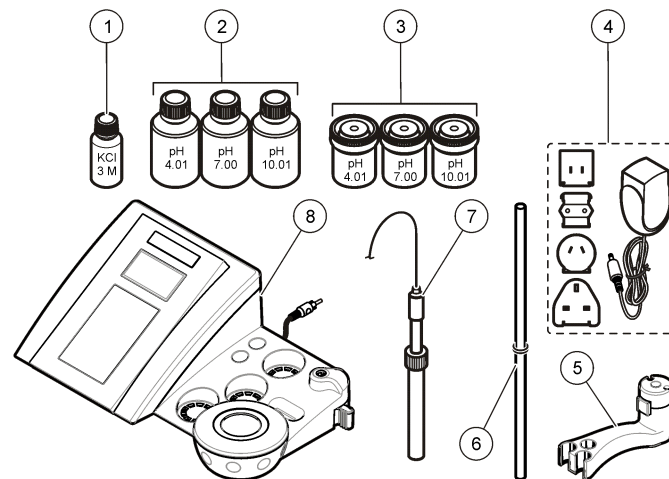
Měřidla řady sensION™+ se používají se sondami k měření různých parametrů vody.

Měřidlo sensION™+ MM340 má dva měřicí kanály pro měření pH, ORP (mV) nebo ISE (koncentrace) se selektivní sondou. Data měření lze uložit nebo přenést do tiskárny nebo počítače.

## Součásti výrobku

Přesvědčte se, zda byly dodány všechny součásti, viz **Obr. 1**. V případě, že některé položky chybí nebo jsou poškozené, se ihned obraťte na výrobce nebo příslušného obchodního zástupce.

**Obr. 1** Součásti měřidla

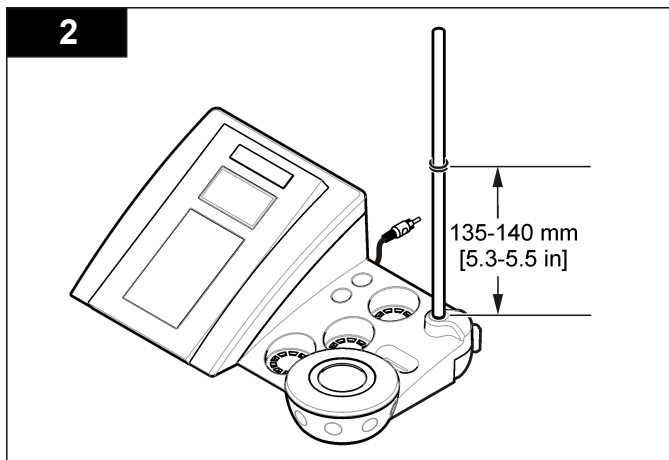
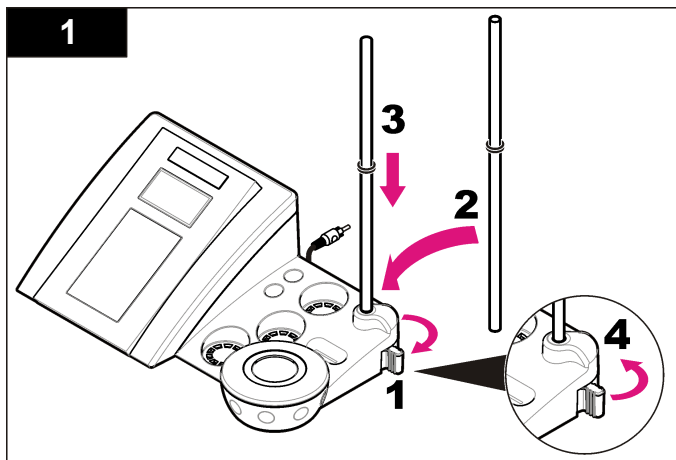


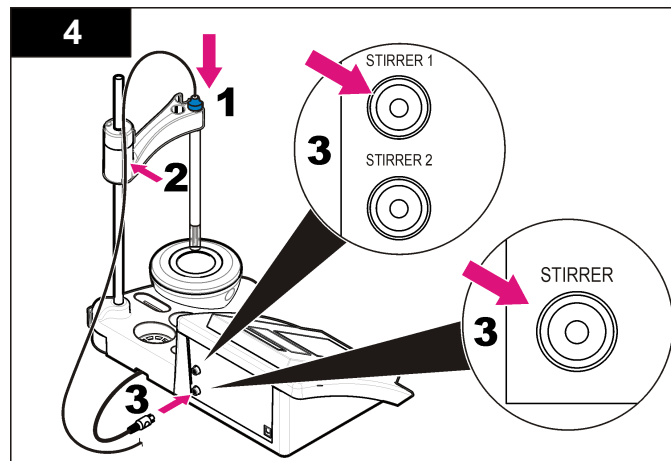
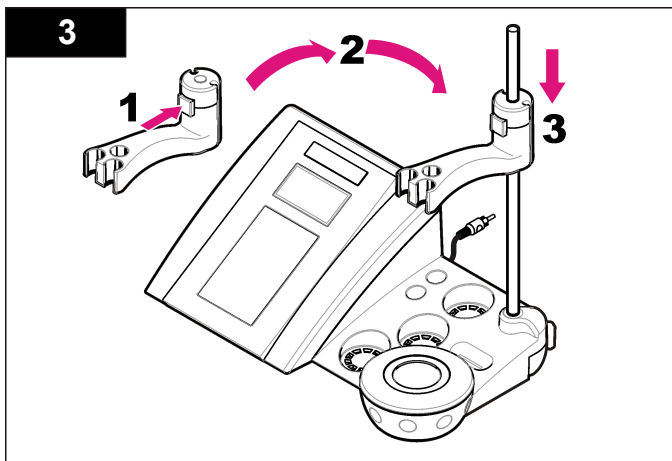
1 Elektrolyt pro sondu	5 Držák sondy
2 Pufrové roztoky (pH 4,01, pH 7,00 a pH 10,01)	6 Tyč s o-kroužkem
3 Kalibrační kádinky (s magnetickým míchadlem uvnitř)	7 Sonda (pouze v sadách)
4 Zdroj napájení	8 Měřidlo

## Instalace

### Sestavení držáku sondy

Při sestavování držáku sondy postupujte podle číslovaných kroků a připojte magnetickou míchačku.





## Připojení ke zdroji střídavého proudu (AC)

### ⚠ NEBEZPEČÍ

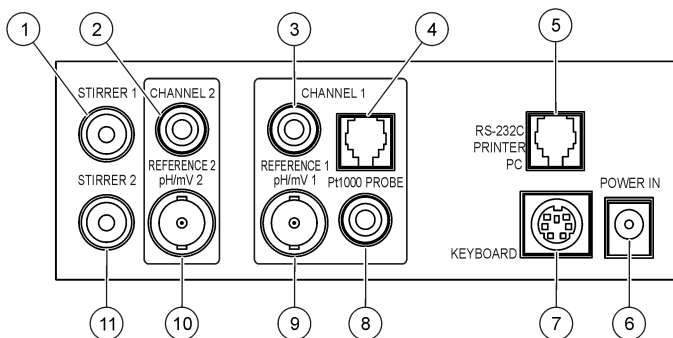


Nebezpečí poranění elektrickým proudem. Pokud se toto zařízení používá mimo kryté prostory nebo na potenciálně vlhkých místech, musí se k připojení zařízení k hlavnímu zdroji napájení použít vypínač zemních poruchových proudů (GFCI/GFI).

Měřidlo je možné napájet střídavým proudem pomocí univerzálního napájecího adaptéru.

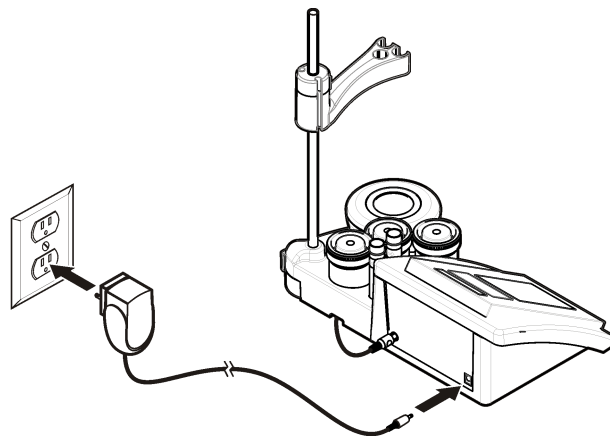
1. Ze sady adaptéru vyberte správnou zástrčku adaptéru pro výstup napájení.
2. Připojte k měřidlu univerzální napájecí adaptér (Obr. 2).
3. Do zásuvky napájení střídavým proudem zapojte univerzální napájecí adaptér (Obr. 3).
4. Zapněte měřidlo.

**Obr. 2 Panel konektorů**



<b>1</b> Konektor magnetické míchačky 1, kanál 1	<b>7</b> Konektor mini DIN pro klávesnici počítače
<b>2</b> Konektor referenční elektrody (samostatných elektrod), kanál 1	<b>8</b> Konektor teplotní sondy, kanál 2
<b>3</b> Konektor referenční elektrody (samostatných elektrod), kanál 2	<b>9</b> Kombinovaný konektor elektrody pH (nebo měřící), kanál 2
<b>4</b> Konektor samostatné teplotní sondy, kanál 2	<b>10</b> Kombinovaný konektor elektrody pH (nebo měřící), kanál 1
<b>5</b> RS-232 pro konektor tiskárny nebo počítače	<b>11</b> Konektor magnetické míchačky 2, kanál 2
<b>6</b> Zdroj napájení	

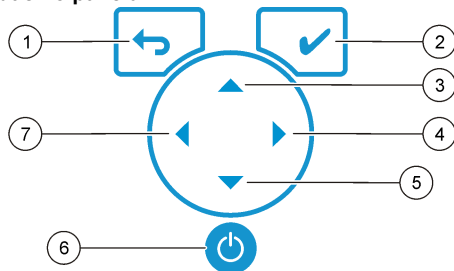
**Obr. 3 Připojení zdroje napájení střídavým proudem**



## Uživatelské rozhraní a navigační tlačítka

### Uživatelské rozhraní

#### Popis ovládacího panelu

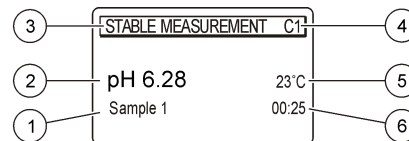


1 Klávesa RETURN: zrušení nebo opuštění obrazovky aktuální nabídky a přechod do obrazovky předchozí nabídky	5 Klávesa DOLŮ: přechod na další možnosti, změna hodnoty
2 Klávesa MĚŘENÍ: potvrzení vybrané možnosti	6 ON/OFF: zapnutí nebo vypnutí měřidla
3 Klávesa NAHORU: přechod na další možnosti, změna hodnoty	7 Klávesa DOLEVA: přepínání na Kanál 1 a Kanál 2, zadávání čísel a písmen
4 Klávesa DOPRAVA: přepínání na Kanál 1 a Kanál 2, zadávání čísel a písmen	

#### Popis displeje

Měřidlo zobrazuje koncentraci, jednotku, teplotu, stav kalibrace, ID obsluhy, ID vzorku, datum a čas.

Obr. 4 Displej s jedinou obrazovkou



1 ID vzorku	4 Teplota vzorku (° C nebo ° F)
2 Měrná jednotka a hodnota (pH, ORP (mV) nebo ISE)	5 Vizualní časovač měření
3 Režim měření nebo čas a datum	

#### Navigace

Pomocí klávesy ↶ se vrátíte do předchozí nabídky. Pomocí klávesy ✓ můžete změřit vzorek nebo potvrdit možnosti. Chcete-li procházet jiné možnosti nebo změnit hodnotu, použijte klávesy se šipkami ▲ ▼. Chcete-li změnit parametry, použijte klávesy se šipkami ◀ ▶. U každé úlohy si prostudujte konkrétní pokyny.

#### Spuštění

#### Vypněte a zapněte měřidlo

### UPOZORNĚNÍ

Než měřidlo zapnete, zkontrolujte připojení sondy k měřidlu.

Stisknutím klávesy ⏻ měřidlo zapnete nebo vypnete. Pokud se měřidlo nezapne, zkontrolujte, zda je správně připojeno napájení střídavým proudem k elektrické zásuvce.

#### Změna jazyka

Při prvním zapnutí měřidla se zvolí jazyk displeje.

1. Pomocí klávesy ▲ nebo ▼ můžete vybrat jazyk ze seznamu.

2. Potvrďte tlačítkem . Obrazovka měření zobrazuje DATA OUTPUT (Datový výstup).
3. Zvolte Deactivated (Deaktivováno), pokud není připojena tiskárna ani počítač, a potvrďte. Více informací o datovém výstupu viz [Výběr výstupu dat](#) na straně 118.

## Standardní operace

### Kalibrace

#### ⚠ VAROVÁNÍ

Nebezpečí expozice chemikáliím. Řiďte se bezpečnostními předpisy laboratoře a při práci s konkrétními chemikáliemi používejte veškeré vybavení určené pro osobní bezpečnost. Bezpečnostní protokoly viz aktuální datové bezpečnostní listy materiálů (MSDS).

### Nastavení kalibrace

Nastavení kalibrace obsahuje možnosti Calibration type (Typ kalibrace), Calibration frequency (Interval kalibrace) a Display (Displej).

1. Pro výběr volby CALIBRATION (Kalibrace) použijte klávesu nebo v hlavní nabídce. Potvrdit.
2. Pomocí klávesy přejdete do nabídky kalibrace.
3. Pomocí klávesy nebo zvolte následující možnosti:

Možnost	Popis
<b>Stability C. (Kritérium stability):</b>	Kritérium podle stability - zvolte Fast (Rychlý), Standard (Standardní) nebo Strict (Striktní).
<b>Calibration type (Typ kalibrace)</b>	Typ kalibrace - zvolte Technical buffers (Technické pufrы), DIN19266 Buffers (Pufrы DIN19266), User Buffers (Uživatelské pufrы), To a X value (Do hodnoty X), data introduction (Zadání dat) nebo Theoretical calibration (Teoretická kalibrace). Další informace naleznete v <a href="#">Calibration types</a> .

Možnost	Popis
<b>Cal. frequency (Interval kalibrace)</b>	Připomenutí kalibrace - lze nastavit 0 až 7 dní (výchozí nastavení je denně). Displej zobrazuje zbyvajcí dobu do nové kalibrace. Další informace naleznete v <a href="#">Nastavení připomenutí kalibrace</a> na straně 117.
<b>Display mV (Zobrazit mV)</b>	Zobrazit mV - zvolte YES (Ano) nebo NO (Ne) podle toho, zda se má zobrazovat mV.
<b>Standard 220 mV (Standard 220 mV)</b>	Standard 220 mV - kalibrace se standardním roztokem 220 mV
<b>To a X value (Do hodnoty X)</b>	Do hodnoty X - použijte specifický standardní roztok. Upravte hodnotu během kalibrace.
<b>Data introduction (Zadání dat)</b>	Kompenzace zadání dat - zadejte kompenzační hodnotu
<b>Factory adjust (Tovární úprava)</b>	Tovární úprava - zadejte kompenzační hodnotu

### Calibration types (Typy kalibrace)

Lze zvolit různé typy kalibrace.

1. Pro výběr volby CALIBRATION (Kalibrace) použijte klávesu nebo v hlavní nabídce. Potvrdit.
2. Pomocí klávesy přejdete do nabídky kalibrace.
3. Pomocí klávesy nebo zvolte typ kalibrace.

Možnost	Popis
<b>Technical buffers (Technické pufrы)</b>	pH 2,00, 4,01, 7,00, 9,21 a 10.01 při 25 °C (77 °F)
<b>DIN19266 Buffers (Pufrы DIN19266)</b>	pH 1,679, 4,006, 6,865, 7,000, 9,180, 10,012 a 12,454



Možnost	Popis
<b>User Buffers (Uživatelské pufrý)</b>	Zvoleno, pokud se nepoužívají technické pufrý nebo pufrý DIN19266. Viz <a href="#">Technické pufrové roztoky (DIN 19267)</a> na straně 126 s hodnotami pH specifických pufrových souprav při různých teplotách.
<b>Calibration to a X value (Kalibrace do hodnoty X)</b>	Pokud chcete ručně upravit libovolnou hodnotu stupnice naměřeného pH.
<b>Data introduction (Zadání dat)</b>	Ruční zadání konstanty pro sondu
<b>Theoretical calibration (Teoretická kalibrace)</b>	Data kalibrační sondy se nahradí při 25 °C (77 °F).

## Postup kalibrace

Tento postup je určen pro všeobecné použití s tekutými kalibračními roztoky. Další informace si prostudujte v dokumentech přiložených k jednotlivým sondám.

**Poznámka:** Během kalibrace roztoky míchejte. Další informace o nastavení míchání viz [Změna nastavení míchání](#) na straně 119.

1. Nalijte pufrové nebo kalibrační roztoky do označených kalibračních kádinek.
2. V hlavní nabídce pomocí kláves **▲** nebo **▼** a **◀** a **▶** zvolte parametr CALIBRATION (Kalibrace). Potvrdit.
3. Je-li to vyžadováno, zvolte Operator ID (Identifikátor operátora, 1 až 10) a potvrďte.
4. Opláchněte sondu deionizovanou vodou a vložte sondu nejprve do první kalibrační kádinky. Zkontrolujte, že na membráně nejsou žádné vzduchové bublinky.
5. Stisknutím klávesy **✓** spusťte kalibraci.
6. Stisknutím klávesy **✓** nejprve změřte první kalibrační roztok. Zobrazí se další kalibrační roztok.
7. Opláchněte sondu deionizovanou vodou a vložte ji do druhé kalibrační kádinky. Zkontrolujte, že na membráně nejsou žádné vzduchové bublinky.

8. Stisknutím klávesy **✓** změřte druhý kalibrační roztok. Zobrazí se další kalibrační roztok.
9. Opláchněte sondu deionizovanou vodou a vložte ji do třetí kalibrační kádinky. Zkontrolujte, že na membráně nejsou žádné vzduchové bublinky.
10. Stisknutím klávesy **✓** změřte třetí kalibrační roztok. Je-li kalibrace v pořádku, displej zobrazí krátce hlášení Calibration OK (Kalibrace v pořádku) a potom se vrátí do hlavní nabídky. **Poznámka:** Je-li připojena tiskárna, otevře se nabídka tisku a výsledek lze vytisknout.

## Zobrazení kalibračních dat

Lze zobrazit data z poslední kalibrace.

1. Pro výběr volby DATA LOGGER (Protokolování dat) použijte klávesu **▲** nebo **▼** v hlavní nabídce. Potvrdit.
2. Zvolte Display data (Data displeje).
3. Zvolte Calibration data (Kalibrační data) a potvrďte klávesou **✓**. Zobrazí se poslední kalibrační data.
  - pH - zobrazí se střídavě nejprve sklon a posun hodnot a potom odchylka (v procentech) a kalibrační teplota.
  - ORP - zobrazí se naměřená hodnota mV a kalibrační teplota.
  - Vodivost - zobrazí se konstanta cely a kalibrační teplota pro jednotlivé standardy.

## Nastavení připomenutí kalibrace

Připomenutí kalibrace lze nastavit na 1 až 23 hodin nebo 1-7 dní (výchozí nastavení je 1 den). Displej zobrazuje zbývající dobu do nové kalibrace.

**Poznámka:** Je-li zvoleno nastavení 0 dní, připomenutí kalibrace se vypne.

1. Pro výběr volby CALIBRATION (Kalibrace) použijte klávesu **▲** nebo **▼** v hlavní nabídce. Potvrdit.
2. Pomocí klávesy **▲** přejdete do nabídky kalibrace.
3. Pomocí klávesy **▲** nebo **▼** zvolte Cal. frequency (Interval kalibrace).
4. Pomocí kláves **◀** a **▶** přejděte do dalšího kroku a pomocí klávesy **▲** nebo **▼** změřte hodnotu. Potvrdit.

Stisknutím klávesy ✓ spustíte kalibraci.

## Měření vzorků

Pro jednotlivé sondy existují specifické kroky přípravy a postupy měření vzorku.

1. V hlavní nabídce pomocí kláves ▲ nebo ▼ a ◀ a ▶ zvolte parametr MEASURE (Měřit). Potvrďte.
2. Pomocí klávesy ▲ změňte následující nastavení. Potvrďte každý záznam.

Možnost	Popis
<b>Rozlišení</b>	Zvolte rozlišení: 1, 0,1, 0,01 (výchozí) nebo 0,001
<b>Measure (Měření)</b>	Stability (Stabilita) - zvolte kritérium By stability (Podle stability): Fast (Rychlý) (variaci < 0,02 pH během 6 s), Standard (Standardní) (variaci < 0,01 pH během 6 s) nebo Strict (Striktní) (variaci < 0,002 pH během 6 s). In continuous (V kontinuálním) - zadejte časový interval pro kontinuálního získávání dat (ukládání dat nebo tisk dat). By time (Podle času) - zadejte časový interval pro uložení dat nebo tisk dat.
<b>Display mV (Zobrazit mV)</b>	Zobrazit mV - zvolte YES (Ano) nebo NO (Ne) podle toho, zda se má zobrazovat mV.
<b>Limits (Meze)</b>	Meze - zvolte YES (Ano) nebo NO (Ne). ANO: Zadejte horní a dolní meze. Pokud je naměřená hodnota mimo meze, ozve se zvuková výstraha. Je-li měření mimo meze, bude výstup zprávy vedle naměřené hodnoty zobrazovat A.
<b>Isopotential (Izopotenciální)</b>	Izopotenciální - změňte izopotenciální hodnotu pH v Data introduction (Zadání dat). Zvolte Calculate (Vypočítat) pro novou kalibraci sondy.

3. Stisknutím klávesy ✓ spustíte měření.

**Poznámka:** Pokud měření není po 120 sekundách stabilizované, měřidlo se automaticky přepne do režimu kontinuálního měření.

## Rozšířené operace

### Změna měrných jednotek

Měrné jednotky lze změnit jednotlivě pro každý kanál.

1. Pro výběr volby SYSTEM použijte klávesu ▲ nebo ▼ v hlavní nabídce. Potvrďte.
2. Pomocí klávesy ▲ nebo ▼ vyberte měrné jednotky a potvrďte.
3. Zvolte Channel 1 (Kanál 1) nebo Channel 2 (Kanál 2) a potvrďte.
4. Zvolte ORP (mV), pH nebo ISE a potvrďte.

### Použijte ID vzorku

Záložka ID vzorku se používá k propojení naměřených hodnot s konkrétním vzorkem. Jestliže bylo nastaveno ID vzorku, budou uložená data obsahovat toto ID.

1. Pro výběr volby SYSTEM použijte klávesu ▲ nebo ▼ v hlavní nabídce. Potvrďte.
2. Pomocí klávesy ▲ nebo ▼ zvolte Sample ID (Identifikace vzorku) a potvrďte.
3. Pomocí klávesy ▲ nebo ▼ zvolte

Možnost	Popis
<b>Automatická</b>	Každému vzorku budou automaticky přiřazena po sobě jdoucí čísla.
<b>Manuální</b>	Pro zadání identifikačního názvu vzorku před měřením (max. 15 znaků) potřebujete klávesnici nebo skener čárového kódu.

### Výběr výstupu dat

Data lze uložit nebo přenést do tiskárny nebo do počítače.

1. Pro výběr volby SYSTEM použijte klávesu ▲ nebo ▼ v hlavní nabídce. Potvrďte.
2. Pomocí klávesy ▲ nebo ▼ vyberte Data Output (Výstup dat) a potvrďte.

### 3. Pomocí klávesy ▲ nebo ▼ zvolte

Možnost	Charakteristika
<b>Deactivated (Deaktivováno)</b>	Pokud není připojena tiskárna ani počítač, zvolte Deactivated (Deaktivováno).
<b>For Printer (Pro tiskárnu)</b>	Zvolte Dot matrix printer (Jehličková tiskárna) nebo Thermal printer (Termální tiskárna).
<b>For Computer (Pro počítač)</b>	Zvolte Terminal (Terminál), LabCom nebo LabCom Easy. Software LabCom řídí z počítače několik modulů, měřidlo pH a měřidlo vodivosti, automatické byrety, vzorkovače atd. Software LabCom Easy získává data pH a vodivosti z počítače.

## Změna data a času

Datum a čas lze měnit v nabídce Date / Time (Datum/čas).

1. Pro výběr volby SYSTEM použijte klávesu ▲ nebo ▼ v hlavní nabídce. Potvrdit.
2. Pomocí klávesy ▲ nebo ▼ zvolte datum / čas a potvrďte.
3. Pomocí kláves ◀ a ▶ přejděte do dalšího kroku a pomocí klávesy ▲ nebo ▼ změňte hodnotu. Potvrdit.  
Na displeji se objeví aktuální datum a čas.

## Nastavení kontrastu displeje

1. Pro výběr volby SYSTEM použijte klávesu ▲ nebo ▼ v hlavní nabídce. Potvrdit.
2. Pomocí klávesy ▲ nebo ▼ zvolte Display contrast (Kontrast displeje) a potvrďte.
3. Pomocí kláves ◀ a ▶ upravte kontrast displeje a potvrďte.

## Nastavení teploty

Měření teploty lze nastavit na 25 °C (77 °F) a/nebo 85 °C (185 °F), aby se zvýšila přesnost.

1. Vložte sondu a referenční teploměr do nádoby s vodou o teplotě přibližně 25 °C a počkejte, až se teplota stabilizuje.
2. Porovnejte hodnotu teploty odečtenou z měřidla a hodnotu teploty na referenčním teploměru. Rozdíl představuje korekční hodnotu pro měřidlo.  
Příklad: referenční teploměr: 24,5 °C; měřidlo: 24,3 °C. Korekční hodnota: 0,2 °C.
3. Zadejte korekční hodnotu pro odečtenou hodnotu 25 °C:
  - a. Pro výběr volby SYSTEM použijte klávesu ▲ nebo ▼ v hlavní nabídce. Potvrdit.
  - b. Pomocí klávesy ▲ nebo ▼ zvolte Readjust temp (Znovu upravit teplotu). a potvrďte.
  - c. Zvolte Channel 1 (Kanál 1) nebo Channel 2 (Kanál 2) a potvrďte. Teplotu pro kanál 1 měří celá pro vodivost a kanál 2 měří sonda pH. Pokud není připojena žádná celá pro vodivost, je nutné hodnotu teploty zadat ručně nebo lze v měřidle použít teplotu naměřenou v kanálu 2.
  - d. Pomocí klávesy ▲ nebo ▼ zvolte 25 °C a potvrďte.
  - e. Pomocí kláves se šipkami zadejte korekční hodnotu pro 25 °C. Potvrďte.
4. Vložte sondu a referenční teploměr do nádoby s vodou o teplotě přibližně 85 °C a počkejte, až se teplota stabilizuje.
5. Porovnejte teplotu na měřidle a teplotu na referenčním teploměru. Rozdíl představuje korekční hodnotu pro měřidlo.
  - a. Pomocí klávesy ▲ nebo ▼ zvolte 85 °C a potvrďte.
  - b. Pomocí kláves se šipkami zadejte korekční hodnotu pro 85 °C. Potvrďte.
  - c. Zvolte Save changes (Uložit změny) a potvrďte.

## Změna nastavení míchání

Lze zapnout magnetická míchačka a v nabídce Stirring (Míchání) lze změnit rychlost míchání.

1. Pro výběr volby SYSTEM použijte klávesu ▲ nebo ▼ v hlavní nabídce. Potvrdit.

2. Pomocí klávesy ▲ nebo ▼ zvolte Stirring (Míchání) a potvrďte.
3. Chcete-li zapnout nebo vypnout míchačku, stiskněte klávesu ✓.
4. Je-li míchačka zapnutá, můžete pomocí klávesy ▲ nebo ▼ změnit rychlost míchání v %.

**Poznámka:** Pomocí klávesy ▲ nebo ▼ můžete změnit rychlost míchání během kalibrace a během měření.

### Zapnutí nebo vypnutí míchačky

Míchačka 1 pracuje s kanálem 1 a 2 (Míchačka 1). Druhou míchačku lze připojit ke kanálu 2 (Míchačka 2). Aktivace míchačky 2 se provádí v následujících krocích.

1. Pro výběr volby SYSTEM použijte klávesu ▲ nebo ▼ v hlavní nabídce. Potvrďte tlačítkem ✓.
2. Pomocí klávesy ▲ nebo ▼ zvolte Stirrer N.2 (Míchačka č.2) a potvrďte klávesou ✓.
3. Pomocí klávesy ▲ nebo ▼ zvolte YES (Ano), aby se zapnula míchačka 2.  
**Poznámka:** Zvolte NO (Ne), pokud chcete míchačku 2 vypnout.

### Změna jednotek teploty

Jednotky teploty lze změnit na jednotky Celsia nebo jednotky Fahrenheita.

1. Pro výběr volby SYSTEM použijte klávesu ▲ nebo ▼ v hlavní nabídce. Potvrdit.
2. Pomocí klávesy ▲ nebo ▼ vyberte jednotky teploty a potvrďte.
3. Pomocí klávesy ▲ nebo ▼ vyberte jednotky Celsia nebo jednotky Fahrenheita a potvrďte.

## Protokolování dat (datalogger)

### Data displeje

Protokol zobrazení dat obsahuje položky Measurement data (Data měření), Electrode report (Zpráva elektrody) a Calibration data (Data kalibrace). Uložená data lze odeslat do tiskárny nebo do počítače. Jakmile se protokol dat zaplní (400 datových bodů), bude při přidání nového datového bodu odstraněn nejstarší datový bod.

1. Pomocí kláves ◀ a ▶ zvolte Channel 1 (Kanál 1) nebo Channel 2 (Kanál 2) a potvrďte.
2. Pro výběr volby SYSTEM použijte klávesu ▲ nebo ▼ v hlavní nabídce. Potvrdit.
3. Pomocí klávesy ▲ nebo ▼ vyberte DATA LOGGER (Protokolování dat) a potvrďte.
4. Pomocí klávesy ▲ nebo ▼ zvolte Display data (Data displeje) a potvrďte.
5. Pomocí klávesy ▲ nebo ▼ zvolte

Možnost	Popis
<b>Measurement data (Data měření)</b>	Data měření - provede uložení automaticky po každém změření vzorku
<b>Electrode report (Zpráva elektrody)</b>	Zpráva elektrody - automaticky ukládá historii elektrod a podmínky měření
<b>Calibration data (Kalibrační data)</b>	Kalibrační data - uloží automaticky aktuální kalibraci

### Smazání data

Veškerá data měření nebo protokol zprávy elektrod lze odstranit smazáním dat, která již byla odeslána do tiskárny nebo počítače.

1. Pro výběr volby SYSTEM použijte klávesu ▲ nebo ▼ v hlavní nabídce. Potvrdit.
2. Pomocí klávesy ▲ nebo ▼ vyberte DATA LOGGER (Protokolování dat) a potvrďte.

3. Pomocí klávesy ▲ nebo ▼ zvolte Erase (Vymazat) a potvrďte.
4. Pomocí klávesy ▲ nebo ▼ zvolte Measurement data (Data měření) nebo Electrode report (Zpráva elektrody) a potvrďte. Potvrďte znovu smazání dat.  
Celý protokol se smaže najednou.

## Odeslání dat do tiskárny nebo do počítače

### UPOZORNĚNÍ

Datový výstup (tiskárna nebo počítač) je nutné nejprve zvolit, aby byla k dispozici nabídka Print (Tisk) (viz [Výběr výstupu dat](#) na straně 118).

**Poznámka:** Výběr typu výstupu zprávy viz [Výstup zprávy](#) na straně 121.

1. Pro výběr volby SYSTEM použijte klávesu ▲ nebo ▼ v hlavní nabídce. Potvrdit.
2. Pomocí klávesy ▲ nebo ▼ vyberte DATA LOGGER (Protokolování dat) a potvrďte.
3. Pomocí klávesy ▲ nebo ▼ zvolte Print (Tisk) a potvrďte. Zvolte jednu z následujících množností a potvrďte klávesou ✓ tisk dat: data měření, data elektrod, data kalibrace, zpráva o kalibraci nebo stav přístroje.

## Výstup zprávy

### UPOZORNĚNÍ

Datový výstup (tiskárna nebo počítač) je nutné nejprve zvolit, aby byl k dispozici typ zprávy (viz [Výběr výstupu dat](#) na straně 118).

Je-li připojena tiskárna nebo počítač, lze zvolit různé typy výstupů zpráv.

1. Pro výběr volby SYSTEM použijte klávesu ▲ nebo ▼ v hlavní nabídce. Potvrdit.
2. Pomocí klávesy ▲ nebo ▼ zvolte Type of report (Typ zprávy) a potvrďte.

3. Je-li připojena tiskárna nebo počítač a terminál, použijte klávesu ▲ nebo ▼ pro výběr následujících možností

Možnost	Charakteristika
<b>Reduced (Omezený)</b>	Jako výstupní formát zvolte Several (Několik) nebo One sample (Jeden vzorek)
<b>Standard</b>	Select Several (Vybrat několik) nebo One sample (Jeden vzorek) jako výstupní formát. Vybrat několik: <b>Users (Uživatelé):</b> V tištěné zprávě se vytiskne jméno uživatele (17 znaků). <b>Header (Hlavička):</b> Do hlavičky lze přidat a v tištěné zprávě vytisknout název firmy (40 znaků). <b>Identify sensor (Identifikovat snímač):</b> Lze přidat a v tištěné zprávě vytisknout model sondy a sériové číslo sondy.
<b>GLP</b>	Select Several (Vybrat několik) nebo One sample (Jeden vzorek) jako výstupní formát. Vybrat několik: <b>Users (Uživatelé):</b> V tištěné zprávě se vytiskne jméno uživatele (17 znaků). <b>Header (Hlavička):</b> Do hlavičky lze přidat a v tištěné zprávě vytisknout název firmy (40 znaků). <b>Identify sensor (Identifikovat snímač):</b> Lze přidat a v tištěné zprávě vytisknout model sondy a sériové číslo sondy.

4. Je-li připojen počítač a zvolena možnost LabCom Easy (více informací viz [Výběr výstupu dat](#) na straně 118), použijte klávesu ▲ nebo ▼ pro výběr

Možnost	Charakteristika
<b>Users (Uživatelé)</b>	V tištěné zprávě se vytiskne jméno uživatele (17 znaků).
<b>Identify sensor (Identifikovat snímač)</b>	Lze přidat a v tištěné zprávě vytisknout model sondy a sériové číslo sondy.

## Údržba

### ⚠ VAROVÁNÍ

Různá nebezpečí. Nerozebírejte přístroj za účelem údržby či oprav. Pokud je nutné vyčistit nebo opravit vnitřní součásti, obraťte se na výrobce.

## ▲ POZOR

Nebezpečí poranění osob. Práce uvedené v této kapitole smí provádět pouze dostatečně kvalifikovaný personál.

### Vyčistěte přístroj

## UPOZORNĚNÍ

K čištění měřicího přístroje včetně displeje a příslušenství nikdy nepoužívejte čisticí prostředky, jako je např. terpentýn, aceton a podobné látky.

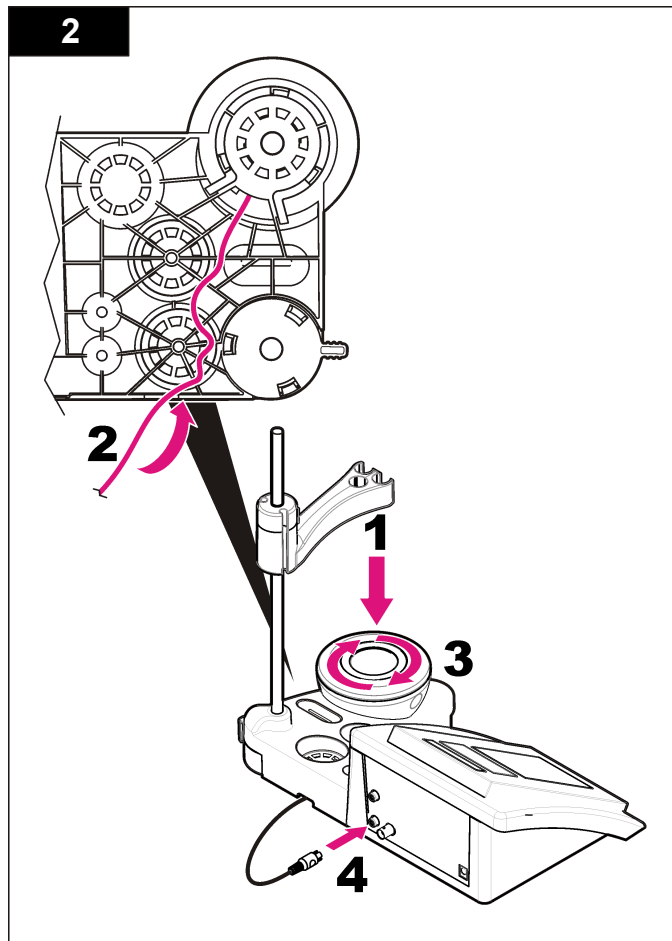
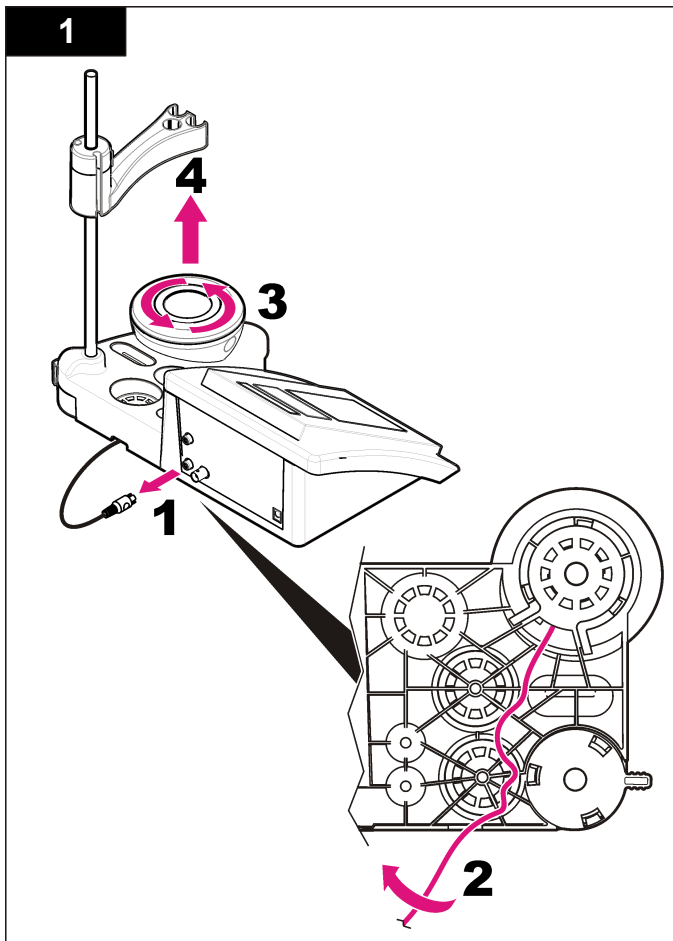
Navlhčenou utěrkou a jemným mýdlovým roztokem očistěte vnější části přístroje.

### Čištění sondy

Vyčistěte sondu podle potřeby. Více informací o čištění viz [Poruchy, jejich příčiny a odstraňování](#) na straně 124. Informace o údržbě sondy viz dokumentace sondy.

### Výměna magnetické míchačky

Pokud se magnetická míchačka nespustí, postupujte podle číselných kroků a vyměňte magnetickou míchačku.



## Poruchy, jejich příčiny a odstraňování

Viz následující tabulku uvádějící společná hlášení nebo příznaky problémů, možné příčiny a kroky vedoucí k napravě.

**Tabulka 1 Varování a chyby kalibrace**

Chyba/varování	Roztok
Asymmetry > 58 mV (Asymetrie větší než 58 mV)	Sklon mimo rozsah (přijatelné hodnoty $\pm 58$ mV). Proveďte novou kalibraci. Připojte novou sondu.
Buffer or electrode in poor conditions. (Pufř nebo elektroda ve špatném stavu.)	Vyšetřete sondu: Vyčistěte sondu (více informací viz <a href="#">Čištění sondy</a> na straně 122); zkontrolujte, že na membráně nejsou žádné vzduchové bublinky. Sklepteje sondu podobně jako teploměr; připojením jiné sondy ověřte, zda je vadná sonda nebo měřidlo.  Vyšetřete pufřový roztok: Zkontrolujte, že použitý pufř odpovídá pufřu specifikovanému v konfiguraci; zkontrolujte teplotní specifikaci v konfiguraci; použijte nový pufřový roztok.
BUFFER NOT RECOGNIZED (Pufř nerozpoznán)	Proveďte novou kalibraci.  Vyšetřete sondu: Vyčistěte sondu (více informací viz <a href="#">Čištění sondy</a> na straně 122); zkontrolujte, že na membráně nejsou žádné vzduchové bublinky. Sklepteje sondu podobně jako teploměr; připojením jiné sondy ověřte, zda je vadná sonda nebo měřidlo.
Sens. (a) < 70% (Senz. a nižší než 70 %)	Vyšetřete pufřový roztok: Zkontrolujte, že použitý pufř odpovídá pufřu specifikovanému v konfiguraci; zkontrolujte teplotní specifikaci v konfiguraci; použijte nový pufřový roztok.
UNSTABLE READING (;p hodnota) Time > 100 s (Doba t větší než 100 s)	Proveďte novou kalibraci.  Vyšetřete sondu: Vyčistěte sondu (více informací viz <a href="#">Čištění sondy</a> na straně 122); zkontrolujte, že na membráně nejsou žádné vzduchové bublinky. Sklepteje sondu podobně jako teploměr; připojením jiné sondy ověřte, zda je vadná sonda nebo měřidlo. Zkontrolujte, zda jsou membrána a diafragma řádně ponořené do vzorku.

**Tabulka 1 Varování a chyby kalibrace (pokračování)**

Chyba/varování	Roztok
Zkontrolujte teplotu. Zkontrolujte elektrodu	Zkontrolujte teplotu určenou v konfiguraci.  Vyšetřete sondu: Vyčistěte sondu (více informací viz <a href="#">Čištění sondy</a> na straně 122); zkontrolujte, že na membráně nejsou žádné vzduchové bublinky. Sklepteje sondu podobně jako teploměr; připojením jiné sondy ověřte, zda je vadná sonda nebo měřidlo.
Electrode in poor conditions. (Elektroda ve špatném stavu.)	Vyšetřete sondu: Vyčistěte sondu (více informací viz <a href="#">Čištění sondy</a> na straně 122); zkontrolujte, že na membráně nejsou žádné vzduchové bublinky. Sklepteje sondu podobně jako teploměr; připojením jiné sondy ověřte, zda je vadná sonda nebo měřidlo.
Zkontrolujte elektrodu.	
SAME BUFFERS (Stejný pufř)	Proveďte novou kalibraci.  Vyšetřete sondu: Vyčistěte sondu (více informací viz <a href="#">Čištění sondy</a> na straně 122); zkontrolujte, že na membráně nejsou žádné vzduchové bublinky. Sklepteje sondu podobně jako teploměr; připojením jiné sondy ověřte, zda je vadná sonda nebo měřidlo.  Vyšetřete pufřový roztok: Použijte nový pufřový roztok.

**Tabulka 2 Varování a chyby měření**

Chyba/varování	Roztok
pH 12,78 19 °C	Proveďte novou kalibraci
pH out of range (pH mimo rozsah)	Vyšetřete sondu: Vyčistěte sondu (více informací viz <a href="#">Čištění sondy</a> na straně 122); zkontrolujte, že na membráně nejsou žádné vzduchové bublinky. Sklepteje sondu podobně jako teploměr; připojením jiné sondy ověřte, zda je vadná sonda nebo měřidlo.
Temp out of range °C (Teplota mimo rozsah)	Vyšetřete snímač teploty.  Připojením jiné sondy ověřte, zda je problém se sondou nebo měřidlem.



**Tabulka 2 Varování a chyby měření (pokračování)**

Chyba/varování	Roztok
Time > 60 s (Doba delší než 60 s)	Zkontrolujte, zda jsou membrána a diafragma řádně ponořené do vzorku.
Time > 150 s (Doba delší než 150 s)	Vyšetřete teplotu.
Time > 300 s (Doba delší než 300 s)	Vyšetřete sondu: Vyčistěte sondu (více informací viz <a href="#">Čištění sondy</a> na straně 122); zkontrolujte, že na membráně nejsou žádné vzduchové bublinky. Skleptejte sondu podobně jako teploměr; připojením jiné sondy ověřte, zda je vadná sonda nebo měřidlo.
10,389 mg/l >>>>> 00012 00:13	Měření ISE: Naměřená hodnota je vyšší než nejvyšší standard použitý při kalibraci. Proveďte nové měření.
0,886mg/l <<<<<< 00018 00:11	Měření ISE: Naměřená hodnota je nižší než nejnižší standard použitý při kalibraci. Proveďte nové měření.

## Náhradní díly a příslušenství

**Poznámka:** Čísla produktů a položek se mohou v různých regionech prodeje lišit. Pokud potřebujete kontaktní informace, obraťte se na příslušného dodavatele nebo se podívejte na webovou stránku společnosti.

### Náhradní díly

Popis	Položka č.
Měřidlo sensION+ PH3 Lab pH s příslušenstvím, bez sondy	LPV2000.98.0002
Měřidlo sensION+ PH31 Lab pH, GLP, s příslušenstvím, bez sondy	LPV2100.98.0002
Měřidlo sensION+ MM340 Lab pH & Ion, GLP, 2 kanály, s příslušenstvím, bez sondy	LPV2200.98.0002
Měřidlo vodivosti sensION+ EC7 Lab, s příslušenstvím, bez sondy	LPV3010.98.0002

## Náhradní díly a příslušenství (pokračování)

Popis	Položka č.
Měřidlo vodivosti sensION+ EC71 Lab, GLP, s příslušenstvím, bez sondy	LPV3110.98.0002
Měřidlo sensION+ MM374, 2kanálové laboratorní měřidlo, GLP, s příslušenstvím, bez sondy	LPV4110.98.0002

### Spotřební materiál

Popis	Položka č.
Pufrový roztok pH 4,01; 125 mL	LZW9460.99
Pufrový roztok pH 7,00; 125 mL	LZW9461.98
Pufrový roztok pH 10,01; 125 mL	LZW9470.99
Pufrový roztok pH 4,01; 250 mL	LZW9463.99
Pufrový roztok pH 7,00; 250 mL	LZW9464.98
Pufrový roztok pH 10,01; 250 mL	LZW9471.99
Pufrový roztok pH 4,01; 1000 mL	LZW9466.99
Pufrový roztok pH 7,00; 1000 mL	LZW9467.98
Pufrový roztok pH 10,01; 1000 mL	LZW9472.99
Elektrolytický roztok (KCl 3M), 125 ml	LZW9510.99
Elektrolytický roztok (KCl 3M), 250 ml	LZW9500.99
Elektrolytický roztok (KCl 3M), 50 ml	LZW9509.99
Elektrolytický roztok 0,1 M, 125 ml	LZW9901.99
Enzymový roztok	2964349
Pepsinový čisticí roztok	2964349
Čisticí roztok pro elektrody	2965249
Roztok 0,1 N HCl	1481253

## Příslušenství

Popis	Položka č.
Termální tiskárna, RS232, pro stolní přístroj sensION+	LZW8201.99
Termální papír pro tiskárnu LZW8201, balík s 5 rolemi	LZW9117.99
Jehličková tiskárna, RS232, pro přístroje sensION+	LZW8200.99
Standardní papír pro tiskárnu LZW8200, balík s 10 rolemi	LZW9000.99
Páska do tiskárny LZW8200, 3 ks	LZW9001.99
Počítačový software LabCom Easy, pro sensION+ GLP, disk CD, kabel, adaptér USB	LZW8997.99
Počítačový software LabCom, pro sensION+ GLP, disk CD, kabel, adaptér USB	LZW8999.99
Kabel RS232, pro stolní přístroje sensION+	LZW9135.99
Kabel RS232 pro stolní přístroj sensION+, s adaptérem USB	LZW9135USB.99
Magnetická míchačka s držákem sondy, pro stolní přístroj sensION+ MM	LZW9319.99
3x50 ml potišťené kádinky pro kalibraci pH stolního přístroje	LZW9110.98
Držák tří snímačů, pro stolní přístroje sensION+	LZW9321.99
Držák a spona pro tři sondy	LZW9155.99
Průtočná cela z Pyrex skla	LZW9118.99
Chránič PP, uskladnění elektrod	LZW9161.99

## Standardní roztoky

### Technické pufrové roztoky (DIN 19267)

Viz [Tabulka 3](#) s hodnotami pH a ORP (mV) specifických pufrových souprav při různých teplotách.

**Tabulka 3** Hodnoty pH, ORP (mV) a teploty

Teplota		pH					mV
°C	°F						
0	32	2,01	4,01	7,12	9,52	10,30	—
10	50	2,01	4,00	7,06	9,38	10,17	245
20	68	2,00	4,00	7,02	9,26	10,06	228
<b>25</b>	<b>77</b>	<b>2,00</b>	<b>4,01</b>	<b>7,00</b>	<b>9,21</b>	<b>10,01</b>	<b>220</b>
30	86	2,00	4,01	6,99	9,16	9,96	212
40	104	2,00	4,03	6,97	9,06	9,88	195
50	122	2,00	4,06	6,97	8,99	9,82	178
60	140	2,00	4,10	6,98	8,93	9,76	160
70	158	2,01	4,16	7,00	8,88	—	—
80	176	2,01	4,22	7,04	8,83	—	—
90	194	2,01	4,30	7,09	8,79	—	—

### Pufrové roztoky (DIN 19266)

Viz [Tabulka 4](#) s hodnotami pH a ORP (mV) specifických pufrových souprav při různých teplotách.

**Tabulka 4** Hodnoty pH, ORP (mV) a teploty

Teplota		pH					mV	
°C	°F							
5	32	1,668	4,004	6,951	7,087	9,395	10,245	13,207
10	50	1,670	4,000	6,923	7,059	9,332	10,179	13,003
20	68	1,675	4,001	6,881	7,016	9,225	10,062	12,627
<b>25</b>	<b>77</b>	<b>1,679</b>	<b>4,006</b>	<b>6,865</b>	<b>7,000</b>	<b>9,180</b>	<b>10,012</b>	<b>12,454</b>

**Tabulka 4 Hodnoty pH, ORP (mV) a teploty (pokračování)**

Teplota		pH					mV	
°C	°F							
30	86	1,683	4,012	6,853	6,987	9,139	9,966	12,289
40	104	1,694	4,031	6,838	6,970	9,068	9,889	11,984
50	122	1,707	4,057	6,833	6,964	9,011	9,828	11,705
60	140	1,723	4,085	6,836	6,968	8,962	—	11,449
70	158	1,743	4,126	6,845	6,982	8,921	—	—
80	176	1,766	4,164	6,859	7,004	8,885	—	—
90	194	1,792	4,205	6,877	7,034	8,850	—	—

## Specifikationer

Specifikationerne kan ændres uden varsel.

Specifikation	Detaljer
Dimensioner	35 x 20 x 11 cm
Vægt	1.100 g
Instrumentkapsling	IP42
Strømforsyning (ekstern)	100 – 240 V, 0,4 A, 47 - 63 Hz
Målerbeskyttelsesklasse	Klasse II
Opbevaringstemperatur	-15 til +65 °C ( 5 til +149 °F)
Driftstemperatur	0 til 40 °C (41 til 104°F)
Luftfugtighed, drift	< 80 % (uden kondensering)
Opløsning	pH: 0,1/0,01/0,001, ORP: 0,1/1 mV, ISE: programmerbar, temperatur: 0,1 °C
Målefej (± 1 ciffer)	pH: ≤ 0,002, ORP: ≤ 0,2 mV, temperatur: ≤ 0,2 °C
Reproducerbarhed (± 1 cifre)	pH: ± 0,001, ORP: ± 0,1 mV, temperatur: ± 0,1 °C
Datalagring	330 resultater og sidste 9 kalibreringer
Forbindelser	2 kombineret eller indikatorprobe: BNC-stik (Imp. >10 <sup>12</sup> Ω); 2 referenceelektroder: Bananstik; A.T.C. type Pt 1000: banan- eller telefonstik magnetisk omrører: RCA-stik; 2 magnetiske omrørere: RCA-stik
Temperaturkorrektion	Manuel, Pt 1000 temperaturprobe (A.T.C.), isopotential pH-programmerbar, standardværdi 7,00
Lås af målervisning	Fortsat måling, efter stabilitet
Skærm	Flydende krystal, bagbelyst, 128 x 64 dots
Tastatur	PET med beskyttende behandling
Certificering	CE

## Generelle oplysninger

Reviderede udgaver kan findes på producentens webside.

## Oplysninger vedr. sikkerhed

### BEMÆRKNING

Producenten er ikke ansvarlig for eventuelle skader på grund af forkert anvendelse eller misbrug af dette produkt, herunder uden begrænsning direkte skader, hænderlige skader eller følgeskader, og fraskriver sig ansvaret for sådanne skader i det fulde omfang, som tillades ifølge gældende lov. Brugeren er kun ansvarlig for at identificere alvorlige risici ved anvendelsen og installere relevante mekanismer til beskyttelse af processerne i forbindelse med en eventuel fejl på udstyret.

Læs hele manualen, inden udpakning, installation eller betjening af dette udstyr. Overhold alle farehensvisninger og advarsler. Undladelse heraf kan medføre, at brugeren kommer alvorligt til skade eller beskadigelse af apparatet.

Kontroller, at den beskyttelse, som dette udstyr giver, ikke forringes. Du må ikke bruge eller installere dette udstyr på nogen anden måde end den, der er angivet i denne manual.

## Brug af sikkerhedsoplysninger

### ▲ FARE

Angiver en eventuel eller overhængende farlig situation, der vil medføre dødsfald eller alvorlige kvæstelser, hvis den ikke undgås.

### ▲ ADVARSEL

Angiver en potentiel eller umiddelbart farlig situation, som kan resultere i død eller alvorlig tilskadekomst, hvis den ikke undgås.

### ▲ FORSIGTIG

Indikerer en potentiel farlig situation, der kan resultere i mindre eller moderat tilskadekomst.

### BEMÆRKNING

Angiver en situation, der kan medføre skade på instrumentet, hvis ikke den undgås. Oplysninger, der er særligt vigtige.

## Sikkerhedsmærkater

Læs alle skilte og mærkater, som er placeret på apparatet. Person- eller instrumentskade kan opstå, hvis ikke respekteres. Hvis der er placeret et symbol på apparatet, kan det findes i brugermanualen sammen med fare- eller forsigtighedsanvisningerne.

	Hvis dette symbol findes på instrumentet, henviser det til instruktionsmanualen vedrørende drifts- og/eller sikkerhedsoplysninger.
	Elektrisk udstyr markeret med dette symbol må ikke bortskaffes i det offentlige europæiske renovationssystem efter den 12. august 2005. I overensstemmelse med europæiske lokale og nationale forordninger (EU-direktiv 2002/98/EF) skal brugere af elektrisk udstyr nu returnere gammelt eller udtjent udstyr til producenten til bortskaffelse. Dette koster ikke brugeren noget. <b>BEMÆRK:</b> Kontakt udstyrproducenten eller -leverandøren og få vejledning vedrørende aflevering af udtjent udstyr, producentleveret elektrisk tilbehør og alle andre genstande til genbrug eller korrekt bortskaffelse.

## Produktoversigt

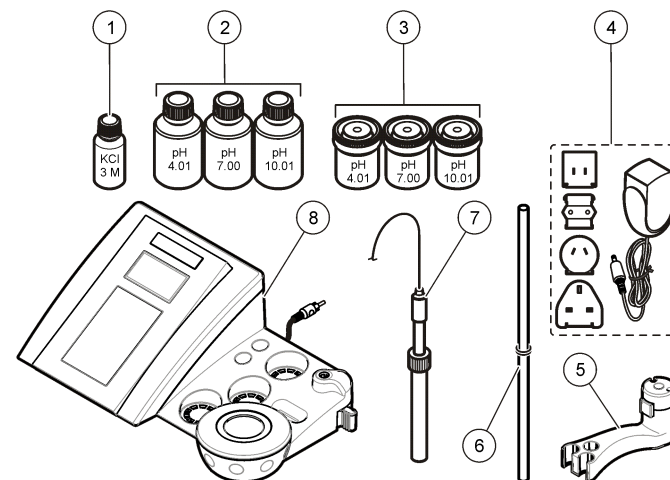
sensION™+-målerne bruges sammen med prober til at måle forskellige parametre i vand.

sensION™+ MM340-måleren har to målekanaler til at måle pH, ORP (mV) eller ISE (koncentration) med en selektiv probe. Måledata kan gemmes og overføres til en printer eller pc.

## Produktkomponenter

Se under [Figur 1](#) for at sikre, at alle komponenter er modtaget. Kontakt producenten eller en forhandler med det samme, hvis dele mangler eller er beskadigede.

Figur 1 Målekomponenter

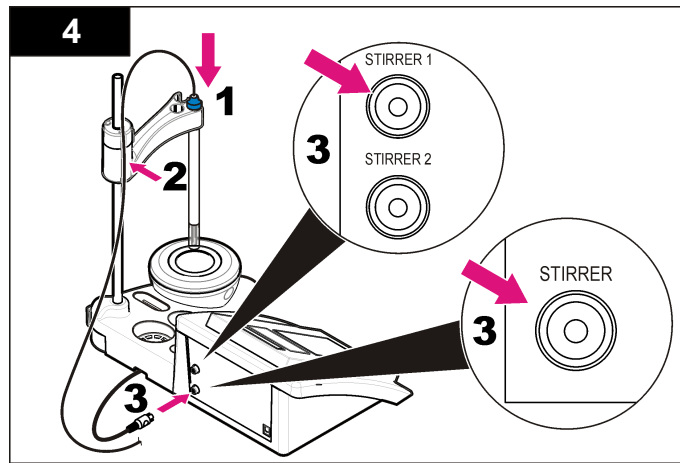
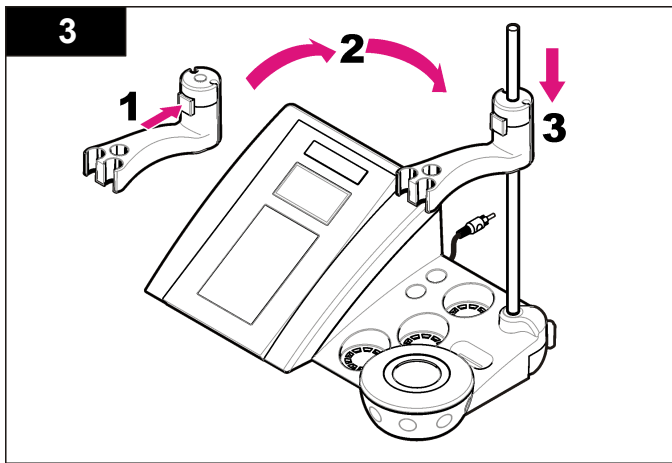
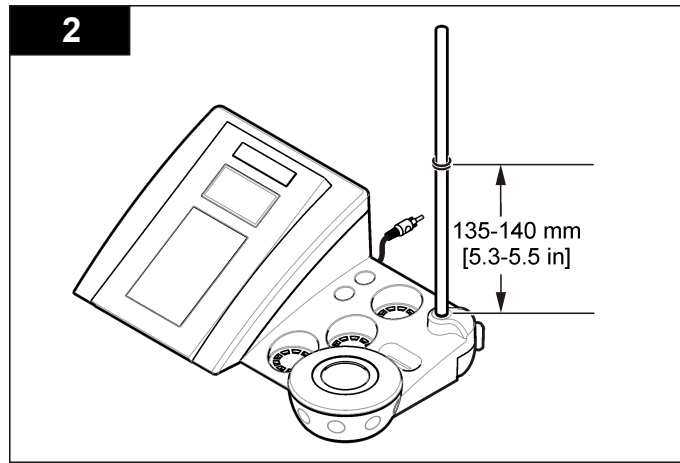
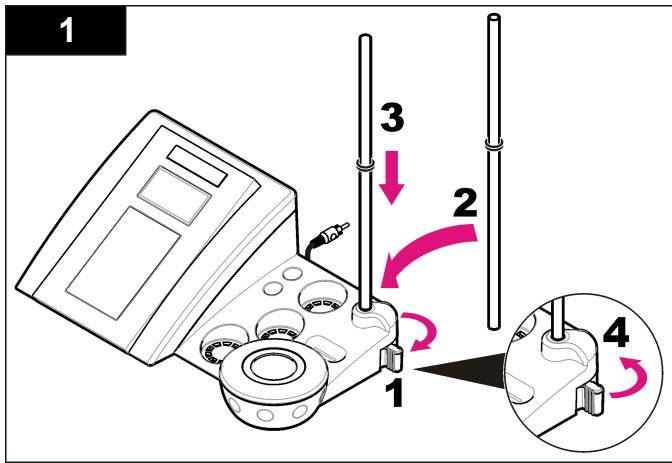


1 Elektrolyt til proben	5 Probeholder
2 Bufferopløsninger (pH 4,01; pH 7,00 og pH 10,01)	6 Stang med o-ring
3 Kalibreringsbægre (med magnetisk linje på indersiden)	7 Sensor (kun inkluderet med sæt)
4 Strømforsyning	8 Instrument

## Installation

### Samling af probeholderen

Følg de nummererede trin for at samle probeholderen og tilslutte den magnetiske omrører.



## Tilslut til vekselstrøm

**⚠ FARE**

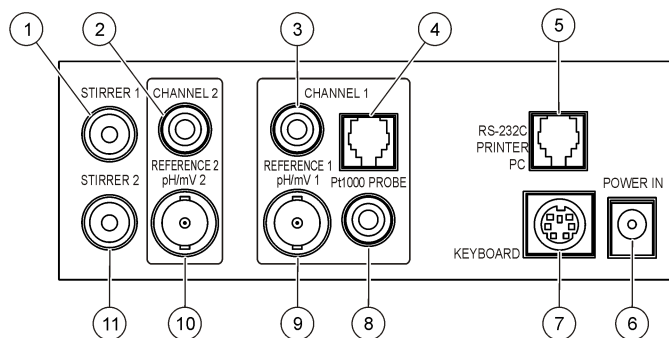


Risiko for livsfarlige elektriske stød. Hvis dette udstyr anvendes udendørs eller på steder, som kan være våde, skal der anvendes en Jordfejlsafbryder til at forbinde udstyret til dets netstrømkilde.

Instrumentet kan få vekselstrøm fra universalstrømadapteren.

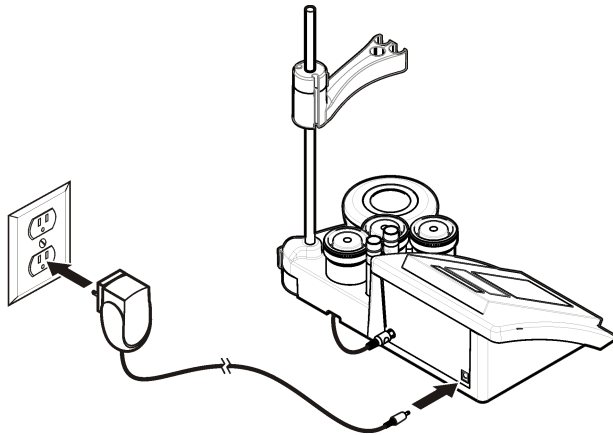
1. Vælg det rigtige adapterstik til stikkontakten fra adaptersættet.
2. Tilslut universalstrømadapteren til instrumentet (Figur 2).
3. Tilslut universalstrømadapteren til en vekselstrømsstikkontakt (Figur 3).
4. Tænd instrumentet.

Figur 2 Stikpanel



1 Stik til magnetisk omrører 1, kanal 1	7 Mini-DIN-stik til pc-tastatur
2 Stik til referenceelektrode (separerede elektroder), kanal 1	8 Stik til temperaturprobe, kanal 2
3 Stik til referenceelektrode (separerede elektroder), kanal 2	9 Stik til kombineret pH-elektrode (eller indikator), kanal 2
4 Stik til separeret temperaturprobe, kanal 2	10 Stik til kombineret pH-elektrode (eller indikator), kanal 1
5 RS-232-stik til printer eller pc	11 Stik til magnetisk omrører 2, kanal 2
6 Strømforsyning	

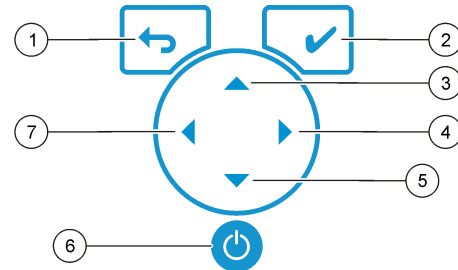
Figur 3 Vekselstrømsforbindelse



## Brugergrænseflade og navigation

### Brugergrænseflade

#### Beskrivelse af tastatur



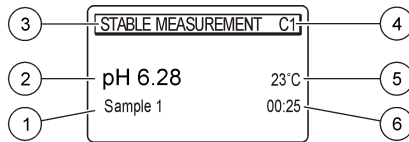
1 Tasten RETURN: Annuller eller afslut den aktuelle menuskærm til den forrige menuskærm	5 Tasten DOWN: Rul til andre indstillinger, ændr en værdi
2 Tasten MEASUREMENT: Bekræft den valgte mulighed	6 ON/OFF: Tænd og sluk måleren
3 Tasten UP: Rul til andre indstillinger, ændr en værdi	7 Tasten LEFT: Skift mellem kanal 1 og kanal 2, indtast tal og bogstaver
4 Tasten RIGHT: Skift mellem kanal 1 og kanal 2, indtast tal og bogstaver	

### Skærmbeskrivelse

Målerskærmen viser koncentration, enheder, temperatur, kalibreringsstatus, operatør-id, prøve-id, dato og klokkeslæt.



**Figur 4 Enkeltskærmsvisning**



1 Prøve-id	4 Prøvetemperatur (°C eller °F)
2 Måleenhed og -værdi (pH, ORP (mV) eller ISE)	5 Visuel måletimer
3 Måletilstand eller klokkeslæt og dato	

## Navigation

Brug for at vende tilbage til den forrige menu. Brug måletasten for at udføre en prøvemåling eller bekræfte valgene. Brug piletasterne til at rulle til andre indstillinger eller ændre en værdi. Brug piletasterne og for at ændre parametrene. Se hver opgave for særlige instruktioner.

## Opstart

### Tænd og sluk for måleren

#### BEMÆRKNING

Sørg for, at prøben er tilsluttet måleren, før du tænder for måleren.

Tryk på for at tænde eller slukke måleren. Hvis måleren ikke tændes, skal du kontrollere, at vekselstrømsforsyningen er tilsluttet korrekt til en stikkontakt.

### Ændring af sprog

Skærmsproget vælges, når måleren tændes for første gang.

1. Brug eller til at vælge et sprog på listen.

2. Bekræft ved at trykke . Målingskærmen viser DATA OUTPUT.
3. Vælg Deactivated (Deaktiveret), hvis der er ikke er tilsluttet en printer eller en pc, og bekræft. Se [Vælg dataoutput](#) på side 136 for at få yderligere oplysninger om dataoutput.

## Standardbetjening

### Kalibrering

#### ⚠ ADVARSEL

Risiko for at blive udsat for kemiske stoffer Overhold laboratoriets sikkerhedsprocedurer, og bær alt det personlige beskyttelsesudstyr, der er nødvendigt for at beskytte dig mod de kemikalier, du bruger. Se sikkerhedsdatabladet (MSDS) for sikkerhedsprotokoller.

### Kalibreringsindstillinger

Kalibreringsindstillingerne indeholder indstillingerne Calibration type (Kalibreringstype), Calibration frequency (Kalibreringsfrekvens) og Display (Vis).

1. Brug eller på hovedmenuen til at vælge CALIBRATION (Kalibrering). Bekræft.
2. Brug til at åbne kalibreringsmenuen.
3. Brug eller til at vælge følgende muligheder:

Funktion	Beskrivelse
<b>Stability C.</b> <b>(Stabilitetskriterium):</b>	Criterion by stability (Kriterium efter stabilitet) - vælg Fast (Hurtig), Standard eller Strict (Streng).
<b>Calibration type</b> <b>(Kalibreringstype)</b>	Calibration type (Kalibreringstype) - vælg Technical buffers (Tekniske buffere), DIN19266 Buffers (DIN19266-buffere), User Buffers (Brugerbuffere), To a X value (Til en X-værdi), data introduction (dataintroduktion) eller Theoretical calibration (Teoretisk kalibrering). Du kan finde flere oplysninger under <a href="#">Calibration types</a> .

Funktion	Beskrivelse
<b>Cal. frequency (Kalibreringshyppighed)</b>	Calibration reminder (Kalibreringspåmindelse) - kan angives til mellem 0 - 7 dage (standard er hver dag). Skærmen viser den resterende tid til den nye kalibrering. Du kan finde flere oplysninger under <a href="#">Indstil kalibreringspåmindelsen</a> på side 135.
<b>Display mV (Vis mV)</b>	Display mV (Vis mV) - vælg YES (Ja) eller NO (Nej) for at vise mV.
<b>Standard 220 mV</b>	Standard 220 mV - kalibrer med en 220 mV-standardopløsning
<b>To a X value (Til en X-værdi)</b>	To a X value (Til en X-værdi) - brug en specifik standardopløsning. Juster værdien under kalibreringen.
<b>Data introduction (Dataintroduktion)</b>	Data introduction Compensation (Dataintroduktionkompensation) - angiv kompensationsværdien
<b>Factory adjust (Fabriksjustering)</b>	Factory adjust (Fabriksjustering) - angiv kompensationsværdien

### Calibration types (Kalibreringstyper)

Du kan vælge forskellige kalibreringstyper.

1. Brug **▲** eller **▼** på hovedmenuen til at vælge CALIBRATION (Kalibrering). Bekræft.
2. Brug **▲** til at åbne kalibreringsmenuen.
3. Brug **▲** eller **▼** til at vælge kalibreringstype.

Funktion	Beskrivelse
<b>Technical buffers (Tekniske buffere)</b>	pH 2,00; 4,01; 7,00; 9,21 og 10,01 ved 25 °C (77 °F)
<b>DIN19266 Buffers (DIN19266-buffere)</b>	pH 1,679; 4,006; 6,865; 7,000; 9,180; 10,012 og 12,454

Funktion	Beskrivelse
<b>User Buffers (Brugerbuffere)</b>	Vælges, når tekniske eller DIN19266-buffere ikke bruges. Se <a href="#">Tekniske bufferopløsninger (DIN 19267)</a> på side 143 for pH-værdier af bestemte buffersæt med forskellige temperaturer.
<b>Calibration to a X value (Kalibrering til en X-værdi)</b>	Bruges til manuelt at justere enhver skalaværdi af den målte pH.
<b>Data introduction (Dataintroduktion)</b>	Manuel angivelse af sensorkonstant.
<b>Theoretical calibration (Teoretisk kalibrering)</b>	Sensorens kalibreringsdata erstattes med 25 °C (77 °F).


### Kalibreringsprocedure

Denne procedure er til generel brug ved flydende kalibreringsopløsninger. Se de dokumenter, som leveres sammen med hver probe, for at få yderligere oplysninger.

**BEMÆRK:** Opløsninger skal altid omrøres under kalibreringer. Se [Ændring af omrøringsindstillingerne på side 137](#) for at få flere oplysninger om omrøringsindstillingerne.

1. Hæld bufferne eller kalibreringsopløsningerne i de mærkede kalibreringsbægre.
2. Brug **▲** eller **▼** og **◀** og **▶** på hovedmenuen til at vælge parameteren CALIBRATION (Kalibrering). Bekræft.
3. Vælg operator-ID (1 til 10), hvis nødvendigt, og bekræft.
4. Skyl proben med afioniseret vand, og læg den i det første kalibreringsbæger. Sørg for, at der ikke er luftbobler i membranen.
5. Tryk på **✓** for at starte kalibrering.
6. Tryk på **✓** for at måle den første kalibreringsopløsning. Den næste kalibreringsopløsning vises.
7. Skyl proben med afioniseret vand, og sæt den i det andet kalibreringsbæger. Sørg for, at der ikke er luftbobler i membranen.
8. Tryk på **✓** for at måle den anden kalibreringsopløsning. Den næste kalibreringsopløsning vises.



9. Skyl proben med afioniseret vand, og sæt den i det tredje kalibreringsbæger. Sørg for, at der ikke er luftbobler i membranen.

10. Tryk på  for at måle den tredje kalibreringsopløsning. Når kalibreringen er god, viser displayet Calibration OK (Kalibrering OK) et kort øjeblik og skifter derefter til hovedmenuen.


**BEMÆRK:** Når en printer er tilsluttet, åbnes udskriftsmenuen, og du kan udskrive resultatet.

## Se kalibreringsdata

Data fra den sidste kalibrering kan vises.

1. Brug  eller  på hovedmenuen til at vælge DATA LOGGER. Bekræft.

2. Vælg Display data (Vis data).



3. Vælg Calibration data (Kalibreringsdata), og bekræft med . De sidste kalibreringsdata vises.

- pH - hældnings- og offsetværdierne vises skiftevis med afvigelsen (i %) og kalibreringstemperaturen.
- ORP - den målte mV-værdi og kalibreringstemperatur vises.
- Ledeevne - cellekonstanten og kalibreringstemperaturen for hver standard vises.



## Indstil kalibreringspåmindelsen




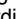
Du kan indstille kalibreringspåmindelsen mellem 0 og 23 timer eller 1 - 7 dage (standard er 1 dag). Skærmen viser den resterende tid til den nye kalibrering.


**BEMÆRK:** Hvis du vælger 0 dage, deaktiveres kalibreringspåmindelsen.

1. Brug  eller  på hovedmenuen til at vælge CALIBRATION (Kalibrering). Bekræft.

2. Brug  til at åbne kalibreringsmenuen.

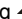
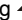

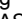
3. Brug  eller  til at vælge Cal. frequency (Kalibreringshyppighed), og bekræft.

4. Brug  og  til at gå til næste trin, og brug  eller  til at ændre en værdi. Bekræft.

Tryk på  for at starte kalibreringen.


## Prøvmålinger

Hver sensor har sine egne forberedelsestrin og procedurer for måling af prøver.

1. Brug  eller  og  og  på hovedmenuen til at vælge parameteren MEASURE (Måling). Bekræft.

2. Brug  til at ændre følgende indstillinger. Bekræft hver indtastning.

Mulighed	Beskrivelse
<b>Opløsning</b>	Vælg opløsningen: 1, 0,1, 0,01 (standard) eller 0,001
<b>Måling</b>	Stability (Stabilitet) - Vælg By stability Criterion (Efter stabilitetskriterium): Fast (Hurtig) (variation < 0,02 pH på 6 sek.), Standard (variation < 0,01 pH på 6 sek.) eller Strict (Streng) (variation < 0,002 pH på 6 sek.). In continuous (Fortsat) - angiv tidsintervallet for In continuous Acquis. interval (Fortsat anskaffelsesinterval) datalagring eller udskrivning af data). By time (Efter tid) - indtast tidsintervallet for datalagring eller udskrivning af data.
<b>Display mV (Vis mV)</b>	Display mV (Vis mV) - vælg YES (Ja) eller NO (Nej) for at vise mV.
<b>Limits (Grænser)</b>	Limits (Grænser) - vælg YES (Ja) eller NO (Nej). YES: Indtast de øvre og nedre grænser. Der lyder en advarsel, når målingen er uden for grænsen. Rapportoutputtet viser et A ved siden af den målte værdi, hvis målingen var uden for grænsen.
<b>Isopotential</b>	Isopotential - ændr den isopotentielle pH-værdi i dataintroduktion. Vælg Calculate (Beregn) for at kalibrere proben igen.

3. Tryk på  for at starte målingen.

**BEMÆRK:** Hvis målingen ikke er stabiliseret efter 120 sekunder, skifter måleren automatisk til tilstanden for fortsat måling.

## Udvidet betjening

### Redigerer måleenhederne

Måleenhederne kan ændres individuelt for hver kanal.

1. Brug **▲** eller **▼** på hovedmenuen til at vælge SYSTEM. Bekræft.
2. Brug **▲** eller **▼** til at vælge måleenheder, og bekræft.
3. Vælg kanal 1 eller kanal 2, og bekræft.
4. Vælg ORP (mV), pH eller ISE, og bekræft.

## Brug af prøve-id

Prøve-id'et anvendes til at associere læsninger med en bestemt prøveplacering. Hvis det tildeles, vil gemte data inkludere dette id.

1. Brug **▲** eller **▼** på hovedmenuen til at vælge SYSTEM. Bekræft.
2. Brug **▲** eller **▼** til at vælge Sample ID (Prøve-id), og bekræft.
3. Brug **▲** eller **▼** til at vælge

Mulighed	Beskrivelse
<b>Automatisk</b>	Det næste tal i rækken føjes automatisk til hver prøve.
<b>Manuel</b>	Der kræves et tastatur eller en stregkodelæser for at angive navnet på prøve-id'et, før målingen kan foretages (maks. 15 tegn).

## Vælg dataoutputtet

Data kan lagres eller sendes til en printer eller en pc.

1. Brug **▲** eller **▼** på hovedmenuen til at vælge SYSTEM. Bekræft.
2. Brug **▲** eller **▼** til at vælge Data Output (Dataoutput), og bekræft.
3. Brug **▲** eller **▼** til at vælge

Mulighed	Beskrivelse
<b>Deactivated (Deaktiveret)</b>	Vælg Deactivated (Deaktiveret), hvis der er ikke er tilsluttet en printer eller en pc.

Mulighed	Beskrivelse
<b>For Printer (Til printer)</b>	Vælg Dot matrix-printer eller termisk printer.
<b>For Computer (Til computer)</b>	Vælg Terminal, LabCom eller LabCom Easy. LabCom-softwaren styrer mange moduler, pH- og ledeevnemålere, automatiske måleglas, prøveudtagere osv. fra en computer. LabCom Easy-softwaren får pH- og ledeevnedata fra en pc.

## Ændring af dato og tid

Dato og klokkeslæt kan ændres i menuen Date/Time (Dato/Tid).

1. Brug **▲** eller **▼** på hovedmenuen til at vælge SYSTEM. Bekræft.
2. Brug **▲** eller **▼** til at vælge dato og tid, og bekræft.
3. Brug **◀** og **▶** til at gå til næste trin, og brug **▲** eller **▼** til at ændre en værdi. Bekræft.  
Den aktuelle dato og det aktuelle klokkeslæt vises på skærmen.

## Juster skærmmkontrasten

1. Brug **▲** eller **▼** på hovedmenuen til at vælge SYSTEM. Bekræft.
2. Brug **▲** eller **▼** til at vælge Display contrast (Kontrast skærm), og bekræft.
3. Brug **◀** og **▶** til at justere skærmens kontrast, og bekræft.

## Justering af temperaturen

Temperaturmålingen kan justeres til 25 °C (77 °F) og/eller 85 °C (185 °F) for at øge nøjagtigheden.

1. Læg proben og et referencetermometer i en beholder med vand ved ca. 25 °C, og lad temperaturen stabilisere sig.
2. Sammenlign den temperatur, som måleren har aflæst, med den temperatur, som referencetermometeret har aflæst. Forskellen er justeringsværdien for måleren.

Eksempel: Referencetermometer: 24,5 °C; måler: 24,3 °C.  
Justeringsværdi: 0,2 °C.

3. Angiv justeringsværdien for 25 °C målingen:
  - a. Brug ▲ eller ▼ på hovedmenuen til at vælge SYSTEM. Bekræft.
  - b. Brug ▲ eller ▼ til at vælge Readjust temp. (Genjuster temperatur), og bekræft.
  - c. Vælg kanal 1 eller kanal 2, og bekræft. Temperaturen for kanal 1 måles af ledeevnecellen, og kanal 2 måles af pH-proben. Hvis der ikke er tilsluttet en ledeevnecelle, skal du selv indtaste temperaturværdien, eller den temperatur, der er målt i kanal 2, kan anvendes i måleren.
  - d. Brug ▲ eller ▼ til at vælge 25 °C, og bekræft.
  - e. Brug piletasterne til at angive justeringsværdien for 25 °C. Bekræft.
4. Læg proben og et referencetermometer i en beholder med vand ved ca. 85 °C, og lad temperaturen stabilisere sig.
5. Sammenlign målerens temperatur med referencetermometerets temperatur. Forskellen er justeringsværdien for måleren.
  - a. Brug ▲ eller ▼ til at vælge 85 °C, og bekræft.
  - b. Brug piletasterne til at angive justeringsværdien for 85 °C. Bekræft.
  - c. Vælg Save changes (Gem ændringer), og bekræft.

## Ændring af omrøringsindstillingerne

Der kan tændes for den magnetiske omrører, og omrøringshastigheden kan ændres på menuen Stirring (Omrører).

1. Brug ▲ eller ▼ på hovedmenuen til at vælge SYSTEM. Bekræft.
2. Brug ▲ eller ▼ til at vælge Stirring (Omrører), og bekræft.
3. Tryk på ✓ for at tænde eller slukke for omrøreren.
4. Når der er tændt for omrøreren, kan du bruge ▲ eller ▼ til at ændre omrøringshastigheden i %.

**BEMÆRK:** Brug ▲ eller ▼ til at ændre omrøringshastigheden under kalibrering og under en måling.

## Tænd eller sluk for omrøreren

Omrører 1 arbejder med kanal 1 og 2 (Omrører 1). En anden omrører kan tilsluttes kanal 2 (Omrører 2). Se følgende trin for at aktivere omrører 2.

1. Brug ▲ eller ▼ på hovedmenuen til at vælge SYSTEM. Bekræft ved at trykke ✓.
2. Brug ▲ eller ▼ for at vælge Stirrer N.2 (Omrører nr. 2), og bekræft med ✓.
3. Brug ▲ eller ▼ til at vælge YES (JA) for at tænde for omrører 2.  
**BEMÆRK:** Vælg NO (NEJ) for at slukke for omrører 2.

## Ændring af temperaturenhederne

Temperaturenhederne kan ændre til Celsius eller Fahrenheit.

1. Brug ▲ eller ▼ på hovedmenuen til at vælge SYSTEM. Bekræft.
2. Brug ▲ eller ▼ til at vælge temperaturenheder, og bekræft.
3. Brug ▲ eller ▼ til at vælge mellem Celsius eller Fahrenheit, og bekræft.

## Datalogger

### Vis data

Display data log (Vis datalog) indeholder Measurement data (Måledata), Electrode report (Elektroderapport) og Calibration data (Kalibreringsdata). De gemte data kan sendes til en printer eller en pc. Når dataloggen er fuld (400 datapunkter), slettes det ældste datapunkt, når der tilføjes et nyt datapunkt.

1. Brug ◀ og ▶ til at vælge kanal 1 eller 2, og bekræft.
2. Brug ▲ eller ▼ på hovedmenuen til at vælge SYSTEM. Bekræft.
3. Brug ▲ eller ▼ til at vælge DATA LOGGER, og bekræft.
4. Brug ▲ eller ▼ til at vælge Display data (Vis data), og bekræft.

## 5. Brug ▲ eller ▼ til at vælge

Mulighed	Beskrivelse
<b>Measurement data (Måledata)</b>	Measurement data (Måledata) - gemmer automatisk hver gang en prøve måles
<b>Electrode report (Elektroderapport)</b>	Electrode report (Elektroderapport) - gemmer automatisk elektrodehistorikken og målebetingelserne
<b>Calibration data (Kalibreringsdata)</b>	Calibration data (Kalibreringsdata) - gemmer automatisk den aktuelle kalibrering

## Slette data

Hele måledata- eller elektroderapportloggen kan slettes for at fjerne data, som allerede er blevet sendt til en printer eller pc.

1. Brug ▲ eller ▼ på hovedmenuen til at vælge SYSTEM. Bekræft.
2. Brug ▲ eller ▼ til at vælge DATA LOGGER, og bekræft.
3. Brug ▲ eller ▼ til at vælge Erase (Slet), og bekræft.
4. Brug ▲ eller ▼ til at vælge Measurement data (Måledata) eller Electrode report (Elektroderapport), og bekræft. Bekræft igen for at slette data.  
Hele loggen slettes på én gang.

## Send data til en printer eller en computer

### BEMÆRKNING

Dataoutputtet (printer eller pc) skal vælges først, så menuen Print er tilgængelig (se [Vælg dataoutputtet](#) på side 136).

**BEMÆRK:** Se [Rapportoutput](#) på side 138 for at vælge rapportoutputtypen.

1. Brug ▲ eller ▼ på hovedmenuen til at vælge SYSTEM. Bekræft.
2. Brug ▲ eller ▼ til at vælge DATA LOGGER, og bekræft.
3. Brug ▲ eller ▼ til at vælge Print, og bekræft. Vælg en af følgende muligheder, og bekræft med ✓ for at udskrive data: Measurement data (Måledata), Electrode data (Elektrodedata), Calibration data

(Kalibreringsdata), Calibration report (Kalibreringsrapport) eller Instrument condit (Instrumenttilstand).

## Rapportoutput

### BEMÆRKNING

Dataoutputtet (printer eller pc) skal vælges først, så menuen Type of report (Rapporttype) er tilgængelig (se [Vælg dataoutputtet](#) på side 136).

Du kan vælge forskellige outputtyper for rapporten, når en printer eller en pc er tilsluttet.

1. Brug ▲ eller ▼ på hovedmenuen til at vælge SYSTEM. Bekræft.
2. Brug ▲ eller ▼ til at vælge Type of report (Rapporttype), og bekræft.
3. Når en printer eller en computer og terminal er tilsluttet, kan du bruge ▲ eller ▼ til at vælge

Mulighed	Beskrivelse
<b>Reduced (Reduceret)</b>	Vælg Several (Flere) eller One sample (En prøve) som outputformat
<b>Standard</b>	Vælg Several (Flere) eller One sample (En prøve) som outputformat. Vælg flere: <b>Users</b> (Brugere): Brugernavnet vises på den udskrevne rapport (17 tegn). <b>Header</b> (Overskrift): Firmanavnet kan tilføjes som en overskrift (40 tegn) og vises på den udskrevne rapport. <b>Identify sensor</b> (Identifier sensor): Sensormodellen og sensorens serienummer kan tilføjes og vises på den udskrevne rapport.
<b>GLP</b>	Vælg Several (Flere) eller One sample (En prøve) som outputformat. Vælg flere: <b>Users</b> (Brugere): Brugernavnet vises på den udskrevne rapport (17 tegn). <b>Header</b> (Overskrift): Firmanavnet kan tilføjes som en overskrift (40 tegn) og vises på den udskrevne rapport. <b>Identify sensor</b> (Identifier sensor): Sensormodellen og sensorens serienummer kan tilføjes og vises på den udskrevne rapport.

4. Når en computer er tilsluttet, og LabCom Easy (se [Vælg dataoutputtet](#) på side 136 for at få flere oplysninger) er valgt, skal du bruge ▲ eller ▼ for at vælge

Mulighed	Beskrivelse
Users (Brugere)	Brugernavnet vises på den udskrevne rapport (17 tegn).
Identify sensor (Identificer sensor)	Sensormodellen og sensorens serienummer kan tilføjes og vises på den udskrevne rapport.

## Vedligeholdelse

### ▲ ADVARSEL

Flere risici Du må ikke skille instrumentet ad ved vedligeholdelse eller service. Kontakt producenten, hvis de interne komponenter skal rengøres eller repareres.

### ▲ FORSIGTIG

Risiko for personskade. Kun kvalificeret personale må udføre de opgaver, som er beskrevet i dette afsnit i brugervejledningen.

## Rengør instrumentet

### BEMÆRKNING

Brug aldrig rengøringsmidler som f.eks. terpentin, acetone eller lignende produkter til at rengøre instrumentet, herunder displayet og tilbehøret.

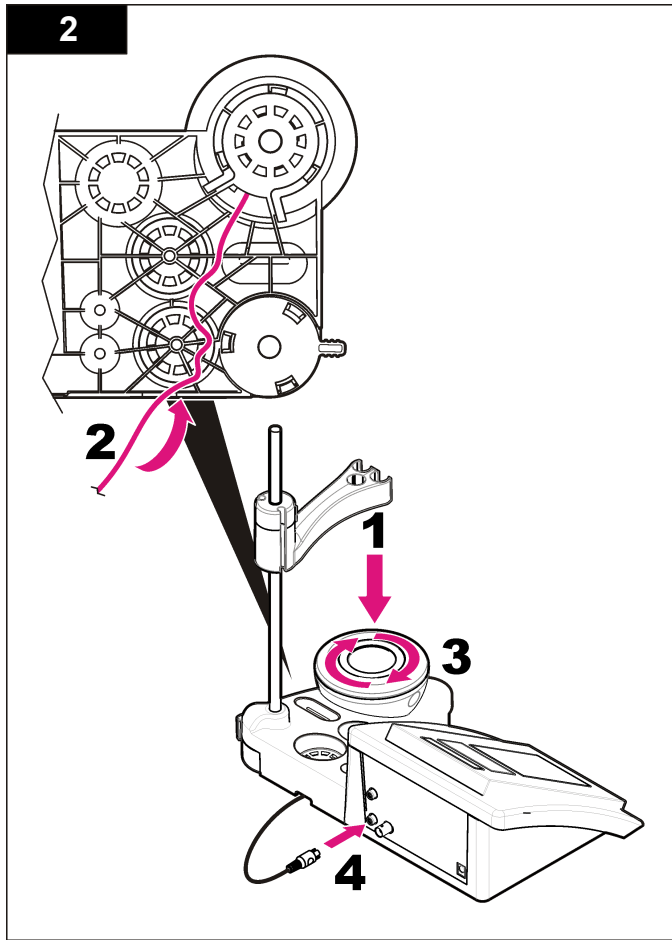
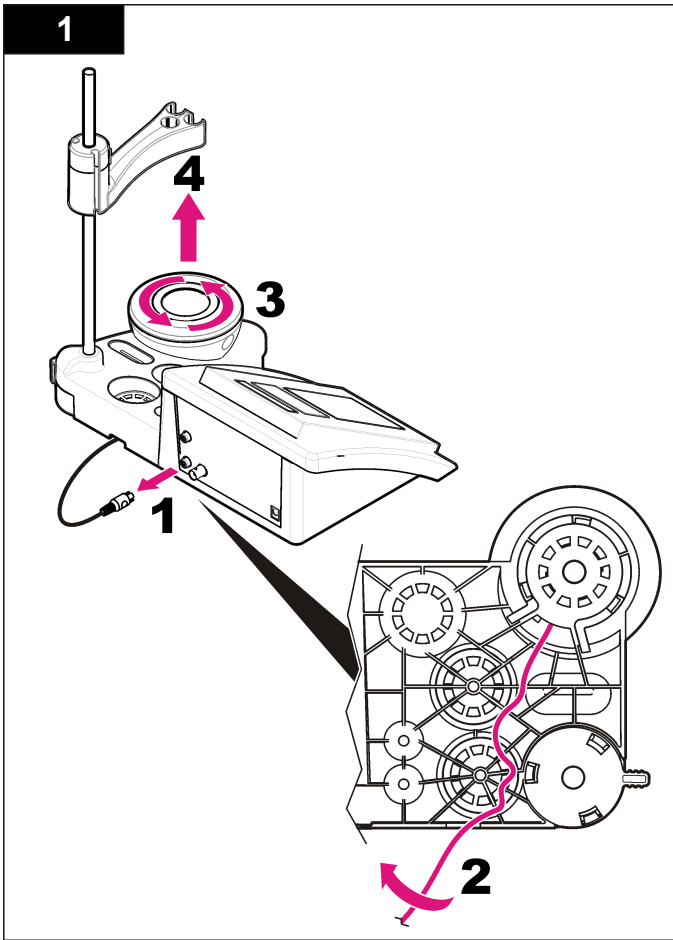
Rengør instrumentets ydre med en fugtig klud og en mild sæbeopløsning.

## Rengør proben

Rengør proben efter behov. Se [Fejlsøgning](#) på side 141 for at få yderligere oplysninger om rengøring. Se probedokumentationen for at få oplysninger om probevedligeholdelsen.

## Udskiftning af den magnetiske omrører

Hvis den magnetiske omrører ikke starter, skal du følge de nummererede trin for at udskifte den magnetiske omrører.





## Fejlsøgning

I følgende tabel vises almindelige fejlmeddelelser og -symptomer, mulige årsager og udbedrende handlinger.

**Tabel 1 Kalibreringsadvarsler og -fejl**

Fejl/Advarsel	Opløsning
Asymmetry > 58 mV (Asymmetri > 58 mV)	Hældning uden for område (accepterede værdier: $\pm 58$ mV). Kalibrer igen. Tilslut en ny probe.
Buffer or electrode in poor conditions. (Buffer eller elektrode i dårlig stand.)	Undersøg proben: Rengør proben (se <a href="#">Rengør proben</a> på side 139 for at få yderligere oplysninger). Sørg for, at der ikke er luftbobler i membranen. Ryst proben som et termometer. Tilslut en anden probe for at afgøre, om problemet skyldes proben eller måleren.  Undersøg bufferopløsningen: Sørg for, at den buffer, der bruges, passer med den buffer, der er angivet i konfigurationen. Kontroller temperaturspecifikationen i konfigurationen. Brug en ny bufferopløsning.
BUFFER NOT RECOGNIZED (BUFFER GENKENDES IKKE)	Kalibrer igen.  Undersøg proben: Rengør proben (se <a href="#">Rengør proben</a> på side 139 for at få yderligere oplysninger). Sørg for, at der ikke er luftbobler i membranen. Ryst proben som et termometer. Tilslut en anden probe for at afgøre, om problemet skyldes proben eller måleren.
Sens. (a) < 70 %	Undersøg bufferopløsningen: Sørg for, at den buffer, der bruges, passer med den buffer, der er angivet i konfigurationen. Kontroller temperaturspecifikationen i konfigurationen. Brug en ny bufferopløsning.
UNSTABLE READING (USTABIL AFLÆSNING) Time t> 100 s (Tid t> 100 s)	Kalibrer igen.  Undersøg proben: Rengør proben (se <a href="#">Rengør proben</a> på side 139 for at få yderligere oplysninger). Sørg for, at der ikke er luftbobler i membranen. Ryst proben som et termometer. Tilslut en anden probe for at afgøre, om problemet skyldes proben eller måleren.  Sørg for, at membranen og diafragmaen er korrekt nedsænket i prøven.

**Tabel 1 Kalibreringsadvarsler og -fejl (fortsat)**

Fejl/Advarsel	Opløsning
Check temperature. (Tjek temperaturen)	Vær sikker på temperaturspecifikationen i konfigurationen.
Check electrode (Tjek elektroden)	Undersøg proben: Rengør proben (se <a href="#">Rengør proben</a> på side 139 for at få yderligere oplysninger). Sørg for, at der ikke er luftbobler i membranen. Ryst proben som et termometer. Tilslut en anden probe for at afgøre, om problemet skyldes proben eller måleren.
Electrode in poor conditions. (Elektrode i dårlig stand.)	Undersøg proben: Rengør proben (se <a href="#">Rengør proben</a> på side 139 for at få yderligere oplysninger). Sørg for, at der ikke er luftbobler i membranen. Ryst proben som et termometer. Tilslut en anden probe for at afgøre, om problemet skyldes proben eller måleren.
Check the electrode (Tjek elektroden)	
SAME BUFFERS (SAMME BUFFERE)	Kalibrer igen.  Undersøg proben: Rengør proben (se <a href="#">Rengør proben</a> på side 139 for at få yderligere oplysninger). Sørg for, at der ikke er luftbobler i membranen. Ryst proben som et termometer. Tilslut en anden probe for at afgøre, om problemet skyldes proben eller måleren.  Undersøg bufferopløsningen: Brug en ny bufferopløsning.

**Tabel 2 Måleadvarsler og -fejl**

Fejl/Advarsel	Opløsning
pH 12,78 19 °C	Kalibrer igen
pH out of range (pH uden for område)	Undersøg proben: Rengør proben (se <a href="#">Rengør proben</a> på side 139 for at få yderligere oplysninger). Sørg for, at der ikke er luftbobler i membranen. Ryst proben som et termometer. Tilslut en anden probe for at afgøre, om problemet skyldes proben eller måleren.
Temp out of range °C (Temperatur uden for område °C)	Undersøg temperatursensoren.  Tilslut en anden probe for at afgøre, om problemet skyldes proben eller måleren.

**Tabel 2 Måleadværser og -fejl (fortsat)**

Fejl/Advarsel	Opløsning
Time > 60 s (Tid > 60 s)	Sørg for, at membranen og diafragmaen er korrekt nedsænket i prøven.
Time > 150 s (Tid > 150 s)	Examine the temperature. (Undersøg temperaturen)
Time > 300 s (Tid > 300 s)	Undersøg proben: Rengør proben (se <a href="#">Rengør proben</a> på side 139 for at få yderligere oplysninger). Sørg for, at der ikke er luftbobler i membranen. Ryst proben som et termometer. Tilslut en anden probe for at afgøre, om problemet skyldes proben eller måleren.
10.389mg/L >>>>> 00012 00:13	ISE-måling: Den målte værdi er højere end den højeste standard, der bruges i kalibrering. Mål igen.
0,886mg/L <<<<<< 00018 00:11	ISE-måling: Den målte værdi er mindre end den mindste standard, der bruges i kalibrering. Mål igen.

## Reserve dele og tilbehør

**BEMÆRK:** Produkt- og varenumre kan variere i visse salgsregioner. Kontakt den relevante distributør, eller se virksomhedens webseite for kontaktinformation.

### Reserve dele

Beskrivelse	Varenr.
sensION+ PH3 Lab pH-måler med ekstraudstyr, uden sensor	LPV2000.98.0002
sensION+ PH31 Lab pH-måler, GLP, med ekstraudstyr, uden sensor	LPV2100.98.0002
sensION+ MM340 Lab pH- og ion-måler, GLP, 2 kanaler, med ekstraudstyr, uden sensor	LPV2200.98.0002
sensION+ EC7 Lab-ledningsevne måler, med ekstraudstyr, uden sensor	LPV3010.98.0002

## Reserve dele og tilbehør (fortsat)

Beskrivelse	Varenr.
sensION+ EC71 Lab-ledningsevne måler, GLP, med ekstraudstyr, uden sensor	LPV3110.98.0002
sensION+ MM374, Lab-måler med 2 kanaler, GLP, ekstraudstyr, uden sensorer	LPV4110.98.0002

### Forbrugsprodukter

Beskrivelse	Varenr.
Bufferopløsning for pH 4,01, 125 mL	LZW9460.99
Bufferopløsning for pH 7,00, 125 mL	LZW9461.98
Bufferopløsning for pH 10,01, 125 mL	LZW9470.99
Bufferopløsning for pH 4,01, 250 mL	LZW9463.99
Bufferopløsning for pH 7,00, 250 mL	LZW9464.98
Bufferopløsning for pH 10,01, 250 mL	LZW9471.99
Bufferopløsning for pH 4,01, 1000 mL	LZW9466.99
Bufferopløsning for pH 7,00, 1000 mL	LZW9467.98
Bufferopløsning for pH 10,01, 1000 mL	LZW9472.99
Elektrolytisk opløsning (KCl 3M), 125 mL	LZW9510.99
Elektrolytisk opløsning (KCl 3M), 250 mL	LZW9500.99
Elektrolytisk opløsning (KCl 3M), 50 mL	LZW9509.99
Elektrolytisk opløsning 0,1 M, 125 mL	LZW9901.99
Enzymopløsning	2964349
Pepsin-renseopløsning	2964349
Elektrode-renseopløsning	2965249
0,1 N HCl-opløsning	1481253

## Tilbehør

Beskrivelse	Varenr.
Termisk printer, RS232, til sensION+ benchtop	LZW8201.99
Termisk papir til printer LZW8201, pose med 5 ruller	LZW9117.99
Dot-impact-printer, RS232, til sensION+-instrumenter	LZW8200.99
Standardpapir til printer LZW8200, pose med 10 ruller	LZW9000.99
Bånd til printer LZW8200, 3 enheder	LZW9001.99
LabCom Easy pc-software, til sensION+ GLP, CD, kabel, USB-adapter	LZW8997.99
LabCom pc-software, til sensION+ GLP, CD, kabel, USB-adapter	LZW8999.99
RS232-kabel, til sensION+ benchtop-instrumenter	LZW9135.99
RS232-kabel til sensION+ benchtop, med USB-adapter	LZW9135USB.99
Magnetisk omrører med sensorholder, til sensION+ MM benchtop	LZW9319.99
3 x 50 mL påtrykte bægre til benchtop pH-kalibrering	LZW9110.98
Tre-sensorholder, til sensION+ benchtop-instrumenter	LZW9321.99
Holder og klemme til tre sensorer	LZW9155.99
Pyrex-glaskammer, uafbrudte flow-målinger	LZW9118.99
PP-beskytter, elektrodeopbevaring	LZW9161.99

## Standardopløsninger

### Tekniske bufferopløsninger (DIN 19267)

Se [Tabel 3](#) pH- og ORP (mV) værdier af bestemte buffersæt med forskellige temperaturer.

**Tabel 3 pH, ORP (mV) og temperaturværdier**

Temperatur		pH					mV
°C	°F						
0	32	2,01	4,01	7,12	9,52	10,30	—
10	50	2,01	4,00	7,06	9,38	10,17	245
20	68	2,00	4,00	7,02	9,26	10,06	228
<b>25</b>	<b>77</b>	<b>2,00</b>	<b>4,01</b>	<b>7,00</b>	<b>9,21</b>	<b>10,01</b>	<b>220</b>
30	86	2,00	4,01	6,99	9,16	9,96	212
40	104	2,00	4,03	6,97	9,06	9,88	195
50	122	2,00	4,06	6,97	8,99	9,82	178
60	140	2,00	4,10	6,98	8,93	9,76	160
70	158	2,01	4,16	7,00	8,88	—	—
80	176	2,01	4,22	7,04	8,83	—	—
90	194	2,01	4,30	7,09	8,79	—	—

### Bufferopløsninger (DIN 19266)

Se [Tabel 4](#) for pH- og ORP (mV) værdier af bestemte buffersæt med forskellige temperaturer.

**Tabel 4 pH, ORP (mV) og temperaturværdier**

Temperatur		pH					mV	
°C	°F							
5	32	1,668	4,004	6,951	7,087	9,395	10,245	13,207
10	50	1,670	4,000	6,923	7,059	9,332	10,179	13,003
20	68	1,675	4,001	6,881	7,016	9,225	10,062	12,627
<b>25</b>	<b>77</b>	<b>1,679</b>	<b>4,006</b>	<b>6,865</b>	<b>7,000</b>	<b>9,180</b>	<b>10,012</b>	<b>12,454</b>

**Tabel 4 pH, ORP (mV) og temperaturværdier (fortsat)**

Temperatur		pH					mV	
°C	°F							
30	86	1,683	4,012	6,853	6,987	9,139	9,966	12,289
40	104	1,694	4,031	6,838	6,970	9,068	9,889	11,984
50	122	1,707	4,057	6,833	6,964	9,011	9,828	11,705
60	140	1,723	4,085	6,836	6,968	8,962	—	11,449
70	158	1,743	4,126	6,845	6,982	8,921	—	—
80	176	1,766	4,164	6,859	7,004	8,885	—	—
90	194	1,792	4,205	6,877	7,034	8,850	—	—

## Specificaties

Specificaties zijn onderhevig aan wijzingen zonder voorafgaande mededeling.

Specificatie	Details
Afmetingen	35 x 20 x 11 cm (13,78 x 7,87 x 4,33 inch)
Gewicht	1100 g (2,43 lb)
Meterbehuizing	IP42
Voedingseisen (extern)	100–240 V, 0,4 A, 47-63 Hz
Beschermingsklasse meter	Klasse II
Opslagtemperatuur	–15 tot +65 °C (5 tot +149 °F)
Bedrijfstemperatuur	0 tot 40 °C (41 tot 104 °F)
Luchtvochtigheid tijdens gebruik	< 80% (niet-condenserend)
Resolutie	pH: 0,1/0,01/0,001, redox: 0,1/1 mV, ISE: programmeerbaar, temperatuur: 0,1 °C (0,18 °F)
Meetfout (± 1 digit)	pH: ≤ 0,002, redox: ≤ 0,2 mV, temperatuur: ≤ 0,2 °C (≤ 0,36 °F)
Reproduceerbaarheid (± 1 digit)	pH: ± 0,001, redox: ± 0,1 mV, temperatuur: ± 0,1 °C (± 0,18 °F)
Gegevensopslag	330 resultaten en laatste 9 kalibraties
Aansluitingen	2 gecombineerde of meetelektroden: BNC-connector (imp. >10 <sup>12</sup> Ω); 2 referentie-elektroden: banaanstekker; A.T.C.-type Pt 1000: banaan- of telefoonstekker; magneetroeder: RCA-connector; 2 magneetroeders: RCA-connector
Temperatuurcorrectie	Handmatig, Pt 1000-temperatuurelektrode (A.T.C.), isopotential-pH programmeerbaar, standaardwaarde 7,00

Specificatie	Details
Vergrendeling meetscherm	Continue meting, stabiliteitsafhankelijk
Display	LCD, met achtergrondverlichting, 128 x 64 pixels
Toetsenbord	PET, beschermd
Certificering	CE

## Algemene informatie

Gewijzigde versies kunnen op de website van de fabrikant worden gevonden.

## Veiligheidsinformatie

### LET OP

De fabrikant is niet verantwoordelijk voor enige schade door onjuist toepassen of onjuist gebruik van dit product met inbegrip van, zonder beperking, directe, incidentele en gevolgschade, en vrijwaart zich volledig voor dergelijke schade voor zover dit wettelijk is toegestaan. Uitsluitend de gebruiker is verantwoordelijk voor het identificeren van kritische toepassingsrisico's en het installeren van de juiste mechanismen om processen te beschermen bij een mogelijk onjuist functioneren van apparatuur.

Lees deze handleiding voor het instrument uit te pakken, te installeren of te gebruiken. Let op alle waarschuwingen. Wanneer u dit niet doet, kan dit leiden tot ernstig letsel of schade aan het instrument.

Controleer voor gebruik of het instrument niet beschadigd is. Het instrument mag op geen andere wijze gebruikt worden dan als in deze handleiding beschreven.

## Gebruik van gevareninformatie

### ⚠ GEVAAR

Geeft een potentieel gevaarlijke of dreigende situatie aan die, indien niet voorkomen, zal resulteren in dodelijk of ernstig letsel.

## ⚠ WAARSCHUWING

Geeft een potentieel of op handen zijnde gevaarlijke situatie aan die, als deze niet wordt vermeden, kan leiden tot dood of ernstig letsel.

## ⚠ VOORZICHTIG



Geeft een mogelijk gevaarlijke situatie aan die kan resulteren in minder ernstig letsel of lichte verwondingen.

## LET OP

Duidt een situatie aan die (indien niet wordt voorkomen) kan resulteren in beschadiging van het apparaat. Informatie die speciaal moet worden benadrukt.

## Waarschuwingen

Lees alles labels en tags die aan en op het instrument zijn aangebracht. Het niet naleven van deze waarschuwingen kan leiden tot letsel of beschadiging van het instrument. Voor elk symbool, is aanvullende informatie te vinden in de handleiding.

	Dit symbool, indien op het instrument aangegeven, verwijst naar de handleiding voor bediening en/of veiligheidsinformatie.
	Het is sinds 12 augustus 2005 niet meer toegestaan elektrische apparatuur, voorzien van dit symbool, af te voeren via Europese openbare afvalverwerkingssystemen. Conform de Europese, lokale en nationale voorschriften (EU-richtlijn 2002/96/EC), zijn gebruikers van elektrische apparatuur verplicht oude of versleten apparaten te retourneren aan de producent, waarbij de gebruiker geen kosten in rekening mogen worden gebracht. <b>Opmerking:</b> <i>Neem voor instructies over het retour sturen of de juiste verwerking van oude of versleten apparatuur en accessoires, contact op met de producent of leverancier van de apparatuur.</i>

## Productoverzicht

De meters van de serie sensION™+ worden gebruikt in combinatie met elektroden om diverse parameters in water te meten.

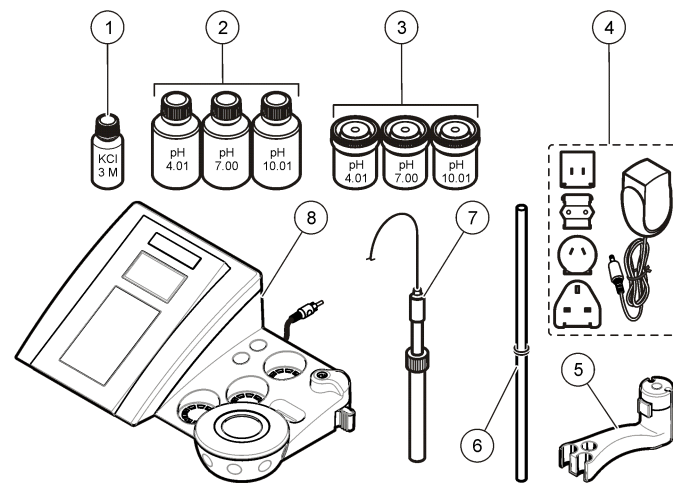
De sensION™+ MM340-meter heeft twee meetkanalen voor het meten van pH, redox (mV) of ISE (concentratie) met een selectieve elektrode.

Meetresultaten kunnen worden opgeslagen en verzonden naar een printer of pc.

## Productonderdelen

Zie [Afbeelding 1](#) om te controleren of u alle accessoires hebt ontvangen. Neem onmiddellijk contact op met de fabrikant of een verkoopvertegenwoordiger in geval van ontbrekende of beschadigde onderdelen.

Afbeelding 1 Meteronderdelen

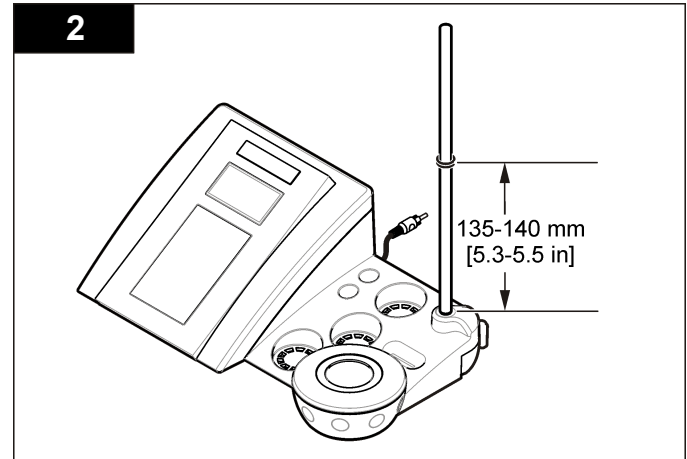
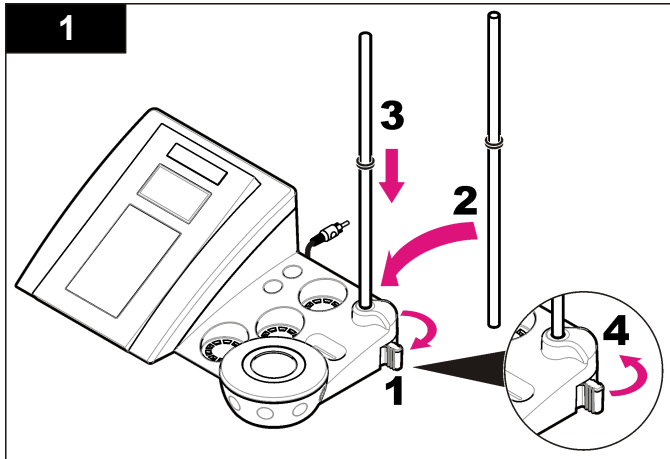


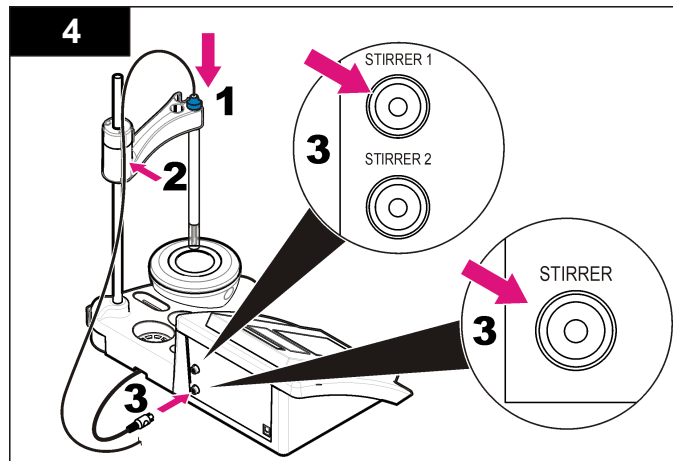
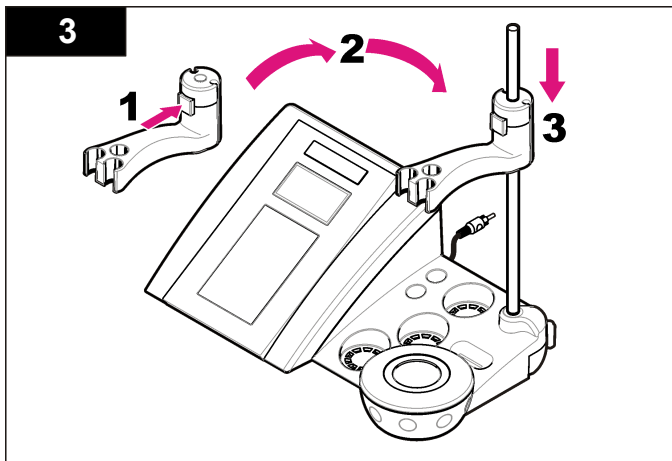
1 Elektrolyt voor de elektrode	5 Elektrodehouder
2 Bufferoplossingen (pH 4,01, pH 7,00 en pH 10,01)	6 Staaf met o-ring
3 Kalibratiebekers (met roermagneetje)	7 Elektrode (bij bestelling van een kit)
4 Netspanningsadapter	8 Meter

# Installatie

## Elektrodehouder monteren

Volg de genummerde werkinstructie om de elektrodehouder te plaatsen en de magneetroerder aan te sluiten.





## Aansluiten op netspanning

### ⚠ GEVAAR



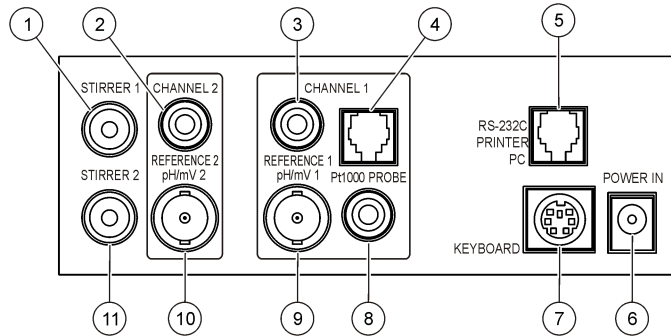
Elektrocutiegevaar. Als dit apparaat buiten of op mogelijk natte locaties wordt gebruikt, moet een apparaat voor stroomcircuitonderbreking worden gebruikt om het apparaat op de stroomvoorziening aan te sluiten.

De meter kan worden aangesloten op de netspanning met behulp van de universele netspanningsadapter.

1. Selecteer de juiste stekkeradapter voor het stopcontact uit de adapterset.
2. Sluit de universele netspanningsadapter aan op de meter ([Afbeelding 2](#)).
3. Sluit de universele netspanningsadapter aan op het stopcontact ([Afbeelding 3](#)).
4. Zet de meter aan.

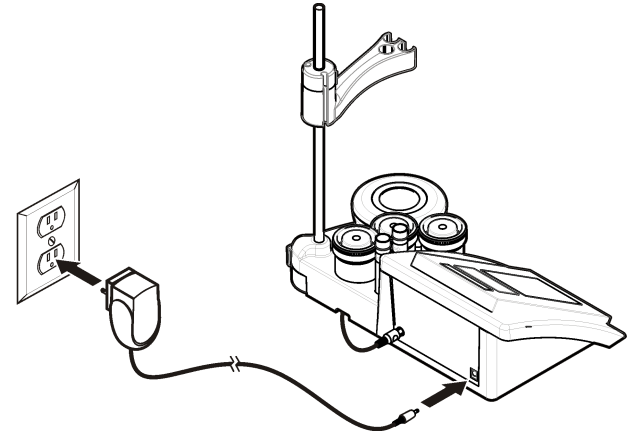


**Afbeelding 2 Connectorpaneel**



1 Aansluiting magneetroerder 1, kanaal 1	7 Mini-DIN-aansluiting voor pc-toetsenbord
2 Aansluiting referentie-elektrode (gescheiden elektroden), kanaal 1	8 Aansluiting temperatuurelektrode, kanaal 2
3 Aansluiting referentie-elektrode (gescheiden elektroden), kanaal 2	9 Aansluiting gecombineerde pH-elektrode (of indicator), kanaal 2
4 Aansluiting gescheiden temperatuurelektrode, kanaal 2	10 Aansluiting gecombineerde pH-elektrode (of indicator), kanaal 1
5 RS-232-aansluiting voor printer of pc	11 Aansluiting magneetroerder 2, kanaal 2
6 Netspanningsadapter	

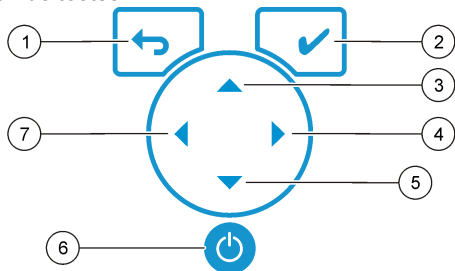
**Afbeelding 3 Aansluiting op netspanning**



# Gebruikersinterface en navigatie

## Gebruikersinterface

### Functies van de toetsen

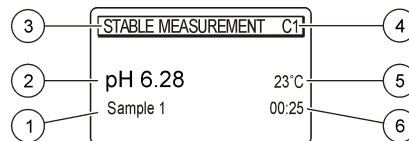


1 Toets Terug: annuleren of het huidige menuscherm verlaten en terugkeren naar het vorige menuscherm	5 Toets Omlaag: naar andere opties scrollen, een waarde wijzigen
2 Meettoets: de geselecteerde optie bevestigen	6 AAN/UIT: de meter aan- of uitzetten
3 Toets Omhoog: naar andere opties scrollen, een waarde wijzigen	7 Toets Naar links: tussen kanaal 1 en kanaal 2 wisselen, cijfers en letters invoeren
4 Toets Naar rechts: tussen kanaal 1 en kanaal 2 wisselen, cijfers en letters invoeren	

## Display

Het display van de meter toont de concentratie, eenheden, temperatuur, kalibratiestatus, gebruikers-ID, monster-ID, datum en tijd.

## Afbeelding 4 Display met één scherm



1 Monster-ID	4 Meettemperatuur (°C of °F)
2 Meeteenheid en -waarde (pH, redox (mV) of ISE)	5 Visuele meettimer
3 Meetmodus of tijd en datum	

## Bediening

Druk op om naar het vorige menu terug te keren. Druk op de meettoets om een monstermeting uit te voeren of om opties te bevestigen. Gebruik de pijltoetsen om naar andere opties te scrollen of om een waarde te wijzigen.. Om de parameters te wijzigen, gebruikt u de pijltoetsen en . Zie voor elke taak de specifieke instructies..

## Opstarten

### Het instrument aan en uit zetten

#### LET OP

Zorg dat de elektrode op de meter is aangesloten voordat de meter wordt ingeschakeld.

Druk op om de meter aan of uit te zetten. Als de meter niet opstart, controleert u of de netspanningsadapter goed is aangesloten op het stopcontact.

## De taal instellen

Als de meter voor de eerste keer wordt aangezet, kan de taal worden geselecteerd.

1. Druk op ▲ of ▼ om een taal uit een lijst te selecteren.
2. Bevestig met ✓. Het meetscherm toont DATA OUTPUT (gegevensuitvoer).
3. Selecteer 'Deactivated' (uitgeschakeld) als er geen printer of pc is aangesloten en bevestig uw keuze. Raadpleeg [Selecteer de gegevensuitvoer](#) op pagina 154 voor meer informatie over gegevensuitvoer.

## Standaardbediening

### Kalibratie

#### ▲ WAARSCHUWING

Gevaar van blootstelling aan chemicaliën. Volg alle laboratoriumtechnische veiligheidsvoorschriften op en draag alle persoonlijke beschermingsuitrusting die geschikt is voor de gehanteerde chemicaliën. Raadpleeg de actuele veiligheidsinformatiebladen (MSDS) voor veiligheidsprotocollen.

### Instellingen kalibratie

Voor de kalibratie kan o.a. het type (calibration type), de frequentie (calibration frequency) en weergaveopties (display options) ingesteld worden.

1. Druk in het hoofdmenu op ▲ of ▼ om CALIBRATION (kalibratie) te selecteren. Bevestig.
2. Druk op ▲ om het kalibratiemenu te openen.
3. Druk op ▲ of ▼ om de volgende opties te selecteren:

Optie	Omschrijving
Stability C.:	Stabiliteitscriterium — selecteer 'Fast' (snel), 'Standard' (standaard) of 'Strict' (strikt).

Optie	Omschrijving
Calibration type	Kalibratietype — selecteer 'Technical buffers' (technische buffers), 'DIN19266 Buffers', 'User Buffers' (buffers van gebruikers), 'To a X value' (ten opzichte van een X-waarde), 'Data introduction' (gegevens invoeren) of 'Theoretical calibration' (theoretische kalibratie). Raadpleeg <a href="#">Calibration types</a> voor meer informatie.
Cal. frequency (kalibratiefrequentie)	Kalibratieherinnering — kan worden ingesteld tussen 0 en 7 dagen (standaard is dagelijks). Het display toont de resterende tijd tot de volgende kalibratie. Raadpleeg <a href="#">Kalibratieherinnering instellen</a> op pagina 153 voor meer informatie.
Display mV	mV weergeven — kies YES (ja) of NO (nee) om mV weer te geven.
Standard 220 mV	220mV-standaard — kalibreer met een 220mV-standaardoplossing
To a X value	Ten opzichte van een X-waarde — gebruik een specifieke standaardoplossing. Stel de waarde tijdens de kalibratie in.
Data introduction	Gegevensinvoer compensatie — voer de compensatiewaarde in
Factory adjust	Fabrieksinstelling — voer de compensatiewaarde in

### Kalibratiemogelijkheden

Er kunnen verschillende kalibratietypes worden geselecteerd.

1. Druk in het hoofdmenu op ▲ of ▼ om CALIBRATION (kalibratie) te selecteren. Bevestig.
2. Druk op ▲ om het kalibratiemenu te openen.

3. Druk op ▲ of ▼ om een 'Calibration type' (kalibratiemogelijkheid) te selecteren.

Optie	Omschrijving
'Technical buffers' (technische buffers)	pH 2,00, 4,01, 7,00, 9,21 en 10,01 bij 25 °C (77 °F)
'DIN19266 Buffers'	pH 1,679, 4,006, 6,865, 7,000, 9,180, 10,012 en 12,454
'User Buffers' (buffers van gebruikers)	Geselecteerd wanneer er geen technische of DIN19266-buffers worden gebruikt. Raadpleeg <a href="#">Technische bufferoplossingen (DIN 19267)</a> op pagina 161 voor pH waarden van specifieke buffersets bij verschillende temperaturen.
'Calibration to a X value' (kalibratie ten opzichte van een X-waarde)	Handmatig wijzigen van elke willekeurige schaalwaarde van de gemeten pH.
'Data introduction' (invoeren gegevens)	Handmatige invoer van de elektrodeconstante.
'Theoretical calibration' (theoretische kalibratie)	De kalibratiegegevens van de elektrode worden vervangen bij 25 °C (77 °F).

## Kalibratieprocedure

Deze procedure is bedoeld voor algemeen gebruik met kalibratieoplossingen. Raadpleeg de documenten die bij elke elektrode worden meegeleverd voor aanvullende informatie.

**Opmerking:** *Oplossingen dienen tijdens de kalibratie te worden geroerd.*  
Raadpleeg [Roerinstellingen wijzigen](#) op pagina 155 voor meer informatie over de instellingen voor het roeren.

1. Giet de buffers of kalibratieoplossingen in de gelabelde kalibratiebekers.
2. Druk in het hoofdmenu op ▲ of ▼ en ◀ en ▶ om de CALIBRATION-parameter (kalibratieparameter) te selecteren. Bevestig.
3. Kies indien nodig de gebruikers-ID (1 t/m 10) en bevestig uw keuze.

4. Spoel de elektrode met demi-water en plaats de elektrode in de eerste kalibratiebeker. Controleer of het membraan geen opgesloten luchtballen bevat.
5. Druk op ✓ om de kalibratie te starten.
6. Druk op ✓ om de eerste kalibratieoplossing te meten. De volgende kalibratieoplossing wordt weergegeven.
7. Spoel de sonde met gedeïoniseerd water en leg de sonde in de tweede kalibratiebeker. Controleer of het membraan geen opgesloten luchtballen bevat.
8. Druk op ✓ om de tweede kalibratieoplossing te meten. De volgende kalibratieoplossing wordt weergegeven.
9. Spoel de sonde met gedeïoniseerd water en leg de sonde in de derde kalibratiebeker. Controleer of het membraan geen opgesloten luchtballen bevat.
10. Druk op ✓ om de derde kalibratieoplossing te meten. Als de kalibratie is gelukt, geeft het display kort 'Calibration OK' (kalibratie in orde) weer en keert vervolgens terug naar het hoofdmenu.  
**Opmerking:** *Als er een printer is aangesloten, wordt het afdrukmenu geopend en kan het resultaat worden afgedrukt.*

## Kalibratiegegevens weergeven

De gegevens van de meest recente kalibratie kunnen worden weergegeven.

1. Druk in het hoofdmenu op ▲ of ▼ om DATA LOGGER (datalog) te selecteren. Bevestig.
2. Selecteer 'Display data' (gegevens weergeven).
3. Selecteer 'Calibration data' (informatie kalibratie) en bevestig uw keuze met ✓. De laatste kalibratiegegevens worden weergegeven.
  - pH - de helling en de offsetwaarden worden afwisselend weergegeven samen met de afwijking (in %) en de kalibratietemperatuur.
  - Redox - de gemeten mV-waarde en de kalibratietemperatuur worden weergegeven.
  - Geleidbaarheid - de celconstante en de kalibratietemperatuur voor elke standaard worden weergegeven.

## Kalibratieherinnering instellen

De kalibratieherinnering kan worden ingesteld tussen 0 en 23 uur of 1 en 7 dagen (standaard 1 dag). Het display toont de resterende tijd tot de volgende kalibratie.

**Opmerking:** Als 0 dagen is geselecteerd, is de kalibratieherinnering uitgeschakeld.

1. Druk in het hoofdmenu op ▲ of ▼ om CALIBRATION (kalibratie) te selecteren. Bevestig.
2. Druk op ▲ om het kalibratiemenu te openen.
3. Druk op ▲ of ▼ om 'Cal. frequency' (kalibratiefrequentie) te selecteren en bevestig uw keuze.
4. Druk op ◀ en ▶ om naar de volgende stap te gaan en druk op ▲ of ▼ om een waarde te wijzigen. Bevestig.  
Druk op ✓ om de kalibratie te starten.

## Metingen aan monsters

Er gelden specifieke voorbereidende stappen en procedures voor monstermetingen voor elke afzonderlijke elektrode.

1. Druk in het hoofdmenu op ▲ of ▼ en ◀ en ▶ om MEASURE (meten) te selecteren. Bevestig.
2. Druk op ▲ om de volgende instellingen te wijzigen. Bevestig elke invoer.

Optie	Beschrijving
<b>Resolution</b>	Selecteer de resolutie: 1, 0,1, 0,01 (standaard) of 0,001
<b>Measure</b>	'Stability' (stabiliteit) — selecteer 'By stability Criterion' (stabiliteitscriterium): 'Fast' (snel) (variatie < 0,02 pH in 6 s), 'Standard' (standaard) (variatie < 0,01 pH in 6 s) of Strict (strikt) (variatie < 0,002 pH in 6 s). 'In continuous' (continu) — voer het tijdsinterval in voor 'In continuous Acquis. interval' (acquisitie-interval continu) (opslaan van gegevens of afdrukken van gegevens). 'By time' (tijdsafhankelijk) — voer het tijdsinterval in voor het opslaan of het afdrukken van gegevens.
<b>Display mV</b>	mV weergeven — kies YES (ja) of NO (nee) om mV weer te geven.

Optie	Beschrijving
<b>Limits</b>	Grenzen — kies YES (ja) of NO (nee). YES (ja): voer de boven- en ondergrenzen in. Er klinkt een waarschuwingssignaal wanneer de meting een grens overschrijdt. De rapportuivoer toont een A naast de gemeten waarde wanneer de meting een grens heeft overschreden.
<b>Isopotential</b>	Isopotentiaal — wijzig 'Isopotential pH value' (de isopotentiaal-pH-waarde) in 'Data introduction' (gegevens invoeren). Selecteer 'Calculate' (berekenen) om de elektrode opnieuw te kalibreren.

3. Druk op ✓ om de meting te starten.

**Opmerking:** Als de meting na 120 seconden niet is gestabiliseerd, schakelt de meter automatisch over naar een continue meting.

## Geavanceerde bediening

### Meeteenheden wijzigen

De eenheid kan voor elk kanaal afzonderlijk voor elk kanaal worden gewijzigd.

1. Druk in het hoofdmenu op ▲ of ▼ om SYSTEM (systeem) te selecteren. Bevestig.
2. Druk op ▲ of ▼ om 'Measurement units' (meeteenheden) te selecteren en bevestig uw keuze.
3. Selecteer 'Channel 1' (kanaal 1) of 'Channel 2' (kanaal 2) en bevestig uw keuze.
4. Selecteer redox (mV), pH of ISE en bevestig uw keuze.

### Gebruik een monster-ID

Om metingen aan een bepaalde monsterlocatie toe te wijzen, kan het monster-ID ingesteld worden. Daarna bevatten alle opgeslagen gegevens dit ID.

1. Druk in het hoofdmenu op ▲ of ▼ om SYSTEM (systeem) te selecteren. Bevestig.

2. Druk op ▲ of ▼ om Sample ID (monster-ID) te selecteren en bevestig uw keuze.
3. Druk op ▲ of ▼ om te selecteren

Optie	Beschrijving
<b>Automatic</b>	Er wordt automatisch een volgnummer aan elk monster toegewezen.
<b>Manual</b>	Er is een toetsenbord of een barcodescanner nodig om voorafgaand aan een meting de naam van de monster-ID in te voeren (maximaal 15 karakters).

## Selecteer de gegevensuitvoer

Gegevens kunnen worden opgeslagen of verzonden naar een printer of pc.

1. Druk in het hoofdmenu op ▲ of ▼ om SYSTEM (systeem) te selecteren. Bevestig.
2. Druk op ▲ of ▼ om 'Data Output' (gegevensuitvoer) te selecteren en bevestig uw keuze.
3. Druk op ▲ of ▼ om te selecteren

Optie	Beschrijving
<b>Deactivated</b>	Selecteer 'Deactivated' (uitgeschakeld) als er geen printer of pc is aangesloten.
<b>For Printer</b>	Selecteer 'Dot matrix printer' (matrixprinter) of 'Thermal printer' (thermische printer).
<b>For Computer</b>	Selecteer Terminal, LabCom of LabCom Easy. De LabCom-software stuurt meerdere modules, pH- en geleidbaarheidsmeters, automatische buretten, monsternameapparaten etc. aan vanaf een computer. De LabCom Easy-software leest pH- en geleidbaarheidsgegevens vanaf een pc.

## De datum en tijd instellen

De datum en tijd kunnen worden gewijzigd in het menu 'Date / Time' (datum/tijd).

1. Druk in het hoofdmenu op ▲ of ▼ om SYSTEM (systeem) te selecteren. Bevestig.
2. Druk op ▲ of ▼ om 'Date / Time' (datum/tijd) te selecteren en bevestig uw keuze.
3. Druk op ◀ en ▶ om naar de volgende stap te gaan en druk op ▲ of ▼ om een waarde te wijzigen. Bevestig.  
De datum en tijd worden in het display weergegeven.

## Displaycontrast instellen

1. Druk in het hoofdmenu op ▲ of ▼ om SYSTEM (systeem) te selecteren. Bevestig.
2. Druk op ▲ of ▼ om 'Display contrast' (displaycontrast) te selecteren en bevestig uw keuze.
3. Druk op ◀ en ▶ om het contrast van het display in te stellen en bevestig uw keuze.

## Temperatuur instellen

De temperatuurmeting kan worden ingesteld op 25 °C (77 °F) en/of 85 °C (185 °F) om de nauwkeurigheid te vergroten.

1. Plaats de elektrode en een geijkte thermometer in een bak met water van circa 25 °C en laat de temperatuur stabiliseren.
2. Vergelijk de op de meter uitgelezen temperatuur met die van de geijkte thermometer. Het verschil is de afstelwaarde voor de meter. Voorbeeld: geijkte thermometer: 24,5 °C; meter: 24,3 °C. Afstelwaarde: 0,2 °C.
3. Voer de afstelwaarde voor de uitlezing van 25 °C in:
  - a. Druk in het hoofdmenu op ▲ of ▼ om SYSTEM (systeem) te selecteren. Bevestig.

- b. Druk op ▲ of ▼ om 'Readjust temp.'(temp. opnieuw instellen) te selecteren en bevestig uw keuze.
  - c. Selecteer 'Channel 1' (kanaal 1) of 'Channel 2' (kanaal 2) en bevestig uw keuze. De temperatuur wordt voor kanaal 1 gemeten door de geleidbaarheidscel en voor kanaal 2 door de pH-elektrode. Als er geen geleidbaarheidscel is aangesloten, moet de temperatuurwaarde handmatig worden ingevoerd of kan de in kanaal 2 gemeten temperatuur worden toegepast voor de meter.
  - d. Druk op ▲ of ▼ om 25 °C te selecteren en bevestig uw keuze.
  - e. Gebruik de pijltoetsen om de afstelwaarde voor 25 °C in te voeren. Bevestig.
4. Plaats de elektrode en een geijkte thermometer in een bak met water van circa 85 °C en laat de temperatuur stabiliseren.
  5. Vergelijk de temperatuur van de meter met die van de geijkte thermometer. Het verschil is de afstelwaarde voor de meter.
    - a. Druk op ▲ of ▼ om 85 °C te selecteren en bevestig uw keuze.
    - b. Gebruik de pijltoetsen om de afstelwaarde voor 85 °C in te voeren. Bevestig.
    - c. Selecteer 'Save changes' (wijzigingen opslaan) en bevestig uw keuze.

## Roerinstellingen wijzigen

De magneetroerder kan worden ingeschakeld en de roersnelheid kan worden gewijzigd in het menu 'Stirring' (roeren).

1. Druk in het hoofdmenu op ▲ of ▼ om SYSTEM (systeem) te selecteren. Bevestig.
2. Druk op ▲ of ▼ om 'Stirring' (roeren) te selecteren en bevestig uw keuze.
3. Om de roerder in of uit te schakelen, drukt u op ✓.
4. Wanneer de roerder is ingeschakeld, drukt u op ▲ of ▼ om de roersnelheid in % aan te passen.

**Opmerking:** Druk op ▲ of ▼ om tijdens een kalibratie of tijdens een meting de roersnelheid te wijzigen.

## Schakel de roerder in of uit

Roerder 1 werkt met kanaal 1 en 2 (roerder 1). Een tweede roerder kan worden aangesloten op kanaal 2 (roerder 2). Zie de volgende stappen voor het activeren van roerder 2.

1. Druk in het hoofdmenu op ▲ of ▼ om SYSTEM (systeem) te selecteren. Bevestig met ✓.
2. Druk op ▲ of ▼ om 'Stirrer N.2' (roerder nr. 2) te selecteren en bevestig uw keuze met ✓.
3. Druk op ▲ of ▼ om YES (ja) te selecteren om roerder 2 in te schakelen.

**Opmerking:** Selecteer NO (nee) om de roerder 2 uit te schakelen.

## Temperatuureenheden wijzigen

De temperatuureenheden kunnen worden gewijzigd in Celsius of Fahrenheit.

1. Druk in het hoofdmenu op ▲ of ▼ om SYSTEM (systeem) te selecteren. Bevestig.
2. Druk op ▲ of ▼ om 'Temperature units' (temperatuureenheden) te selecteren en bevestig uw keuze.
3. Druk op ▲ of ▼ om tussen Celsius en Fahrenheit te kiezen en bevestig uw keuze.

## Datalog

### 'Display data' (gegevens weergeven)

De 'Display data'-log omvat 'Measurement data' (resultaten), 'Electrode report' (informatie elektrode) en 'Calibration data' (informatie kalibratie). De opgeslagen gegevens kunnen naar een printer of een pc worden gestuurd. Wanneer de datalog vol is (400 metingen) wordt de oudste meting overschreven wanneer er een nieuwe meting wordt toegevoegd.

1. Druk op ◀ en ▶ om 'Channel 1' (kanaal 1) of 'Channel 2' (kanaal 2) te selecteren en bevestig uw keuze.

2. Druk in het hoofdmenu op ▲ of ▼ om SYSTEM (systeem) te selecteren. Bevestig.
3. Druk op ▲ of ▼ om DATA LOGGER (datalog) te selecteren en bevestig uw keuze.
4. Druk op ▲ of ▼ om 'Display data' (gegevens weergeven) te selecteren en bevestig uw keuze.
5. Druk op ▲ of ▼ om te selecteren

Optie	Beschrijving
<b>Measurement data</b>	Meetgegevens — slaat automatisch bij elke monstermeting de gegevens op
<b>Electrode report</b>	Informatie elektrode — slaat automatisch de geschiedenis en de meetomstandigheden van de elektrode op
<b>Calibration data</b>	Kalibratiegegevens — slaat automatisch de huidige kalibratie op

## 'Delete data' (gegevens wissen)

De complete meetgegevens uit de log van het elektroderapport kunnen worden gewist, om gegevens die reeds naar een printer of pc zijn gestuurd, te verwijderen.

1. Druk in het hoofdmenu op ▲ of ▼ om SYSTEM (systeem) te selecteren. Bevestig.
2. Druk op ▲ of ▼ om DATA LOGGER (datalog) te selecteren en bevestig uw keuze.
3. Druk op ▲ of ▼ om 'Erase' (wissen) te selecteren en bevestig uw keuze.
4. Druk op ▲ of ▼ om 'Measurement data' (resultaten) of 'Electrode report' (informatie elektrode) te selecteren en bevestig uw keuze. Bevestig opnieuw om de gegevens te verwijderen. De complete log wordt in één keer gewist.

## Gegevens naar een printer of een computer sturen

### LET OP

Eerst moet de gegevensuitvoer (printer of pc) worden geselecteerd, zodat het menu 'Print' (afdrukken) beschikbaar is (raadpleeg [Selecteer de gegevensuitvoer](#) op pagina 154).

**Opmerking:** Raadpleeg [Rapportuitvoer](#) op pagina 156 om het uitvoertype voor rapporten te selecteren.

1. Druk in het hoofdmenu op ▲ of ▼ om SYSTEM (systeem) te selecteren. Bevestig.
2. Druk op ▲ of ▼ om DATA LOGGER (datalog) te selecteren en bevestig uw keuze.
3. Druk op ▲ of ▼ om 'Print' (afdrukken) te selecteren en bevestig uw keuze. Selecteer een van de volgende opties en bevestig uw keuze met ✓ om de gegevens af te drukken: 'Measurement data' (resultaten), 'Electrode data' (elektrodegegevens), 'Calibration data' (informatie kalibratie), 'Calibration report' (kalibratierapport) of 'Instrument condit.' (toestand van instrument).

## Rapportuitvoer

### LET OP

Eerst moet de gegevensuitvoer (printer of pc) worden geselecteerd, zodat het menu 'Type of report' (rapporttype) beschikbaar is (raadpleeg [Selecteer de gegevensuitvoer](#) op pagina 154).

Er kunnen verschillende soorten rapporten worden geselecteerd wanneer een printer of pc is aangesloten.

1. Druk in het hoofdmenu op ▲ of ▼ om SYSTEM (systeem) te selecteren. Bevestig.
2. Druk op ▲ of ▼ om 'Type of report' (rapporttype) te selecteren en bevestig uw keuze.



3. Als er een printer of een computer en de optie Terminal is aangesloten, drukt u op ▲ of ▼ om te selecteren

Optie	Beschrijving
<b>Reduced</b>	'Several' (meerdere) of 'One sample' (één monster) als uitvoerformaat selecteren
<b>Standard</b>	Selecteer 'Several' (meerdere) of 'One sample' (één monster) als uitvoerformaat. Selecteer 'Several' (meerdere); <b>'Users' (gebruikers)</b> : de gebruikersnaam verschijnt op het rapport (17 karakters). <b>'Header' (koptekst)</b> :de bedrijfsnaam kan als koptekst worden toegevoegd (40 karakters) en staat op het rapport. <b>'Identify sensor' (Elektrode identificeren)</b> :het model en het serienummer van de elektrode kunnen worden toegevoegd en staan op het rapport.
<b>GLP</b>	Selecteer 'Several' (meerdere) of 'One sample' (één monster) als uitvoerformaat. Selecteer 'Several' (meerdere); <b>'Users' (gebruikers)</b> : de gebruikersnaam verschijnt op het rapport (17 karakters). <b>'Header' (koptekst)</b> :de bedrijfsnaam kan als koptekst worden toegevoegd (40 karakters) en staat op het rapport. <b>'Identify sensor' (Elektrode identificeren)</b> :het model en het serienummer van de elektrode kunnen worden toegevoegd en staan op het rapport.

4. Als er een computer is aangesloten en LabCom Easy (raadpleeg [Selecteer de gegevensuitvoer](#) op pagina 154 voor meer informatie) is geselecteerd, gebruikt u ▲ of ▼ om te selecteren

Optie	Beschrijving
<b>'Users' (gebruikers)</b>	De gebruikersnaam staat op het rapport (17 karakters).
<b>'Identify sensor' (Elektrode identificeren)</b>	Het model en het serienummer van de elektrode kunnen worden toegevoegd en staan op het rapport.

## Onderhoud

### ▲ WAARSCHUWING

Diverse gevaren. Haal het instrument niet voor onderhoud of reparatie uit elkaar. Als er inwendige componenten moeten worden gecontroleerd of gerepareerd, neem dan contact op met de fabrikant.

### ▲ VOORZICHTIG

Risico op persoonlijk letsel. Alleen bevoegd personeel mag de in dit deel van de handleiding beschreven taken uitvoeren.

## Reinig het apparaat

### LET OP

Gebruik nooit reinigingsmiddelen zoals terpentine, aceton of soortgelijke producten om het instrument, het display of de accessoires te reinigen.

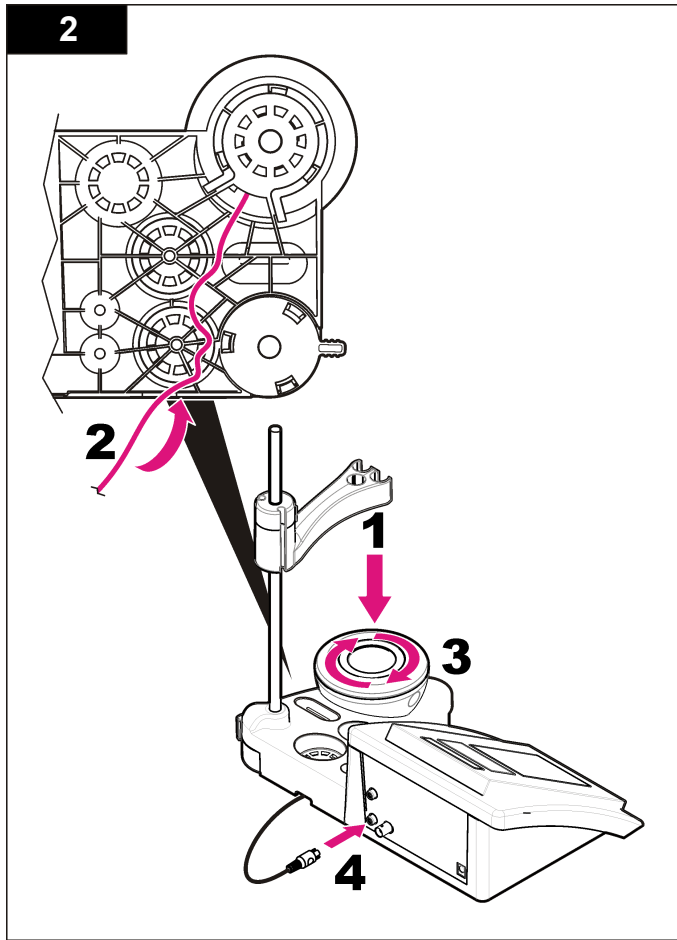
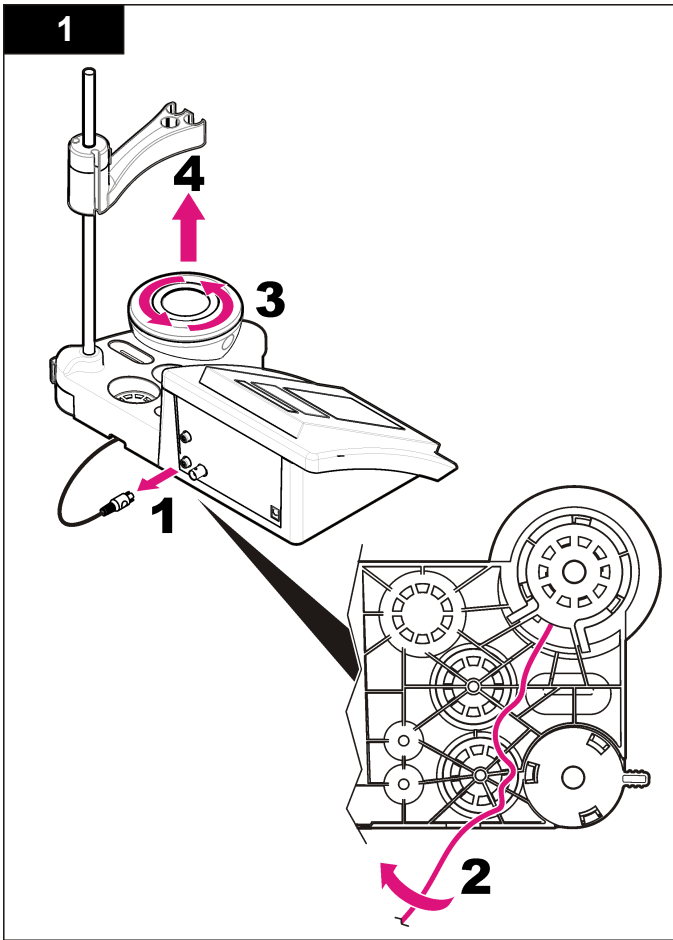
Reinig het uitwendige van het instrument met een vochtige doek en een milde zeepoplossing.

## Reinigen van de elektrode

Reinig de elektrode indien nodig. Raadpleeg [Problemen oplossen](#) op pagina 159 voor meer informatie over het reinigen. Raadpleeg de documentatie van de elektrode voor informatie over het onderhoud van de elektrode.

## Vervangen van de magneetroerder

Als de magneetroerder niet start, volg dan de genummerde stappen om de magneetroerder te vervangen.



## Problemen oplossen

Raadpleeg de onderstaande tabel voor een mogelijke oorzaak en oplossing bij waarschuwingen of klachten.

**Tabel 1 Waarschuwingen en fouten bij het kalibreren**

Foutmelding/waarschuwing	Oplossing
Asymmetry > 58 mV	Helling buiten bereik (toegestane waarden $\pm 58$ mV). Kalibreer opnieuw. Sluit een nieuwe elektrode aan.
Buffer or electrode in poor conditions.	Onderzoek de elektrode: reinig de elektrode (raadpleeg <a href="#">Reinigen van de elektrode</a> op pagina 157 voor meer informatie); controleer of het membraan geen opgesloten luchtballen bevat. Schud de elektrode zoals een thermometer; sluit een andere elektrode aan om te verifiëren of het probleem zich in de elektrode of in de meter bevindt.  Onderzoek de bufferoplossing: controleer of de gebruikte buffer overeenkomt met de in de configuratie gespecificeerde buffer; controleer de temperatuurinstelling in de configuratie; gebruik een nieuwe bufferoplossing.
BUFFER NOT RECOGNIZED (buffer niet herkend)	Kalibreer opnieuw. Onderzoek de elektrode: reinig de elektrode (raadpleeg <a href="#">Reinigen van de elektrode</a> op pagina 157 voor meer informatie); controleer of het membraan geen opgesloten luchtballen bevat. Schud de elektrode zoals een thermometer; sluit een andere elektrode aan om te verifiëren of het probleem zich in de elektrode of in de meter bevindt.
Sens. (a) < 70%	Onderzoek de bufferoplossing: controleer of de gebruikte buffer overeenkomt met de in de configuratie gespecificeerde buffer; controleer de temperatuurinstelling in de configuratie; gebruik een nieuwe bufferoplossing.

**Tabel 1 Waarschuwingen en fouten bij het kalibreren (vervolg)**

Foutmelding/waarschuwing	Oplossing
UNSTABLE READING Time $\geq 100$ s	Kalibreer opnieuw. Onderzoek de elektrode: reinig de elektrode (raadpleeg <a href="#">Reinigen van de elektrode</a> op pagina 157 voor meer informatie); controleer of het membraan geen opgesloten luchtballen bevat. Schud de elektrode zoals een thermometer; sluit een andere elektrode aan om te verifiëren of het probleem zich in de elektrode of in de meter bevindt.  Controleer of het membraan en de zoutbrug goed in het monster zijn gedompeld.
Check temperature. Check elektrode	Controleer de temperatuurspecificatie in de configuratie.  Onderzoek de elektrode: reinig de elektrode (raadpleeg <a href="#">Reinigen van de elektrode</a> op pagina 157 voor meer informatie); controleer of het membraan geen opgesloten luchtballen bevat. Schud de elektrode zoals een thermometer; sluit een andere elektrode aan om te verifiëren of het probleem zich in de elektrode of in de meter bevindt.

**Tabel 1 Waarschuwingen en fouten bij het kalibreren (vervolg)**

Foutmelding/waarschuwing	Oplossing
Electrode in poor conditions. Check the electrode.	Onderzoek de elektrode: reinig de elektrode (raadpleeg <a href="#">Reinigen van de elektrode</a> op pagina 157 voor meer informatie); controleer of het membraan geen opgesloten luchtballen bevat. Schud de elektrode zoals een thermometer; sluit een andere elektrode aan om te verifiëren of het probleem zich in de elektrode of in de meter bevindt.
SAME BUFFERS (dezelfde buffers)	Kalibreer opnieuw. Onderzoek de elektrode: reinig de elektrode (raadpleeg <a href="#">Reinigen van de elektrode</a> op pagina 157 voor meer informatie); controleer of het membraan geen opgesloten luchtballen bevat. Schud de elektrode zoals een thermometer; sluit een andere elektrode aan om te verifiëren of het probleem zich in de elektrode of in de meter bevindt. Onderzoek de bufferoplossing: gebruik een nieuwe bufferoplossing.

**Tabel 2 Waarschuwingen en fouten tijdens het meten**

Foutmelding/waarschuwing	Oplossing
pH 12,78 19°C	Kalibreer opnieuw
pH out of range	Onderzoek de elektrode: reinig de elektrode (raadpleeg <a href="#">Reinigen van de elektrode</a> op pagina 157 voor meer informatie); controleer of het membraan geen opgesloten luchtballen bevat. Schud de elektrode zoals een thermometer; sluit een andere elektrode aan om te verifiëren of het probleem zich in de elektrode of in de meter bevindt.
Temp out of range °C	Onderzoek de temperatuursensor. Sluit een andere elektrode aan om te verifiëren of het probleem zich in de elektrode of in de meter bevindt.

**Tabel 2 Waarschuwingen en fouten tijdens het meten (vervolg)**

Foutmelding/waarschuwing	Oplossing
Time > 60 s	Controleer of het membraan en de zoutbrug goed in het monster zijn gedompeld.
Time > 150 s	Controleer de temperatuur.
Time > 300 s	Onderzoek de elektrode: reinig de elektrode (raadpleeg <a href="#">Reinigen van de elektrode</a> op pagina 157 voor meer informatie); controleer of het membraan geen opgesloten luchtballen bevat. Schud de elektrode zoals een thermometer; sluit een andere elektrode aan om te verifiëren of het probleem zich in de elektrode of in de meter bevindt.
10,389 mg/l >>>>>	ISE-meting: de gemeten waarde is hoger dan de hoogste standaard die tijdens de kalibratie is gebruikt. Meet opnieuw.
0,886 mg/l <<<<<<	ISE-meting: de gemeten waarde is lager dan de laagste standaard die tijdens de kalibratie is gebruikt. Meet opnieuw.

## Reserveonderdelen en accessoires

**Opmerking:** Product- en artikelnummers kunnen verschillen per regio. Neem contact op met de desbetreffende distributeur of bezoek de website voor contactgegevens.

### Reservedelen

Beschrijving	Item nr.
sensION+ PH3 Lab pH-meter met accessoires, zonder elektrode	LPV2000.98.0002
sensION+ PH31 Lab pH-meter, GLP, met accessoires, zonder elektrode	LPV2100.98.0002
sensION+ MM340 Lab pH en ionenmeter, GLP, 2 kanalen, met accessoires, zonder elektrode	LPV2200.98.0002
sensION+ EC7 Lab geleidbaarheidsmeter, met accessoires, zonder elektrode	LPV3010.98.0002

## Reserveonderdelen en accessoires (vervolg)

Beschrijving	Item nr.
sensION+ EC71 Lab geleidbaarheidsmeter, GLP, met accessoires, zonder elektrode	LPV3110.98.0002
sensION+ MM374, 2-kanaals laboratoriummeter, GLP, accessoires, zonder elektroden	LPV4110.98.0002

## Verbruiksartikelen

Beschrijving	Item nr.
pH-bufteroplossing 4,01, 125 ml	LZW9460.99
pH-bufteroplossing 7,00, 125 ml	LZW9461.98
pH-bufteroplossing 10,01, 125 ml	LZW9470.99
pH-bufteroplossing 4,01, 250 ml	LZW9463.99
pH-bufteroplossing 7,00, 250 ml	LZW9464.98
pH-bufteroplossing 10,01, 250 ml	LZW9471.99
pH-bufteroplossing 4,01, 1000 ml	LZW9466.99
pH-bufteroplossing 7,00, 1000 ml	LZW9467.98
pH-bufteroplossing 10,01, 1000 ml	LZW9472.99
Elektrolietvloeistof (KCl 3M), 125 ml	LZW9510.99
Elektrolietvloeistof (KCl 3M), 250 ml	LZW9500.99
Elektrolietvloeistof (KCl 3M), 50 ml	LZW9509.99
Elektrolietvloeistof 0,1 M, 125 ml	LZW9901.99
Enzymoplossing	2964349
Pepsine-reinigingsoplossing	2964349
Reinigingsoplossing voor elektrode	2965249
0,1 N HCl-oplossing	1481253

## Accessoires

Beschrijving	Item nr.
Thermische printer, RS232, voor sensION+ laboratoriummodel	LZW8201.99
Thermisch papier voor printer LZW8201, zak met 5 rollen	LZW9117.99
Matrixprinter, RS232, voor sensION+ instrumenten	LZW8200.99
Standaardpapier voor printer LZW8200, zak met 10 rollen	LZW9000.99
Inkcartridge voor printer LZW8200, 3 units	LZW9001.99
LabCom Easy PC SW, voor sensION+ GLP, CD, kabel, USB-adapter	LZW8997.99
LabCom PC SW, voor sensION+ GLP, CD, kabel, USB-adapter	LZW8999.99
RS232-kabel, voor sensION+ laboratoriummodellen	LZW9135.99
RS232-kabel voor sensION+ laboratoriummodel, met USB-adapter	LZW9135USB.99
Magneetroerder met sensorhouder, voor sensION+ MM laboratoriummodel	LZW9319.99
Bedrukte bekertjes 3x50 ml voor pH-kalibratie laboratoriummodel	LZW9110.98
Houder voor drie sensoren, voor sensION+ laboratoriummodellen	LZW9321.99
Houder en klem voor drie sensoren	LZW9155.99
Doorstroomcel van Pyrex	LZW9118.99
PP-protector, voor bewaren van elektroden	LZW9161.99

## Standaardoplossingen

### Technische bufferoplossingen (DIN 19267)

Raadpleeg [Tabel 3](#) voor pH- en redox- (mV-) waarden van specifieke buffersets bij verschillende temperaturen.

**Tabel 3 pH-, redox- (mV-) en temperatuurwaarden**

Temperatuur		pH					mV	
°C	°F							
0	32	2,01	4.01	7.12	9.52	10,30	—	
10	50	2.01	4.00	7.06	9.38	10,17	245	
20	68	2.00	4.00	7.02	9.26	10,06	228	
<b>25</b>	<b>77</b>	<b>2,00</b>	<b>4,01</b>	<b>7,00</b>	<b>9,21</b>	<b>10,01</b>	<b>220</b>	
30	86	2.00	4.01	6.99	9.16	9,96	212	
40	104	2,00	4.03	6.97	9.06	9,88	195	
50	122	2,00	4.06	6.97	8.99	9,82	178	
60	140	2,00	4.10	6.98	8.93	9,76	160	
70	158	2,01	4.16	7.00	8.88	—	—	
80	176	2,01	4.22	7.04	8.83	—	—	
90	194	2,01	4.30	7.09	8.79	—	—	

**Tabel 4 pH-, redox- (mV-) en temperatuurwaarden (vervolg)**

Temperatuur		pH					mV	
°C	°F							
30	86	1.683	4.012	6.853	6,987	9,139	9,966	12,289
40	104	1.694	4.031	6.838	6,970	9,068	9,889	11,984
50	122	1.707	4.057	6.833	6,964	9,011	9,828	11,705
60	140	1,723	4,085	6,836	6,968	8,962	—	11,449
70	158	1.743	4.126	6.845	6,982	8,921	—	—
80	176	1.766	4.164	6.859	7,004	8,885	—	—
90	194	1.792	4.205	6.877	7,034	8,850	—	—

**Bufferoplossingen (DIN 19266)**

Raadpleeg [Tabel 4](#) voor pH- en redox- (mV-) waarden van specifieke buffersets bij verschillende temperaturen.

**Tabel 4 pH-, redox- (mV-) en temperatuurwaarden**

Temperatuur		pH					mV	
°C	°F							
5	32	1.668	4.004	6.951	7,087	9,395	10,245	13,207
10	50	1.670	4.000	6.923	7,059	9,332	10,179	13,003
20	68	1.675	4.001	6.881	7,016	9,225	10,062	12,627
<b>25</b>	<b>77</b>	<b>1,679</b>	<b>4,006</b>	<b>6,865</b>	<b>7,000</b>	<b>9,180</b>	<b>10,012</b>	<b>12,454</b>

## Specyfikacje

Specyfikacje mogą zostać zmienione bez wcześniejszego zawiadomienia.

Specyfikacja	Szczegóły
Wymiary	35 x 20 x 11 cm (13,78 x 7,87 x 4,33 cala)
Masa	1100 g (2,43 lb)
Obudowa miernika	IP42
Wymagania dotyczące zasilania (zasilacz zewnętrzny)	100–240 V, 0,4 A, 47-63 Hz
Klasa ochrony (miernik)	Klasa II
Temperatura składowania	–15 do +65 °C (5 do +149 °F)
Temperatura robocza	0 do 40°C (41 do 104°F)
Wilgotność robocza	< 80% (bez kondensacji)
Rozdzielczość	pH: 0,1/0,01/0,001, ORP: 0,1/1 mV, ISE: programowalne, temperatura: 0,1 °C (0,18 °F)
Błąd pomiaru (± 1 cyfra)	pH: ≤ 0,002, ORP: ≤ 0,2 mV, temperatura: ≤ 0,2 °C (≤ 0,36 °F)
Odtwarzalność (± 1 cyfra)	pH: ± 0,001, ORP: ± 0,1 mV, temperatura: ± 0,1 °C (± 0,18 °F)
Zapisywanie danych	330 wyniki oraz 9 ostatnich kalibracji
Przylączy	2 sonda kombinowana lub wskazująca: złącze BNC (imp. >10 <sup>12</sup> Ω); 2 elektrody odniesienia: złącze jack; A.T.C. typ Pt 1000: złącze jack lub złącze telefoniczne mieszadło magnetyczne: złącze RCA; 2 mieszadła magnetyczne: złącze RCA
Korygowanie temperatury	Ręcznie, sonda temperaturowa Pt 1000 (A.T.C.), programowalny punkt isopotencjalny pH, wartość standardowa 7,00

Specyfikacja	Szczegóły
Ekran pomiarów	Ciągły pomiar, według stabilności
Wyświetlacz	Ciekłokrystaliczny, z podświetleniem, 128 x 64 punkty
Klawiatura	PET poddany obróbce ochronnej
Certyfikaty	CE

## Ogólne informacje

Na stronie internetowej producenta można znaleźć poprawione wydania.

## Informacje dotyczące bezpieczeństwa

### POWIADOMIENIE

Producent nie ponosi odpowiedzialności za ewentualne szkody wynikłe z niewłaściwego stosowania albo użytkowania tego produktu, w tym, bez ograniczeń szkody bezpośrednie, przypadkowe i wtórne, oraz wyklucza takie odszkodowanie w pełnym zakresie dozwolonym przez obowiązujące prawo. Użytkownik jest wyłącznie odpowiedzialny za zidentyfikowanie krytycznych zagrożeń aplikacji i zainstalowanie odpowiednich mechanizmów ochronnych procesów podczas ewentualnej awarii sprzętu.

Prosimy przeczytać całą niniejszą instrukcję obsługi przed rozpakowaniem, ustawieniem lub obsługą tego urządzenia. Należy zwrócić uwagę na wszystkie uwagi dotyczące niebezpieczeństwa i kroków zapobiegawczych. Niezastosowanie się do tego może spowodować poważne obrażenia obsługującego lub uszkodzenia urządzenia.

Należy upewnić się, czy systemy zabezpieczające wbudowane w urządzenie pracują prawidłowo. Nie używać ani nie instalować tego urządzenia w inny sposób, aniżeli podany w niniejszej instrukcji.

## Korzystanie z informacji o zagrożeniach

### ▲ NIEBEZPIECZEŃSTWO

Wskazuje potencjalnie lub bezpośrednio niebezpieczną sytuację, która – jeśli się jej nie uniknie – doprowadzi do śmierci lub poważnych obrażeń.

## ▲ OSTRZEŻENIE

Wskazuje na potencjalną lub bezpośrednią niebezpieczną sytuację, która, jeżeli się jej nie uniknie, może doprowadzić do śmierci lub ciężkich obrażeń.

## ▲ UWAGA



Wskazuje na potencjalnie niebezpieczną sytuację, która może doprowadzić do mniejszych lub średnich obrażeń.

## POWIADOMIENIE

Wskazuje sytuację, która – jeśli się jej nie uniknie – może doprowadzić do uszkodzenia urządzenia. Informacja, która wymaga specjalnego podkreślenia.

## Etykiety ostrzegawcze

Należy czytać wszystkie etykiety i przywieszki dołączone do urządzenia. Nieprzestrzeganie tych instrukcji może spowodować obrażenia ciała lub uszkodzenie urządzenia. Jeśli na przyrządzie widoczny jest ten symbol, będzie on uwzględniony w instrukcji obsługi wraz z uwagą dotyczącą niebezpieczeństwa lub środków ostrożności.

	Ten symbol, jeżeli znajduje się on na przyrządzie, odsyła do instrukcji obsługi i/lub informacji dotyczących bezpieczeństwa.
	Od 12 sierpnia 2005 na terenie Unii Europejskiej oznaczonych tym symbolem urządzeń elektrycznych nie można usuwać przy użyciu publicznych systemów utylizacji odpadów. Zgodnie z lokalnymi i krajowymi przepisami, obowiązującymi na terenie Unii Europejskiej (Dyrektywa 2002/98/WE), użytkownicy urządzeń elektrycznych są zobowiązani do zwrotu starych lub wyeksploatowanych urządzeń producentowi, który je zutylizuje. Użytkownicy nie ponoszą żadnych kosztów związanych z tą operacją. <b>Uwaga:</b> Aby zwrócić urządzenie w celach recyklingowych, prosimy skontaktować się z producentem sprzętu lub jego dostawcą odnośnie instrukcji w jaki sposób zwrócić zużyty sprzęt, akcesoria elektryczne dostarczone przez producenta oraz wszystkie inne przedmioty pomocnicze w celach utylizacji.

## Przegląd produktu

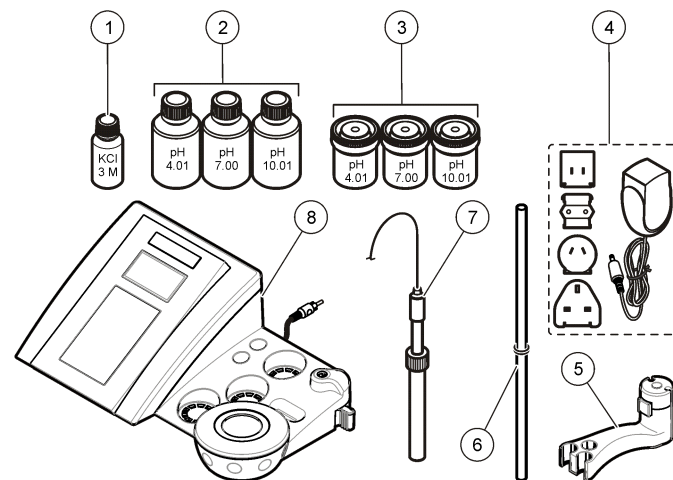
Mierniki sensION™+ są przeznaczone do użytku razem z sondami do pomiaru różnych parametrów wody.

Miernik sensION™+ MM340 ma dwa kanały pomiarowe do pomiaru pH, ORP (mV) lub ISE (stężenia) z dołączoną sondą selektywną. Dane pomiarowe można zapisać i przesłać na drukarkę lub komputer.

## Komponenty produktu

Zobacz [Rysunek 1](#), aby upewnić się, że dostarczono wszystkie komponenty. Jeśli brakuje jakiegokolwiek elementu zestawu lub któryś z tych elementów jest uszkodzony, należy niezwłocznie skontaktować się z producentem lub z jego przedstawicielem handlowym.

Rysunek 1 Komponenty miernika



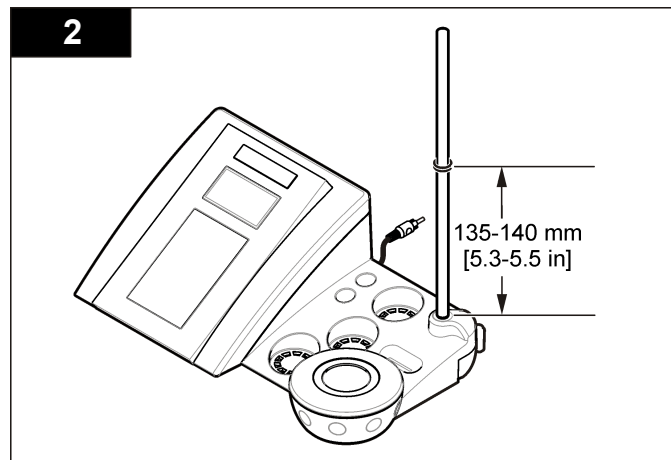
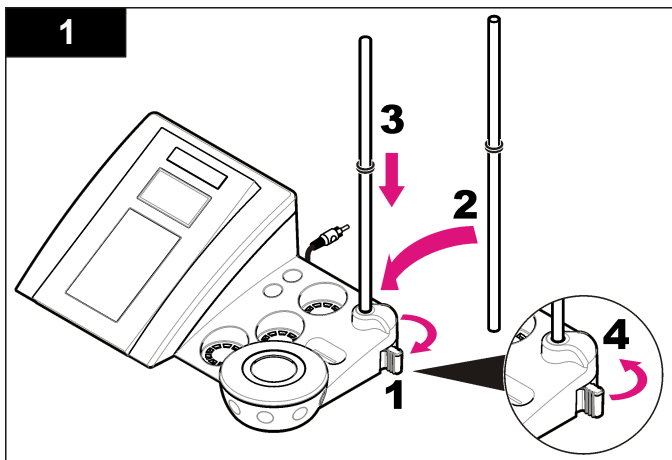
1 Elektrolit do sondy	5 Uchwyt na sondy
2 Roztwory buforowe (pH 4,01, pH 7,00 i pH 10,01)	6 Pręt z o-ringiem (cz. statywu)
3 Zlewki do kalibracji (z mieszkadem magnetycznym w środku)	7 Sonda (tylko w zestawach)
4 Zasilacz	8 Miernik

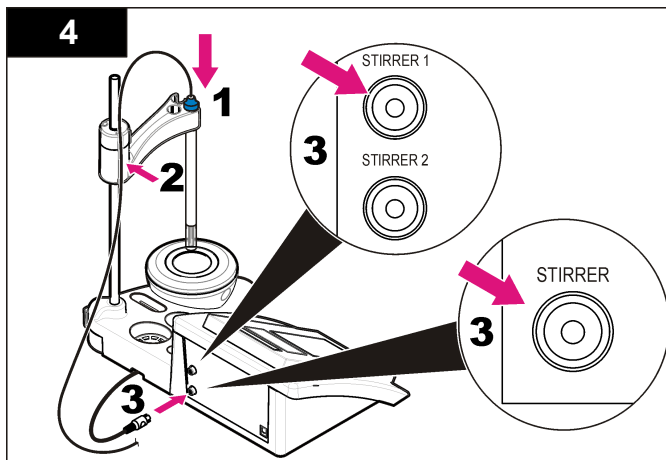
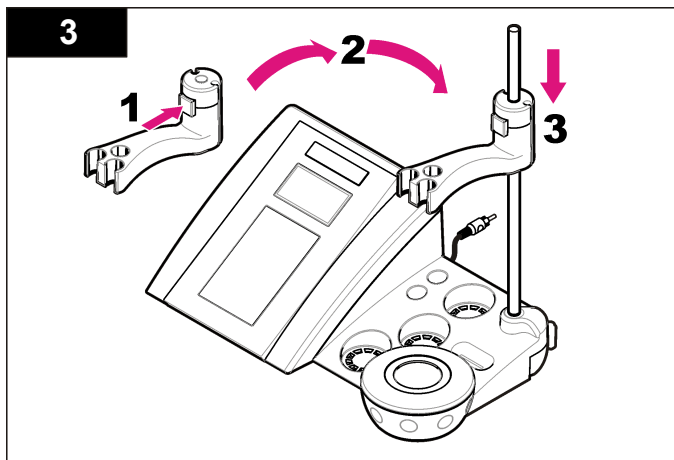


## Instalacja

### Montaż uchwyty sondy

Postępuj kolejno według ponumerowanych etapów, aby zmontować uchwyt na sondy i podłączyć mieszadło magnetyczne.





## Podłączanie do źródła zasilania prądem przemiennym

### ▲ NIEBEZPIECZEŃSTWO

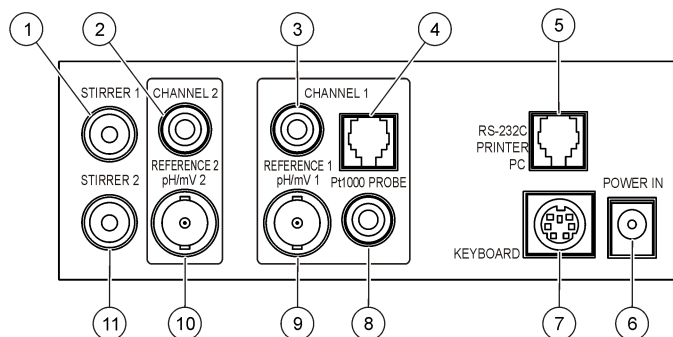


Niebezpieczeństwo śmiertelnego porażenia prądem elektrycznym. Jeśli urządzenie jest stosowane na zewnątrz lub w potencjalnie wilgotnych lokalizacjach, należy zastosować wyłącznik różnicowo-prądowy przed podłączeniem urządzenia do głównego źródła zasilania.

Miernik można zasilac prądem przemiennym, korzystając z uniwersalnego zasilacza sieciowego.

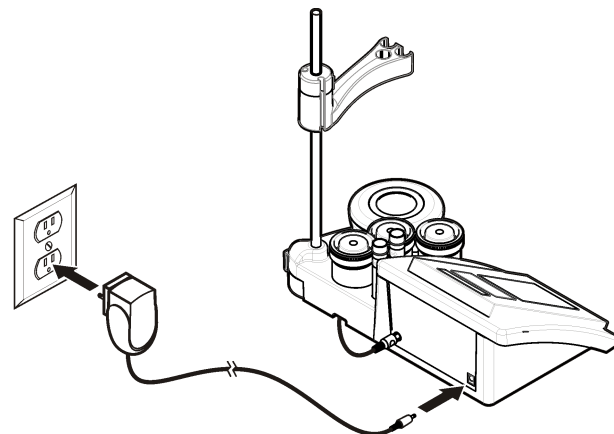
1. Wybierz właściwą wtyczkę zasilacza z dołączonego zestawu.
2. Podłącz uniwersalny zasilacz sieciowy do miernika ([Rysunek 2](#)).
3. Podłącz uniwersalny zasilacz sieciowy do gniazda zasilania prądem przemiennym ([Rysunek 3](#)).
4. Włącz miernik.

**Rysunek 2 Panel złączy**



1 Złącze mieszadła magnetycznego 1, kanał 1	7 Klawiatura PC, złącze mini DIN
2 Złącze elektrody odniesienia (elektrody oddzielone), kanał 1	8 Złącze sondy temperatury, kanał 2
3 Złącze elektrody odniesienia (elektrody oddzielone), kanał 2	9 Złącze elektrody kombinowanej pH (lub wskazującej), kanał 2
4 Złącze oddzielonej sondy temperatury, kanał 2	10 Złącze elektrody kombinowanej pH (lub wskazującej), kanał 1
5 RS-232 do drukarki lub złącze PC	11 Złącze mieszadła magnetycznego 2, Kanał 2
6 Zasilacz	

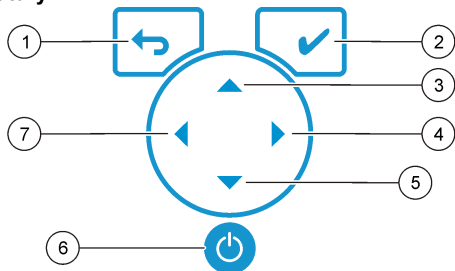
**Rysunek 3 Połączenie ze źródłem zasilania prądem przemiennym**



# Interfejs użytkownika i nawigacja

## Interfejs użytkownika

### Opis klawiatury

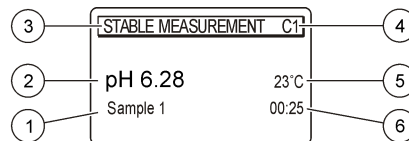


1 Klawisz RETURN: anuluje lub powrót z ekranu aktualnego menu do ekranu poprzedniego menu	5 Klawisz STRZAŁKA DO DOŁU: przewija do innych opcji, zmienia wartości
2 Klawisz POMIARU: potwierdza wybraną opcję	6 WŁĄCZANIE/WYŁĄCZANIE: włączanie i wyłączenie miernika
3 Klawisz STRZAŁKA DO GÓRY: przewija do innych opcji, zmienia wartość	7 Klawisz STRZAŁKA W LEWO: zmiana pomiędzy Channel 1 (Kanał 1) i Channel 2 (Kanał 2), wprowadza liczby i litery
4 Klawisz STRZAŁKA W PRAWO: zmiana pomiędzy Channel 1 (Kanał 1) i Channel 2 (Kanał 2), wprowadza liczby i litery	

### Opis ekranu

Na ekranie miernika są wyświetlane informacje o stężeniu, jednostki, informacje o temperaturze, stan kalibracji, identyfikator ID operatora, identyfikator ID próbki, data i godzina.

Rysunek 4 Pojedynczy ekran



1 Identyfikator ID próbki	4 Temperatura próbki (w °C lub °F)
2 Jednostka pomiaru i wartość (pH, ORP (mV) lub ISE)	5 Timer wizualizacji pomiaru
3 Tryb pomiaru lub godzina i data	

## Nawigacja

Użyj ↶, aby powrócić do poprzedniego menu. Użyj klawisza pomiaru ✓ do wykonania pomiaru próbki lub potwierdzenia opcji. Użyj klawiszy strzałek ▲▼, aby przewinąć do innych opcji lub zmienić wartość. Użyj klawiszy strzałek ◀▶ do zmiany parametrów. Przy wykonywaniu każdej czynności postępuj się określonymi instrukcjami.

## Uruchomienie

### Włączanie i wyłączenie miernika

**POWIADOMIENIE**

Upewnij się, że do miernika jest podłączona sonda przed włączeniem zasilania miernika.

Wciśnij ⏻, aby włączyć lub wyłączyć miernik. Jeśli miernik się nie włącza, skontroluj poprawność podłączenia zasilacza sieciowego.

### Zmiana ustawienia języka

Język ekranu wybiera się podczas podłączenia miernika do zasilania po raz pierwszy.

1. Użyj ▲ lub ▼, aby wybrać język z listy.

2. Potwierdź naciskając ✓. Na ekranie pomiarowym wyświetla się DATA OUTPUT (WYJŚCIE DANYCH).
3. Wybierz Deactivated (Dezaktywowano), jeśli nie podłączono drukarki czy komputera i potwierdź. Zobacz [Wybór danych wyjściowych](#) na stronie 172, aby dowiedzieć się więcej na temat wyprowadzania danych (Data Output).

## Standardowa obsługa

### Kalibracja

#### ⚠ OSTRZEŻENIE

Narażenie na działanie substancji chemicznych. Należy przestrzegać procedur bezpieczeństwa stosowanych w laboratoriach oraz stosować wszystkie środki ochrony osobistej wymagane w przypadku używanych substancji chemicznych. Protokoły warunków bezpieczeństwa można znaleźć w aktualnych kartach charakterystyki (MSDS) materiałów.

### Ustawienia kalibracji

Ustawienia kalibracji obejmują typ kalibracji, częstotliwość kalibracji i opcje wyświetlacza.

1. W menu głównym użyj ▲ lub ▼, aby wybrać CALIBRATION (KALIBRACJA). Potwierdź.
2. Użyj ▲, aby wprowadzić menu kalibracji.
3. Użyj ▲ lub ▼, aby wybrać następujące opcje:

Opcja	Opis
<b>Stability C. (Kryt. stabilności):</b>	Kryterium według stabilności—wybierz Fast(Szybko), Standard (Standardowo) lub Strict (Dokładnie).
<b>Calibration type (Typ kalibracji)</b>	Typ kalibracji—wybierz Technical buffers (Bufory techniczne), DIN19266 Buffers (Bufory według DIN19266), User Buffers (Bufory użytkownika), To a X value (Do wartości X), data introduction (wprowadzenie danych) lub Theoretical calibration (Kalibracja teoretyczna). Zobacz <a href="#">Calibration types</a> , aby dowiedzieć się więcej.

Opcja	Opis
<b>Cal. frequency (Częstotliwość kalibracji)</b>	Przypomnienie o kalibracji—można ustawić w zakresie 0–7 dni (domyślnie: codziennie). Na ekranie wyświetla się czas pozostały do nowej kalibracji. Zobacz <a href="#">Ustawianie przypomnienia o kalibracji</a> na stronie 171, aby dowiedzieć się więcej.
<b>Display mV (Wyświetlanie mV)</b>	Wyświetlanie mV—wybierz YES (TAK) lub NO (NIE), aby wyświetlić mV.
<b>Standard 220 mV (Wzorzec 220 mV)</b>	Wzorzec 220 mV—kalibracja z roztworem wzorcowym 220 mV
<b>To a X value (Do wartości X)</b>	Do wartości X—użyj określonego roztworu wzorcowego. Ustawianie wartości podczas kalibracji.
<b>Data introduction (Wprowadzenie danych)</b>	Kompensacja wprowadzonych danych—wprowadź wartość kompensacji
<b>Factory adjust (Korekta wartości fabrycznych)</b>	Korekta wartości fabrycznych—wprowadź wartość kompensacji

### Typy kalibracji

Można wybierać różne typy kalibracji.

1. W menu głównym użyj ▲ lub ▼, aby wybrać CALIBRATION (KALIBRACJA). Potwierdź.
2. Użyj ▲, aby wprowadzić menu kalibracji.
3. Użyj ▲ lub ▼, aby wybrać Calibration type (Typ kalibracji).

Opcja	Opis
<b>Technical buffers (Bufory techniczne)</b>	pH 2,00, 4,01, 7,00, 9,21 i 10.01 w temperaturze 25 °C (77 °F)
<b>DIN19266 Buffers (Bufory według DIN19266)</b>	pH 1,679, 4,006, 6,865, 7,000, 9,180, 10,012 i 12,454

Opcja	Opis
<b>User Buffers (Bufory użytkownika)</b>	Opcję wybiera się, gdy bufory techniczne ani bufory według DIN19266 nie są używane. Zobacz <a href="#">Techniczne roztwory buforowe (DIN 19267)</a> na stronie 179 dla wartości pH określonego buforu w różnych temperaturach.
<b>Calibration to a X value (Kalibracja do wartości X)</b>	Umożliwia ręczne skalowanie wartości zmierzonych pH
<b>Data introduction (Wprowadzenie danych)</b>	Ręczne wprowadzanie stałej sondy.
<b>Theoretical calibration (Kalibracja teoretyczna)</b>	Podstawianie danych kalibracji teoretycznej w temperaturze 25 °C (77 °F).

## Procedura kalibracyjna

Ta procedura opisuje w sposób ogólny użycie ciekłych roztworów do kalibracji. Więcej informacji można znaleźć w dokumentacji dołączonej do każdej sondy.

**Uwaga:** Podczas kalibracji roztwory należy mieszać. Zobacz [Zmiana ustawień mieszania](#) na stronie 173, aby dowiedzieć się więcej na temat ustawień mieszadła.

1. Nalej roztwory buforowe lub kalibracyjne do etykietowanych zlewki kalibracyjnych.
2. W menu głównym użyj ▲ lub ▼ oraz ◀ i ▶, aby wybrać parametr CALIBRATION (KALIBRACJA). Potwierdź.
3. Jeśli jest wymagane, wybierz identyfikator Operator ID (1 do 10) i potwierdź.
4. Wypłukaną sondę wodą dejonizowaną włóż do pierwszej zlewki kalibracyjnej. Upewnij się, że na membranie nie ma bąbelków powietrza.
5. Naciśnij ✓, aby rozpocząć kalibrację.
6. Naciśnij ✓, aby dokonać pomiaru pierwszego roztworu kalibracyjnego. Wyświetla się opcja wyboru następnego r-ru kalibracyjnego.

7. Wypłukaną sondę wodą dejonizowaną włóż do drugiej zlewki kalibracyjnej. Upewnij się, że na membranie nie ma bąbelków powietrza.
8. Naciśnij ✓, aby dokonać pomiaru drugiego roztworu kalibracyjnego. Wyświetla się opcja wyboru następnego r-ru kalibracyjnego.
9. Wypłukaną sondę wodą dejonizowaną włóż do trzeciej zlewki kalibracyjnej. Upewnij się, że na membranie nie ma bąbelków powietrza.
10. Naciśnij ✓, aby dokonać pomiaru trzeciego roztworu kalibracyjnego. W przypadku poprawnej kalibracji na ekranie wyświetla się komunikat Calibration OK, a następnie ekran powraca do menu głównego.  
**Uwaga:** Jeśli podłączona jest drukarka, otwiera się menu drukowania, aby wydrukować wyniki.

## Wyświetlanie danych kalibracji

Dane aktualnej kalibracji są wyświetlane.

1. W menu głównym użyj ▲ lub ▼, aby wybrać DATA LOGGER (REJESTRATOR DANYCH). Potwierdź.
2. Wybierz Display data (Wyświetlane dane).
3. Wybierz Calibration data (Dane kalibracji) i potwierdź naciskając ✓. Aktualne dane kalibracji są wyświetlane.
  - pH–wartości zbczka i przesunięcia są wyświetlane przemiennie z odchyleniem (w %) i temperaturą kalibracji.
  - ORP–zmierzona wartość mV i temperatura kalibracji są wyświetlane.
  - Przewodność–stała naczynka i temperatura kalibracji dla każdego wzorca są wyświetlane.

## Ustawianie przypomnienia o kalibracji

Przypomnienie o kalibracji można ustawiać w zakresie 0 do 23 godzin lub 1–7 dni (domyślnie: 1 dzień). Na ekranie wyświetla się czas pozostały do nowej kalibracji.

**Uwaga:** W przypadku ustawienia 0 dni, przypomnienie o kalibracji jest wyłączone.

1. W menu głównym użyj ▲ lub ▼, aby wybrać CALIBRATION (KALIBRACJA). Potwierdź.
2. Użyj ▲, aby wprowadzić menu kalibracji.
3. Użyj ▲ lub ▼, aby wybrać menu Cal. frequency (Częstotliwość kalibracji) i potwierdź.
4. Użyj ◀ i ▶, aby przejść do następnego etapu i użyj ▲ lub ▼ w celu zmiany wartości. Potwierdź.  
Naciśnij ✓, aby rozpocząć kalibrację.

## Pomiary na próbkach

W przypadku każdej sondy obowiązują określone wymagania dotyczące etapu przygotowań i procedury wykonywania pomiarów z użyciem próbek.

1. W menu głównym użyj ▲ lub ▼ oraz ◀ i ▶, aby wybrać MEASURE (POMIAR). Potwierdź.
2. Użyj ▲, aby zmienić wymienione ustawienia. Potwierdź każdy zapis.

Opcja	Opis
<b>Resolution (Rozdzielczość)</b>	Wybierz rozdzielczość: 1, 0,1, 0,01 (domyślnie) lub 0,001
<b>Measure (Pomiar)</b>	Stabilny—wybierz By stability Criterion (Według kryterium stabilności): Fast (Szybki) (zmiana < 0,02 pH w 6 s), Standard (zmiana < 0,01 pH w 6 s) lub Strict (Dokładny) (zmiana < 0,002 pH w 6 s). In continuous—wprowadź przedział czasu w menu In continuous Acquis. interval (data storage or printing data) (Gromadzenie danych w trybie ciągłym, w równych odstępach czasu (zapis danych lub wydruk danych)). By time—wprowadź przedział czasu, wymagany do zapisywania danych lub drukowania danych.

Opcja	Opis
<b>Display mV (Wyświetlanie mV)</b>	Wyświetlanie mV—wybierz YES (TAK) lub NO (NIE), aby wyświetlić mV.
<b>Limits (Ograniczenia)</b>	Limits—wybierz YES (TAK) lub NO (NIE). YES: wprowadź górną i dolną granicę. W przypadku pomiaru poza przyjętymi granicami słycać sygnał dźwiękowy ostrzeżenia. Format wyjściowy raportu wyświetla znak A obok wartości pomiarowej zmierzonej poza przyjętymi granicami.
<b>Isopotential (Izopotencjalny)</b>	Isopotential—zmień wartość Isopotential pH w menu Data introduction (Wprowadzenie danych). Wybierz Calculate (Oblicz), aby ponownie przeprowadzić kalibrację próbki.

3. Naciśnij ✓, aby rozpocząć pomiar.

**Uwaga:** Jeśli nie nastąpi stabilizacja pomiaru po upływie 120 sekund, miernik przełącza się w tryb ciągłego pomiaru.

## Zaawansowana obsługa

### Zmiana jednostek miar

Jednostki miar można zmieniać dla każdego kanału oddzielnie.

1. W menu głównym użyj ▲ lub ▼, aby wybrać SYSTEM. Potwierdź.
2. Użyj ▲ lub ▼, aby wybrać jednostki miar i potwierdź.
3. Wybierz Channel 1 (Kanał 1) lub Channel 2 (Kanał 2) i potwierdź.
4. Wybierz ORP (mV), pH lub ISE i potwierdź.

### Stosowanie ID próbek

Tag ID próbki stosuje się w celu powiązania odczytów z konkretnymi lokalizacjami próbki. Jeśli przypisano, zapisane dane będą zawierały to ID.

1. W menu głównym użyj ▲ lub ▼, aby wybrać SYSTEM. Potwierdź.
2. Użyj ▲ lub ▼, aby wybrać Sample ID (ID próbki) i potwierdź.

- Użyj ▲ lub ▼, aby wybrać

Opcja	Opis
<b>Automatic</b> (Automatycznie)	Do każdej próbki zostanie automatycznie przydzielony numer kolejny.
<b>Manual (Ręcznie)</b>	Aby wprowadzić nazwę identyfikatora ID próbki (maksymalnie 15 znaków) przed dokonaniem pomiaru, wymagana jest klawiatura lub skaner kodu paskowego.

## Wybór danych wyjściowych

Dane można zapisać i przesłać na drukarkę lub komputer.

- W menu głównym użyj ▲ lub ▼, aby wybrać SYSTEM. Potwierdź.
- Użyj ▲ lub ▼, aby wybrać Data Output (Dane wyjściowe) i potwierdź.
- Użyj ▲ lub ▼, aby wybrać

Opcja	Opis
<b>Deactivated</b> (Dezaktywowano)	Wybierz Deactivated (dezaktywowano), jeśli nie podłączono drukarki ani komputera.
<b>For Printer (Dla drukarki)</b>	Wybierz Dot matrix printer (Drukarka igłowa) lub Thermal printer (Drukarka termiczna).
<b>For Computer (Dla komputera)</b>	Wybierz Terminal, LabCom lub LabCom Easy. Oprogramowanie LabCom Software zainstalowane na komputerze steruje kilkoma modułami, między innymi miernikami pH i przewodności, automatycznymi biurkami i próbnikami. Oprogramowanie LabCom Easy obsługuje na komputerze PC dane pH i przewodności.

## Ustawianie daty i godziny

Datę i godzinę można zmienić w menu Date / Time (Data i godzina).

- W menu głównym użyj ▲ lub ▼, aby wybrać SYSTEM. Potwierdź.
- Użyj ▲ lub ▼, aby wybrać Date / Time (Data i godzina) i potwierdź.

- Użyj ◀ i ▶, aby przejść do następnego etapu i użyj ▲ lub ▼ w celu zmiany wartości. Potwierdź.  
Bieżąca data i godzina wyświetla się na ekranie.

## Ustawianie kontrastu wyświetlacza

- W menu głównym użyj ▲ lub ▼, aby wybrać SYSTEM. Potwierdź.
- Użyj ▲ lub ▼, aby wybrać Display contrast (Kontrast wyświetlacza) i potwierdź.
- Użyj ◀ i ▶, aby ustawić kontrast wyświetlacza i potwierdź.

## Ustawianie temperatury

Pomiar temperatury można ustawić w temperaturze 25 °C (77 °F) i/lub 85 °C (185 °F), aby zwiększyć dokładność.

- Włóż sondę i termometr wzorcowy do pojemnika z wodą o temperaturze w przybliżeniu równej 25 °C i poczekaj, aż temperatura ustabilizuje się.
- Porównaj odczyt temperatury na mierniku z odczytem termometru wzorcowego. Różnica jest wartością korekty miernika. Przykład: termometr wzorcowy: 24,5 °C; miernik: 24,3 °C. Wartość korekty: 0,2 °C.
- Wprowadź wartość korekty dla odczytu 25 °C:
  - W menu głównym użyj ▲ lub ▼, aby wybrać SYSTEM. Potwierdź.
  - Użyj ▲ lub ▼, aby wybrać Readjust temp. (Ponowne ustawienie temperatury) i potwierdź.
  - Wybierz Channel 1 (Kanał 1) lub Channel 2 (Kanał 2) i potwierdź. Temperatura w kanale 1 jest mierzona w naczyniu pomiaru przewodności, a w kanale 2 przy użyciu sondy pH. Jeśli naczynie pomiaru przewodności nie jest podłączone, wartość temperatury wprowadza się ręcznie lub miernik korzysta z temperatury zmierzonej w kanale 2.
  - Użyj ▲ lub ▼, aby wybrać wartość 25 °C i potwierdź.
  - Używając klawiszy strzałek wprowadź ustaloną wartość dla 25 °C. Potwierdź.



4. Włóż sondę i termometr wzorcowy do pojemnika z wodą o temperaturze w przybliżeniu równej 85 °C i poczekaj, aż temperatura ustabilizuje się.
5. Porównaj odczyt temperatury na mierniku z odczytem termometru wzorcowego. Różnica jest wartością korekty miernika.
  - a. Użyj ▲ lub ▼, aby wybrać wartość 85 °C i potwierdź.
  - b. Używając klawiszy strzałek wprowadź ustawioną wartość dla 85 °C. Potwierdź.
  - c. Wybierz Save changes (Zapisz zmiany) i potwierdź.

## Zmiana ustawień mieszania

W menu Stirring (Mieszanie) można włączać mieszadło magnetyczne i zmieniać prędkość mieszania.

1. W menu głównym użyj ▲ lub ▼, aby wybrać SYSTEM. Potwierdź.
2. Użyj ▲ lub ▼, aby wybrać menu Stirring (Mieszanie) i potwierdź.
3. Aby włączyć/wyłączyć mieszadło, naciśnij ✓.
4. Po włączeniu mieszadła użyj ▲ lub ▼, aby zmienić prędkość mieszania w %.
 

**Uwaga:** Użyj ▲ lub ▼, aby zmienić prędkość mieszadła zarówno podczas kalibracji, jak i pomiaru.

## Włączanie lub wyłączanie mieszadła

Pierwsze mieszadło – Stirrer 1 obsługuje Channel 1 (Kanał 1) oraz 2. Drugie mieszadło – Stirrer 2 można podłączyć do kanału 2. Mieszadło 2 można uaktywnić, postępując według następujących etapów.

1. W menu głównym użyj ▲ lub ▼, aby wybrać SYSTEM. Potwierdź naciskając ✓.
2. Użyj ▲ lub ▼, aby wybrać Stirrer N.2 (Mieszadło nr 2) i potwierdź naciskając ✓.
3. Użyj ▲ lub ▼, aby wybrać YES (TAK) w celu włączenia mieszadła 2.
 

**Uwaga:** Wybierz NO (NIE), aby wyłączyć mieszadło 2.

## Zmiana jednostek temperatury

Jednostkami temperatury są °C lub °F.

1. W menu głównym użyj ▲ lub ▼, aby wybrać SYSTEM. Potwierdź.
2. Użyj ▲ lub ▼, aby wybrać Temperature units (Jednostki temperatury) i potwierdź.
3. Użyj ▲ lub ▼, aby wybrać pomiędzy jednostkami Celsius (°C) lub Fahrenheit (°F) i potwierdź.

## Rejestrator danych

### Wyświetlane dane

Rejestr wyświetlanych danych obejmuje Measurement data (Dane pomiarowe), Electrode report (Raport elektrody) i Calibration data (Dane kalibracji). Zapamiętane dane można przesłać na drukarkę lub PC. Po zapelnieniu rejestru danych (zapisaniu 400 pozycji, czyli punktów danych) zapisanie nowej pozycji skutkuje usunięciem najstarszej pozycji już zapisanej w rejestrze.

1. Użyj ◀ i ▶, aby wybrać Channel 1 (Kanał 1) lub Channel 2 (Kanał 2) i potwierdź.
2. W menu głównym użyj ▲ lub ▼, aby wybrać SYSTEM. Potwierdź.
3. Użyj ▲ lub ▼, aby wybrać DATA LOGGER (REJESTRATOR DANYCH) i potwierdź.
4. Użyj ▲ lub ▼, aby wybrać Display data (Wyświetlane dane) i potwierdź.
5. Użyj ▲ lub ▼, aby wybrać

Opcja	Opis
Measurement data	Dane pomiarowe—dane pomiarowe próbki są za każdym razem automatycznie zapamiętywane.
Electrode report	Raport elektrody—automatyczne zapamiętywanie historii elektrody i warunków pomiaru
Calibration data	Dane kalibracji—automatyczne zapamiętywanie aktualnej kalibracji

## Usuwanie danych

Całość danych pomiarowych lub rejestr raportu elektrody można usunąć, kasując dane, które już zostały przesłane na drukarkę lub komputer PC.

1. W menu głównym użyj ▲ lub ▼, aby wybrać SYSTEM. Potwierdź.
2. Użyj ▲ lub ▼, aby wybrać DATA LOGGER (REJESTRATOR DANYCH) i potwierdź.
3. Użyj ▲ lub ▼, aby wybrać Erase (Kasuj) i potwierdź.
4. Użyj ▲ lub ▼, aby wybrać Measurement data (Dane pomiarowe) lub Electrode report (Raport elektrody) i potwierdź. Potwierdź ponownie, aby usunąć dane.  
Usuwany jest od razu cały rejestr.

## Wysyłanie danych na drukarkę lub komputer PC

### POWIADOMIENIE

Wybierz w pierwszej kolejności Data output (printer or pc) (Dane wyjściowe (drukarka lub pc)), aby uzyskać dostęp do menu Print (Drukuj) (zobacz [Wybór danych wyjściowych](#) na stronie 172).

**Uwaga:** Zobacz [Format wyjściowy raportu](#) na stronie 174, aby wybrać format wyjściowy raportu.

1. W menu głównym użyj ▲ lub ▼, aby wybrać SYSTEM. Potwierdź.
2. Użyj ▲ lub ▼, aby wybrać DATA LOGGER (REJESTRATOR DANYCH) i potwierdź.
3. Użyj ▲ lub ▼, aby wybrać menu Print (Drukuj) i potwierdź. Wybierz jedną z wymienionych opcji i potwierdź naciskając ✓, aby wydrukować dane: Measurement data (Dane pomiarowe), Electrode data (Dane elektrody), Calibration data (Dane kalibracji) lub Instrument condit. (Stan urządzenia).

## Format wyjściowy raportu

### POWIADOMIENIE

Wybierz w pierwszej kolejności Data output (printer or PC) (Dane wyjściowe (drukarka lub PC)), aby uzyskać dostęp do menu Type of report (Format raportu) (zobacz [Wybór danych wyjściowych](#) na stronie 172).

Można wybrać różne formaty danych wyjściowych raportu, odpowiednio do podłączonej drukarki lub komputera.

1. W menu głównym użyj ▲ lub ▼, aby wybrać SYSTEM. Potwierdź.
2. Użyj ▲ lub ▼, aby wybrać Type of report (Format raportu) i potwierdź.
3. Użyj ▲ lub ▼, aby wybrać pomiędzy podłączoną drukarką, komputerem czy terminalem

Opcja	Opis
<b>Reduced (Ograniczony)</b>	Wybierz Several (Kilka) lub One sample (Jedna próbka) jako format wyjściowy
<b>Standard (Standardowy)</b>	Wybierz Several (Kilka) lub One sample (Jedna próbka) jako format wyjściowy. Wybierz Several: <b>Users:</b> W wydruku raportu pojawia się nazwa użytkownika (17 znaków). <b>Header:</b> Nazwa firmy zostanie dodana w nagłówku (40 znaków) i pojawia się w wydruku raportu. <b>Identify sensor:</b> Model czujnika i numer seryjny czujnika zostaną dodane i pojawiają się w wydruku raportu.
<b>GLP</b>	Wybierz Several (Kilka) lub One sample (Jedna próbka) jako format wyjściowy. Wybierz Several: <b>Users:</b> W wydruku raportu pojawia się nazwa użytkownika (17 znaków). <b>Header:</b> Nazwa firmy zostanie dodana w nagłówku (40 znaków) i pojawia się w wydruku raportu. <b>Identify sensor:</b> Model czujnika i numer seryjny czujnika zostaną dodane i pojawiają się w wydruku raportu.

4. Gdy podłączony jest komputer i zaznaczona opcja LabCom Easy (zobacz [Wybór danych wyjściowych](#) na stronie 172, aby dowiedzieć się więcej), użyj ▲ lub ▼, aby wybrać

Opcja	Opis
Users (Użytkownicy)	W wydruku raportu pojawia się nazwa użytkownika (17 znaków).
Identify sensor (Identyfikacja czujnika)	Model czujnika i numer seryjny czujnika zostaną dodane i pojawiają się w wydruku raportu.

## Konserwacja

### ▲ OSTRZEŻENIE

Wiele zagrożeń. Nie demontować urządzenia w celu konserwacji lub serwisowania. Skontaktuj się z producentem, gdy komponent wewnętrzny wymaga czyszczenia lub naprawy.

### ▲ UWAGA

Zagrożenie obrażeniami ciała. Tylko wykwalifikowany personel powinien przeprowadzać prace opisane w tym rozdziale instrukcji obsługi.

## Czyszczenie urządzenia

### POWIADOMIENIE

Do czyszczenia urządzenia, w tym wyświetlacza oraz wyposażenia pomocniczego, nigdy nie należy stosować takich środków czyszczących, jak terpentyna, aceton lub podobne produkty.

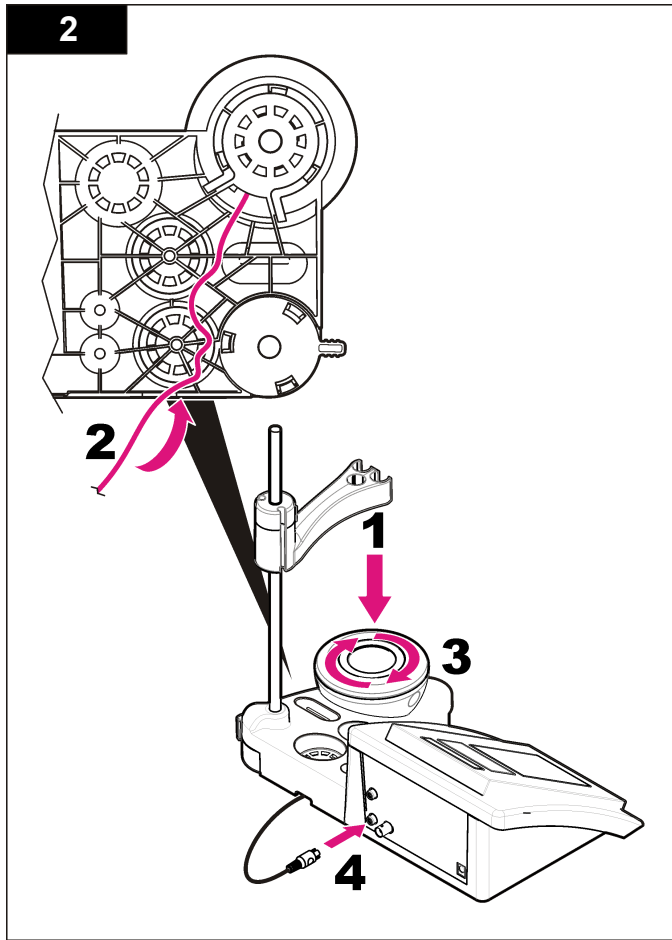
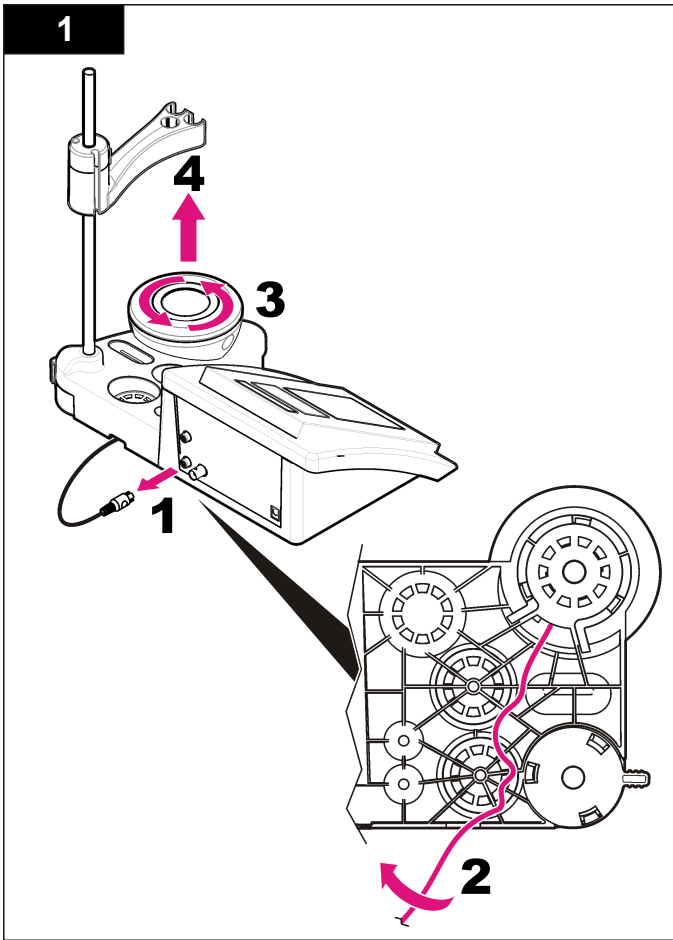
Zewnętrzne powierzchnie urządzenia czyścić wilgotną szmatką i łagodnym roztworem mydła.

## Czyszczenie sondy

Sondę czyścić w razie potrzeby. Zobacz [Rozwiązywanie problemów](#) na stronie 177, aby dowiedzieć się więcej na temat czyszczenia. Więcej informacji na temat konserwacji sondy można znaleźć w dołączonej do niej dokumentacji.

## Wymiana mieszadła magnetycznego

Jeśli nie można uruchomić mieszadła, postępuj kolejno według ponumerowanych etapów, aby wymienić mieszadło magnetyczne.



## Rozwiązywanie problemów

Poniższa tabela przedstawia często występujące komunikaty problemów lub symptomy, przyczyny problemów oraz działania naprawcze.

**Tabela 1 Ostrzeżenia i błędy dotyczące kalibracji**

Błąd/Ostrzeżenie	Rozwiązanie
Asymmetry > 58 mV (Asymetria > 58 mV)	Zbocze poza zakresem (przyjęte wartości $\pm 58$ mV). Wykonaj ponownie kalibrację. Podłącz nową sondę.
Buffer or electrode in poor conditions. (Roztwór buforowy lub elektroda w złym stanie.)	Przeprowadź kontrolę sondy: wyczyść sondę (zobacz <a href="#">Czyszczenie sondy</a> na stronie 175, aby dowiedzieć się więcej); upewnij się, że na membranie nie ma bąbelków powietrza. Potrząśnij sondą, tak jak termometrem; podłącz inną sondę w celu sprawdzenia, czy problem jest związany z sondą, czy raczej z miernikiem.  Przeprowadź kontrolę roztworu buforowego: upewnij się, że użyty bufor odpowiada buforowi podanemu w konfiguracji.; upewnij się, że temperatura konfiguracji odpowiada specyfikacji; użyj nowego roztworu buforowego.
BUFFER NOT RECOGNIZED (NIE MOŻNA ROZPOZNAĆ BUFORU)	Wykonaj ponownie kalibrację.  Przeprowadź kontrolę sondy: wyczyść sondę (zobacz <a href="#">Czyszczenie sondy</a> na stronie 175, aby dowiedzieć się więcej); upewnij się, że na membranie nie ma bąbelków powietrza. Potrząśnij sondą, tak jak termometrem; podłącz inną sondę w celu sprawdzenia, czy problem jest związany z sondą, czy raczej z miernikiem.
Sens. (a) < 70%	Przeprowadź kontrolę roztworu buforowego: upewnij się, że użyty bufor odpowiada buforowi podanemu w konfiguracji.; upewnij się, że temperatura konfiguracji odpowiada specyfikacji; użyj nowego roztworu buforowego.

**Tabela 1 Ostrzeżenia i błędy dotyczące kalibracji (ciąg dalszy)**

Błąd/Ostrzeżenie	Rozwiązanie
UNSTABLE READING (NIESTABILNY ODCZYT)  Time t> 100 s	Wykonaj ponownie kalibrację.  Przeprowadź kontrolę sondy: wyczyść sondę (zobacz <a href="#">Czyszczenie sondy</a> na stronie 175, aby dowiedzieć się więcej); upewnij się, że na membranie nie ma bąbelków powietrza. Potrząśnij sondą, tak jak termometrem; podłącz inną sondę w celu sprawdzenia, czy problem jest związany z sondą, czy raczej z miernikiem.  Upewnij się, że membrana i diafragma są właściwie zanurzone w próbce.
Check temperature. (Sprawdź temperaturę.)  Check the electrode (Sprawdź elektrodę)	Sprawdź temperaturę podaną w konfiguracji.  Przeprowadź kontrolę sondy: wyczyść sondę (zobacz <a href="#">Czyszczenie sondy</a> na stronie 175, aby dowiedzieć się więcej); upewnij się, że na membranie nie ma bąbelków powietrza. Potrząśnij sondą, tak jak termometrem; podłącz inną sondę w celu sprawdzenia, czy problem jest związany z sondą, czy raczej z miernikiem.
Electrode in poor conditions. (Elektroda w złym stanie)	Przeprowadź kontrolę sondy: wyczyść sondę (zobacz <a href="#">Czyszczenie sondy</a> na stronie 175, aby dowiedzieć się więcej); upewnij się, że na membranie nie ma bąbelków powietrza. Potrząśnij sondą, tak jak termometrem; podłącz inną sondę w celu sprawdzenia, czy problem jest związany z sondą, czy raczej z miernikiem.
Check the electrode (Sprawdź elektrodę)	
SAME BUFFERS (TE SAME BUFORY)	Wykonaj ponownie kalibrację.  Przeprowadź kontrolę sondy: wyczyść sondę (zobacz <a href="#">Czyszczenie sondy</a> na stronie 175, aby dowiedzieć się więcej); upewnij się, że na membranie nie ma bąbelków powietrza. Potrząśnij sondą, tak jak termometrem; podłącz inną sondę w celu sprawdzenia, czy problem jest związany z sondą, czy raczej z miernikiem.  Przeprowadź kontrolę roztworu buforowego: Użyj nowego roztworu buforowego.

**Tabela 2 Ostrzeżenia i błędy dotyczące pomiarów**

Błąd/Ostrzeżenie	Rozwiązanie
pH 12.78 19°C	Wykonaj ponownie kalibrację.
pH out of range (pH poza zakresem)	Przeprowadź kontrolę sondy: wyczyść sondę (zobacz <a href="#">Czyszczenie sondy</a> na stronie 175, aby dowiedzieć się więcej); upewnij się, że na membranie nie ma bąbelków powietrza. Potrząśnij sondą, tak jak termometrem; podłącz inną sondę w celu sprawdzenia, czy problem jest związany z sondą, czy raczej z miernikiem.
Temp out of range °C (Temperatura °C poza zakresem)	Przeprowadź kontrolę czujnika temperatury. Podłącz inną sondę w celu sprawdzenia, czy problem jest związany z sondą, czy raczej z miernikiem.
Time > 60 s	Upewnij się, że membrana i diafragma są właściwie zanurzone w próbce.
Time > 150 s	Przeprowadź kontrolę temperatury.
Time > 300 s	Przeprowadź kontrolę sondy: wyczyść sondę (zobacz <a href="#">Czyszczenie sondy</a> na stronie 175, aby dowiedzieć się więcej); upewnij się, że na membranie nie ma bąbelków powietrza. Potrząśnij sondą, tak jak termometrem; podłącz inną sondę w celu sprawdzenia, czy problem jest związany z sondą, czy raczej z miernikiem.
10.389mg/l >>>>> 00012 00:13	Pomiar ISE: Mierzona wartość jest wyższa niż najwyższy wzorzec użyty w kalibracji. Wykonaj ponownie kalibrację.
0.886mg/l <<<<<< 00018 00:11	Pomiar ISE: Mierzona wartość jest niższa niż najniższy wzorzec użyty w kalibracji. Wykonaj ponownie pomiar.

## Części zamienne i akcesoria

**Uwaga:** Numery produktów i części mogą być różne w różnych regionach. Skontaktuj się z odpowiednim dystrybutorem albo znajdź informacje kontaktowe w witrynie internetowej firmy.

## Części zamienne

Opis	Numer pozycji
Miernik sensION+ PH3 Lab pH z akcesoriami, bez sondy	LPV2000.98.0002
Miernik sensION+ PH31 Lab pH, GLP, z akcesoriami, bez sondy	LPV2100.98.0002
Miernik sensION+ MM340 Lab pH & Ion, GLP, 2-kanalowy, z akcesoriami, bez sondy	LPV2200.98.0002
Miernik sensION+ EC7 Lab przewodności, z akcesoriami, bez sondy	LPV3010.98.0002
Miernik sensION+ EC71 Lab przewodności, GLP, z akcesoriami, bez sondy	LPV3110.98.0002
Miernik sensION+ MM374, 2 channel Lab, GLP, akcesoria, bez sond	LPV4110.98.0002

## Materiały eksploatacyjne

Opis	Numer pozycji
Roztwór buforowy pH 4,01, 125 ml	LZW9460.99
Roztwór buforowy pH 7,00, 125 ml	LZW9461.98
Roztwór buforowy pH 10,01, 125 ml	LZW9470.99
Roztwór buforowy pH 4,01, 250 ml	LZW9463.99
Roztwór buforowy pH 7,00, 250 ml	LZW9464.98
Roztwór buforowy pH 10,01, 250 ml	LZW9471.99
Roztwór buforowy pH 4,01, 1000 ml	LZW9466.99
Roztwór buforowy pH 7,00, 1000 ml	LZW9467.98
Roztwór buforowy pH 10,01, 1000 ml	LZW9472.99
Roztwór elektrolitu (KCl 3M), 125 ml	LZW9510.99
Roztwór elektrolitu (KCl 3M), 250 ml	LZW9500.99

## Części zamienne i akcesoria (ciąg dalszy)

Opis	Numer pozycji
Roztwór elektrolitu (KCl 3M), 50 ml	LZW9509.99
Roztwór elektrolitu 0,1 M, 125 ml	LZW9901.99
Roztwór enzymów	2964349
Roztwór pepsyny do czyszczenia	2964349
Roztwór do czyszczenia elektrody	2965249
Roztwór 0,1 N HCl	1481253

## Akcesoria

Opis	Numer pozycji
Drukarka termiczna, RS232, do sensION+ benchtop	LZW8201.99
Papier termiczny do drukarki LZW8201, opakowanie z 5 rolkami	LZW9117.99
Drukarka igłowa, RS232, do mierników sensION+	LZW8200.99
Papier zwykły do drukarki LZW8200, opakowanie z 10 rolkami	LZW9000.99
Taśma do drukarki LZW8200, 3 jednostki	LZW9001.99
LabCom Easy PC SW, do sensION+ GLP, CD, kabel, adapter USB	LZW8997.99
LabCom PC SW, do sensION+ GLP, CD, kabel, adapter USB	LZW8999.99
Kabel RS232, do mierników sensION+ benchtop	LZW9135.99
Kabel RS232 do sensION+ benchtop, razem z adapterem USB	LZW9135USB.99
Mieszadło magnetyczne z uchwytem sondy, do sensION+ MM benchtop	LZW9319.99
Zlewki 3x50 ml do wydruków kalibracji benchtop pH	LZW9110.98

## Części zamienne i akcesoria (ciąg dalszy)

Opis	Numer pozycji
Uchwyt na trzy czujniki, do mierników sensION+ benchtop	LZW9321.99
Uchwyt i zacisk do trzech czujników	LZW9155.99
Cylinder ze szkła pyreksowego, ciągłe pomiary przepływu	LZW9118.99
Ochroniacz PP, do przechowywania elektrody	LZW9161.99

## Roztwory wzorcowe

### Techniczne roztwory buforowe (DIN 19267)

Tabela 3 przedstawia wartości pH i ORP (mV) określonych zestawów buforów w różnych temperaturach.

Tabela 3 Wartości pH, ORP (mV) i temperatury

Temperatura		pH					mV
°C	°F						
0	32	2,01	4,01	7,12	9,52	10,30	—
10	50	2,01	4,00	7,06	9,38	10,17	245
20	68	2,00	4,00	7,02	9,26	10,06	228
<b>25</b>	<b>77</b>	<b>2,00</b>	<b>4,01</b>	<b>7,00</b>	<b>9,21</b>	<b>10,01</b>	<b>220</b>
30	86	2,00	4,01	6,99	9,16	9,96	212
40	104	2,00	4,03	6,97	9,06	9,88	195
50	122	2,00	4,06	6,97	8,99	9,82	178
60	140	2,00	4,10	6,98	8,93	9,76	160
70	158	2,01	4,16	7,00	8,88	—	—
80	176	2,01	4,22	7,04	8,83	—	—
90	194	2,01	4,30	7,09	8,79	—	—

**Roztwory buforowe (DIN 19266)**

Tabela 4 przedstawia wartości pH i ORP (mV) określonych zestawów buforów w różnych temperaturach.

**Tabela 4 Wartości pH, ORP (mV) i temperatury**

Temperatura		pH					mV	
°C	°F							
5	32	1,668	4,004	6,951	7,087	9,395	10,245	13,207
10	50	1,670	4,000	6,923	7,059	9,332	10,179	13,003
20	68	1,675	4,001	6,881	7,016	9,225	10,062	12,627
<b>25</b>	<b>77</b>	<b>1,679</b>	<b>4,006</b>	<b>6,865</b>	<b>7,000</b>	<b>9,180</b>	<b>10,012</b>	<b>12,454</b>
30	86	1,683	4,012	6,853	6,987	9,139	9,966	12,289
40	104	1,694	4,031	6,838	6,970	9,068	9,889	11,984
50	122	1,707	4,057	6,833	6,964	9,011	9,828	11,705
60	140	1,723	4,085	6,836	6,968	8,962	—	11,449
70	158	1,743	4,126	6,845	6,982	8,921	—	—
80	176	1,766	4,164	6,859	7,004	8,885	—	—
90	194	1,792	4,205	6,877	7,034	8,850	—	—



## Specifikationer

Specifikationer kan ändras utan föregående meddelande.

Specifikation	Tekniska data
Mått	35 x 20 x 11 cm (13,78 x 7,87 x 4,33 tum)
Vikt	1 100 g (2,43 lb)
Mätarens hölje	IP42
Strömförsörjning (extern)	100–240 V, 0,4 A, 47–63 Hz
Mätarens skyddsklass	Klass II
Förvaringstemperatur	–15 till +65 °C (5 till +149 °F)
Drifttemperatur	0 till 40 °C (41 till 104 °F)
Driftsfuktighet	< 80 % (icke-kondenserande)
Upplösning	pH: 0,1/0,01/0,001, ORP: 0,1/1 mV, ISE: programmerbar, temperatur: 0,1 °C (0,18 °F)
Mätfel (± 1 siffra)	pH: ≤ 0,002, ORP: ≤ 0,2 mV, temperatur: ≤ 0,2 °C (≤ 0,36 °F)
Reproducerbarhet (± 1 siffra)	pH: ± 0,001, ORP: ± 0,1 mV, temperatur: ± 0,1 °C (± 0,18 °F)
Datalagring	330 resultat och de 9 senaste kalibreringarna
Anslutningar	2 kombinerade eller indikatorelektrod: BNC-anslutning (Imp. >10 <sup>12</sup> Ω); 2 referenselektroder: banankontakt; ATC typ Pt 1000: banan- eller telefonkontakt magnetorrörare: RCA-kontakt; 2 magnetorrörare: RCA-kontakt
Temperaturkorrigering	Manuell, Pt 1000 temperaturelektrod (ATC), isopotential pH programmerbar, standardvärde 7,00
Låsning av mätningsdisplay	Kontinuerlig mätning, enligt stabilitet
Display	Flytande kristaller, bakgrundsbelyst, 128 x 64 punkter

Specifikation	Tekniska data
Tangentbord	PET med skyddande behandling
Certifiering	CE

## Allmän information

Reviderade upplagor finns på tillverkarens webbsida.

## Säkerhetsinformation

### ANMÄRKNING:

Tillverkaren tar inget ansvar för skador till följd av att produkten används på fel sätt eller missbrukas. Det omfattar utan begränsning direkta skador, tillfälliga skador eller följdskadorna. Tillverkaren avsäger sig allt ansvar i den omfattning gällande lag tillåter. Användaren är ensam ansvarig för att identifiera kritiska användningsrisker och installera lämpliga mekanismer som skyddar processen vid eventuella utrustningsfel.

Läs igenom hela handboken innan instrumentet packas upp, monteras eller startas. Följ alla faro- och försiktighetshänvisningar. Om dessa anvisningar inte följs kan användaren utsättas för fara eller utrustningen skadas.

Kontrollera att skyddet som ges av den här utrustningen inte är skadat. Utrustningen får inte användas eller installeras på något annat sätt än så som specificeras i den här handboken.

## Anmärkning till information om risker

### ▲ FARA

Indikerar en potentiellt eller överhängande riskfylld situation som kommer att leda till livsfarliga eller allvarliga skador om den inte undviks.

### ▲ VARNING

Indikerar en potentiellt eller överhängande riskfylld situation som kan leda till livsfarliga eller allvarliga skador om situationen inte undviks.

## ⚠ FÖRSIKTIGHET



Anger en potentiell risksituation som kan resultera i lindrig eller måttlig skada.

## ANMÄRKNING:

Indikerar en potentiellt riskfylld situation som kan medföra att instrumentet skadas. Information som användaren måste ta hänsyn till vid hantering av instrumentet.

## Säkerhetsmärkning

Beakta samtliga skyltar och märken på instrumentet. Personskador eller skador på instrumentet kan uppstå om de inte beaktas. En symbol på instrumentet hänvisar till en varnings- eller riskhänvisning i handboken.

	Denna symbol, om den finns på instrumentet, refererar till bruksanvisningen angående drifts- och/eller säkerhetsinformation.
	Efter den 12 augusti 2005 får elektrisk utrustning som har den här symbolen inte längre avyttras på offentliga avfallsanläggningar i Europa. I överensstämmelse med europeiska lokala och nationella föreskrifter (EU-direktiv 2002/98/EC), måste europeiska användare av elektrisk utrustning nu returnera gammal eller förbrukad utrustning till tillverkaren för kostnadsfri avyttring. <b>Observera:</b> För korrekt återvinning, kontakta din tillverkare eller leverantör för instruktioner om inlämning av förbrukad utrustning, elektriska tillbehör tillhandahållna av tillverkaren och alla tillvalsdelar.

## Produktöversikt

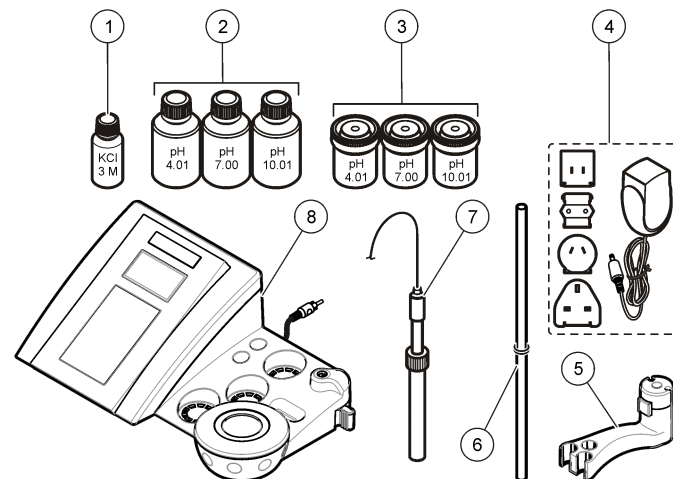
sensION™+ mätare används med elektroder för mätning av olika parametrar i vatten.

The sensION™+ MM340-mätaren har två mätkanaler som mäter pH, ORP (mV) eller ISE (koncentration) med en selektiv elektrod. Mätdata kan sparas och skickas till en skrivare eller till en PC.

## Produktens delar

Se [Figur 1](#) för att kontrollera att alla delar finns med. Om några komponenter saknas eller är skadade ska du genast kontakta tillverkaren eller en återförsäljare.

Figur 1 Mätarens delar

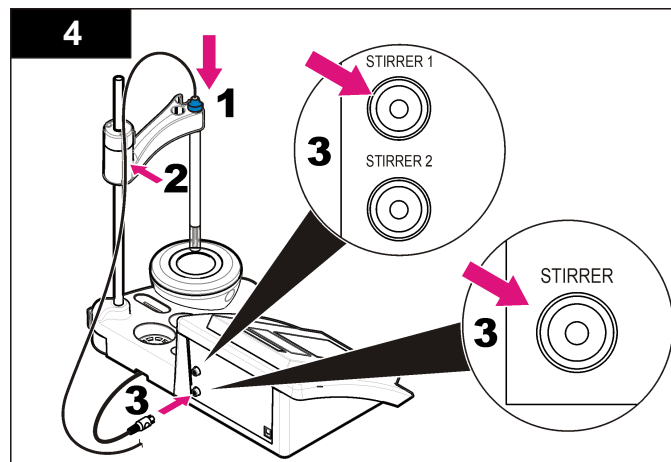
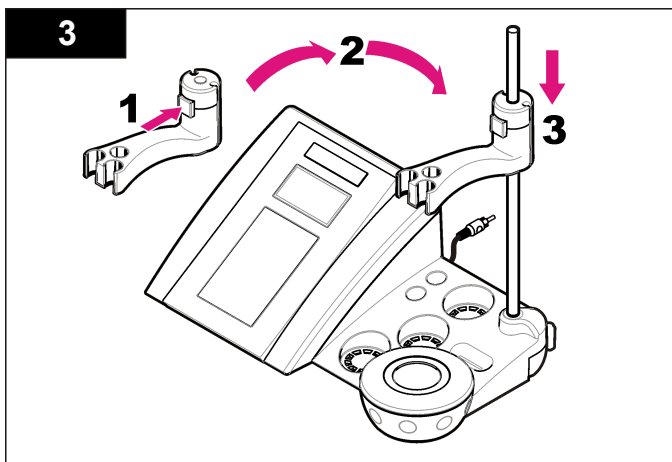
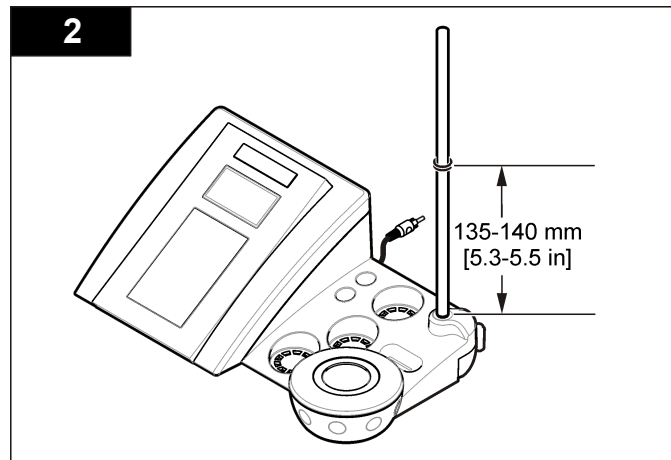
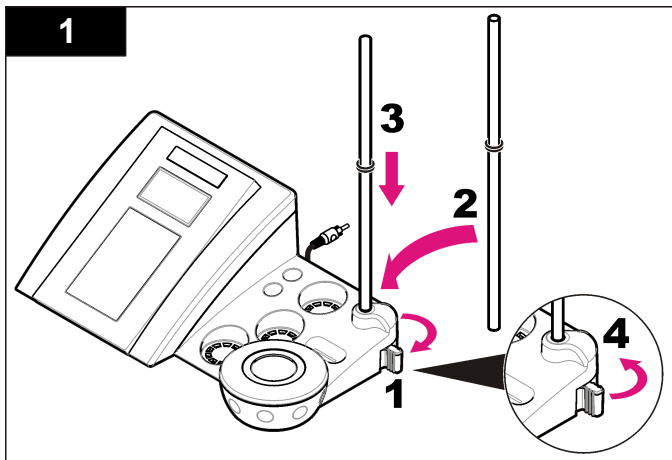


1 Elektrolyt för elektroden	5 Elektrodhållare
2 Buffertlösningar (pH 4,01, pH 7,00 och pH 10,01)	6 Stång med o-ring
3 Kalibreringsbägare (med magnetist på insidan)	7 Elektrod (ingår endast i färdiga satser)
4 Kraftförsörjning	8 Mätare

## Installation

### Montera elektrodhållaren

Montera elektrodhållaren och anslut magnetomröraren genom att följa anvisningarna i nummerordning.



## Anslut till AC-ström

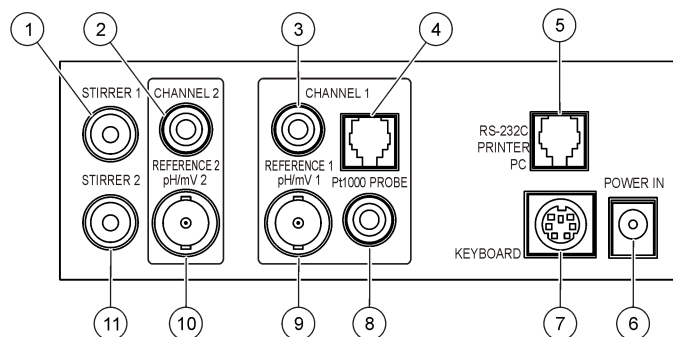
**⚠ FARA**

Risk för dödande elchock. Om instrumentet används utomhus eller på våta platser måste en jordfelsbrytare (GFCI/GFI) användas vid anslutning av instrumentet till huvudströmkällan.

Mätaren kan strömförsörjas med AC-ström med den universella strömadaptern.

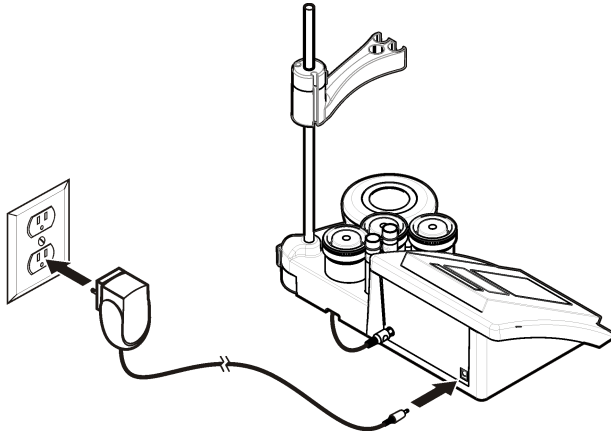
1. Välj korrekt adapterkontakt för eluttaget i adaptersatsen.
2. Anslut den universella strömadaptern till mätaren (Figur 2).
3. Anslut den universella strömadaptern till ett AC-uttag (Figur 3).
4. Slå på mätaren.

**Figur 2** Kontaktpanel



1 Kontakt för magnetorrörare 1, kanal 1	7 Tangentbord för PC, DIN-anslutning av minityp
2 Kontakt för referenselektrod (separata elektroder), kanal 1	8 Kontakt för temperaturelektrod, kanal 2
3 Kontakt för referenselektrod (separata elektroder), kanal 2	9 Kombinerad pH-elektrodkontakt (eller indikator), kanal 2
4 Kontakt för separat temperaturelektrod, kanal 2	10 Kombinerad pH-elektrodkontakt (eller indikator), kanal 1
5 RS-232 för skrivare eller PC-anslutning	11 Kontakt för magnetorrörare 2, kanal 2
6 Kraftförsörjning	

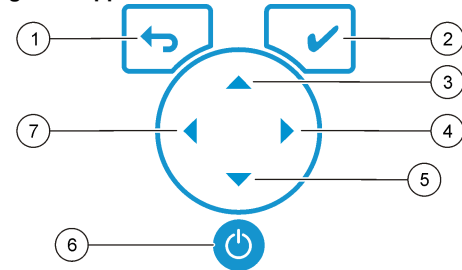
Figur 3 AC-strömanslutning



## Användargränssnitt och navigering

### Användargränssnitt

#### Beskrivning av knappsatsen

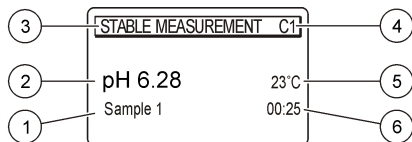


1 Retur knapp: avbryt eller lämna aktuell meny och gå tillbaka till föregående meny	5 Nedåtpil: bläddra till andra alternativ, ändra ett värde
2 Mät knapp: bekräfta valt alternativ	6 PÅ/AV: slå på eller stänga av mätaren
3 Uppåtpil: bläddra till andra alternativ, ändra ett värde	7 Vänsterpil: växla mellan kanal 1 och kanal 2, ange siffror och bokstäver
4 Högerpil: växla mellan kanal 1 och kanal 2, ange siffror och bokstäver	

### Beskrivning av displayen.

Mätarens display visar koncentration, måttenheter, temperatur, kalibreringsstatus, användar-ID, prov-ID, datum och tid.

Figur 4 Visning på en skärm



1 Prov-ID	4 Provtemperatur (°C eller °F)
2 Mätenheter och värde (pH, ORP (mV) eller ISE)	5 Visuell måttimer
3 Mätläge eller tid och datum	

## Navigering

Använd för att återgå till föregående meny. Använd mätknappen för att göra en provmätning eller för att bekräfta alternativ. Använd pilknapparna för att bläddra till andra alternativ eller ändra ett värde. Använd pilknapparna och för att ändra en parameter. För varje uppgift finns specifika anvisningar.

## Starta instrumentet

### Sätt på och stäng av mätaren

#### ANMÄRKNING:

Kontrollera att elektroden är ansluten till mätaren innan mätaren slås på.

Tryck på för att slå på eller stänga av mätaren. Om mätaren inte slås på kontrollerar du att nätaggregatet har anslutits korrekt till ett utlugg.

## Byt språk

Språket väljs när mätaren slås på för första gången.

1. Välj ett språk i listan med hjälp av eller .
2. Bekräfta med . På mätskärmen visas DATA OUTPUT (utmatning av data).

3. Välj Deactivated (avaktiverad) om det inte finns någon skrivare eller kontorsdator ansluten. Bekräfta. Mer information om Data Output (utmatning av data) finns i [Välja utmatning av data](#) på sidan 189.

## Standardåtgärd

## Kalibrering

### ⚠ VARNING

Risk för kemikalieexponering. Följ laboratoriets säkerhetsprocedurer och använd all personlig skyddsutrustning som lämpar sig för de kemikalier som hanteras. I de aktuella materialsäkerhetsdatablad (MSDS) finns säkerhetsprotokoll.

## Inställningar för kalibrering

Kalibreringsinställningarna innehåller Calibration type (kalibreringstyp), Calibration frequency (kalibreringsfrekvens) och Display options (skärmalternativ).

1. På huvudmenyn använder du eller och väljer CALIBRATION (kalibrering). Bekräfta.
2. Gå till kalibreringsmenyn med .
3. Välj följande alternativ med eller .

Alternativ	Beskrivning
Stability C. (stabilitetskr.):	Kriterium för stabilitet – välj Fast (snabb), Standard eller Strict (noggrann)
Calibration type (kalibreringstyp)	Calibration type (kalibreringstyp) – välj Technical buffers (tekniska buffertar), DIN19266 Buffers (DIN19266-buffertar), User Buffers (användarbuffertar), To a X value (till ett värde X), data introduction (ange data) eller Theoretical calibration (teoretisk kalibrering). Mer information finns i <a href="#">Calibration types</a> .

Alternativ	Beskrivning
<b>Cal. frequency (kalibreringsfrekvens)</b>	Kalibreringspåminnelse – kan ställas in på mellan 0 och 7 dagar (standardvärde är dagligen). På skärmen visas den tid som återstår till nästa kalibrering. Mer information finns i <a href="#">Ställa in kalibreringspåminnelse</a> på sidan 188.
<b>Display mV (visa mV)</b>	Visa mV – välj YES (ja) eller NO (nej) om du vill eller inte vill visa mV.
<b>Standard 220 mV</b>	Standard 220 mV – kalibrera med en 220 mV standardlösning
<b>To a X value (till ett värde X)</b>	Till ett värde X – använd en specifik standardlösning. Justera värdet under kalibreringen.
<b>Data introduction (ange data)</b>	Kompensation genom infört värde – ange ett kompenserande värde
<b>Factory adjust (justera fabriksinställning)</b>	Justera fabriksinställning – ange kompensationsvärdet

## Kalibreringstyper

Du kan välja olika kalibreringstyper.

1. På huvudmenyn använder du ▲ eller ▼ och väljer CALIBRATION (kalibrering). Bekräfta.
2. Gå till kalibreringsmenyn med ▲.
3. Välj kalibreringstyp med ▲ eller ▼.

Alternativ	Beskrivning
<b>Technical buffers (tekniska buffertar)</b>	pH 2,0, 4,01, 7,00, 9,21 och 10,01 vid 25 °C (77 °F)
<b>DIN19266 Buffers (DIN19266-buffertar)</b>	pH 1,679, 4,006, 6,865, 7,000, 9,180, 10,012 och 12,454

Alternativ	Beskrivning
<b>User Buffers (användarbuffertar)</b>	Väljs när varken tekniska eller DIN19266-buffertar används. I <a href="#">Tekniska buffertlösningar (DIN 19267)</a> på sidan 196 finns pH-värden för specifika buffertlösningar vid olika temperaturer.
<b>Calibration to a X value (kalibrering till ett värde X)</b>	För manuell justering av skalans värd för uppmätt pH.
<b>Data introduction (ange data)</b>	Ange manuell elektrodkonstant.
<b>Theoretical calibration (teoretisk kalibrering)</b>	Elektrodens kalibreringsdata ersätts vid 25 °C (77 °F).

## Kalibreringsprocedur

Den här proceduren är avsedd för allmän användning av lösningar för vätskekalibrering. Mer information finns i dokumentationen som medföljer varje elektrod.

**Observera:** Lösningarna ska röras om under kalibreringen. Mer information om inställningar för omrörning finns i [Ändra inställningarna för omrörning](#) på sidan 190.

1. Håll buffertarna eller kalibreringslösningarna i de märkta kalibreringsbägarna.
2. På huvudmenyn använder du ▲ eller ▼ och ◀ och ▶ och väljer parametern CALIBRATION (kalibrering). Bekräfta.
3. Vid behov, välj Operator ID (tekniker-ID) (1 till 10) och bekräfta.
4. Skölj elektroden med avjoniserat vatten och placera elektroden i den första kalibreringsbägaren. Kontrollera att det inte finns några luftbubblor i membranet.
5. Starta kalibreringen genom att trycka på ✓.
6. Tryck på ✓ för att mäta den första kalibreringslösningen. Nästa kalibreringslösning visas.
7. Skölj elektroden med avjoniserat vatten och placera elektroden i den andra kalibreringsbägaren. Kontrollera att det inte finns några luftbubblor i membranet.
8. Tryck på ✓ för att mäta den andra kalibreringslösningen.

Nästa kalibreringslösning visas.

- Skölj elektroden med avjoniserat vatten och placera elektroden i den tredje kalibreringsbägaren. Kontrollera att det inte finns några luftbubblor i membranet.
- Tryck på ✓ för att mäta den tredje kalibreringslösningen. När kalibreringen är godkänd visas Calibration OK (kalibrering OK) kort på skärmen som sedan återgår till huvudmenyn.

**Observera:** När en skrivare är ansluten öppnas skrivarmenyn och resultatet kan skrivas ut.

## Visa kalibreringsdata

Du kan visa data från den senaste kalibreringen.

- På huvudmenyn använder du ▲ eller ▼ och väljer DATA LOGGER. Bekräfta.
- Välj Display data (visa data).
- Välj Calibration data (kalibreringsdata) och bekräfta med ✓. Data för den senaste kalibreringen visas.
  - pH – värden för lutning och intercept visas alternerande med avvikelsen (i %) och kalibreringstemperaturen.
  - ORP – det uppmätta mV-värdet och kalibreringstemperaturen visas.
  - Konduktivitet – cellkonstanten och kalibreringstemperaturen för varje standard visas.

## Ställa in kalibreringspåminnelse

Kalibreringspåminnelsen kan ställas in på mellan 0 och 23 timmar eller 1-7 dagar (standard är 1 dag). På skärmen visas den tid som återstår till nästa kalibrering.

**Observera:** Om du väljer 0 dagar stängs kalibreringspåminnelsen av.

- På huvudmenyn använder du ▲ eller ▼ och väljer CALIBRATION (kalibrering). Bekräfta.
- Gå till kalibreringsmenyn med ▲.
- Använd ▲ eller ▼ och välj Cal. frequency (kalibreringsfrekvens). Bekräfta.

- Använd ◀ och ▶ för att gå till nästa steg och använd ▲ eller ▼ för att ändra ett värde. Bekräfta. Starta kalibreringen genom att trycka på ✓.

## Provmätning

Varje givare har specifika förberedelsesteg och procedurer för provtagning.

- På huvudmenyn använder du ▲ eller ▼ och ◀ och ▶ och väljer MEASURE (mäta). Bekräfta.
- Ändra följande inställningar med ▲. Bekräfta varje inmatning.

Alternativ	Beskrivning
<b>Upplösning</b>	Välj noggrannhet: 1, 0,1, 0,01 (standard) eller 0,001
<b>Mät</b>	Stability (stabilitet) – välj stabilitetskriterium: Fast (snabb) (avvikelse < 0,02 pH på 6 s), Standard (avvikelse < 0,01 pH på 6 s) eller Strict (noggrann) (avvikelse < 0,002 pH på 6 s). In continuous (kontinuerligt) – ange tidsintervall för kontinuerlig insamling (lagring eller utskrift av data). By time (enligt tidsintervall) – ange tidsintervall för lagring eller utskrift av data.
<b>Display mV</b>	Visa mV – välj YES (ja) eller NO (nej) om du vill eller inte vill visa mV.
<b>Limits</b>	Gränsvärden – välj YES (ja) eller NO (nej). YES (ja): Ange övre och nedre gränsvärden. En ljudsignal hörs när mätningen ligger utanför gränsvärdena. I rapporten visas ett A bredvid det uppmätta värdet om mätningen låg utanför gränsvärdena.
<b>Isopotential</b>	Isopotential – ändra isopotentialvärdet i Data introduction (ange data). Kalibrera elektroden igen genom att välja Calculate (beräkna).

- Starta mätningen genom att trycka på ✓.

**Observera:** Om mätningen inte stabiliseras inom 120 sekunder går mätaren automatiskt över till kontinuerlig mätning.



## Avancerade funktioner

### Ändra måtenheter

Måtenheterna kan ändras individuellt för varje kanal.

1. På huvudmenyn använder du ▲ eller ▼ och väljer SYSTEM. Bekräfta.
2. Välj Measurement units (måtenheter) med ▲ eller ▼ och bekräfta.
3. Välj Channel 1 (kanal 1) eller Channel 2 (kanal 2) och bekräfta.
4. Välj ORP (mV), pH eller ISE och bekräfta.

### Använd ett prov-ID.

Etiketten prov-ID används för att koppla mätningar till ett särskilt provställe. Om ID tilldelats kommer lagrad data att inkludera detta ID.

1. På huvudmenyn använder du ▲ eller ▼ och väljer SYSTEM. Bekräfta.
2. Använd ▲ eller ▼ och välj Sample ID (prov-ID). Bekräfta.
3. Använd ▲ eller ▼ och välj

Alternativ	Beskrivning
<b>Automatisk</b>	Ett löpande nummer tilldelas automatiskt till varje prov.
<b>Handbok</b>	Du måste använda ett tangentbord eller en streckodsläsare för att kunna ange provets ID före mätningen (högst 15 tecken).

### Välja utmatning av data

Data kan sparas eller skickas till en skrivare eller till en PC.

1. På huvudmenyn använder du ▲ eller ▼ och väljer SYSTEM. Bekräfta.
2. Använd ▲ eller ▼ och välj Data Output (utmatning av data). Bekräfta.

3. Använd ▲ eller ▼ och välj

Alternativ	Beskrivning
<b>Deactivated (avaktiverad)</b>	Välj Deactivated (avaktiverad) om det inte finns någon skrivare eller kontorsdator ansluten.
<b>For Printer (till skrivare)</b>	Välj Dot matrix printer (matrisskrivare) eller Thermal printer (termoskrivare).
<b>For Computer (till dator)</b>	Välj Terminal, LabCom eller LabCom Easy. Med programvaran LabCom kan du styra flera moduler, pH- och konduktivitetsmätare, automatiska byretter, provtagare och så vidare från en dator. Med programvaran LabCom Easy kan du skicka pH- och konduktivitetsdata till en PC.

### Ändra datum och tid

Datum och tid går att ändra via menyn Date / Time (datum och tid).

1. På huvudmenyn använder du ▲ eller ▼ och väljer SYSTEM. Bekräfta.
2. Välj Date / Time (datum och tid) med ▲ eller ▼ och bekräfta.
3. Använd ◀ och ▶ för att gå till nästa steg och använd ▲ eller ▼ för att ändra ett värde. Bekräfta.  
Aktuellt datum och tid visas på skärmen.

### Justera skärmens kontrast

1. På huvudmenyn använder du ▲ eller ▼ och väljer SYSTEM. Bekräfta.
2. Använd ▲ eller ▼ och välj Display contrast (kontrastinställning). Bekräfta.
3. Ställ in skärmkontrasten med ◀ och ▶ och bekräfta.

### Justera temperaturen

Temperaturmätningen kan justeras vid 25 °C (77 °F) och/eller 85 °C (185 °F) för högre noggrannhet.

1. Placera elektroden och en referenstermometer i en behållare med vatten vid cirka 25 °C och låt temperaturen stabiliseras.
2. Jämför temperaturvärdet på mätaren med värdet på referenstermometern. Skillnaden är justeringsvärdet för mätaren. Exempel: referenstermometern: 24,5 °C; mätaren 24,3 °C. Justeringsvärde: 0,2 °C.
3. Ange justeringsvärdet för avläsningen vid 25 °C:
  - a. På huvudmenyn använder du ▲ eller ▼ och väljer SYSTEM. Bekräfta.
  - b. Använd ▲ eller ▼ och välj Readjust temp. (justera temperaturen) och bekräfta sedan.
  - c. Välj Channel 1 (kanal 1) eller Channel 2 (kanal 2) och bekräfta. Temperaturen för kanal 1 mäts av konduktivitetscellen och kanal 2 mäts av pH-elektroden. Om det inte finns någon konduktivitetscell ansluten måste du ange temperaturvärdet manuellt eller så kan temperaturvärdet för kanal 2 användas för mätaren.
  - d. Använd ▲ eller ▼ och välj 25 °C. Bekräfta.
  - e. Ange justeringsvärdet för 25 °C med hjälp av pilknapparna. Bekräfta.
4. Placera elektroden och en referenstermometer i en behållare med vatten vid cirka 85 °C och låt temperaturen stabiliseras.
5. Jämför temperaturvärdet på mätaren med värdet på referenstermometern. Skillnaden är justeringsvärdet för mätaren.
  - a. Använd ▲ eller ▼ och välj 85 °C. Bekräfta.
  - b. Ange justeringsvärdet för 85 °C med hjälp av pilknapparna. Bekräfta.
  - c. Välj Save changes (spara ändringar) och bekräfta.

## Ändra inställningarna för omrörning

Du kan aktivera magnetomröraren och omrörningshastigheten går att ändra i menyn Stirring (omrörning).

1. På huvudmenyn använder du ▲ eller ▼ och väljer SYSTEM. Bekräfta.

2. Välj Stirring (omrörning) med hjälp av ▲ eller ▼. Bekräfta.
3. Slå av eller på omrörningen genom att trycka på ✓.
4. När omrörningen är aktiverad kan du använda ▲ eller ▼ till att ändra omrörningshastigheten i %.

**Observera:** Under kalibreringen och mätningen går det att ändra omrörningshastigheten med hjälp av ▲ eller ▼.

## Starta och stäng av omröraren

Omrörare 1 arbetar med kanal 1 och 2 (Stirrer 1). En andra omrörare kan anslutas till kanal 2 (Stirrer 2). Omrörare 2 aktiveras på följande sätt.

1. På huvudmenyn använder du ▲ eller ▼ och väljer SYSTEM. Bekräfta med ✓.
2. Använd ▲ eller ▼ och välj Stirrer N.2 (omrörare 2). Bekräfta med ✓.
3. Använd ▲ eller ▼ och välj YES (ja) för att starta omrörare 2.  
**Observera:** Välj NO (nej) om du vill stänga av omrörare 2.

## Ändra temperaturenheterna

Temperaturenheterna går att ändra till Celsius eller till Fahrenheit.

1. På huvudmenyn använder du ▲ eller ▼ och väljer SYSTEM. Bekräfta.
2. Använd ▲ eller ▼ och välj Temperature units (temperaturenheter). Bekräfta.
3. Använd ▲ eller ▼ och välj Celsius eller Fahrenheit. Bekräfta.

## Datalogg

### Display data (visa data)

Display data log (visa datalogg) innehåller mätdata, elektrodrapport och kalibreringsdata. Sparade data kan skickas till en skrivare eller till en PC. När dataloggen är full (400 datapunkter), tas de äldsta datapunkterna bort när en ny datapunkt läggs till.

1. Använd ◀ och ▶ och välj Channel 1 (kanal 1) eller Channel 2 (kanal 2). Bekräfta.

2. På huvudmenyn använder du ▲ eller ▼ och väljer SYSTEM. Bekräfta.
3. Använd ▲ eller ▼ och välj DATA LOGGER och bekräfta.
4. Använd ▲ eller ▼ och välj Display data (visa data). Bekräfta.
5. Använd ▲ eller ▼ och välj

Alternativ	Beskrivning
<b>Measurement data (mätdata)</b>	Mätdata – sparas automatiskt varje gång ett prov mäts
<b>Electrode report (elektrodrapport)</b>	Elektrodrapport – här sparas automatiskt elektrodhistorik och mätförhållanden
<b>Calibration data (kalibreringsdata)</b>	Kalibreringsdata – här sparas automatiskt den aktuella kalibreringen

## Ta bort data

Alla mätdata och hela elektrodrapportloggen går att radera så att de data som har skickats till en skrivare eller en PC tas bort.

1. På huvudmenyn använder du ▲ eller ▼ och väljer SYSTEM. Bekräfta.
2. Använd ▲ eller ▼ och välj DATA LOGGER och bekräfta.
3. Använd ▲ eller ▼ och välj Erase (radera). Bekräfta.
4. Använd ▲ eller ▼ och välj Measurement data (mätdata) eller Electrode report (elektrodrapport). Bekräfta. Bekräfta igen för att alla data ska raderas.  
Hela loggen raderas på en gång.

## Skicka data till en skrivare eller till en dator

### ANMÄRKNING:

Först måste du välja typ av datautmatning (skrivare eller PC) så att menyn Print (skriv ut) visas (mer information finns i [Välja utmatning av data](#) på sidan 189).

**Observera:** Information om hur du väljer utmatningstyp för rapporterna finns i [Rapportdata](#) på sidan 191.

1. På huvudmenyn använder du ▲ eller ▼ och väljer SYSTEM. Bekräfta.
2. Använd ▲ eller ▼ och välj DATA LOGGER och bekräfta.
3. Använd ▲ eller ▼ och välj Print (skriv ut). Bekräfta. Om du vill skriva ut data väljer du ett av följande alternativ med ✓: Measurement data (mätdata), Electrode data (elektroddata), Calibration data (kalibreringsdata), Calibration report (kalibreringsrapport) eller Instrument condit (instrumentförh.).

## Rapportdata

### ANMÄRKNING:

Först måste du välja typ av datautmatning (skrivare eller PC) så att menyn Type of report (rapporttyp) visas (mer information finns i [Välja utmatning av data](#) på sidan 189).

När en skrivare eller en PC är ansluten kan du välja olika typer av utmatning av rapporten.

1. På huvudmenyn använder du ▲ eller ▼ och väljer SYSTEM. Bekräfta.
2. Välj Type of report (rapporttyp) med ▲ eller ▼ och bekräfta.
3. När en skrivare eller en dator och terminal är anslutna, välj med hjälp av ▲ eller ▼

Alternativ	Beskrivning
<b>Reduced (minskad)</b>	Välj Several (flera) eller One sample (ett prov) som utmatningsformat

Alternativ	Beskrivning
<b>Standard</b>	Välj Several (flera) eller One sample (ett prov) som utmatningsformat. Välj Several (flera): <b>Users (användare)</b> : Användarnamnet syns på den utskrivna rapporten (17 tecken). <b>Header (sidhuvud)</b> :Företagets namn kan läggas till som sidhuvud (40 tecken) och syns på den utskrivna rapporten. <b>Identify sensor (identifiera givare)</b> :Du kan lägga till givarmodell och givarens serienummer. Då syns dessa uppgifter på den utskrivna rapporten.
<b>GLP</b>	Välj Several (flera) eller One sample (ett prov) som utmatningsformat. Välj Several (flera): <b>Users (användare)</b> : Användarnamnet syns på den utskrivna rapporten (17 tecken). <b>Header (sidhuvud)</b> :Företagets namn kan läggas till som sidhuvud (40 tecken) och syns på den utskrivna rapporten. <b>Identify sensor (identifiera givare)</b> :Du kan lägga till givarmodell och givarens serienummer. Då syns dessa uppgifter på den utskrivna rapporten.

4. När en dator är ansluten och LabCom Easy (se [Välja utmatning av data](#) på sidan 189 för mer information) är vald, välj med ▲ eller ▼.

Alternativ	Beskrivning
<b>Users (användare)</b>	Användarnamnet syns på den utskrivna rapporten (17 tecken).
<b>Identify sensor (identifiera givare)</b>	Du kan lägga till givarmodell och givarens serienummer. Då syns dessa uppgifter på den utskrivna rapporten.

## Underhåll

### ▲ VARNING

Flera risker. Demontera inte instrumentet för underhåll eller service. Kontakta tillverkaren om de inre delarna behöver rengöras eller repareras.

### ▲ FÖRSIKTIGHET

Risk för personskada. Endast behörig personal får utföra de åtgärder som beskrivs i detta avsnitt.

## Rengör instrumentet

### ANMÄRKNING:

Använd aldrig rengöringsmedel som terpentin, aceton eller liknande produkter för att rengöra instrumentet, displayen eller tillbehören.

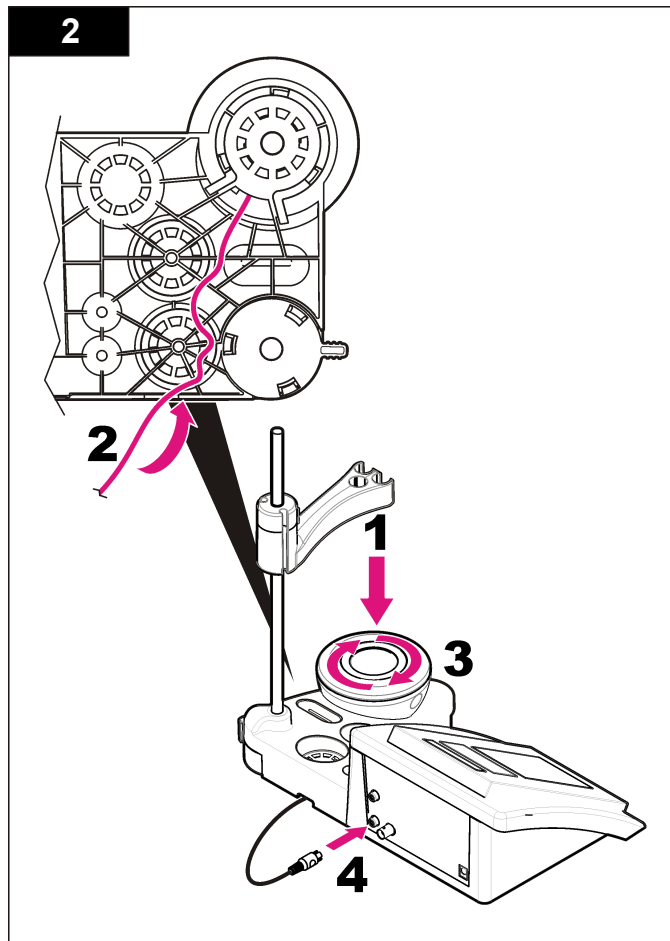
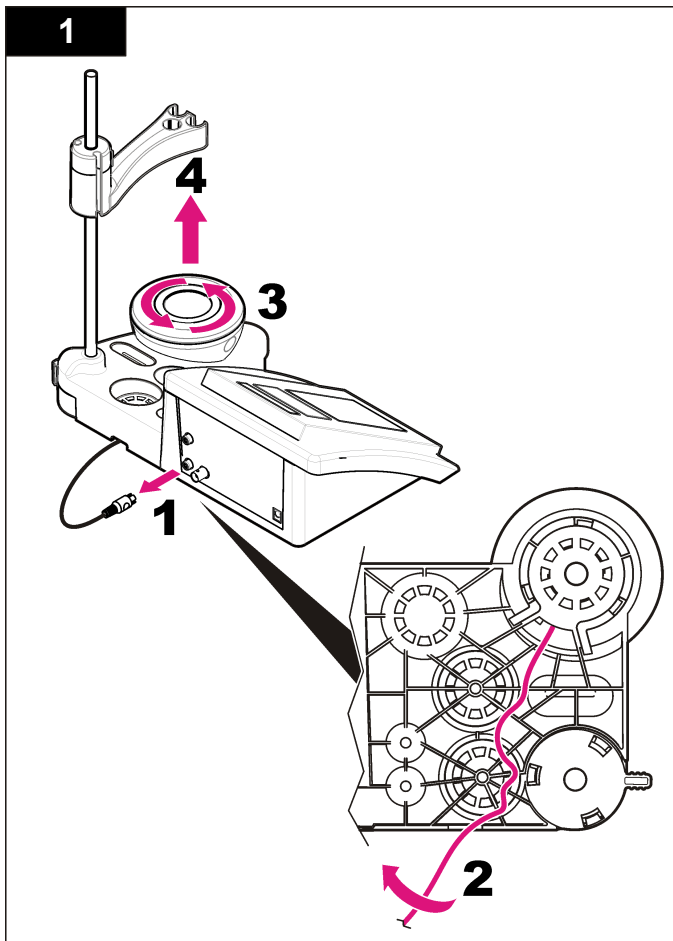
Rengör instrumentets utsida med en fuktig torkduk och en mild tvålösning.

## Rengör elektroden

Rengör elektroden vid behov. Mer information om rengöring finns i [Felsökning](#) på sidan 194. Mer information om hur elektroden ska skötas finns i elektroddokumentationen.

## Byta magnetomröraren

Om magnetomröraren inte startar, byt omröraren genom att följa de numererade anvisningarna.



## Felsökning

I följande tabell visas vanliga felmeddelanden eller symptom, möjliga orsaker och korrigerande åtgärder.

**Tabell 1 Kalibreringsvarningar och fel**

Fel/varning	Lösning
Asymmetry > 58 mV (asymmetri > 58 mV)	Lutning utanför intervallet (godkända värden $\pm 58$ mV). Kalibrera igen. Anslut en ny elektrod.
Buffer or electrode in poor conditions. (Buffert eller elektrod i dåligt skick.)	Undersök elektroden: Rengör elektroden (mer information finns i <a href="#">Rengör elektroden</a> på sidan 192); kontrollera att det inte finns luftbubblor i membranet. Skaka elektroden som en termometer. Undersök om felet finns i elektroden eller i mätaren genom att ansluta en annan elektrod eller mätare.  Undersök buffertlösningen: Kontrollera att bufferten som används stämmer med den buffert som anges i konfigurationen; kontrollera temperaturspecifikationen i konfigurationen; använd en ny buffertlösning.
BUFFER NOT RECOGNIZED (buffert känns inte igen)	Kalibrera igen.  Undersök elektroden: Rengör elektroden (mer information finns i <a href="#">Rengör elektroden</a> på sidan 192); kontrollera att det inte finns luftbubblor i membranet. Skaka elektroden som en termometer. Undersök om felet finns i elektroden eller i mätaren genom att ansluta en annan elektrod eller mätare.
Sens. (a) < 70%	Undersök buffertlösningen: Kontrollera att bufferten som används stämmer med den buffert som anges i konfigurationen; kontrollera temperaturspecifikationen i konfigurationen; använd en ny buffertlösning.

**Tabell 1 Kalibreringsvarningar och fel (fortsättning)**

Fel/varning	Lösning
UNSTABLE READING (instabil avläsning)  Time t > 100 s (tiden t > 100 s)	Kalibrera igen.  Undersök elektroden: Rengör elektroden (mer information finns i <a href="#">Rengör elektroden</a> på sidan 192); kontrollera att det inte finns luftbubblor i membranet. Skaka elektroden som en termometer. Undersök om felet finns i elektroden eller i mätaren genom att ansluta en annan elektrod eller mätare.  Kontrollera att membranet och diafragman är ordentligt nedsänkta i provet.
Check temperature. (Kontrollera temperaturen.)  Kontrollera elektroden	Kontrollera temperaturspecifikationen i konfigurationen.  Undersök elektroden: Rengör elektroden (mer information finns i <a href="#">Rengör elektroden</a> på sidan 192); kontrollera att det inte finns luftbubblor i membranet. Skaka elektroden som en termometer. Undersök om felet finns i elektroden eller i mätaren genom att ansluta en annan elektrod eller mätare.
Electrode in poor conditions. (Elektrod i dåligt skick.)	Undersök elektroden: Rengör elektroden (mer information finns i <a href="#">Rengör elektroden</a> på sidan 192); kontrollera att det inte finns luftbubblor i membranet. Skaka elektroden som en termometer. Undersök om felet finns i elektroden eller i mätaren genom att ansluta en annan elektrod eller mätare.
Check the electrode. (kontrollera elektroden)	
SAME BUFFERS (samma buffertar)	Kalibrera igen.  Undersök elektroden: Rengör elektroden (mer information finns i <a href="#">Rengör elektroden</a> på sidan 192); kontrollera att det inte finns luftbubblor i membranet. Skaka elektroden som en termometer. Undersök om felet finns i elektroden eller i mätaren genom att ansluta en annan elektrod eller mätare.  Undersök buffertlösningen: Använd en ny buffertlösning.

**Tabell 2 Mätvarningar och -fel**

Fel/varning	Lösning
pH 12.78 19°C	Kalibrera igen.
pH out of range (pH utanför område)	Undersök elektroden: Rengör elektroden (mer information finns i <a href="#">Rengör elektroden</a> på sidan 192); kontrollera att det inte finns luftbubblor i membranet. Skaka elektroden som en termometer. Undersök om felet finns i elektroden eller i mätaren genom att ansluta en annan elektrod eller mätare.
Temp out of range °C (temperatur utanför område)	Undersök temperaturgivaren. Anslut en annan elektrod för att kontrollera om problemet har med elektroden eller med mätaren att göra.
Time > 60 s (tid > 60 s)	Kontrollera att membranet och diafragman är ordentligt nedsänkta i provet.
Time > 150 s (tid > 150 s)	Kontrollera temperaturen.
Time > 300 s (tid > 300 s)	Undersök elektroden: Rengör elektroden (mer information finns i <a href="#">Rengör elektroden</a> på sidan 192); kontrollera att det inte finns luftbubblor i membranet. Skaka elektroden som en termometer. Undersök om felet finns i elektroden eller i mätaren genom att ansluta en annan elektrod eller mätare.
10.389 mg/L >>>>> 00012 00:13	ISE-mätning: Det uppmätta värdet är högre än högsta standard som används vid kalibrering. Mät igen.
0.886 mg/L <<<<<<< 00018 00:11	ISE-mätning: Det uppmätta värdet är lägre än lägsta standard som används vid kalibrering. Mät igen.

## Utbytesdelar och tillbehör

**Observera:** Produkt- och artikelnummer kan variera i olika försäljningsregioner. Kontakta lämplig återförsäljare eller se företagets webbsida för att få kontaktinformation.

## Reservdelar

Beskrivning	Produktnr.
sensION+ PH3, pH-mätare med tillbehör, utan elektrod, för laboratoriebruk	LPV2000.98.0002
sensION+ PH31 pH-mätare för laboratorier, GLP, med tillbehör, utan elektrod	LPV2100.98.0002
sensION+ MM340 pH- & jonmätare för laboratorier, GLP, 2 kanaler, med tillbehör, utan elektrod	LPV2200.98.0002
sensION+ EC7 konduktivitetmätare för laboratorier, med tillbehör, utan elektrod	LPV3010.98.0002
sensION+ EC71 konduktivitetmätare för laboratorier, GLP, med tillbehör, utan elektrod	LPV3110.98.0002
sensION+ MM374, 2 kanaler, labororiemätare, GLP, tillbehör, utan elektroder	LPV4110.98.0002

## Förbrukningsartiklar

Beskrivning	Produktnr.
pH-buffertlösning 4.01, 125 ml	LZW9460.99
pH-buffertlösning 7.00, 125 ml	LZW9461.98
pH-buffertlösning 10.01, 125 ml	LZW9470.99
pH-buffertlösning 4.01, 250 ml	LZW9463.99
pH-buffertlösning 7.00, 250 ml	LZW9464.98
pH-buffertlösning 10.01, 250 ml	LZW9471.99
pH-buffertlösning 4.01, 1 000 ml	LZW9466.99
pH-buffertlösning 7.00, 1 000 ml	LZW9467.98
pH-buffertlösning 10.01, 1 000 ml	LZW9472.99
Elektrolytlösning (KCl 3 M), 125 ml	LZW9510.99
Elektrolytlösning (KCl 3 M), 250 ml	LZW9500.99

## Utbytesdelar och tillbehör (fortsättning)

Beskrivning	Produktnr.
Elektrolytlösning (KCl 3 M), 50 ml	LZW9509.99
Elektrolytlösning 0,1 M, 125 ml	LZW9901.99
Ensymylösning	2964349
Pepsinrengöringslösning	2964349
Elektrorengöringslösning	2965249
0,1 N HCl-lösning	1481253

## Tillbehör

Beskrivning	Produktnr.
Termoskrivare, RS232, för sensION+, bordstyp	LZW8201.99
Termopapper till skrivare LZW8201, påse med 5 rullar	LZW9117.99
Matrisskrivare, RS232, för sensION+-instrument	LZW8200.99
Standardpapper till skrivare LZW8200, påse med 10 rullar	LZW9000.99
Band till skrivare LZW8200, 3 enheter	LZW9001.99
LabCom Easy PC-programvara, för sensION+ GLP, CD, kabel, USB-adapter	LZW8997.99
LabCom PC-programvara, för sensION+ GLP, CD, kabel, USB-adapter	LZW8999.99
RS232-kabel, för bänklacerade sensION+-instrument	LZW9135.99
RS232-kabel för bänklacerad sensION+, med USB-adapter	LZW9135USB.99
Magnetomrörare med hållare för givare, för bänklacerad sensION+ MM	LZW9319.99
3x50 ml märkta bägare för pH-kalibrering vid arbetsbänken	LZW9110.98

## Utbytesdelar och tillbehör (fortsättning)

Beskrivning	Produktnr.
Tre hållare för givare, för bänklacerade sensION+-instrument	LZW9321.99
Hållare och klämma för tre givare	LZW9155.99
Pyrexglaskammare, kontinuerlig flödesmätning	LZW9118.99
PP-skydd, elektrodförvaring	LZW9161.99

## Standardlösningar

### Tekniska buffertlösningar (DIN 19267)

I [Tabell 3](#) finns pH- och ORP-värden (mV) för specifika buffertlösningar vid olika temperaturer.

**Tabell 3 pH, ORP (mV) och temperaturvärden**

Temperatur		pH					mV
°C	°F						
0	32	2,01	4,01	7,12	9,52	10,30	—
10	50	2,01	4,00	7,06	9,38	10,17	245
20	68	2,00	4,00	7,02	9,26	10,06	228
<b>25</b>	<b>77</b>	<b>2,00</b>	<b>4,01</b>	<b>7,00</b>	<b>9,21</b>	<b>10,01</b>	<b>220</b>
30	86	2,00	4,01	6,99	9,16	9,96	212
40	104	2,00	4,03	6,97	9,06	9,88	195
50	122	2,00	4,06	6,97	8,99	9,82	178
60	140	2,00	4,10	6,98	8,93	9,76	160
70	158	2,01	4,16	7,00	8,88	—	—
80	176	2,01	4,22	7,04	8,83	—	—
90	194	2,01	4,30	7,09	8,79	—	—



## Buffertlösningar (DIN 19266)

I [Tabell 4](#) finns pH- och ORP-värden (mV) för specifika buffertlösningar vid olika temperaturer.

**Tabell 4 pH, ORP (mV) och temperaturvärden**

Temperatur		pH					mV	
°C	°F							
5	32	1,668	4,004	6,951	7,087	9,395	10,245	13,207
10	50	1,670	4,000	6,923	7,059	9,332	10,179	13,003
20	68	1,675	4,001	6,881	7,016	9,225	10,062	12,627
<b>25</b>	<b>77</b>	<b>1,679</b>	<b>4,006</b>	<b>6,865</b>	<b>7,000</b>	<b>9,180</b>	<b>10,012</b>	<b>12,454</b>
30	86	1,683	4,012	6,853	6,987	9,139	9,966	12,289
40	104	1,694	4,031	6,838	6,970	9,068	9,889	11,984
50	122	1,707	4,057	6,833	6,964	9,011	9,828	11,705
60	140	1,723	4,085	6,836	6,968	8,962	—	11,449
70	158	1,743	4,126	6,845	6,982	8,921	—	—
80	176	1,766	4,164	6,859	7,004	8,885	—	—
90	194	1,792	4,205	6,877	7,034	8,850	—	—

## Tekniset tiedot

Tekniset tiedot voivat muuttua ilman ennakoilmoitusta.

Ominaisuus	Lisätietoja
Mitat	35 x 20 x 11 cm (13,78 x 7,87 x 4,33 tuumaa)
Paino	1100 g (2,43 lb)
Mittarin kotelo	IP42
Virtälähde (ulkoinen)	100–240 V, 0,4 A, 47–63 Hz
Mittarin suojausluokka	Luokka II
Säilytyslämpötila	–15–+65 °C (5–+149 °F)
Käyttölämpötila	0–40 °C (41–104 °F)
Käyttöympäristön kosteus	< 80 % (tiivistymätön)
Resoluutio	pH: 0,1/0,01/0,001, ORP: 0,1/1 mV, ISE: ohjelmoitava, lämpötila: 0,1 °C (0,18 °F)
Mittausvirhe (± 1 yksikköä)	pH: ≤ 0,002, ORP: ≤ 0,2 mV, lämpötila: ≤ 0,2 °C (≤ 0,36 °F)
Toistettavuus (± 1 yksikköä)	pH: ± 0,001, ORP: ± 0,1 mV, lämpötila: ± 0,1 °C (± 0,18 °F)
Tietojen tallennus	330 mittaustulosta ja 9 edellistä kalibrointia
Liitännät	2 yhdistelmä- tai ilmaisinanturia: BNC-liitin (Imp. >10 <sup>12</sup> Ω); 2 referenssielektrodia: banaaniiliitin; A.T.C., tyyppi Pt 1000: banaani- tai puhelinliitin; magneettisekoittaja: RCA-liitin; 2 magneettisekoittajaa: RCA-liitin
Lämpötilakorjaus	Manuaalinen Pt 1000 -lämpötila-anturi (A.T.C.), ohjelmoitava tasapotentiaali-pH, vakioarvo 7,00
Mittauksen näytön lukitus	Jatkuva mittaus, vakauden mukaan
Näyttö	Nestekide, taustavalaistu, 128 x 64 kuvapistettä

Ominaisuus	Lisätietoja
Näppäimistö	PET, suojakäsitelty
Sertifointi	CE

## Yleistietoa

Päivitetty käyttöohjeet ovat saatavilla valmistajan verkkosivuilta.

## Turvallisuustietoa

### HUOMAUTUS

Valmistaja ei ole vastuussa mistään virheellisestä käytöstä aiheuvista vahingoista mukaan lukien rajoituksetta suorista, satunnaisista ja välillisistä vahingoista. Valmistaja sanoutuu irti tällaisista vahingoista soveltuviin lakien sallimiin rajoiksi. Käyttäjä on yksin vastuussa sovellukseen liittyvien kriittisten riskien arvioinnista ja sellaisten asianmukaisten mekanismien asentamisesta, jotka suojaavat prosesseja laitteen toimintahäiriön aikana.

Lue nämä käyttöohjeet kokonaan ennen tämän laitteen pakkauksesta purkamista, asennusta tai käyttöä. Kiinnitä huomiota kaikkiin vaara- ja varoitusmerkkeihin. Niiden laiminlyönti voi johtaa käyttäjän vakavaan vammaan tai laitteistovaurioon.

Jotta laitteen suojaus ei heikentyisi, sitä ei saa käyttää tai asentaa muuten kuin näissä ohjeissa kuvatulla tavalla.

## Vaaratilanteiden merkintä

### ▲ VAARA

Ilmoittaa mahdollisesti vaarallisesta tai välittömän vaaran aiheuttavasta tilanteesta, joka aiheuttaa kuoleman tai vakavan vamman.

### ▲ VAROITUS

Osoittaa potentiaalisesti tai uhkaavasti vaarallisen tilanteen, joka, jos sitä ei vältetä, voisi johtaa kuolemaan tai vakavaan vammaan.

### ▲ VAROTOIMI



Ilmoittaa mahdollisesti vaarallisesta tilanteesta, joka voi aiheuttaa lievän vamman.

## HUOMAUTUS

Ilmoittaa tilanteesta, joka saattaa aiheuttaa vahinkoa laitteelle. Tieto, joka vaatii erityistä huomiota.

### Varoitusarrat

Lue kaikki laitteen tarrat ja merkinnät. Henkilövamma tai laitevaurio on mahdollinen, jos ohjeet laiminlyödään. Symboli, jos merkitty kojeeseen, sisällytetään vaara- tai varoituslausuman kanssa käyttöohjeisiin.

	Tämä symboli, jos se on merkitty kojeeseen, viittaa kojeen käsikirjaan käyttö- ja/tai turvallisuustietoja varten.
	Sähkölaitteita, joissa on tämä symboli, ei saa vuoden 2005 elokuun 12. päivän jälkeen hävittää yleisissä eurooppalaisissa jätteiden hävitysjärjestelmissä. Eurooppalaisten ja kansainvälisten säädösten (EU-direktiivi 2002/98/EC) mukaan eurooppalaisten sähkölaitteiden käyttäjien on nyt palautettava vanhat ja käytöstä poistetut laitteet valmistajalle hävitettäväksi, eikä siitä saa koitua kuluja käyttäjälle. <b>Huomautus:</b> Kun haluat palauttaa laitteen kierrätettäväksi, ota yhteys laitteen valmistajaan tai toimittajaan ja kysy, miten käytöstä poistetut laitteet, valmistajalta saadut lisäsähkölaitteet ja kaikki lisäosat palautetaan hävitettäväksi asianmukaisesti.

### Tuotteen yleiskuvas

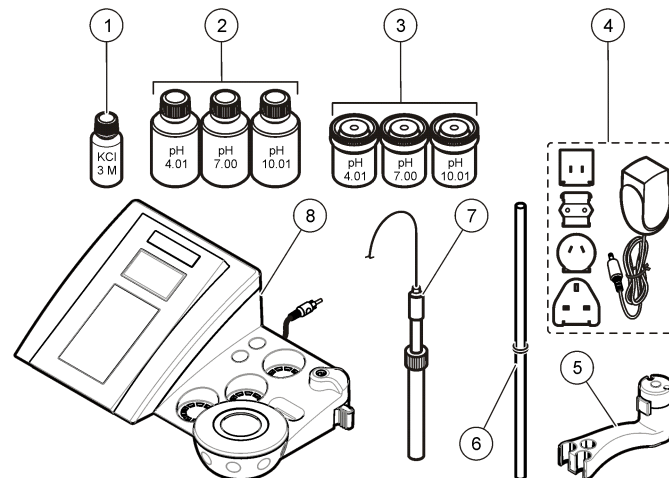
sensION™-mittareita käytetään anturien kanssa eri parametrien mittaamiseen vesinäytteistä.

sensION™+ MM340 -mittarissa on kaksi mittauskanavaa, joilla voidaan mitata pH-, ORP- (mV) ja ISE-arvoja (pitoisuus) selektiivisellä anturilla. Mittaustiedot voidaan tallentaa ja siirtää tulostimeen tai tietokoneeseen.

### Tuotteen osat

Lue kohta [Kuva 1](#) ja varmista, että kaikki osat ovat mukana pakkauksessa. Jos joku tarvikkeista puuttuu tai on viallinen, ota välittömästi yhteys valmistajaan tai toimittajaan.

Kuva 1 Mittarin osat

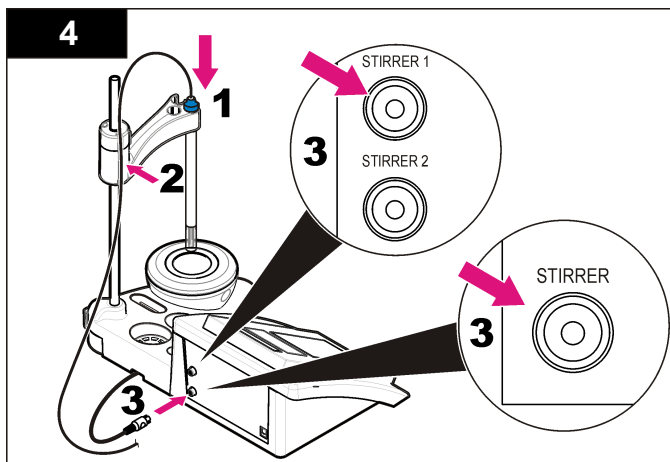
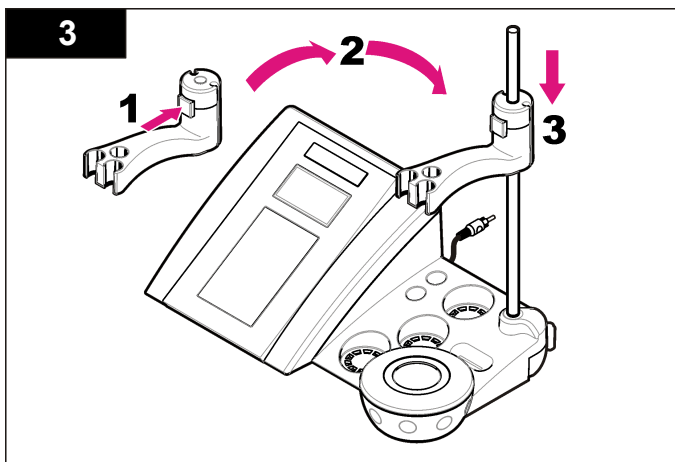
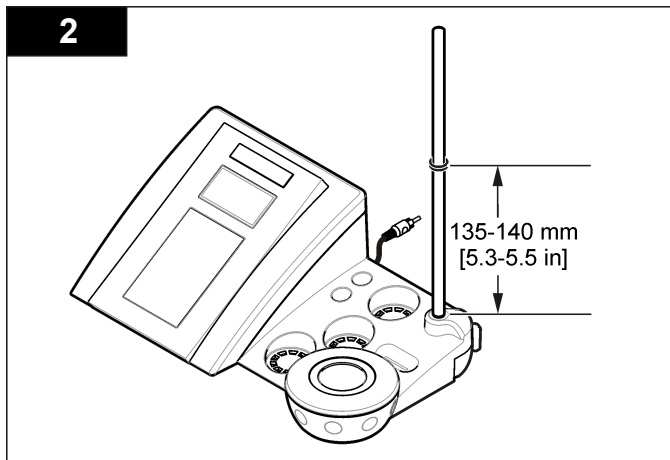
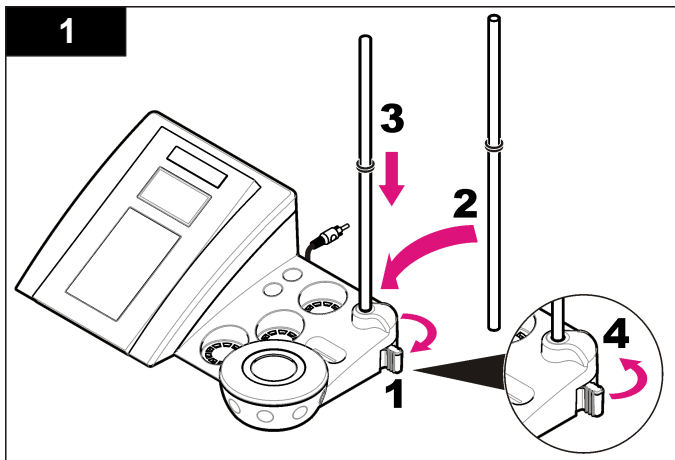


1 Elektrolyytti anturille	5 Anturipidike
2 Puskuriliuokset (pH 4,01, pH 7,00 ja pH 10,01)	6 Statiivi, jossa o-rengas
3 Kalibrintidekanterit (sisällä magneettisauva)	7 Anturi (sisältyy vain pakkauksiin)
4 Virtalähde	8 Mittari

### Asennus

#### Anturipidikkeen kokoaminen

Kokoa anturipidike ja liitä magneettisekoittaja noudattamalla ohjeen vaiheita numerjärjestyksessä.



## Kytkeminen verkkovirtaan

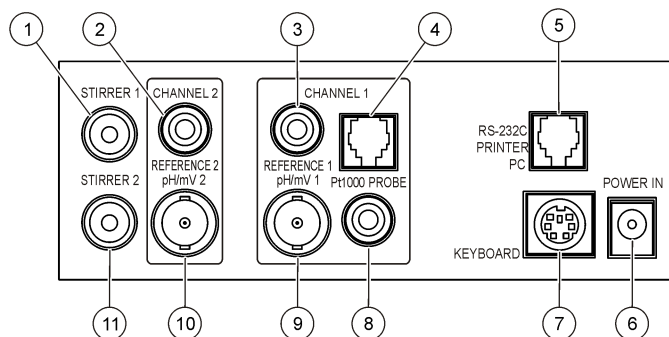
**VAARA**

Tappavan sähköiskun vaara. Jos laitetta käytetään ulkona tai mahdollisesti määrässä paikassa, on käytössä oltava vikavirtakytkin laitteen ja virtalähteen välissä.

Mittaria voidaan käyttää verkkovirralla yleisverkkovirtasovittimen avulla.

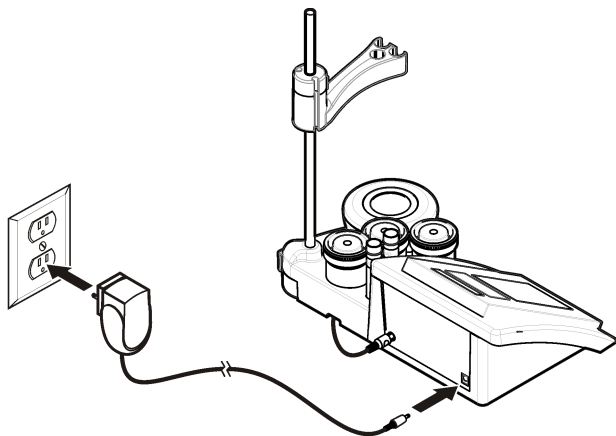
1. Valitse pistorasiaan sopiva sovittimen pistoke sovitinpakkauksesta.
2. Kytke yleisverkkovirtasovitin mittariin (Kuva 2).
3. Kytke yleisverkkovirtasovitin pistorasiaan (Kuva 3).
4. Kytke mittariin virta.

**Kuva 2** Liitäntäpaneeli



1 Magneettisekoittajan 1 liitäntä, kanava 1	7 mini-DIN-liitäntä näppäimistölle
2 Referenssielektrodin liitäntä (erilliset elektrodit), kanava 1	8 Lämpötila-anturin liitäntä, kanava 2
3 Referenssielektrodin liitäntä (erilliset elektrodit), kanava 2	9 Yhdistelmä-pH-elektrodin (tai - ilmaisimen) liitäntä, kanava 2
4 Erillisen lämpötila-anturin liitäntä, kanava 2	10 Yhdistelmä-pH-elektrodin (tai - ilmaisimen) liitäntä, kanava 1
5 RS-232-liitäntä tulostimelle tai tietokoneelle	11 Magneettisekoittajan 2 liitäntä, kanava 2
6 Virtalähde	

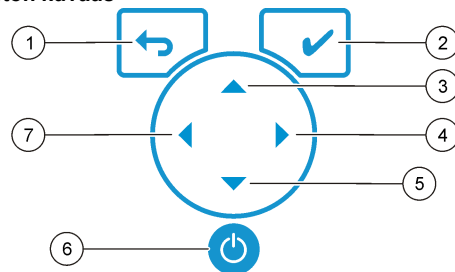
Kuva 3 Kytkeminen verkkovirtaan



## Käyttöliittymä ja selaaminen

### Käyttöliittymä

#### Näppäimistön kuvaus

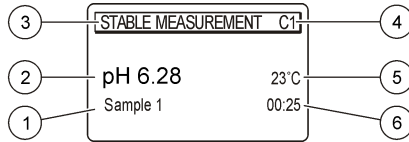


1 PALUU-painike: valinnan peruuttaminen ja paluu nykyisestä valikkonäytöstä edelliseen	5 ALAS-näppäin: selaa toimintoja, muuta arvoja
2 MITTAUS-painike: vaihtoehdon valinnan vahvistaminen	6 ON/OFF: mittarin virran kytkeminen ja sammuttaminen
3 YLÖS-näppäin: selaa toimintoja, muuta arvoja	7 VASEMMALLE-painike: siirtyminen kanavasta 1 kanavaan 2, numeroiden ja kirjainten syöttäminen
4 OIKEALLE-painike: siirtyminen kanavasta 1 kanavaan 2, numeroiden ja kirjainten syöttäminen	

### Näytön kuvaus

Mittari näyttää pitoisuuden, yksiköt, lämpötilan, kalibrointitilatuksen, käyttäjätunnuksen, näytetunnuksen, päivämäärän ja kellonajan.

**Kuva 4 Yhden ruudun näyttö**



1 Näytetunnus	4 Näytteen lämpötila (°C tai °F)
2 Mittayksikkö ja arvo (pH, ORP [mV] tai ISE)	5 Mittauksen visuaalinen ajastin
3 Mittaustila tai aika ja päivämäärä	

## Navigointi

Palaa edelliseen valikkoon ←-näppäimellä. Tee näytemittaus tai vahvista valinta mittauspainikkeella ✓. Valitse muita toimintoja tai muuta arvoa nuolinäppäimillä ▲▼. Muuta parametreja nuolinäppäimillä ◀▶ ja ▶. Katso lisätietoja kyseistä tehtävää käsittelevästä kohdasta.

## Käynnistys

### Mittarin käynnistäminen ja sammuttaminen

#### HUOMAUTUS

Varmista, että anturi on kytketty mittariin, ennen kuin mittari käynnistetään.

Sammuta tai käynnistä mittari painamalla ⏻-painiketta. Jos mittari ei käynnisty, varmista, että verkkovirtalähde on kunnolla kytketty pistorasiaan.

### Kielen vaihtaminen

Näytön kieli valitaan, kun mittari käynnistetään ensimmäistä kertaa.

1. Valitse kieli luettelosta ▲- tai ▼-painikkeella.
2. Vahvista painamalla ✓-painiketta. Mittausnäyttöön tulee teksti DATA OUTPUT (Tietojen lähetyk).

3. Mikäli mittaria ei ole liitetty tulostimeen tai tietokoneeseen, valitse Deactivated (Ei käytössä) ja vahvista. Lisätietoja tietojen lähettämisestä on kohdassa [Tietojen lähettämisen valinnat](#) sivulla 206.

## Peruskäyttö

### Kalibrointi

#### ⚠ VAROITUS

Kemikaalille altistumisen vaara. Noudata laboratorion turvallisuusohjeita ja käytä käsiteltäville kemikaaleille soveltuvia suojavarusteita. Katso turvallisuustoimenpiteet käyttöturvallisuustiedotteesta (MSDS).

### Kalibrointiasetukset

Kalibrointiasetuksia ovat kalibroinnin tyyppi, kalibrointiväli ja näyttöasetukset.

1. Valitse päävalikosta CALIBRATION (Kalibrointi) ▲- tai ▼-painikkeella. Vahvista.
2. Avaa kalibrointivalikko ▲-painikkeella.
3. Valitse ▲- tai ▼-painikkeella jokin seuraavista asetuksista:

Vaihtoehto	Kuvaus
<b>Stability C.</b> <b>(Vakauskriteerit):</b>	Kalibrointikriteerit vakauden mukaan – valitse Fast (Nopea), Standard (Vakio) tai Strict (Tiukka).
<b>Calibration type</b> <b>(Kalibrointityyppi)</b>	Kalibrointityyppi – valitse Technical buffers (Tekniset puskurit), DIN19266 Buffers (DIN19266-puskurit), User Buffers (Käyttäjän puskurit), To a X value (Arvoon X), data introduction (Tietojen syöttö) tai Theoretical calibration (Teoreettinen kalibrointi) Lisätietoa saa kohdasta <a href="#">Calibration types</a> .

Vaihtoehto	Kuvaus
<b>Cal. frequency (Kalibrointiväli)</b>	Kalibrointimuistutus – muistutusväliksi voidaan asettaa 0–7 päivää (oletusasetuksena on muistutus päivittäin). Seuraavaan kalibrointiin jäljellä oleva aika näkyy näytössä. Lisätietoa saa kohdasta <a href="#">Kalibrointimuistutuksen määrittäminen</a> sivulla 205.
<b>Display mV (Näytä mV)</b>	mV-arvojen näyttäminen – valitse YES (Kyllä) tai NO (Ei).
<b>Standard 220 mV (220 mV:n standardi)</b>	Kalibrointi 220 mV:n standardiliiuksella.
<b>To a X value (Arvoon X)</b>	Kalibrointi arvoon X – käytä erityistä standardiliiuosta. Säädä arvoa kalibroinnin aikana.
<b>Data introduction (Tietojen syöttö)</b>	Syötä syötettyjen tietojen kompensointiarvo.
<b>Factory adjust (Tehdassäädöt)</b>	Syötä tehdassäätöjen kompensointiarvo.

### Kalibrointityypit

Valittavissa on useita kalibrointityyppejä.

1. Valitse päävalikosta CALIBRATION (Kalibrointi) ▲- tai ▼-painikkeella. Vahvista.
2. Avaa kalibrointivalikko ▲-painikkeella.
3. Valitse kalibrointityyppi ▲- tai ▼-painikkeella.

Vaihtoehto	Kuvaus
<b>Technical buffers (Tekniset puskurit)</b>	pH 2,00, 4,01, 7,00, 9,21 ja 10,01 25 °C:ssa (77 °F)
<b>DIN19266 Buffers (DIN19266-puskurit)</b>	pH 1,679, 4,006, 6,865, 7,000, 9,180, 10,012 ja 12,454

Vaihtoehto	Kuvaus
<b>User Buffers (Käyttäjän puskurit)</b>	Valitaan, kun teknisiä puskureita tai DIN19266-puskureita ei käytetä. Katso kohdasta <a href="#">Tekniset puskuriliuokset (DIN 19267)</a> sivulla 213 tiettyjen puskurien pH-arvot eri lämpötiloissa.
<b>Calibration to a X value (Kalibrointi arvoon X)</b>	Mitatus pH:n arvon säätäminen manuaalisesti kaikilla asteikoilla.
<b>Data introduction (Tietojen syöttö)</b>	Anturivakion syöttäminen manuaalisesti.
<b>Theoretical calibration (Teoreettinen kalibrointi)</b>	Anturin kalibrointitiedot korvataan 25 °C:ssa (77 °F).

### Kalibrointiohjeet

Nämä ohjeet soveltuvat nestemäisille kalibrointiliiuksille. Katso lisätietoja anturin mukana tulleista oppaista.

**Huomautus:** Liuoksia on sekoitettava kalibroinnin aikana. Lisätietoja sekoitusasetuksista on kohdassa [Sekoitusasetusten muuttaminen](#) sivulla 207.

1. Kaada puskurit- tai kalibrointiliuokset merkittyihin kalibrointidekanttereihin.
2. Valitse päävalikosta ▲- tai ▼-, ◀ ja ▶-painikkeilla CALIBRATION (Kalibrointi) -parametri. Vahvista.
3. Valitse tarvittaessa Operator ID (Käyttäjän tunnus) väliltä 1–10 ja vahvista.
4. Huuhtele anturi deionisoidulla vedellä ja aseta anturi ensimmäiseen kalibrointidekantteriin. Varmista, ettei kalvoon ole jäänyt ilmakuplia.
5. Aloita kalibrointi painamalla ✓-painiketta.
6. Mittaa ensimmäinen kalibrointiliuos painamalla ✓-painiketta. Seuraava kalibrointiliuos tulee näkyviin.
7. Huuhtele anturi deionisoidulla vedellä ja aseta anturi toiseen kalibrointidekantteriin. Varmista, ettei kalvoon ole jäänyt ilmakuplia.
8. Mittaa toinen kalibrointiliuos painamalla ✓-painiketta. Seuraava kalibrointiliuos tulee näkyviin.
9. Huuhtele anturi deionisoidulla vedellä ja aseta anturi kolmanteen kalibrointidekantteriin. Varmista, ettei kalvoon ole jäänyt ilmakuplia.



## 10. Mittaa kolmas kalibroitiliuos painamalla ✓-painiketta.

Kun kalibrointi on onnistunut, näytössä näkyy hetken ajan teksti Calibration OK ja sen jälkeen päävalikko.

**Huomautus:** Jos mittari on kytketty tulostimeen, tulostusvalikko avautuu ja kalibrointitulosta voidaan tulostaa.

## Kalibrointitietojen näyttäminen

Viimeisimmän kalibroinnin tiedot voidaan näyttää.

1. Valitse päävalikosta ▲ tai ▼-painikkeella DATA LOGGER (Muisti). Vahvista.
2. Valitse Display data (Näytä tiedot)
3. Valitse Calibration data (Kalibrointitiedot) ja vahvista ✓-painikkeella. Viimeisimmän kalibroinnin tiedot näytetään.
  - pH – näyttää vuorotellen slopen ja offsetin sekä poikkeaman (prosentteina) ja kalibrointilämpötilan.
  - ORP – näyttää mitatun mV-arvon ja kalibrointilämpötilan.
  - Johtokyky – näyttää kennovakion ja jokaisen standardin kalibrointilämpötilan.

## Kalibrointimuistutuksen määrittäminen

Kalibroinnin muistutusväliksi voidaan asettaa 0–23 tuntia tai 1–7 päivää (oletuksena 1 päivä). Seuraavaan kalibrointiin jäljellä oleva aika näkyy näytössä.

**Huomautus:** Kun asetukseksi on valittu 0 päivää, kalibrointimuistutus ei ole käytössä.

1. Valitse päävalikosta CALIBRATION (Kalibrointi) ▲- tai ▼-painikkeella. Vahvista.
2. Avaa kalibrointivalikko ▲-painikkeella.
3. Valitse ▲- tai ▼-painikkeella Cal. frequency (Kalibrointiväli) ja vahvista.
4. Siirry seuraavaan vaiheeseen ◀ ja ▶-painikkeilla ja muuta arvoa ▲- tai ▼-painikkeella. Vahvista. Aloita kalibrointi painamalla ✓-painiketta.

## Näytteiden mittaaminen

Näytteen valmistelun vaiheet ja menetelmät ennen mittausten suorittamista ovat erilaiset kullakin anturilla.

1. Valitse päävalikosta ▲-, ▼-, ◀ ja ▶-painikkeilla MEASURE (Mittaus) -parametri. Vahvista.
2. Muuta seuraavat asetukset ▲-painikkeella. Vahvista jokainen valinta.

Vaihtoehto	Kuvaus
<b>Ratkaisu</b>	Valitse mittaustarkkuudeksi 1, 0,1, 0,01 (oletus) tai 0,001.
<b>Mittaukset</b>	Stability (Vakaus) – Valitse vakauskriteeri: Fast (Nopea), jolla vaihtelu < 0,02 pH 6 sekunnissa, Standard (Vakio), jolla vaihtelu < 0,01 pH 6 sekunnissa tai Strict (Tiukka), jolla vaihtelu < 0,002 pH 6 sekunnissa. In continuous (Jatkuva) – Syötä In continuous Acquis. Interval (Jatkuvan mittauksen aikaväli) -asetuksen aikaväli (tietojen tallennusta tai tulostusta varten). By time (Aikasidonnainen) – Syötä tietojen tallennuksen tai tulostamisen aikaväli.
<b>Display mV (Näytä mV)</b>	mV-arvojen näyttäminen – valitse YES (Kyllä) tai NO (Ei).
<b>Limits (Rajoitukset)</b>	Rajoitukset – Valitse YES (Kyllä) tai NO (Ei). YES (Kyllä): Syötä ylä- ja alarajat. Laite antaa äänimerkin, kun mittaustulos on rajojen ulkopuolella. Tulostetussa raportissa on mitatun arvon vieressä kirjain A, kun mittaus on ylittänyt asetetun rajan.
<b>Isopotential (Tasapotentiaali)</b>	Isopotential (Tasapotentiaali) – Tasapotentiaalisen pH:n arvoa voi muuttaa Data introduction (Tietojen syöttö) -valikossa. Kalibroi anturi uudelleen valitsemalla Calculate (Laske).

3. Aloita mittaus painamalla ✓-painiketta.

**Huomautus:** Jos mittausrvo ei vakiinnu 120 sekunnissa, mittari siirtyy automaattisesti jatkuvaan mittaustilaan.

## Edistynyt käyttö

### Mittayksikköjen vaihtaminen

Kunkin kanavan mittayksikköjä voi vaihtaa erikseen.

1. Valitse päävalikosta ▲- tai ▼-painikkeella SYSTEM (Järjestelmä).  
Vahvista.
2. Valitse ▲- tai ▼-painikkeella Measurement units (Mittayksiköt) ja vahvista.
3. Valitse Channel 1 (Kanava 1) tai Channel 2 (Kanava 2) ja vahvista.
4. Valitse ORP (mV), pH tai ISE ja vahvista.

### Näytetunnuksen käyttö

Näytetunnus -toimintoa käytetään kohdistamaan lukemat tiettyyn näytteen sijaintiin. Jos toiminto on käytössä, tallennettu mittaustieto sisältää kyseisen tunnuksen.

1. Valitse päävalikosta ▲- tai ▼-painikkeella SYSTEM (Järjestelmä).  
Vahvista.
2. Valitse ▲- tai ▼-painikkeella Sample ID (Näytetunnus) ja vahvista.
3. Valitse vaihtoehto ▲- tai ▼-painikkeella

Vaihtoehto	Kuvaus
<b>Automaattinen</b>	Jokaiselle näytteelle annetaan automaattisesti juokseva numero.
<b>Käyttöohje</b>	Näytetunnus (korkeintaan 15 merkkiä) voidaan syöttää ennen mittausta näppäimistön tai viivakoodinlukijan avulla.

### Tietojen lähettämisen valinnat

Tiedot voidaan tallentaa tai siirtää tulostimeen tai tietokoneeseen.

1. Valitse päävalikosta ▲- tai ▼-painikkeella SYSTEM (Järjestelmä).  
Vahvista.
2. Valitse ▲- tai ▼-painikkeella Data output (Tietojen lähettäminen) ja vahvista.

3. Valitse vaihtoehto ▲- tai ▼-painikkeella

Vaihtoehto	Kuvaus
<b>Deactivated (Ei käytössä)</b>	Mikäli mittaria ei ole liitetty tulostimeen tai tietokoneeseen, valitse Deactivated (Ei käytössä).
<b>For Printer (Tulostimeen)</b>	Valitse Dot matrix printer (Matriisitulostin) tai Thermal printer (Lämpötulostin).
<b>For Computer (Tietokoneeseen)</b>	Valitse Terminal (Pääte), LabCom tai LabCom Easy. LabCom-ohjelmiston avulla voi hallita tietokoneella useita moduuleita, pH- ja johtokykymittareita, automaattiburetteja, näytteenottimia jne. LabCom Easy -ohjelmistolla pH- ja johtokykytiedot voi hakea tietokoneella.

### Päiväyksen ja ajan muuttaminen

Päiväystä ja aikaa voidaan muuttaa Date/Time (Päiväys/aika) -valikossa.

1. Valitse päävalikosta ▲- tai ▼-painikkeella SYSTEM (Järjestelmä).  
Vahvista.
2. Valitse ▲- tai ▼-painikkeella Date/Time (Päiväys/aika) ja vahvista.
3. Siirry seuraavaan vaiheeseen ◀ ja ▶-painikkeilla ja muuta arvoa ▲- tai ▼-painikkeella. Vahvista.  
Oikea aika ja päiväys näkyvät näytöllä.

### Näytön kontrastin säätäminen

1. Valitse päävalikosta ▲- tai ▼-painikkeella SYSTEM (Järjestelmä).  
Vahvista.
2. Valitse ▲- tai ▼-painikkeella Display contrast (Näytön kontrasti) ja vahvista.
3. Säädä näytön kontrasti ◀ ja ▶-painikkeilla ja vahvista.

### Lämpötilan säätäminen

Lämpötila voidaan säätää lukemissa 25 °C (77 °F) ja/tai 85 °C (185 °F), mikä parantaa mittaustarkkuutta.

1. Aseta anturi ja vertailulämpömittari dekantertiin, jossa olevan veden lämpötila on noin 25 °C, ja anna lämpötilan tasaantua.
2. Vertaa mittarin lämpötilalukemaa vertailulämpömittarin lukemaan. Lukemien ero on mittarin säätöarvo. Esimerkki: vertailulämpömittari 24,5 °C, mittari 24,3 °C. Säätöarvo: 0,2 °C.
3. Syötä lukeman 25 °C säätöarvo:
  - a. Valitse päävalikosta ▲- tai ▼-painikkeella SYSTEM (Järjestelmä). Vahvista.
  - b. Valitse ▲- tai ▼-painikkeella Readjust temp. (Säädä lämpötila uudelleen) ja vahvista.
  - c. Valitse Channel 1 (Kanava 1) tai Channel 2 (Kanava 2) ja vahvista. Kanavan 1 lämpötila mitataan johtokykykennolla ja kanavan 2 lämpötila pH-anturilla. Jos mittariin ei ole kytketty johtokykykennoa, lämpötila-arvo on syötettävä manuaalisesti tai on käytettävä kanavasta 2 mitattua lämpötila-arvoa.
  - d. Valitse ▲- tai ▼-painikkeella 25 °C ja vahvista.
  - e. Syötä 25 °C:n säätöarvo nuolipainikkeilla ja vahvista.
4. Aseta anturi ja vertailulämpömittari dekantertiin, jossa olevan veden lämpötila on noin 85 °C, ja anna lämpötilan tasaantua.
5. Vertaa mittarin lämpötilalukemaa vertailulämpömittarin lukemaan. Lukemien ero on mittarin säätöarvo.
  - a. Valitse ▲- tai ▼-painikkeella 85 °C ja vahvista.
  - b. Syötä 85 °C:n säätöarvo nuolipainikkeilla ja vahvista.
  - c. Valitse Save changes (Tallenna muutokset) ja vahvista.

## Sekoitusasetusten muuttaminen

Magneettisekoittaja käynnistetään ja sekoitusnopeutta säädetään Stirring (Sekoittaminen) -valikossa.

1. Valitse päävalikosta ▲- tai ▼-painikkeella SYSTEM (Järjestelmä). Vahvista.
2. Valitse ▲- tai ▼-painikkeella Stirring (Sekoittaminen) ja vahvista.
3. Käynnistä/pysäytä sekoittaja painamalla ✓-painiketta.

4. Kun sekoittaja on käynnissä, sekoitusnopeutta voi säätää prosentuaalisesti ▲- tai ▼-painikkeella.

**Huomautus:** Sekoitusnopeuden vaihtamiseen kalibroinnin tai mittauksen aikana käytetään ▲- tai ▼-painiketta.

## Sekoittajan käynnistäminen ja pysäyttäminen

Sekoittajaa voi käyttää kanavassa 1 tai 2 (sekoittaja 1). Kanavaan 2 voi liittää toisen sekoittajan (sekoittaja 2). Sekoittaja 2 otetaan käyttöön seuraavalla tavalla.

1. Valitse päävalikosta ▲- tai ▼-painikkeella SYSTEM (Järjestelmä). Vahvista painamalla ✓-painiketta.
2. Valitse ▲- tai ▼-painikkeella Stirrer N.2 (Sekoittaja nro 2) ja vahvista ✓-painikkeella.
3. Käynnistä sekoittaja 2 valitsemalla ▲- tai ▼-painikkeella YES (Kyllä).  
**Huomautus:** Pysäytä sekoittaja valitsemalla NO (Ei).

## Lämpötilayksikön muuttaminen

Lämpötilan yksiköksi voi valita joko Celsius tai Fahrenheit.

1. Valitse päävalikosta ▲- tai ▼-painikkeella SYSTEM (Järjestelmä). Vahvista.
2. Valitse ▲- tai ▼-painikkeella Temperature units (Lämpötilayksiköt) ja vahvista.
3. Valitse ▲- tai ▼-painikkeella Celsius tai Fahrenheit ja vahvista.

## Datan keruuyksikkö

### Näyttötiedot

Näyttötietojen muisti sisältää mittaustiedot, elektrodiraportin ja kalibrointitiedot. Tallennetut tiedot voi lähettää tulostimeen tai tietokoneeseen. Kun muisti täyttyy (400 tietuetta), vanhin tietue poistetaan uuden tietueen tallentamisen yhteydessä.

1. Valitse ◀ ja ▶-painikkeilla Channel 1 (Kanava 1) tai Channel 2 (Kanava 2) ja vahvista.

- Valitse päävalikosta ▲- tai ▼-painikkeella SYSTEM (Järjestelmä). Vahvista.
- Valitse ▲- tai ▼-painikkeella DATA LOGGER (Muisti) ja vahvista.
- Valitse ▲- tai ▼-painikkeella Display data (Näyttötiedot) ja vahvista.
- Valitse vaihtoehto ▲- tai ▼-painikkeella

Vaihtoehto	Kuvaus
<b>Measurement data (Mittaustiedot)</b>	Mittaustiedot tallennetaan automaattisesti jokaisen näytteen mittauksen yhteydessä.
<b>Electrode report (Elektrodiraportti)</b>	Elektrodin mittaushistoria ja mittaolosuhteet tallennetaan automaattisesti.
<b>Kalibrointidata (Kalibrointitiedot)</b>	Nykyisen kalibroinnin tiedot tallennetaan automaattisesti.

## Tietojen poistaminen

Koko mittaustietojen tai elektrodiraporttien muisti voidaan tyhjentää, jolloin tulostimeen tai tietokoneeseen lähetetyt tiedot poistetaan.

- Valitse päävalikosta ▲- tai ▼-painikkeella SYSTEM (Järjestelmä). Vahvista.
- Valitse ▲- tai ▼-painikkeella DATA LOGGER (Muisti) ja vahvista.
- Valitse ▲- tai ▼-painikkeella Erase (Tyhjennä) ja vahvista.
- Valitse ▲- tai ▼-painikkeella Measurement data (Mittaustiedot) tai Electrode report (Elektrodiraportti) ja vahvista. Vahvista tietojen poistaminen vielä toistamiseen. Koko muisti tyhjennetään kerralla.

## Tietojen lähettäminen tulostimeen tai tietokoneeseen

### HUOMAUTUS

Tietojen lähetyskohde (tulostin tai tietokone) on valittava ensin, jotta Print (Tulostus) -valikko on käytettävissä (katso [Tietojen lähettämisen valinnat](#) sivulla 206).

**Huomautus:** Kohdassa [Raporttien lähettäminen](#) sivulla 208 on lisätietoja lähetettävän raportin tyyppin valitsemisesta.

- Valitse päävalikosta ▲- tai ▼-painikkeella SYSTEM (Järjestelmä). Vahvista.
- Valitse ▲- tai ▼-painikkeella DATA LOGGER (Muisti) ja vahvista.
- Valitse ▲- tai ▼-painikkeella Print (Tulosta) ja vahvista. Valitse yksi seuraavista vaihtoehtoista ja tulosta tiedot vahvistamalla valinta ✓-painikkeella: Measurement data (Mittaustiedot), Electrode data (Elektroditiedot), Calibration data (Kalibrointitiedot), Calibration report (Kalibrointiraportti) tai Instrument condit (Instrumentin tila).

## Raporttien lähettäminen

### HUOMAUTUS

Tietojen lähetyskohde (tulostin tai tietokone) on valittava ensin, jolloin Type of report (Raporttityyppi) -valikko on käytettävissä (katso [Tietojen lähettämisen valinnat](#) sivulla 206).

Kun mittari on liitetty tulostimeen tai tietokoneeseen, eri raporttityyppien valitseminen on mahdollista.

- Valitse päävalikosta ▲- tai ▼-painikkeella SYSTEM (Järjestelmä). Vahvista.
- Valitse ▲- tai ▼-painikkeella Type of report (Raporttityyppi) ja vahvista.
- Kun mittariin on liitetty tulostin tai tietokone ja pääte, valitse vaihtoehto ▲- tai ▼-painikkeella.

Vaihtoehto	Kuvaus
<b>Reduced (Suppea)</b>	Valitse lähetysmuodoksi Several (Useita) tai One sample (Yksi näyte).

Vaihtoehto	Kuvaus
<b>Standard (Vakio)</b>	Valitse lähetyksmuodoksi Several (Useita) tai One sample (Yksi näyte). Valitse näistä: <b>Users: (Käyttäjät)</b> Käyttäjän nimi (17 merkkiä) näkyy tulostetussa raportissa. <b>Header: (Otsikko)</b> Yhtiön nimi (40 merkkiä) voidaan lisätä otsikoksi, joka näkyy tulostetussa raportissa. <b>Identify sensor: (Anturin tiedot)</b> Anturin malli ja sarjanumero voidaan lisätä raporttiin tulostettaviksi.
<b>GLP (Hyvä laboratorioikäntö)</b>	Valitse lähetyksmuodoksi Several (Useita) tai One sample (Yksi näyte). Valitse näistä: <b>Users: (Käyttäjät)</b> Käyttäjän nimi (17 merkkiä) näkyy tulostetussa raportissa. <b>Header: (Otsikko)</b> Yhtiön nimi (40 merkkiä) voidaan lisätä otsikoksi, joka näkyy tulostetussa raportissa. <b>Identify sensor: (Anturin tiedot)</b> Anturin malli ja sarjanumero voidaan lisätä raporttiin tulostettaviksi.

4. Kun mittari on liitetty tietokoneeseen ja LabCom Easy (katso lisätietoja kohdasta [Tietojen lähettämisen valinnat](#) sivulla 206) on valittu, valitse vaihtoehto ▲- tai ▼-painikkeella

Vaihtoehto	Kuvaus
<b>Users (Käyttäjät)</b>	Käyttäjän nimi (17 merkkiä) tulostetaan raporttiin.
<b>Identify sensor (Anturin tiedot)</b>	Anturin malli ja sarjanumero voidaan lisätä raporttiin tulostettaviksi.

## Huolto

### ▲ VAROITUS

Useita vaaroja. Älä pura laitetta huoltamista varten. Jos laitteen sisällä olevia osia on puhdistettava tai korjattava, ota yhteys valmistajaan.

### ▲ VAROTOIMI

Henkilövahinkojen vaara. Vain ammattitaitoinen henkilö saa suorittaa käyttöohjeiden tässä osassa kuvatut tehtävät.

## Laitteen puhdistaminen

### HUOMAUTUS

Älä koskaan käytä laitteen tai sen näytön ja lisävarusteiden puhdistamisessa tärpättiä, asetonia tai vastaavia tuotteita.

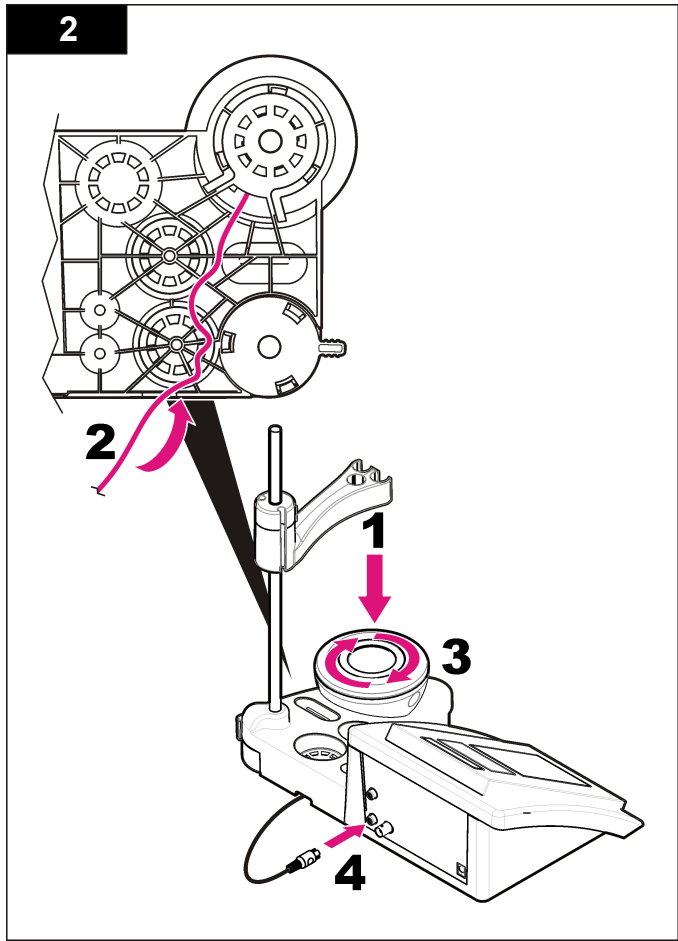
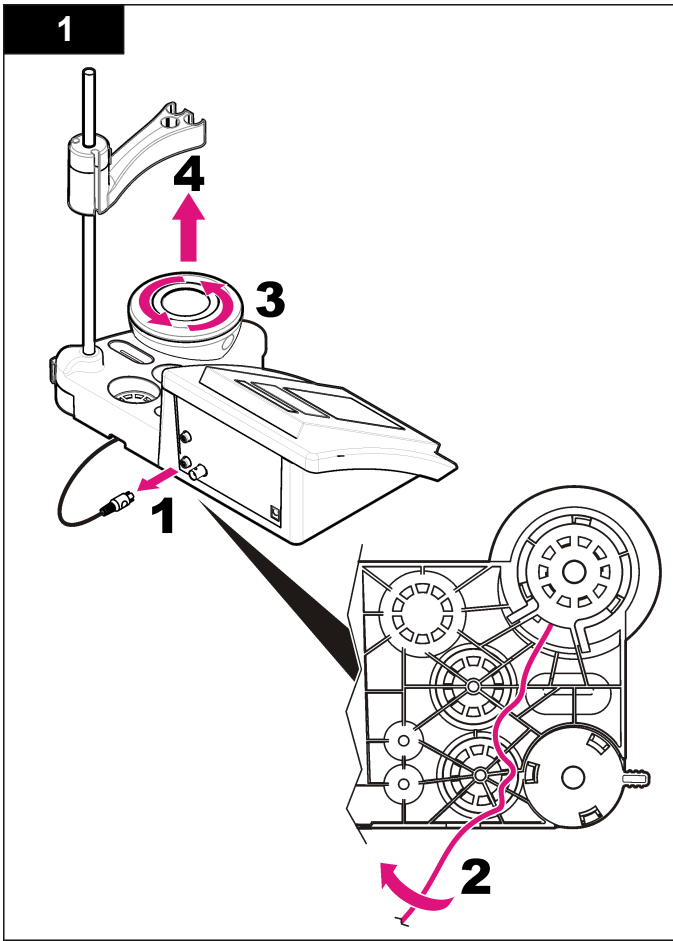
Puhdista laitteen ulkopinta kostealla liinalla ja miedolla saippualliuoksella.

## Anturin puhdistaminen

Puhdista anturi tarvittaessa. Lisätietoja puhdistamisesta on kohdassa [Vianmääritys](#) sivulla 211. Anturin käyttöohjeissa on tietoa anturin huoltamisesta.

## Magneettisekoittajan vaihtaminen

Jos magneettisekoittaja ei käynnisty, vaihda se noudattaen ohjetta numerojärjestyksessä.



## Vianmääritys

Seuraavassa taulukossa on esitetty yleisimmät ongelmat oireineen, mahdollisine syineen ja ratkaisuineen.

**Taulukko 1 Kalibroinnin varoitukset ja vikailmoitukset**

Vikailmoitus/varoitus	Ratkaisu
Asymmetry > 58 mV (Asymmetria > 58 mV)	Kaltevuus alueen ulkopuolella (hyväksytyt arvot $\pm 58$ mV) Kalibroi uudelleen. Kytke uusi anturi.
Buffer or electrode in poor conditions. (Puskurin tai elektrodin kunto huono.)	Tutki anturi: puhdista se (ks. lisätietoja kohdasta <a href="#">Anturin puhdistaminen</a> sivulla 209) ja varmista, ettei kalvossa ole ilmakehiä. Ravista anturia kuin lämpömittaria. Selvitä, onko ongelma anturissa vai mittarissa kytkemällä mittariin jokin toinen anturi.  Tutki puskuriliuos: varmista, että käytetty puskurivastaa asetuksissa määritettyä puskuria ja tarkista asetuksissa määritetty lämpötila. Käytä uutta puskuriliuosta.
BUFFER NOT RECOGNIZED (Puskuri tuntematon)	Kalibroi uudelleen.
Sens. (a) < 70% (Anturin (a) < 70 %)	Tutki anturi: puhdista se (ks. lisätietoja kohdasta <a href="#">Anturin puhdistaminen</a> sivulla 209) ja varmista, ettei kalvossa ole ilmakehiä. Ravista anturia kuin lämpömittaria. Selvitä, onko ongelma anturissa vai mittarissa kytkemällä mittariin jokin toinen anturi.  Tutki puskuriliuos: varmista, että käytetty puskurivastaa asetuksissa määritettyä puskuria ja tarkista asetuksissa määritetty lämpötila. Käytä uutta puskuriliuosta.

**Taulukko 1 Kalibroinnin varoitukset ja vikailmoitukset (jatk.)**

Vikailmoitus/varoitus	Ratkaisu
UNSTABLE READING (Epävakaava lukema) Time $t > 100$ s (Aika $t > 100$ s)	Kalibroi uudelleen.  Tutki anturi: puhdista se (ks. lisätietoja kohdasta <a href="#">Anturin puhdistaminen</a> sivulla 209) ja varmista, ettei kalvossa ole ilmakehiä. Ravista anturia kuin lämpömittaria. Selvitä, onko ongelma anturissa vai mittarissa kytkemällä mittariin jokin toinen anturi.  Varmista, että molemmat kalvot ovat kunnolla näytenesteeseen peitossa.
Check temperature. (Tarkista lämpötila.)  Check electrode (Tarkista anturi)	Tarkista asetuksissa määritetty lämpötila.  Tutki anturi: puhdista se (ks. lisätietoja kohdasta <a href="#">Anturin puhdistaminen</a> sivulla 209) ja varmista, ettei kalvossa ole ilmakehiä. Ravista anturia kuin lämpömittaria. Selvitä, onko ongelma anturissa vai mittarissa kytkemällä mittariin jokin toinen anturi.
Electrode in poor conditions. (Elektrodin kunto huono.)	Tutki anturi: puhdista se (ks. lisätietoja kohdasta <a href="#">Anturin puhdistaminen</a> sivulla 209) ja varmista, ettei kalvossa ole ilmakehiä. Ravista anturia kuin lämpömittaria. Selvitä, onko ongelma anturissa vai mittarissa kytkemällä mittariin jokin toinen anturi.
Check the electrode. (Tarkista elektrodi.)	
SAME BUFFERS (Samat puskurit)	Kalibroi uudelleen.  Tutki anturi: puhdista se (ks. lisätietoja kohdasta <a href="#">Anturin puhdistaminen</a> sivulla 209) ja varmista, ettei kalvossa ole ilmakehiä. Ravista anturia kuin lämpömittaria. Selvitä, onko ongelma anturissa vai mittarissa kytkemällä mittariin jokin toinen anturi.  Tarkista puskuriliuos. Käytä uutta puskuriliuosta.

**Taulukko 2 Mittauksen varoitukset ja vikailmoitukset**

Vikailmoitus/varoitus	Ratkaisu
pH 12.78 19°C	Kalibroi uudelleen.
pH out of range (pH alueen ulkopuolella)	Tutki anturi: puhdista se (ks. lisätietoja kohdasta <a href="#">Anturin puhdistaminen</a> sivulla 209) ja varmista, ettei kalvossa ole ilmakuplia. Ravista anturia kuin lämpömittaria. Selvitä, onko ongelma anturissa vai mittarissa kytkemällä mittariin jokin toinen anturi.
Temp out of range °C (Lämpötila alueen ulkopuolella, °C)	Tutki lämpötila-anturi. Selvitä, onko ongelma anturissa vai mittarissa, kytkemällä mittariin jokin toinen anturi.
Time > 60 s (Aika > 60 s)	Varmista, että molemmat kalvot ovat kunnolla näyteneesten peitossa.
Time > 150 s (Aika > 150 s)	Examine the temperature. (Tarkista lämpötila.)
Time > 300 s (Aika > 300 s)	Tutki anturi: puhdista se (ks. lisätietoja kohdasta <a href="#">Anturin puhdistaminen</a> sivulla 209) ja varmista, ettei kalvossa ole ilmakuplia. Ravista anturia kuin lämpömittaria. Selvitä, onko ongelma anturissa vai mittarissa kytkemällä mittariin jokin toinen anturi.
10.389mg/L >>>>> 00012 00:13	ISE-mittaus: mitattu arvo ylittää korkeimman kalibroinnissa käytetyn standardin. Toista mittaus.
0.886mg/L <<<<<< 00018 00:11	ISE-mittaus: mitattu arvo alittaa matalimman kalibroinnissa käytetyn standardin. Toista mittaus.

## Varaosat ja varusteet

**Huomautus:** Tuote- ja artikkelinumeroit voivat vaihdella joillain markkina-alueilla. Ota yhteys asianmukaiseen jälleenmyyjään tai hae yhteystiedot yhtiön Internet-sivustolta.

## Varaosat

Kuvaus	Osanumero
sensION+ PH3 -pH-mittari laboratorioon, mukana lisävarusteet, ei anturia	LPV2000.98.0002
sensION+ PH31 -pH-mittari laboratorioon, GLP-yhteensopiva, mukana lisävarusteet, ei anturia	LPV2100.98.0002
sensION+ MM340 -pH- ja -ionimittari laboratorioon, GLP-yhteensopiva, 2 kanavaa, mukana lisävarusteet, ei anturia	LPV2200.98.0002
sensION+ EC7 -johtokyky mittari laboratorioon, mukana lisävarusteet, ei anturia	LPV3010.98.0002
sensION+ EC71 -johtokyky mittari laboratorioon, GLP-yhteensopiva, mukana lisävarusteet, ei anturia	LPV3110.98.0002
sensION+ MM374 -mittari laboratorioon, 2 kanavaa, GLP-yhteensopiva, mukana lisävarusteet, ei anturia	LPV4110.98.0002

## Kulutustavarat

Kuvaus	Osanumero
pH-puskuriliuos, 4,01, 125 ml	LZW9460.99
pH-puskuriliuos, 7,00, 125 ml	LZW9461.98
pH-puskuriliuos, 10,01, 125 ml	LZW9470.99
pH-puskuriliuos, 4,01, 250 ml	LZW9463.99
pH-puskuriliuos, 7,00, 250 ml	LZW9464.98
pH-puskuriliuos, 10,01, 250 ml	LZW9471.99
pH-puskuriliuos, 4,01, 1 000 ml	LZW9466.99
pH-puskuriliuos, 7,00, 1 000 ml	LZW9467.98
pH-puskuriliuos, 10,01, 1 000 ml	LZW9472.99
Elektrolyyttiliuos (KCl 3 M), 125 ml	LZW9510.99
Elektrolyyttiliuos (KCl 3 M), 250 ml	LZW9500.99



## Varaosat ja varusteet (jatk.)

Kuvaus	Osanumero
Elektrolyyttiliuos (KCl 3 M), 50 ml	LZW9509.99
Elektrolyyttiliuos, 0,1 M, 125 ml	LZW9901.99
Entsyymiiliuos	2964349
Pepsiiniä sisältävä puhdistusliuos	2964349
Elektrodirin puhdistusliuos	2965249
0,1 N HCl	1481253

## Varusteet

Kuvaus	Osanumero
Lämpötulostin, RS232, sensION+-mittariin, pöytämalli	LZW8201.99
Lämpöpaperi LZW8201-tulostimeen, pakkauksessa 5 rullaa	LZW9117.99
Matriisitulostin, RS232, sensION+-instrumentteihin	LZW8200.99
Vakiopaperi LZW8200-tulostimeen, pakkauksessa 10 rullaa	LZW9000.99
Värinauha LZW8200-tulostimeen, 3 kpl	LZW9001.99
LabCom Easy -tietokoneohjelmisto, GLP-yhteensopiviin sensION+-laitteisiin, mukana CD, kaapeli ja USB-sovitin	LZW8997.99
LabCom-tietokoneohjelmisto, GLP-yhteensopiviin sensION+-laitteisiin, mukana CD, kaapeli ja USB-sovitin	LZW8999.99
RS232-kaapeli, sensION+-pöytäinstrumentteihin	LZW9135.99
RS232-kaapeli sensION+-pöytäinstrumentteihin, mukana USB-sovitin	LZW9135USB.99
Magneettisekoittaja, jossa anturipidike, sensION+ MM -pöytälaitteisiin	LZW9319.99

## Varaosat ja varusteet (jatk.)

Kuvaus	Osanumero
3 kpl 50 ml:n asteikollisia dekanttereita pH-kalibrointiin, pöytäkäyttö	LZW9110.98
Kolmen anturin pidike, pöytämallisiin sensION+-instrumentteihin	LZW9321.99
Teline ja pidike kolmelle anturille	LZW9155.99
Kammio pyrex-lasia, jatkuvan virtauksen mittauksiin	LZW9118.99
PP-suojus, elektrodien säilytykseen	LZW9161.99

## Standardiliuokset

### Tekniset puskuriliuokset (DIN 19267)

Katso kohdasta [Taulukko 3](#) puskurien pH- ja ORP (mV) -arvot eri lämpötiloissa.

**Taulukko 3 pH-, ORP (mV)- ja lämpötila-arvot**

Lämpötila		pH					mV
°C	°F						
0	32	2,01	4,01	7,12	9,52	10,30	—
10	50	2,01	4,00	7,06	9,38	10,17	245
20	68	2,00	4,00	7,02	9,26	10,06	228
<b>25</b>	<b>77</b>	<b>2,00</b>	<b>4,01</b>	<b>7,00</b>	<b>9,21</b>	<b>10,01</b>	<b>220</b>
30	86	2,00	4,01	6,99	9,16	9,96	212
40	104	2,00	4,03	6,97	9,06	9,88	195
50	122	2,00	4,06	6,97	8,99	9,82	178
60	140	2,00	4,10	6,98	8,93	9,76	160
70	158	2,01	4,16	7,00	8,88	—	—

**Taulukko 3 pH-, ORP (mV)- ja lämpötila-arvot (jatk.)**

Lämpötila		pH					mV
°C	°F						
80	176	2,01	4,22	7,04	8,83	—	—
90	194	2,01	4,30	7,09	8,79	—	—

**Puskuriliuokset (DIN 19266)**

Katso kohdasta [Taulukko 4](#) puskurien pH- ja ORP (mV) -arvot eri lämpötiloissa.

**Taulukko 4 pH-, ORP (mV)- ja lämpötila-arvot**

Lämpötila		pH					mV	
°C	°F							
5	32	1,668	4,004	6,951	7,087	9,395	10,245	13,207
10	50	1,670	4,000	6,923	7,059	9,332	10,179	13,003
20	68	1,675	4,001	6,881	7,016	9,225	10,062	12,627
<b>25</b>	<b>77</b>	<b>1,679</b>	<b>4,006</b>	<b>6,865</b>	<b>7,000</b>	<b>9,180</b>	<b>10,012</b>	<b>12,454</b>
30	86	1,683	4,012	6,853	6,987	9,139	9,966	12,289
40	104	1,694	4,031	6,838	6,970	9,068	9,889	11,984
50	122	1,707	4,057	6,833	6,964	9,011	9,828	11,705
60	140	1,723	4,085	6,836	6,968	8,962	—	11,449
70	158	1,743	4,126	6,845	6,982	8,921	—	—
80	176	1,766	4,164	6,859	7,004	8,885	—	—
90	194	1,792	4,205	6,877	7,034	8,850	—	—

## Спецификации

Спецификациите могат да се променят без уведомяване.

Спецификация	Подробности
Размери	35 X 20 X 11 cm (13,78 X 7,87 X 4,33 инча)
Тегло	1 100 гр. (2,43 lb)
Корпус на измервателното устройство	IP42
Изисквания за захранването (външно)	100–240 V, 0.4 A, 47-63 Hz
Клас на защита на измервателното устройство	Клас II
Температура на съхранение	от -15 до +65°C (от 5 до 149°F)
Работна температура	0 до 40°C (41 до 104 °F)
Работна влажност	< 80% (без кондензация)
Разрешаваща способност	pH: 0,1/0,01/0,001, ORP: 0,1/1 mV, ISE: програмируем, температура: 0,1°C (0,18°F)
Грешка при измерване (± 1 цифра)	pH: ≤ 0,002, ORP: ≤ 0,2 mV, температура: ≤ 0,2°C (≤ 0,36°F)
Възпроизводимост (± 1 цифра)	pH: ± 0,001, ORP: ± 0,1 mV, температура: ± 0,1°C (± 0,18°F)
Съхраняване на данни	330 резултата и последните 9 калибрации
Връзки	2 Комбинирана или индикаторна сонда: BNC конектор (Имп. >10 <sup>12</sup> Ω); 2 референтни електрода: бананен конектор; А.Т.С. тип Pt 1000: магнитна бъркалка за бананен или телефонен конектор: RCA конектор; 2 магнитни бъркалки: RCA конектор
Корекция на температурата	Ръчно, Pt 1000 температурна сонда (А.Т.С.), програмируем pH изопотенциал, стандартна стойност 7,00

Спецификация	Подробности
Заклучване на дисплея с измерванията	Непрекъснато измерване, според устойчивостта
Дисплей	Течен кристал, с осветяване отзад, 128 x 64 точки
Клавиатура	PET със защитно третиране
Сертификация	CE

## Обща информация

Коригираните издания можете да намерите на уебсайта на производителя.

## Информация за безопасността

### Забележка

Производителят не носи отговорност за никакви повреди, възникнали в резултат на погрешно приложение или използване на този продукт, включително, без ограничения, преки, случайни или възникнали вследствие щети, и се отхвърля всяка отговорност към такива щети в пълната позволена степен от действащото законодателство. Потребителят носи пълна отговорност за установяване на критични за приложението рискове и монтаж на подходящите механизми за подsigуряване на процесите по време на възможна неизправност на оборудването.

Моля, внимателно прочетете ръководството преди разопаковане, инсталиране и експлоатация на оборудването. Обръщайте внимание на всички твърдения за опасност и предпазливост. Пренебрегването им може да има за резултат сериозни наранявания на оператора или повреда на оборудването.

(Уверете се, че защитата, осигурена от това оборудване, не е занижена. Не го използвайте и не го монтирайте по начин, различен от определения в това ръководство.

## Използване на информация за опасностите

### ▲ ОПАСНОСТ

Показва наличие на потенциална или непосредствена опасна ситуация, която ако не бъде избегната, ще предизвика смъртоносно или сериозно нараняване.

### ▲ ПРЕДУПРЕЖДЕНИЕ

Указва потенциално или непосредствено опасна ситуация, която, ако не бъде избегната, може да доведе до смърт или сериозно нараняване.

### ▲ ВНИМАНИЕ



Показва наличие на потенциално опасна ситуация, която може да предизвика леко или средно нараняване.

### Забележка

Показва ситуация, която ако не бъде избегната, може да предизвика повреда на инструмента. Информация, която изисква специално изтъкване.

## Предпазни надписи

Прочетете всички надписи и маркировки, прикрепени към инструмента. Неспазването им може да доведе до физическо нараняване или повреда на инструмента. Един символ, ако е отбелязан върху инструмента, ще бъде включен в ръководството с твърдение за опасност или предупреждение.

	Ако е отбелязан върху инструмента, настоящият символ означава, че е необходимо да се направи справка с ръководството за работа и/или информацията за безопасност.
	След 12 август 2005 г. електрическо оборудване, маркирано с този символ, не може да бъде изхвърляно в обществените сметища в Европа. В съответствие с Европейските местни и национални разпоредби (Директива 2002/98/ЕО на ЕС) европейските потребители на електрическо оборудване трябва да връщат старото или употребено оборудване на производителя за унищожаване без заплащане на такса от потребителя. <i>Забележка:</i> За връщане за рециклиране, моля, свържете се с производителя или доставчика на оборудването за инструкции как да върнете употребеното оборудване, неговите аксесоари, доставени от производителя, и всички допълнителни компоненти, за да бъдат правилно унищожени.

## Общ преглед на продукта

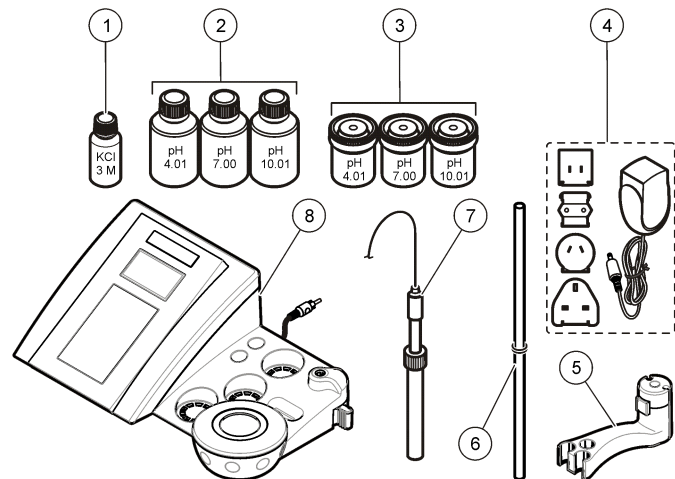
Измервателните устройства от серията ensION™+ се използват със сонди за измерване на различни параметри във водата.

Измервателното устройство sensION™+ MM340 разполага с два канала за измерване на pH, ORP (mV) или ISE (концентрация) със селективна сонда. Данните от измерването могат да се запишат и прехвърлят на принтер или компютър.

## Компоненти на продукта

Вижте [Фигура 1](#), за да се уверите, че всички компоненти са получени. Ако някои от компонентите липсват или са повредени, незабавно се свържете с производителя или с търговски представител.

**Фигура 1 Компоненти на измервателното устройство**

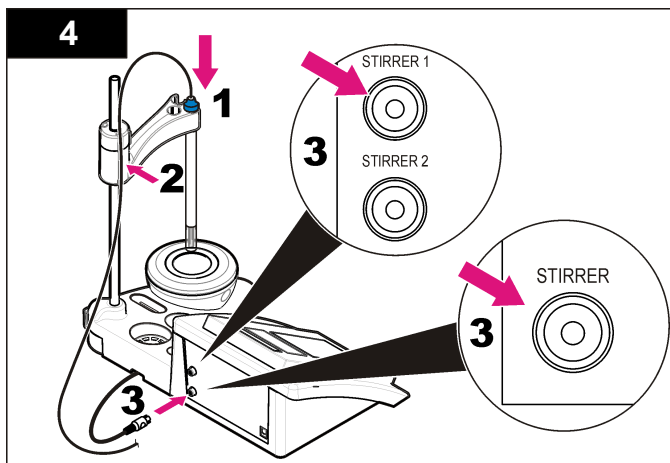
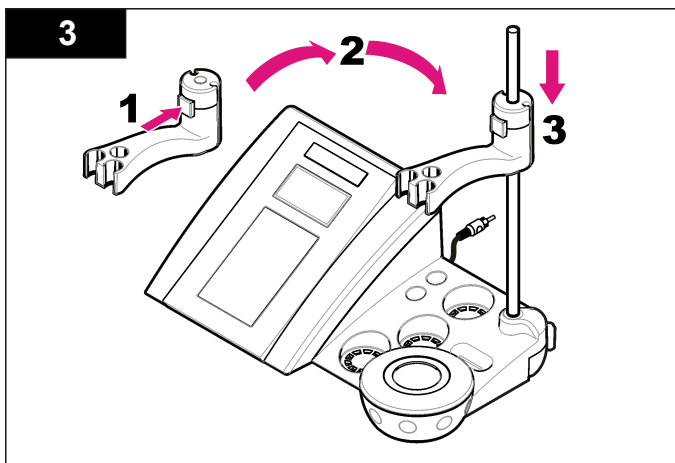
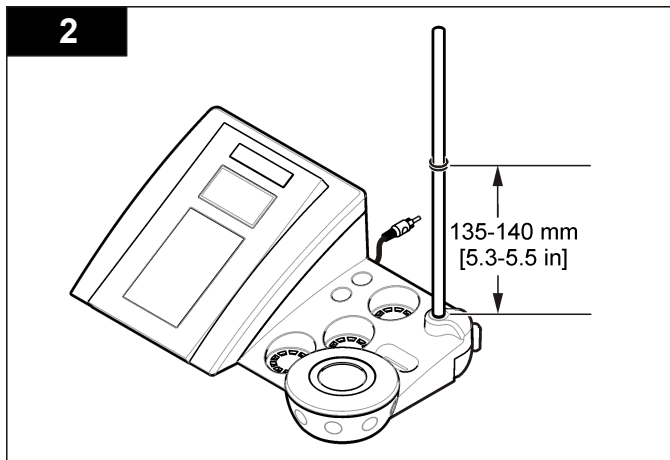
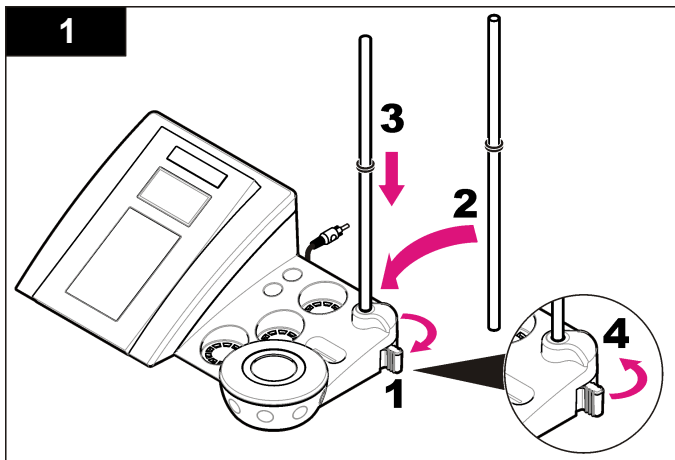


1 Електролит за сондата	5 Държач на сондата
2 Буферни разтвори (рН 4.01, рН 7.00 и рН 10.01)	6 Прът с о-пръстен
3 Улеи за калибрация (с магнитна лента отвътре)	7 Сонда (приложена само към комплектите)
4 Захранване	8 Измервателно устройство

## Инсталиране


### Поставете държача на сондата

Приложете номерираните стъпки, за да поставите държача на сондата и да съедините магнитната бъркалка.



## Свързване към променливотоково захранване

**⚠ ОПАСНОСТ**

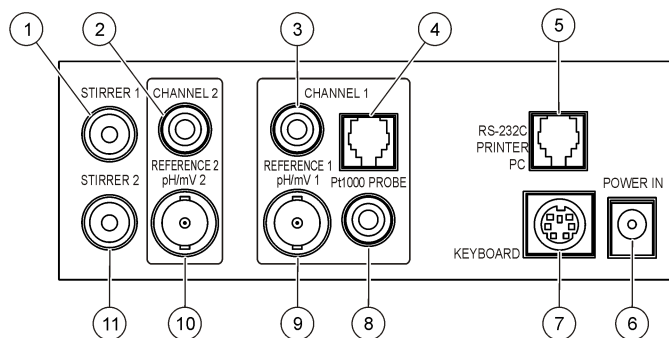


Опасност от електрически удар. Ако това оборудване се използва на открито или на потенциално мокри места, трябва да се използва устройство за изключване при късо съединение (GFCI/GFI) за свързване на оборудването към основния захранващ източник.

Измервателното устройство може да се захранва с променлив ток чрез универсален захранващ адаптер.

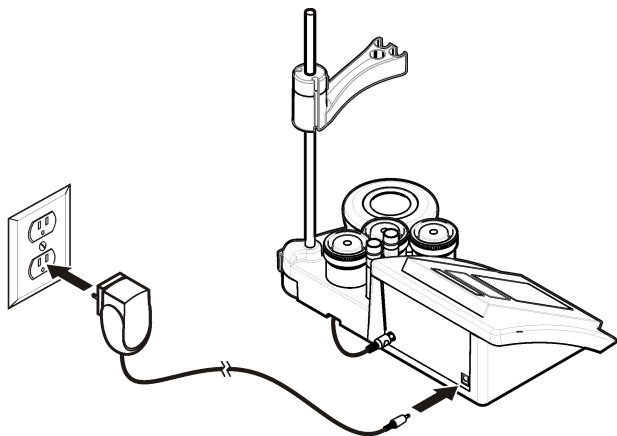
1. Изберете правилния щепсел за адаптера за извода за захранване от комплекта на адаптера.
2. Свържете универсалния захранващ адаптер към измервателното устройство (Фигура 2).
3. Свържете универсалния захранващ адаптер към променливотоков контакт (Фигура 3).
4. Включете измервателното устройство.

Фигура 2 Панел на конектора



1 Конектор на магнитна бъркалка 1, Канал 1	7 Компютърна клавиатура, мини DIN конектор
2 Конектор на референтния електрод (отделени електроди), Канал 1	8 Конектор на температурна сонда, Канал 2
3 Конектор на референтния електрод (отделени електроди), Канал 2	9 Конектор на комбинирания pH електрод (или индикатор), Канал 2
4 Конектор на отделна температурна сонда, Канал 2	10 Конектор на комбинирания pH електрод (или индикатор), Канал 1
5 RS-232 за принтер или компютърен конектор	11 Конектор на магнитна бъркалка 2, Канал 2
6 Захранване	

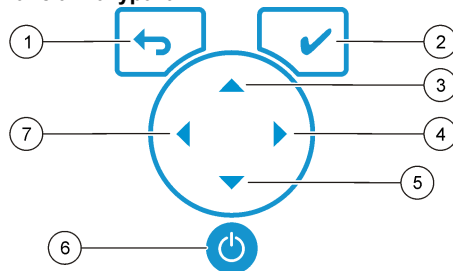
Фигура 3 Свързване към променливотоково захранване



## Потребителски интерфейс и навигация

### Потребителски интерфейс

#### Описание на клавиатурата



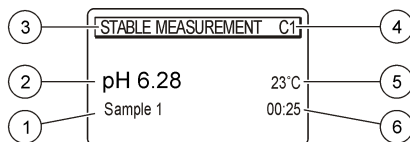
1 Клавиш RETURN (ВРЪЩАНЕ): отменя или излиза от екрана на текущото меню и се връща на екрана на предишното меню	5 Клавиш DOWN (НАДОЛУ): преминавате на други опции, променят стойност
2 Клавиш MEASUREMENT (ИЗМЕРВАНЕ): потвърждават избраната опция	6 Вкл./Изкл.: включване или изключване на измервателното устройство
3 Клавиш НАГОРЕ: преминават на други опции, променят стойност	7 Клавиш LEFT (ЛЯВО): преминават от Канал 1 на Канал 2 и обратно, въвеждат числа и букви
4 Клавиш RIGHT (ДЯСНО): преминават от Канал 1 на Канал 2 и обратно, въвеждат числа и букви	

#### Описание на дисплея

Дисплеят на измервателното устройство показва концентрацията, мерните единици, температурата, състоянието на калибриране, ИД на оператора, ИД на пробата, датата и часа.



**Фигура 4** Дисплей с единичен екран



1 ID на проба	4 Температура на пробата (°C или °F)
2 Мерна единица и стойност (pH, ORP (mV) или ISE)	5 Таймер за визуално измерване
3 Режим на измерване или час и дата	

## Навигация

С помощта на ↶ се върнете на предишното меню. С помощта на клавиша за измерване ✓ направете пробно измерване или потвърдете опциите. С помощта на клавишите със стрелки ▲ ▼ прегледайте останалите опции или сменете опция. За да промените параметрите, използвайте клавишите със стрелки ◀ ▶ За конкретни инструкции разгледайте всяка задача поотделно.

## Включване

### Включване и изключване на уреда

#### Забележка

Проверете дали сондата е включена в измервателното устройство преди неговото включване.

Натиснете ⏻, за да включите или изключите измервателното устройство. Ако измервателното устройство не се включи, уверете се, че променливотоковото захранване е правилно свързано към електрически контакт.

## Смяна на езика

Екранният език се избира при включването на уреда за първи път.

1. Използвайте ▲ или ▼, за да изберете език от списъка.
2. Потвърдете с ✓. На екрана на измерванията се появява DATA OUTPUT (ИЗВЕДЕНИ ДАННИ).
3. Ако няма свързан компютър или принтер, изберете "Deactivated" (Деактивиран) и потвърдете. За допълнителна информация относно изведените данни разгледайте [Изберете крайни данни](#) на страница 224.

## Стандартна операция

### Калибриране

#### ▲ ПРЕДУПРЕЖДЕНИЕ

Опасност от химическа експлозия. Спазвайте лабораторните процедури за безопасност и носете пълното необходимо лично предпазно оборудване при боравене със съответните химически вещества. За информация относно протоколите по безопасност, разгледайте настоящите информационни листове за безопасност на материалите (ИЛБ).

### Настройки за калибриране

Настройките за калибрация съдържат тип на калибрация, честота на калибрация и опции на дисплея.

1. От главното меню изберете ▲ или ▼, за да посочите CALIBRATION (КАЛИБРАЦИЯ). Потвърдете.
2. Използвайте ▲, за да отворите менюто за калибриране.
3. Използвайте ▲ или ▼, за да изберете следните опции:

Опция	Описание
Устойчивост на кал.:	Критерии за устойчивост - изберете Бърз, Стандартен или Стриктен.

Опция	Описание
<b>Тип калибрация</b>	Тип калибрация - изберете технически буфери, DIN19266 буфери, потребителски буфери, към X стойност, въвеждане на данни или теоретична калибрация. Направете справка в <a href="#">Calibration types</a> за повече информация.
<b>Кал. честота</b>	Напомняне за калибрация - може да се настрои в обхват 0 – 7 дни (по подразбиране е ежедневно). На дисплея се показва оставащото време до следващото калибриране. Направете справка в <a href="#">Задайте напомняне за калибрация</a> на страница 223 за повече информация.
<b>Показва се mV</b>	Показва се mV - изберете ДА или НЕ, за да се покаже mV.
<b>Стандарт 220 mV</b>	Стандарт 220 mV - калибрирайте със стандартен разтвор от 220 mV
<b>Към X стойност</b>	Към X стойност - използвайте конкретен стандартен разтвор. Коригирайте настройката по време на калибрирането.
<b>Въвеждане на данни</b>	Компенсация при въвеждане на данни - въведете компенсаторната стойност
<b>Фабрична корекция</b>	Фабрична корекция - въведете компенсаторната стойност

### Типове на калибрация

Може да изберете различни типове на калибрация.

1. От главното меню изберете ▲ или ▼, за да посочите CALIBRATION (КАЛИБРАЦИЯ). Потвърдете.
2. Използвайте ▲, за да отворите менюто за калибриране.
3. ▲▼ Тип на калибрация.



Опция	Описание
<b>Технически буфери</b>	pH 2.00, 4.01, 7.00, 9.21 и 10.01 при 25°C (77°F)

Опция	Описание
<b>DIN19266 буфери</b>	pH 1.679, 4.006, 6.865, 7.000, 9.180, 10.012 и 12.454
<b>Потребителски буфери</b>	Избрани, когато не се използват техническите или DIN19266 буферите. Разгледайте стойностите на <a href="#">Технически решения за буфери (DIN 19267)</a> на страница 233 pH или специфични буфери при различни температури.
<b>Калибрация към X стойност</b>	За да настроите ръчно произволна стойност по скалата на измереното pH.
<b>Въвеждане на данни</b>	Ръчно константно въвеждане в сондата
<b>Теоретична калибрация</b>	Данните от калибрацията на сондата се заменят при 25°C (77°F).

### Калибровъчна процедура

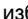


Тази процедура е за стандартно предназначение при работа с течни разтвори за калибрация. За допълнителна информация разгледайте документите, включени към всяка сонда. **Забележка:** По време на калибрацията разтворите трябва да бъдат разбърквани. За допълнителна информация относно настройките на разбъркване разгледайте [Сменете настройките на разбъркване](#) на страница 225.

1. Излейте буферите или разтворите за калибрация в обозначените с етикети тръбички за калибрация.
2. От главното меню използвайте ▲ или ▼ и ◀▶, за да изберете параметъра CALIBRATION (КАЛИБРАЦИЯ). Потвърдете.
3. Ако е необходимо, изберете ИД на оператор (от 1 до 10) и потвърдете.
4. Промийте сондата с йонизирана вода и я поставете в първата тръбичка за калибрация. Уверете се, че в диафрагмата няма никакви навлезли въздушни мехурчета.
5. Натиснете ✓, за да започнете калибрацията.
6. Натиснете ✓, за да измерите първия разтвор за калибрация. Показва се следващият разтвор за калибрация.

7. Промийте сондата с йонизирана вода и я поставете във втората тръбичка за калибрация. Уверете се, че в диафрагмата няма никакви навлезли въздушни мехурчета.
8. Натиснете , за да измерите втория разтвор за калибрация. Показва се следващият разтвор за калибрация.
9. Промийте сондата с йонизирана вода и я поставете в третата тръбичка за калибрация. Уверете се, че в диафрагмата няма никакви навлезли въздушни мехурчета.
10. Натиснете , за да измерите третия разтвор за калибрация. След като постигнете добро ниво на калибриране, на дисплея е кратко се показва съобщението "Calibration OK" (Калибрацията е ОК), след което се връща в главното меню.  
*Забележка: След като се включи принтер, се отваря менюто за печат и резултатът може да се отпечата.*

## Преглед на данните за калибриране











Могат да се покажат данните от последните калибрации.

1. От главното меню изберете  или , за да посочите DATA LOGGER (ВЪВЕЖДАНЕ НА ДАННИ). Потвърдете.
2. Изберете да се покажат данни.
3. Изберете Данни от калибриране и потвърдете с  Появяват се данните от последната калибрация.
  - pH - стойностите на наклона и отместването се показват, редувайки с с отклонението (в %) и температурата на калибрация.
  - ORP - извеждат се измерената стойност на mV и температурата на калибриране.
  - Проводимост - извеждат се проточната клетка и температурата на калибриране за всеки стандарт.

## Задайте напомняне за калибрация






Напомнянето за калибрация може да се настрои от 0 до 23 часа или 1 - 7 дни (по подразбиране е 1 ден). На дисплея се показва оставащото време до следващото калибриране.

*Забележка: Когато изберете да е 0 дни, напомнянето за калибрация се изключва.*

1. От главното меню изберете  или , за да посочите CALIBRATION (КАЛИБРАЦИЯ). Потвърдете.
2. Използвайте , за да отворите менюто за калибриране.
3. Използвайте  или , за да изберете честота на калибриране и потвърдете.
4. Използвайте  и , за да преминете на следващата стъпка и използвайте  или , за да промените стойност. Потвърдете. Натиснете , за да започнете калибрацията.


## Пробни измервания

Всяка сонда има конкретни подготвителни стъпки и процедури за извършване на измервания на проби.

1. От главното меню използвайте  или  и  и , за да изберете параметъра MEASURE (ИЗМЕРИ). Потвърдете.
2. Използвайте , за да промените следните настройки. Потвърдете всеки запис.

Опция	Описание
<b>Разрешаваща способност</b>	Изберете разрешаващата способност: 1, 0,1, 0,01 (по подразбиране) или 0,001
<b>Измерване</b>	Устойчивост - изберете по устойчивост Критерии: Бърз (вариация < 0,02 pH за 6 сек.), Стандартен (вариация < 0,01 pH за 6 сек.) или Стриктен (вариация < 0,002 pH за 6 сек.). В непрекъснат режим - въведете времевия интервал за комплекта В непрекъснат режим. интервал (съхраняване на данни или данни за печат). По време - въведете времевия интервал за съхраняване на данни или данните за печат.

Опция	Описание
<b>Показват се mV</b>	Показва се mV - изберете ДА или НЕ, за да се покаже mV.
<b>Ограничения</b>	Ограничения - изберете ДА или НЕ. ДА: въведете горната и долната граница. Когато измерването е извън границите, се появява звуково предупреждение. Когато измерването е извън границите устройство за отчети показва А до измерената стойност.
<b>Изопотенциал</b>	Изопотенциал - променете pH стойността на изопотенциала в полето за въвеждане на данни. Изберете "Calculate" (Изчисли), за да калибрирате отново сондата.

3. Натиснете , за да започнете измерването.

***Забележка:** Ако измерването не се стабилизира след 120 сек., измерващото устройство автоматично преминава в режим на непрекъснато измерване.*

## Усъвършенствана операция

### Редактира мерните единици

Мерните единици могат да се променят поотделно за всеки канал.

1. От главното меню изберете ▲ или ▼, за да посочите SYSTEM (СИСТЕМА). Потвърдете.
2. Използвайте ▲ или ▼, за да изберете Мерни единици, след което потвърдете.
3. Изберете Канал 1 или Канал 2 и потвърдете.
4. Изберете ORP (mV), pH или ISE и потвърдете.

### Използване на ИД на проба

Маркерът за ID на проба се използва за свързване на отчитанията с конкретното място на пробата. Запомнените данни включват този ID, ако е зададен.

1. От главното меню изберете ▲ или ▼, за да посочите SYSTEM (СИСТЕМА). Потвърдете.
2. Използвайте ▲ или ▼, за да изберете ID на проба, след което потвърдете.
3. Използвайте ▲ или ▼, за да изберете

Опция	Описание
<b>Автоматична</b>	За всяка проба автоматично ще се присвои пореден номер.
<b>Ръчно</b>	Преди да направите измерване, за да въведете ИД на пробата е необходима клавиатура или скенер на баркод (максимално 15 знака).

## Изберете крайни данни

Данните могат да се записват или прехвърлят на принтер или компютър.

1. От главното меню изберете ▲ или ▼, за да посочите SYSTEM (СИСТЕМА). Потвърдете.
2. Използвайте ▲ или ▼, за да изберете "Data Output" (Крайни данни), след което потвърдете.
3. Използвайте ▲ или ▼, за да изберете

Опция	Описание
<b>Деактивиран</b>	Ако няма свързан компютър или принтер, изберете "Deactivated" (Деактивиран).
<b>За принтер</b>	Изберете матричен или термален принтер.
<b>За компютър</b>	Изберете Терминал, LabCom или LabCom Easy. Софтуерът LabCom управлява няколко модула, устройствата за измерване на pH и проводимостта, автоматични бюрети, проби и др. от компютър. Софтуерът LabCom Easy извлича данни за pH и проводимостта от компютър.

## Промяна на датата и часа

Можете да промените датата и часа от менюто Дата/час.

1. От главното меню изберете ▲ или ▼, за да посочите SYSTEM (СИСТЕМА). Потвърдете.
2. Използвайте ▲ или ▼, за да изберете Дата/час, след което потвърдете.
3. Използвайте ◀ и ▶, за да преминете на следващата стъпка и използвайте ▲ или ▼, за да промените стойност. Потвърдете. Текущите дата и час ще се покажат на дисплея.

## Регулиране на контраста на дисплея

1. От главното меню изберете ▲ или ▼, за да посочите SYSTEM (СИСТЕМА). Потвърдете.
2. Използвайте ▲ или ▼, за да изберете "Display contrast" (Контраст на дисплея), след което потвърдете.
3. Използвайте ◀ и ▶, за да настроите контраста на дисплея, след което потвърдете.

## Настройте температурата

Температурата може да се настрои на 25°C (77°F) и/или 85°C (185°F) с цел да се повиши точността.

1. Поставете сондата и референтен термометър в контейнер с вода на температура от около 25°C и позволете на температурата да се стабилизира.
2. Сравнете температурата, измерена от устройството за измерване, с тази на референтния термометър. Разликата представлява коригиращата стойност на устройството за измерване.  
Пример: референтен термометър: 24,5°C; устройство за измерване: 24,3°C. Коририраща стойност: 0,2°C.
3. Въведете коригиращата стойност за измерването от 25°C:

- a. От главното меню изберете ▲ или ▼, за да посочите SYSTEM (СИСТЕМА). Потвърдете.
  - b. Използвайте ▲ или ▼, за да изберете "Readjust temp." (Пренастройка на темп.) и потвърдете.
  - c. Изберете Канал 1 или Канал 2 и потвърдете. Температурата на канал 1 се измерва чрез проводимата клетка, а канал 2 се измерва чрез сондата за рН. Ако не се включи нито една проводима клетка, стойността на температурата трябва да се въведе ръчно или измерената в канал 2 температура може да се приложи за измервателния уред.
  - d. Използвайте ▲ или ▼, за да изберете 25°C, след което потвърдете.
  - e. Използвайте клавишите със стрелки, за да въведете коригиращата стойност за 25°C. Потвърдете.
4. Поставете сондата и референтен термометър в контейнер с вода на температура от около 85°C и позволете на температурата да се стабилизира.
  5. Сравнете температурата, измерена от устройството за измерване, с тази на референтния термометър. Разликата представлява коригиращата стойност на устройството за измерване.
    - a. Използвайте ▲ или ▼, за да изберете 85°C, след което потвърдете.
    - b. Използвайте клавишите със стрелки, за да въведете коригиращата стойност за 85°C. Потвърдете.
    - c. Изберете "Save changes" (Запис на промени) и потвърдете.

## Сменете настройките на разбъркване

Магнитната бъркалка може да се включи, а скоростта на разбъркване да се промени от меню "Stirring" (Разбъркване).

1. От главното меню изберете ▲ или ▼, за да посочите SYSTEM (СИСТЕМА). Потвърдете.
2. Използвайте ▲ или ▼, за да изберете "Stirring" (Разбъркване), след което потвърдете.
3. За да включите/изключите бъркалката натиснете ✓.

4. Когато бъркалката е включена, използвайте ▲ или ▼, за да промените скоростта на разбъркване в %.

*Забележка: Използвайте ▲ или ▼, за да промените скоростта на разбъркване както по време на калибриране, така и по време на измерване.*

### Включете или изключете бъркалката

Бъркалка 1 работи с Канал 1 и 2 (Бъркалка 1). Към канал 2 може да се включи втора бъркалка (бъркалка 2). За активиране на бъркалка 2 следвайте стъпките по-долу.

1. От главното меню изберете ▲ или ▼, за да посочите SYSTEM (СИСТЕМА). Потвърдете с ✓.
2. Използвайте ▲ или ▼, за да изберете Бъркалка N.2 и потвърдете с ✓.
3. Използвайте ▲ или ▼, за да изберете ДА и да включите бъркалка 2.

*Забележка: Изберете НЕ, за да изключите бъркалка 2.*

### Променете единиците за измерване на температурата

Единиците за измерване на температурата могат да се променят от Целзий на Фаренхайт и обратно.

1. От главното меню изберете ▲ или ▼, за да посочите SYSTEM (СИСТЕМА). Потвърдете.
2. Използвайте ▲ или ▼, за да изберете Единици за измерване на температура, след което потвърдете.
3. Използвайте ▲ или ▼, за да изберете Целзий или Фаренхайт и потвърдете.

## Регистратор на данни

### Показване на данни

Регистърът на показаните данни съдържа данни от измервания, електроден отчет и данни за калибрация. Записаните данни могат да бъдат изпратени до принтер или компютър. Когато регистърът на данните се запълни (400 записа), най-старият запис се изтрива при добавянето на нов.

1. Използвайте ◀ и ▶, за да изберете Канал 1 или Канал 2 и потвърдете.
2. От главното меню изберете ▲ или ▼, за да посочите SYSTEM (СИСТЕМА). Потвърдете.
3. Използвайте ▲ или ▼, за да изберете DATA LOGGER (ВЪВЕЖДАНЕ НА ДАННИ), след което потвърдете.
4. Използвайте ▲ или ▼, за да изберете "Display data" (Показване на данни), след което потвърдете.
5. Използвайте ▲ или ▼, за да изберете

Опция	Описание
Данни от измерването	Данни от измерването - записва автоматично при всяко измерване на проба
Електроден отчет	Електроден отчет - записва автоматично електродната хронология и условията на измерването
Данни от калибрация	Данни от калибрация - записва автоматично текущата калибрация

### Изтриване на данни

Всички данни от измервания или електродния регистър могат да бъдат изтрети с цел да се отстранят данните, които вече са изпратени до принтер или компютър.

1. От главното меню изберете ▲ или ▼, за да посочите SYSTEM (СИСТЕМА). Потвърдете.

2. Използвайте ▲ или ▼, за да изберете DATA LOGGER (ВЪВЕЖДАНЕ НА ДАННИ), след което потвърдете.
3. Използвайте ▲ или ▼, за да изберете "Erase" (Изтриване), след което потвърдете.
4. Използвайте ▲ или ▼, за да изберете "Measurement data" (Данни от измерване) или "Electrode report" (Електроден отчет) и потвърдете. Потвърдете отново, за да изтриете данните. Целият регистър се изтрива наведнъж.

## Изпраща данни до принтер или компютър

### Забележка

Най-напред трябва да се избере устройството за данни (принтер или компютър), така че менюто "Print" (Печа) да е активно (разгледайте [Изберете крайни данни](#) на страница 224).

**Забележка:** Разгледайте [Устройство за отчети](#) на страница 227, за да изберете типа на устройството за отчети.

1. От главното меню изберете ▲ или ▼, за да посочите SYSTEM (СИСТЕМА). Потвърдете.
2. Използвайте ▲ или ▼, за да изберете DATA LOGGER (ВЪВЕЖДАНЕ НА ДАННИ), след което потвърдете.
3. Използвайте ▲ или ▼, за да изберете "Print" (Печат), след което потвърдете. Изберете една от следните опции и потвърдете с ✓, за да отпечатате данните: Measurement data, Electrode data, Calibration data, Calibration report или Instrument condit. (Данни от измерването, Данни за електрод, Данни от калибриране, Отчет от калибриране или Състояние на инструмент).

## Устройство за отчети

### Забележка

Най-напред трябва да се избере устройството за данни (принтер или компютър), така че менюто "Type of report" (Тип отчет) да е активно (разгледайте [Изберете крайни данни](#) на страница 224).

Когато има свързан принтер или компютър, можете да изберете различни устройства за отчети.

1. От главното меню изберете ▲ или ▼, за да посочите SYSTEM (СИСТЕМА). Потвърдете.
2. Използвайте ▲ или ▼, за да изберете типа на отчета и потвърдете.
3. Когато има свързан принтер или компютър и терминал, използвайте ▲ или ▼, за да изберете

Опция	Описание
Мален	Изберете Няколко или Една проба като изходен формат
Стандарт	Изберете Няколко или Една проба като изходен формат. Изберете няколко: <b>Потребители:</b> Името на потребителя се появява на отчета за печат (17 знака). <b>Горен колонтитул:</b> Името на компанията може се добави в горния колонтитул (40 знака) и се появява в отчета за печат. <b>Идентифициране на сензор:</b> Моделът и серийният номер на сензора могат да се добавят и да излизат в отчета за печат.
GLP	Изберете Няколко или Една проба като изходен формат. Изберете няколко: <b>Потребители:</b> Името на потребителя се появява на отчета за печат (17 знака). <b>Горен колонтитул:</b> Името на компанията може се добави в горния колонтитул (40 знака) и се появява в отчета за печат. <b>Идентифициране на сензор:</b> Моделът и серийният номер на сензора могат да се добавят и да излизат в отчета за печат.
4.	Когато има включен компютър и е избрана опция LabCom Easy <a href="#">Изберете крайни данни</a> на страница 224 (разгледайте за допълнителна информация), използвайте ▲ или ▼ за избор на

Опция	Описание
Потребители	Името на потребителя се появява в отчета за печат (17 знака).
Идентифициране на сензор	Моделът и серийният номер на сензора могат да се добавят и да излизат в отчета за печат.

## Поддръжка

### ▲ ПРЕДУПРЕЖДЕНИЕ

Множествена опасност. Не разглобявайте инструмента с цел извършване на поддръжка или обслужване. Ако трябва да почистите или отремонтирате вътрешни компоненти, се свържете с производителя.

### ▲ ВНИМАНИЕ

Опасност от нараняване. Задачите, описани в този раздел на ръководството, трябва да се извършват само от квалифициран персонал.

## Почистете инструмента

### Забележка

Никога не използвайте почистващи вещества от типа на турпентин, ацетон или подобни на тях за почистване на инструмента, включително дисплея и принадлежностите му.

Почиствайте външната повърхността на инструмента с влажна кърпа и мек сапунен разтвор.

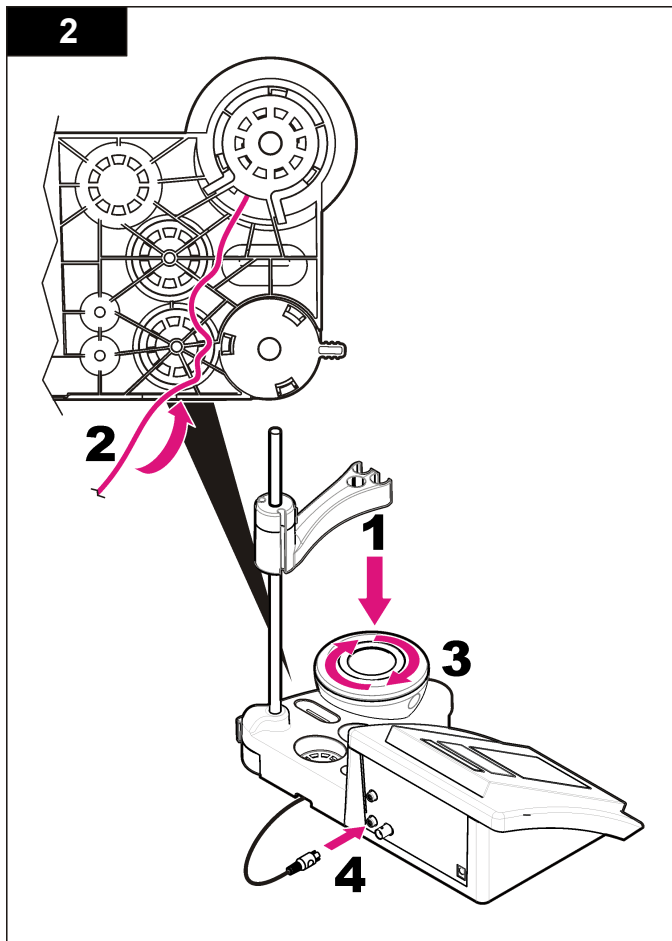
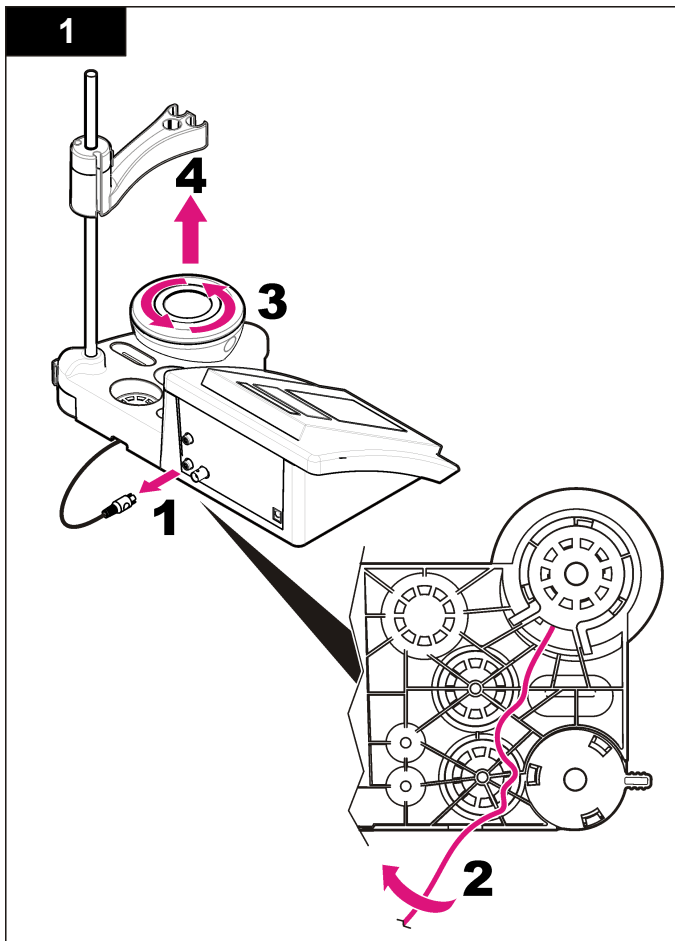
## Почистете сондата

Почистете сондата, ако се налага. За допълнителна информация относно почистването разгледайте [Отстраняване на повреди](#) на страница 230. За информация относно поддръжката на сондата разгледайте документацията към нея.

## Сменете магнитната бъркалка

Ако магнитната бъркалка не се активира, я сменете, като приложите номерираните стъпки.





## Отстраняване на повреди

Вижте следващата таблица за често срещани съобщения или симптоми за проблеми, възможни причини и корективни действия.

**Таблица 1 Предупреждения и грешки, свързани с калибрация**

Грешка/Предупреждение	Разтвор
Асиметрия > 58 mV	Наклонът е извън обхват (допустими стойности $\pm 58$ mV). Калибрирайте отново. Свържете нова сонда.
Буферът или електродът е в лошо състояние.	Огледайте сондата: почистете сондата (разгледайте <a href="#">Почистете сондата</a> на страница 228 за повече информация); уверете се, че в мембраната няма никакви въздушни мехурчета. Разклатете сондата подобно на термометър; поставете друга сонда, за да проверите дали проблемът е в сондата или в устройството за измерване.  Огледайте буферния разтвор: уверете се, че използваният буфер съответства на указания в конфигурацията; проверете температурната спецификация в конфигурацията; използвайте нов буферен разтвор.
БУФЕРЪТ НЕ Е РАЗПОЗНАТ	Калибрирайте отново.
Чувств. (a) < 70%	Огледайте сондата: почистете сондата (разгледайте <a href="#">Почистете сондата</a> на страница 228 за повече информация); уверете се, че в мембраната няма никакви въздушни мехурчета. Разклатете сондата подобно на термометър; поставете друга сонда, за да проверите дали проблемът е в сондата или в устройството за измерване.  Огледайте буферния разтвор: уверете се, че използваният буфер съответства на указания в конфигурацията; проверете температурната спецификация в конфигурацията; използвайте нов буферен разтвор.

**Таблица 1 Предупреждения и грешки, свързани с калибрация (продължава)**

Грешка/Предупреждение	Разтвор
НЕУСТОЙЧИВИ ПОКАЗАНИЯ Време t > 100 сек.	Калибрирайте отново.  Огледайте сондата: почистете сондата (разгледайте <a href="#">Почистете сондата</a> на страница 228 за повече информация); уверете се, че в мембраната няма никакви въздушни мехурчета. Разклатете сондата подобно на термометър; поставете друга сонда, за да проверите дали проблемът е в сондата или в устройството за измерване.  Проверете дали мембраната и диафрагмата са правилно потопени в пробата.
Проверете температурата. Проверете електродите	Вижте каква е спецификацията на температурата, посочена в конфигурацията.  Огледайте сондата: почистете сондата (разгледайте <a href="#">Почистете сондата</a> на страница 228 за повече информация); уверете се, че в мембраната няма никакви въздушни мехурчета. Разклатете сондата подобно на термометър; поставете друга сонда, за да проверите дали проблемът е в сондата или в устройството за измерване.

**Таблица 1 Предупреждения и грешки, свързани с калибрация (продължава)**

Грешка/Предупреждение	Разтвор
Електродът е в лошо състояние.	Огледайте сондата: почистете сондата (разгледайте <a href="#">Почистете сондата</a> на страница 228 за повече информация); уверете се, че в мембраната няма никакви въздушни мехурчета. Разклатете сондата подобно на термометър; поставете друга сонда, за да проверите дали проблемът е в сондата или в устройството за измерване.
Проверете електрода.	
ЕДНАКВИ БУФЕРИ	Калибрирайте отново. Огледайте сондата: почистете сондата (разгледайте <a href="#">Почистете сондата</a> на страница 228 за повече информация); уверете се, че в мембраната няма никакви въздушни мехурчета. Разклатете сондата подобно на термометър; поставете друга сонда, за да проверите дали проблемът е в сондата или в устройството за измерване. Огледайте буферния разтвор: използвайте нов буферен разтвор.

**Таблица 2 Предупреждения и грешки, свързани с измерване**

Грешка/Предупреждение	Разтвор
pH 12,78 19°C	Калибрирайте отново.
pH е извън диапазона	Огледайте сондата: почистете сондата (разгледайте <a href="#">Почистете сондата</a> на страница 228 за повече информация); уверете се, че в мембраната няма никакви въздушни мехурчета. Разклатете сондата подобно на термометър; поставете друга сонда, за да проверите дали проблемът е в сондата или в устройството за измерване.

**Таблица 2 Предупреждения и грешки, свързани с измерване (продължава)**

Грешка/Предупреждение	Разтвор
Температурата е извън обхват °C	Проверете сензора за температура. Свържете друга сонда , за да проверите дали проблемът е със сондата или с измервателното устройство.
Време > 60 сек.	Проверете дали мембраната и диафрагмата са правилно потопени в пробата.
Време > 150 сек.	
Време > 300 сек.	Проверете температурата. Огледайте сондата: почистете сондата (разгледайте <a href="#">Почистете сондата</a> на страница 228 за повече информация); уверете се, че в мембраната няма никакви въздушни мехурчета. Разклатете сондата подобно на термометър; поставете друга сонда, за да проверите дали проблемът е в сондата или в устройството за измерване.
10,389 mg/L >>>>> 00012 00:13	ISE измерване: измерената стойност е висока от най-високия стандарт, използван в калибрацията. Измерете отново.
0,886 mg/L <<<<<<< 00018 00:11	ISE измерване: измерената стойност е ниска от най-ниския стандарт, използван в калибрацията. Измерете отново.

## Резервни части и аксесоари

**Забележка:** Продуктовите и каталожните номера може да се различават в някои региони на продажба. Свържете се със съответния дистрибутор или посетете уебсайта на компанията за информация за контакт.

## Резервни части

Описание	Каталожен номер
sensION+ PH3 Lab pH-измервателно устройство с принадлежности, без сонда	LPV2000.98.0002
sensION+ PH31 Lab pH-измервателно устройство с принадлежности, без сонда	LPV2100.98.0002
sensION+ MM340 Lab pH & Ion-измервателно устройство, GLP, 2 канала, с принадлежности, без сонда	LPV2200.98.0002
sensION+ EC7 Lab устройство за измерване на проводимост, с принадлежности, без сонда	LPV3010.98.0002
sensION+ EC71 Lab устройство за измерване на проводимост, GLP, с принадлежности, без сонда	LPV3110.98.0002
sensION+ MM374, 2-канално Lab измервателно устройство, GLP, принадлежности, без сонди	LPV4110.98.0002

## Консумативи

Описание	Каталожен номер
pH буферен разтвор 4.01, 125 mL	LZW9460.99
pH буферен разтвор 7.00, 125 mL	LZW9461.98
pH буферен разтвор 10.01, 125 mL	LZW9470.99
pH буферен разтвор 4.01, 250 mL	LZW9463.99
pH буферен разтвор 7.00, 250 mL	LZW9464.98
pH буферен разтвор 10.01, 250 mL	LZW9471.99
pH буферен разтвор 4.01, 1000 mL	LZW9466.99
pH буферен разтвор 7.00, 1000 mL	LZW9467.98
pH буферен разтвор 10.01, 1000 mL	LZW9472.99
Електролитен разтвор (KCl 3M), 125 mL	LZW9510.99

## Резервни части и аксесоари (продължава)

Описание	Каталожен номер
Електролитен разтвор (KCl 3M), 250 mL	LZW9500.99
Електролитен разтвор (KCl 3M), 50 mL	LZW9509.99
Електролитен разтвор (KCl 0,1M), 125 mL	LZW9901.99
Ензимен разтвор	2964349
Почистващ препарат с пепсин	2964349
Електроден почистващ разтвор	2965249
Разтвор на 0,1 N HCl	1481253

## Принадлежности

Описание	Каталожен номер
Термален принтер, RS232, за sensION+ модул отгоре	LZW8201.99
Термален принтер за принтер LZW8201, плик с 5 ролки	LZW9117.99
Сериен матричен принтер, RS232, за инструменти sensION+	LZW8200.99
Стандартна хартия за принтер LZW8200, плик с 10 ролки	LZW9000.99
Лента за принтер LZW8200, 3 броя	LZW9001.99
LabCom Easy PC SW, за sensION+ GLP, компакт-диск, кабел, USB адаптер	LZW8997.99
LabCom PC SW, за sensION+ GLP, компакт-диск, кабел, USB адаптер	LZW8999.99
RS232 кабел, за sensION+ работни инструменти	LZW9135.99
RS232 кабел за sensION+ модул, с USB адаптер	LZW9135USB.99
Магнитна бъркалка със сензорна дръжка, за sensION+ MM модул	LZW9319.99

## Резервни части и аксесоари (продължава)

Описание	Каталожен номер
3x50 mL отпечатани улеи за калибрация на pH модул	LZW9110.98
Дръжка за три сензора за инструменти с модул sensION+	LZW9321.99
Дръжка и скоба за три сензора	LZW9155.99
Съгледана кухня от пирекс, измервания за непрекъснат поток	LZW9118.99
PP протектор, електродно хранилище	LZW9161.99

## Стандартни разтвори

### Технически решения за буфери (DIN 19267)

Разгледайте стойностите на [Таблица 3](#) pH и ORP (mV) за специфични буфери при различни температури.

**Таблица 3 pH, ORP (mV) и температурни стойности**

Температура		pH					mV
°C	°F						
0	32	2.01	4.01	7.12	9.52	10.30	—
10	50	2.01	4.00	7.06	9.38	10.17	245
20	68	2.00	4.00	7.02	9.26	10.06	228
<b>25</b>	<b>77</b>	<b>2.00</b>	<b>4.01</b>	<b>7.00</b>	<b>9.21</b>	<b>10.01</b>	<b>220</b>
30	86	2.00	4.01	6.99	9.16	9.96	212
40	104	2.00	4.03	6.97	9.06	9.88	195
50	122	2.00	4.06	6.97	8.99	9.82	178
60	140	2.00	4.10	6.98	8.93	9.76	160
70	158	2.01	4.16	7.00	8.88	—	—

**Таблица 3 pH, ORP (mV) и температурни стойности (продължава)**

Температура		pH					mV
°C	°F						
80	176	2.01	4.22	7.04	8.83	—	—
90	194	2.01	4.30	7.09	8.79	—	—

### Решения за буфери (DIN 19266)

Разгледайте стойностите на [Таблица 4](#) pH и ORP (mV) за специфични буфери при различни температури.

**Таблица 4 pH, ORP (mV) и температурни стойности**

Температура		pH					mV	
°C	°F							
5	32	1.668	4.004	6.951	7.087	9.395	10.245	13.207
10	50	1.670	4.000	6.923	7.059	9.332	10.179	13.003
20	68	1.675	4.001	6.881	7.016	9.225	10.062	12.627
<b>25</b>	<b>77</b>	<b>1.679</b>	<b>4.006</b>	<b>6.865</b>	<b>7.000</b>	<b>9.180</b>	<b>10.012</b>	<b>12.454</b>
30	86	1.683	4.012	6.853	6.987	9.139	9.966	12.289
40	104	1.694	4.031	6.838	6.970	9.068	9.889	11.984
50	122	1.707	4.057	6.833	6.964	9.011	9.828	11.705
60	140	1.723	4.085	6.836	6.968	8.962	—	11.449
70	158	1.743	4.126	6.845	6.982	8.921	—	—

Таблица 4 рН, ОРР (mV) и температурни стойности  
(продължава)

Температура		рН					mV	
°C	°F							
80	176	1.766	4.164	6.859	7.004	8.885	—	—
90	194	1.792	4.205	6.877	7.034	8.850	—	—

## Műszaki adatok

A műszaki adatok előzetes bejelentés nélkül változhatnak.

specifikáció	adatok
Méretek	35 x 20 x 11 cm
Tömeg	1100 g
Műszerház	IP42
Teljesítményfelvétel (külső)	100–240 V, 0,4 A, 47–63 Hz
Műszer védelmi osztálya	II-es osztály
Tárolási hőmérséklet	–15 és +65 °C között
Üzemi hőmérséklet	0–40 °C
Üzemi páratartalom	< 80% (páraleszapódás nélkül)
Felbontás	pH: 0,1/0,01/0,001, ORP: 0,1/1 mV, ISE: programozható, hőmérséklet: 0,1 °C
Mérési hiba (±1 számjegy)	pH: ≤ 0,002, ORP: ≤ 0,2 mV, hőmérséklet ≤ 0,2 °C
Megismételhetőség (±1 számjegy)	pH: ± 0,001, ORP: ± 0,1 mV, hőmérséklet: ± 0,1 °C
Adattárolás	330 eredmény és az utolsó 9 kalibrálás
Csatlakozások	2 kombinált vagy jelzőszonda: BNC csatlakozó (Imp. >10 <sup>12</sup> Ω); 2 referenciaelektroda: banáncsatlakozó; A.T.C., Pt1000 típusú: banán- vagy telefoncsatlakozó; mágneses keverő: RCA csatlakozó; 2 mágneses keverő: RCA csatlakozó
Hőmérséklet-korrekció	Kézi, Pt1000 hőmérséklet-érzékelő (A.T.C.), egyenlő potenciálú pH programozható, szabványérték 7,00
Méréskijelzés rögzítése	Folyamatos mérés, stabilitás alapján

specifikáció	adatok
Kijelző	Folyadékkristályos, háttér-megvilágítással, 128 x 64 képpont
Billeentyűzet	PET védőkezeléssel
Tanúsítvány	CE

## Általános tudnivaló

Az átdolgozott kiadások a gyártó weboldalán találhatóak.

## Biztonsági tudnivaló

### MEGJEGYZÉS

A gyártó nem vállal felelősséget a termék nem rendeltetésszerű alkalmazásából vagy használatából eredő semmilyen kárért, beleértve de nem kizárólag a közvetlen, véletlen vagy közvetett károkat, és az érvényes jogszabályok alapján teljes mértékben elhárítja az ilyen kárigényeket. Kizárólag a felhasználó felelőssége, hogy felismerje a komoly alkalmazási kockázatokat, és megfelelő mechanizmusokat szereljen fel a folyamatok védelme érdekében a berendezés lehetséges meghibásodása esetén.

Kérjük, olvassa végig ezt a kézikönyvet a készülék kicsomagolása, beállítása vagy működtetése előtt. Szenteljen figyelmet az összes veszélyjelző és óvatosságra intő mondatra. Ennek elmulasztása a kezelő súlyos sérüléséhez vagy a berendezés megrongálódásához vezethet.

A berendezés nyújtotta védelmi funkciók működését nem szabad befolyásolni. Csak az útmutatóban előírt módon használja és telepítse a berendezést.

## A veszélyekkel kapcsolatos tudnivalók használata

### ▲ VESZÉLY

Lehetséges vagy közvetlenül veszélyes helyzetet jelez, amely halálhoz vagy súlyos sérüléshez vezet.

## ▲ FIGYELMEZTETÉS

Lehetséges vagy közvetlenül veszélyes helyzetet jelez, amely halálhoz vagy súlyos sérüléshez vezethet.

## ▲ VIGYÁZAT



Lehetséges veszélyes helyzetet jelez, amely enyhe vagy kevésbé súlyos sérüléshez vezethet.

## MEGJEGYZÉS

A készülék esetleges károsodását okozó helyzet lehetőségét jelzi. Különleges figyelmet igénylő tudnivaló.

## Övintézkedést tartalmazó felirati táblák

Olvasson el a műszeren található minden felirati táblát és függő címkét. Ha nem tartja be, ami rajtuk olvasható, személyi sérülés vagy műszer rongálódás következhet be. Ha szimbólum látható a műszeren, ez az útmutatóban is szerepelni fog a veszélyjelző vagy óvatosságra intéző megjegyzésnél.

	Ha a készüléken ez a szimbólum látható, az a használati útmutató kezelési és/vagy biztonsági tudnivalóira utal.
	Az ezzel a szimbólummal jelölt elektromos készülékek 2005. augusztus 12-e után Európában nem helyezhetők a közösségi háztartási hulladékgyűjtő rendszerekbe. Az európai helyi és nemzeti jogi szabályozásnak megfelelően (az Európai Unió 2002/98/EK irányelve) a gyártó vállalja, hogy a régi vagy a lejárt élettartamú európai elektromos készülékeket költségmentesen visszaveszi a felhasználóktól, ártalmatlanítás céljából. <b>Megjegyzés:</b> Az újra feldolgozásra való visszajuttatáshoz kérjük, lépjen érintkezésbe a készülék gyártójával vagy szállítójával, hogy megkapja a lejárt élettartamú készülékek és a gyártó által szállított tartozékok, valamint a kiegészítő darabok visszajuttatásának módjára vonatkozó tájékoztatást, a megfelelő ártalmatlanításhoz.

## A termék áttekintése

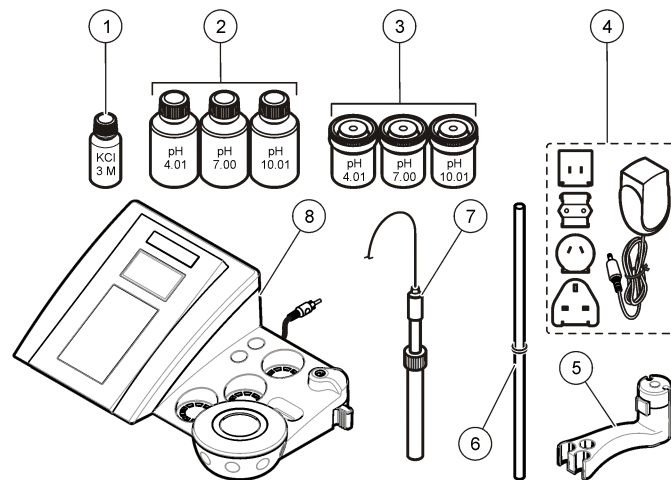
A sensION™+ műszerek megfelelő szondákkal a víz különböző paramétereinek mérésére használhatók.

A sensION™+ MM340 műszer két mérési csatornával rendelkezik, és szelektív szonda segítségével pH, ORP (mV) vagy ISE (koncentráció) mérésére alkalmas. A mérési adatok tárolhatók, és átvihetők nyomtatóra vagy számítógépre.

## A termékhez tartozó alkatrészek

Az összes alkatrész meglétének ellenőrzéséhez lásd: [1. ábra](#). Ha valamelyik tétel hiányzik vagy sérült, forduljon azonnal a gyártóhoz vagy a forgalmazóhoz.

### 1. ábra A műszer alkatrészei



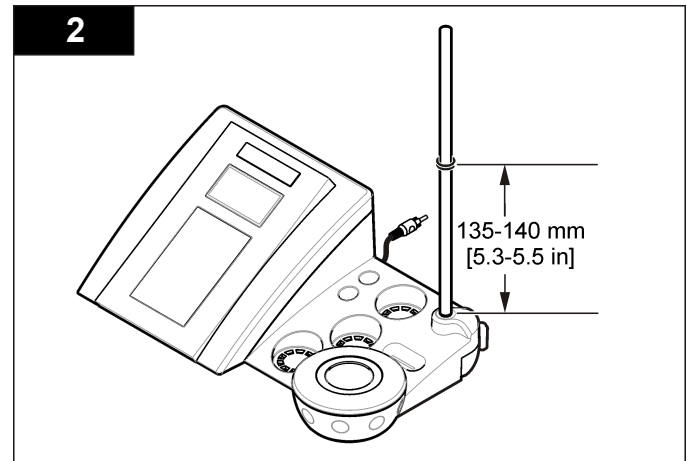
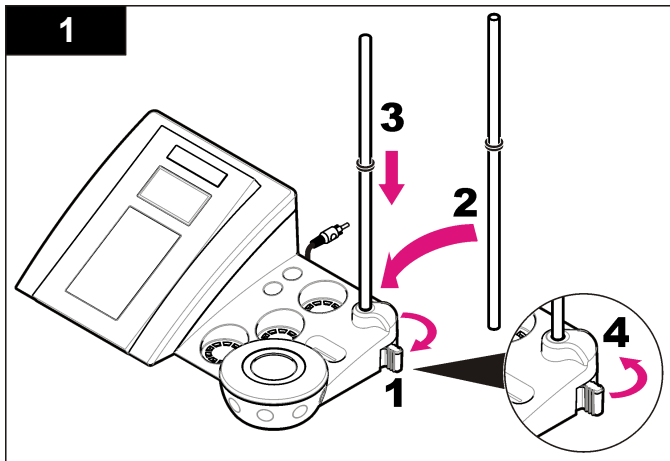
1 Elektrolit a szondához	5 Szondatartó
2 Pufferoldatok (pH 4,01, pH 7,00 és pH 10,01)	6 Rúd O-gyűrűvel
3 Kalibrációs poharak (belül mágnesrúddal)	7 Szonda (csak készletekkel)
4 Hálózati tápegység	8 Műszer

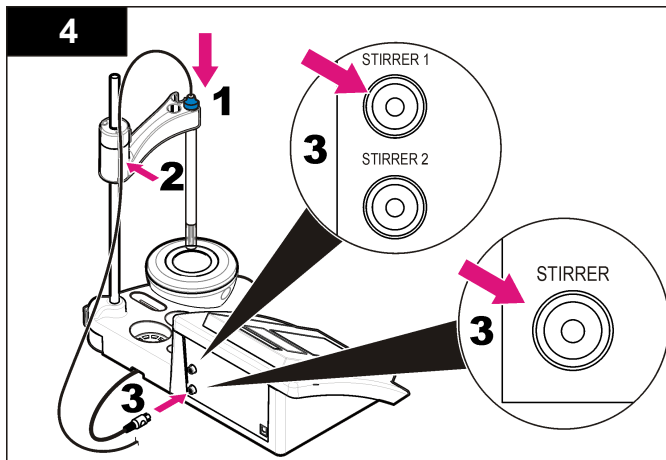
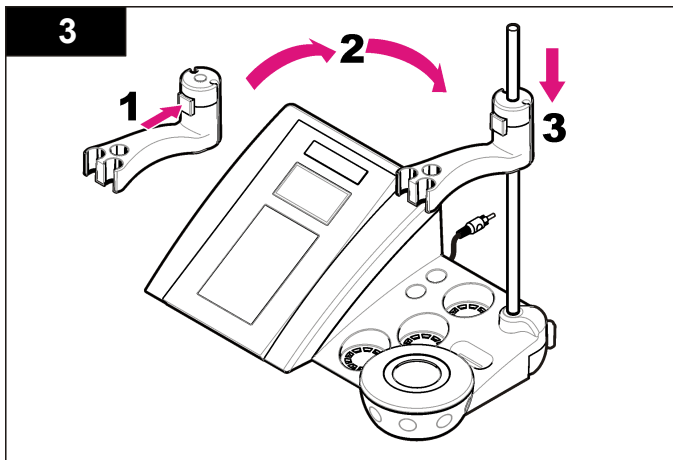


## Beszereelés

### A szondatartó összeszerelése

A szondatartó összeszereléséhez és a mágneses keverő csatlakoztatásához kövesse a számozott lépéseket.





## AC hálózati csatlakoztatás

### ⚠ VESZÉLY

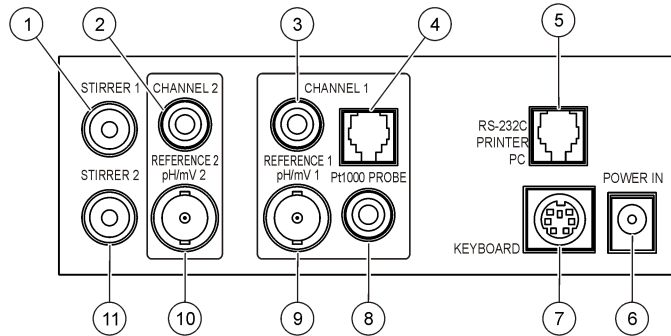


Halálos áramütés veszélye. Ha az eszközt terepen vagy esetlegesen nedves körülmények között használják, földzárlati megszakítót (GFCI/GFI) kell használni a hálózati áramforráshoz való csatlakoztatáskor.

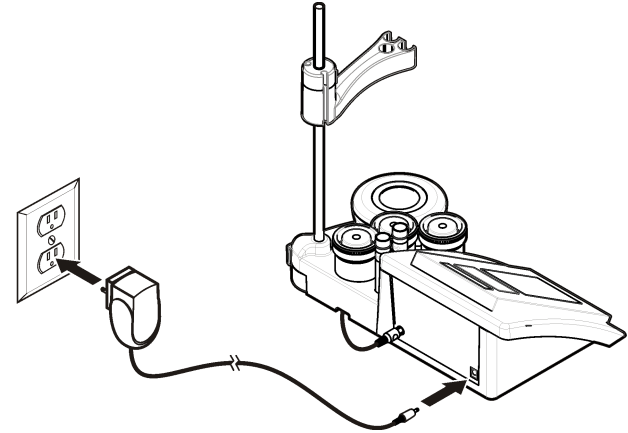
A műszer tápellátása univerzális tápegység segítségével elektromos hálózatról biztosítható.

1. Válassza a hálózati aljzatnak megfelelő tápegységdugót.
2. Csatlakoztassa az univerzális tápegységet a műszerhez (2. ábra).
3. Dugja be az univerzális tápegységet a hálózati dugaszolóaljzatba (3. ábra).
4. Kapcsolja be a műszert.

**2. ábra Csatlakozópanel**



**3. ábra AC hálózati csatlakoztatás**

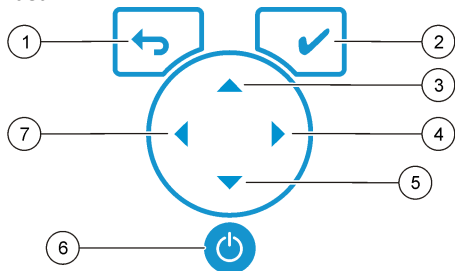


1 1-es mágneses keverő csatlakozója, 1. csatorna	7 PC billentyűzet mini DIN csatlakozója
2 Referenciaelektroda (elkülönített elektródák) csatlakozója, 1. csatorna	8 Hőmérséklet-érzékelő csatlakozója, 2. csatorna
3 Referenciaelektroda (elkülönített elektródák) csatlakozója, 2. csatorna	9 Kombinált pH-elektroda (vagy jelző) csatlakozója, 2. csatorna
4 Független hőmérséklet-érzékelő csatlakozója, 2. csatorna	10 Kombinált pH-elektroda (vagy jelző) csatlakozója, 1. csatorna
5 RS-232 csatlakozó nyomtatóhoz vagy számítógéphez	11 2-es mágneses keverő csatlakozója, 2. csatorna
6 Hálózati tápegység	

## A kezelőfelület és navigálás

### Felhasználói felület

#### Gombok leírása

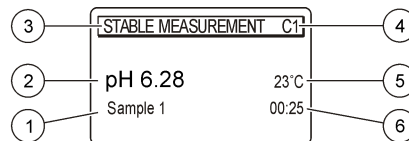


1 VISSZA gomb: aktuális menüképernyő elvetése vagy visszatérés az előző menüképernyőre	5 LE gomb: görgetés más beállításokhoz, érték módosítása
2 MÉRÉS gomb: a kijelölt beállítás jóváhagyása	6 BE/KI: a műszer be- és kikapcsolása
3 FEL gomb: görgetés más beállításokhoz, érték módosítása	7 BALRA gomb: váltás az 1. csatorna és a 2. csatorna között, számok és betűk bevitelle
4 JOBBRA gomb: váltás az 1. csatorna és a 2. csatorna között, számok és betűk bevitelle	

### A kijelző ismertetése

A műszer kijelzője megjeleníti a koncentrációt, a mértékegységeket, a hőmérsékletet, a kalibrálási állapotot, a kezelői azonosítót, a mintaazonosítót, a dátumot és az időpontot.

### 4. ábra Egyképernyős kijelzés



1 Mintaazonosító	4 Minta hőmérséklete (°C vagy °F)
2 Mértékegység és érték (pH, ORP (mV) vagy ISE)	5 Vizuális mérési időzítő
3 Mérés üzemmód vagy időpont és dátum	

### Navigálás

A ↩ gombbal visszatérhet az előző menüre. Minta mérésének végrehajtásához vagy beállítások jóváhagyásához használja a ✓ (mérés) gombot. A ▲ ▼ nyílombokkal másik beállításra léphet, vagy értéket módosíthat. A paraméterek módosításához használja a ◀ ▶ nyílombokat. Ehhez nézze meg az egyes feladatokhoz tartozó utasításokat.

### Beindítás

#### A műszer be- és kikapcsolása

#### MEGJEGYZÉS

A műszer bekapcsolása előtt ügyeljen arra, hogy a szonda csatlakoztatva legyen.

A műszer be- vagy kikapcsolásához nyomja meg a ⏻ gombot. Ha a műszer nem kapcsol be, ellenőrizze a tápegység megfelelő csatlakoztatását a hálózati aljzatba.

## A nyelv megváltoztatása

A kijelző nyelve a műszer első bekapcsolásakor adható meg.

1. A ▲ vagy a ▼ gombbal jelölje ki a nyelvet a listán.
2. Hagyja jóvá a ✓ gomb megnyomásával. A mérési képernyőn a DATA OUTPUT (ADATKIMENET) felirat jelenik meg.
3. Válassza a Deactivated (Kikapcsolva) beállítást, ha nincs nyomtató vagy számítógép csatlakoztatva, és hagyja jóvá. A további tudnivalókat lásd: [Adatkimenet választása](#) oldalon 244.

## Normál üzemeltetés

### Kalibrálás

#### ▲ FIGYELMEZTETÉS

Kémiai behatás veszélye. Kövesse a laboratóriumi biztonsági eljárásokat, és viselje a kezelt vegyszereknek megfelelő összes személyes védőfelszerelést. A biztonsági protokollal kapcsolatban lásd az aktuális anyag biztonsági adatlapjait (MSDS).

### Kalibrálási beállítások

A kalibrálási beállítások közé tartozik a kalibrálás típusa, gyakorisága és a megjelenítési lehetőségek.

1. A főmenün a ▲ vagy a ▼ gombbal jelölje ki a CALIBRATION (KALIBRÁLÁS) elemet. Hagyja jóvá.
2. A ▲ gombbal lépjen a kalibrálási menübe.
3. A ▲ vagy a ▼ válasszon a következő beállítások közül:

Opció	Leírás
<b>Stability C. (Stabilitási kr.):</b>	Stabilitási kritérium, választható értékek: Fast (Gyors), Standard (Szokásos) és Strict (Szigorú).

Opció	Leírás
<b>Calibration type (Kalibrálás típusa)</b>	A kalibrálás típusánál választható beállítások: Technical buffers (Technikai pufferek), DIN19266 Buffers (DIN19266 pufferek), User Buffers (Felhasználói pufferek), To a X value (X értékhez), Data introduction (Adatbevezetés) és Theoretical calibration (Elméleti kalibrálás). A további tudnivalókat lásd: <a href="#">Calibration types</a> .
<b>Cal. frequency (Kal. gyakorisága)</b>	Kalibrálási emlékeztető, amely 0 és 7 nap közötti értékre állítható be (alapértelmezés: naponta). A kijelzőn a következő kalibrálásig hátralévő idő jelenik meg. A további tudnivalókat lásd: <a href="#">Kalibrálási emlékeztető beállítása</a> oldalon 242.
<b>Display mV (mV megjelenítése)</b>	A mV megjelenítésénél a YES (IGEN) vagy a NO (NEM) érték választható.
<b>Standard 220 mV (Szabványos 220 mV)</b>	Kalibrálás 220 mV értékű szabványoldattal.
<b>To a X value (X értékhez)</b>	Specifikus szabványoldat használata. Az érték állítása a kalibrálás alatt.
<b>Data introduction (Adatbevezetés)</b>	Adatbevezetés kompenzálása: a kompenzációs érték bevétele.
<b>Factory adjust (Utánkalibrálás)</b>	Utánkalibrálás: a kompenzációs érték bevétele.

### Kalibrálási típusok

Különböző kalibrálási típusok közül lehet választani.

1. A főmenün a ▲ vagy a ▼ gombbal jelölje ki a CALIBRATION (KALIBRÁLÁS) elemet. Hagyja jóvá.
2. A ▲ gombbal lépjen a kalibrálási menübe.
3. A ▲ vagy a ▼ gombbal válasszon kalibrálási típust.

Opció	Leírás
<b>Technical buffers (Technikai pufferek)</b>	pH 2,00, 4,01, 7,00, 9,21 és 10.01 a 25 °C hőmérsékleten

Opció	Leírás
<b>DIN19266 Buffers</b> (DIN19266 pufferek)	pH 1,679, 4,006, 6,865, 7,000, 9,180, 10,012 és 12,454
<b>User Buffers (Felhasználói pufferek)</b>	Akkor választható, ha nem technikai vagy DIN19266 puffereket használ. A specifikus pufferek pH értékét különböző hőmérsékleteken lásd itt: <a href="#">Technikai pufferoldatok (DIN 19267)</a> oldalon 251.
<b>Calibration to a X value</b> (Kalibrálás X értékre)	A mért pH tetszőleges skálaértékének manuális kiigazítása.
<b>Data introduction</b> (Adatbevezetés)	Manuális szondaállandó bevezetése.
<b>Theoretical calibration</b> (Elméleti kalibrálás)	A szonda kalibrációs adatainak cseréje 25 °C hőmérsékleten.

## Kalibrálási eljárás

Ez az eljárás általánosan használható a folyékony kalibrációs oldatokhoz. A további tudnivalókat lásd az egyes szondákhoz mellékelt dokumentációban.

**Megjegyzés:** Az oldatokat keverni kell a kalibrálás alatt. A keverési beállításokról a további tudnivalókat lásd: [A keverési beállítások módosítása](#) oldalon 245.

1. Töltse a puffereket vagy kalibrációs oldatokat a felcímkézett kalibrációs főzőpoharakba.
2. A főmenün a ▲ vagy ▼ és a ◀ és ▶ gombbal jelölje ki a CALIBRATION (KALIBRÁLÁS) paramétert. Hagyja jóvá.
3. Ha szükséges, jelölje ki a kezelői azonosítót (1–10), és hagyja jóvá.
4. Öblítse le a szondát deionizált vízzel, majd helyezze a szondát az első kalibrációs főzőpohárba. Ügyeljen arra, hogy ne legyenek légbuborékok a membránon.
5. Nyomja meg a ✓ gombot a kalibrálás elindításához.
6. Az első kalibrációs oldat méréséhez nyomja meg a ✓ gombot. A következő kalibrációs oldat jelenik meg.
7. Öblítse le a szondát deionizált vízzel, majd helyezze a szondát a második kalibrációs főzőpohárba. Ügyeljen arra, hogy ne legyenek légbuborékok a membránon.

8. A második kalibrációs oldat méréséhez nyomja meg a ✓ gombot. A következő kalibrációs oldat jelenik meg.
9. Öblítse le a szondát deionizált vízzel, majd helyezze a szondát a harmadik kalibrációs főzőpohárba. Ügyeljen arra, hogy ne legyenek légbuborékok a membránon.
10. A harmadik kalibrációs oldat méréséhez nyomja meg a ✓ gombot. Ha a kalibrálás megfelelő, a kijelző röviden a Calibration OK (Kalibrálás OK) feliratot jeleníti meg, majd visszatér főmenübe.  
**Megjegyzés:** Ha nyomtató van csatlakoztatva, a nyomtatás menüje jelenik meg, és az eredmény kinyomtatható.

## A kalibrálási adatok megtekintése

A legutóbbi kalibrálás adatai megjeleníthetők

1. A főmenün a ▲ vagy a ▼ gombbal jelölje ki a DATA LOGGER (ADATNAPLÓZÓ) elemet. Hagyja jóvá.
2. Válassza a Display data (Adatok megjelenítése) elemet.
3. Jelölje ki a Calibration data (Kalibrálási adatok) elemet, és hagyja jóvá a ✓ gombbal. A legutóbbi kalibrálás adatai jelennek meg.
  - pH – a meredekség és az eltolás értéke jelenik meg váltakozva az eltérés (%) és a kalibrálás hőmérsékletének értékével.
  - ORP – a mért mV érték és a kalibrálás hőmérséklete jelenik meg.
  - Vezetőképeség – a cellaállandó és a kalibrálás hőmérséklete jelenik meg az egyes normáldatokhoz.

## Kalibrálási emlékeztető beállítása

A kalibrálási emlékeztető 0 és 23 óra vagy 1 és 7 nap közötti értékre állítható be (alapérték: 1 nap). A kijelzőn a következő kalibrálásig hátralévő idő jelenik meg.

**Megjegyzés:** A 0 nap választásakor a kalibrálási emlékeztető ki lesz kapcsolva.

1. A főmenün a ▲ vagy a ▼ gombbal jelölje ki a CALIBRATION (KALIBRÁLÁS) elemet. Hagyja jóvá.
2. A ▲ gombbal lépjen a kalibrálási menübe.
3. A ▲ vagy a ▼ gombbal jelölje ki a Cal. frequency (Kal. gyakorisága) elemet, és hagyja jóvá.

4. A ◀ és a ▶ gombbal a következő elemre léphet, míg a ▲ vagy a ▼ gombbal módosíthatja az értékét. Hagyja jóvá.  
A kalibrálás indításához nyomja meg a ✓ gombot.

## Mintamérések

Az egyes szondákhoz eltérő előkészületi lépések és eljárások tartoznak a mintamérések elvégzésekor.

1. A főmenün a ▲ vagy ▼ és a ◀ és ▶ gombbal jelölje ki a MEASURE (MÉRÉS) elemet. Hagyja jóvá.
2. A ▲ gombbal módosítsa a következő beállításokat. Hagyja jóvá az egyes bejegyzéseket.

Parancs	Leírás
<b>Resolution (Felbontás)</b>	Választható értékek: 1, 0.1, 0.01 (alapbeállítás) vagy 0.001
<b>Measure (Mérés)</b>	Stability (Stabilitás) – válasszon a By stability Criterion (Stabilitási kritérium) beállításai közül: Fast (Gyors) (változás < 0,02 pH 6 másodperc alatt), Standard (Szokásos) (változás < 0,01 pH 6 másodperc alatt) vagy Strict (Szigorú) (változás < 0,002 pH 6 másodperc alatt). In continuous (Folyamatosan) – adja meg az In continuous Acquis. interval (Folyamatos adatgyűjtés időköze) értékét (adatárrolás vagy adatok nyomtatása). By time (Idő alapján) – adja meg az adattárrolás vagy az adatok nyomtatásának időközét.
<b>Display mV (mV megjelenítése)</b>	A mV megjelenítésénél a YES (IGEN) vagy a NO (NEM) érték választható.
<b>Limits (Határértékek)</b>	A YES (IGEN) vagy a NO (NEM) érték választható. YES (IGEN): adja meg a felső és az alsó határértéket. Figyelmeztető hangjelzés hallható, ha a mért érték kívül esik a határértéken. A jelentésben egy A betű jelenik meg a mért érték mellett, ha az határértéken kívüli.
<b>Isopotential (Egyenlő potenciál)</b>	Módosítsa az egyenlő potenciálú pH értéket az adatbevezetésben. Válassza a Calculate (Számítás) elemet a szonda újralibrálásához.

3. A mérés indításához nyomja meg a ✓ gombot.

**Megjegyzés:** Ha 120 másodperc után a mérés nem stabilizálódik, a műszer automatikusan folyamatos mérési üzemmódra vált.

## Speciális üzemeltetés

### A mértékegység módosítása

A mértékegység egyedileg módosítható az egyes csatornáknál.

1. A főmenün a ▲ vagy a ▼ gombbal jelölje ki a SYSTEM (RENDSZER) elemet. Hagyja jóvá.
2. A ▲ vagy a ▼ gombbal jelölje ki a Measurement units (Mértékegység) elemet, és hagyja jóvá.
3. Jelölje ki a Channel 1 (1. csatorna) vagy a Channel 2 (2. csatorna) elemet, és hagyja jóvá.
4. Jelölje ki az ORP (mV), pH vagy ISE beállítást, és hagyja jóvá.

### A mintazonosító használata

A használt mintazonosító címke kapcsolja össze a leolvasást a konkrét minta helyével. Kijelöléskor a tárolt adat tartalmazza ezt az azonosítót.

1. A főmenün a ▲ vagy a ▼ gombbal jelölje ki a SYSTEM (RENDSZER) elemet. Hagyja jóvá.
2. A ▲ vagy a ▼ gombbal jelölje ki a Sample ID (Mintazonosító) elemet, és hagyja jóvá.
3. A ▲ vagy a ▼ gombbal válasszon a következők közül:

Parancs	Elnevezés
<b>Automatic (Automatikus)</b>	Egymást követő számok hozzárendelése az egyes mintákhoz.
<b>Manual (Kézi)</b>	Billentyűzet vagy vonalkódolvasó szükséges a mintazonosító (legfeljebb 15 karakter) beviteléhez a mérés előtt.

## Adatkimenet választása

Az adatok tárolhatók, vagy átvihetők nyomtatóra vagy számítógépre.

1. A főmenün a ▲ vagy a ▼ gombbal jelölje ki a SYSTEM (RENDSZER) elemet. Hagyja jóvá.
2. A ▲ vagy a ▼ gombbal jelölje ki a Data Output (Adatkimenet) elemet, és hagyja jóvá.
3. A ▲ vagy a ▼ gombbal válasszon a következők közül:

Opció	Leírás
<b>Deactivated</b> (Kikapcsolva)	Válassza ezt, ha nincs nyomtató vagy számítógép csatlakoztatva.
<b>For Printer</b> (Nyomtatóra)	Választható beállítások: Dot matrix printer (Mátrixnyomtató) vagy a Thermal printer (Hőnyomtató).
<b>For Computer</b> (Számítógépre)	Választható beállítások: Terminal (Terminál), LabCom vagy LabCom Easy. A LabCom szoftver számos modulot vezérel számítógépről: pH- és vezetőképesség-mérő, automatikus búretták, mintavevők stb. A LabCom Easy szoftver a pH és a vezetőképesség adatait gyűjti be számítógépről.

## A dátum és az idő változtatása

A dátum és a pontos idő a Date / Time (Dátum / Idő) menü segítségével változtatható meg.

1. A főmenün a ▲ vagy a ▼ gombbal jelölje ki a SYSTEM (RENDSZER) elemet. Hagyja jóvá.
2. A ▲ vagy a ▼ gombbal jelölje ki a Date / Time (Dátum / Idő) elemet, és hagyja jóvá.
3. A ◀ és a ▶ gombbal a következő elemre léphet, míg a ▲ vagy a ▼ gombbal módosíthatja az értéket. Hagyja jóvá.  
Az aktuális dátum és idő megjelenik a kijelzőn.

## A kijelző kontrasztjának beállítása

1. A főmenün a ▲ vagy a ▼ gombbal jelölje ki a SYSTEM (RENDSZER) elemet. Hagyja jóvá.
2. A ▲ vagy a ▼ gombbal jelölje ki a Display contrast (Kijelző kontrasztja) elemet, és hagyja jóvá.
3. A ◀ és a ▶ gombbal állítsa be a kijelző kontrasztját, és hagyja jóvá.

## A hőmérséklet beállítása

A hőmérsékletmérés 25 °C és/vagy 85 °C értéken állítható be a pontosság növelése érdekében.

1. Helyezze a szondát és a referenciaként szolgáló hőmérőt kb. 25 °C hőmérsékletű vízzel feltöltött tárolóba, és várja meg, amíg a hőmérséklet állandósul.
2. Hasonlítsa össze a műszerrel és a hőmérővel mért értéket. A különbség lesz a műszer kiegyenlítési értéke.  
Példa: referencia-hőmérő: 24,5 °C; műszer: 24,3 °C. Kiegyenlítési érték: 0,2 °C.
3. Írja be a kiegyenlítési értéket a 25 °C leolvasáshoz:
  - a. A főmenün a ▲ vagy a ▼ gombbal jelölje ki a SYSTEM (RENDSZER) elemet. Hagyja jóvá.
  - b. A ▲ vagy a ▼ gombbal jelölje ki a Readjust temp. (Hőm. kiigazítása) elemet, és hagyja jóvá.
  - c. Jelölje ki a Channel 1 (1. csatorna) vagy a Channel 2 (2. csatorna) elemet, és hagyja jóvá. Az 1. csatornához tartozó hőmérsékletet a vezetőképesség cellája méri, míg a 2. csatornát a pH-szonda. Ha vezetőképességet mérő cella nincs csatlakoztatva, a hőmérséklet értékét kézzel kell beírni, vagy a műszerre alkalmazható a 2. csatornában mért hőmérséklet.
  - d. A ▲ vagy a ▼ gombbal jelölje ki a 25 °C elemet, és hagyja jóvá.
  - e. A nyílombok segítségével írja be a 25 °C hőmérséklethez tartozó kiegyenlítési értéket. Hagyja jóvá.
4. Helyezze a szondát és a referenciaként szolgáló hőmérőt kb. 85 °C hőmérsékletű vízzel feltöltött tárolóba, és várja meg, amíg a hőmérséklet állandósul.



- Hasonlítsa össze a műszerrel és a hőmérővel mért értéket. A különbség lesz a műszer kiegyenlítési értéke.
  - A ▲ vagy a ▼ gombbal jelölje ki a 85 °C elemet, és hagyja jóvá.
  - A nyílombok segítségével írja be a 85 °C hőmérséklethez tartozó kiegyenlítési értéket. Hagyja jóvá.
  - Jelölje ki a Save changes (Változtatások mentése) elemet, és hagyja jóvá.

## A keverési beállítások módosítása

A Stirring (Keverés) menün bekapcsolható a mágneses keverő, és módosítható a keverési sebesség.

- A főmenün a ▲ vagy a ▼ gombbal jelölje ki a SYSTEM (RENDSZER) elemet. Hagyja jóvá.
- A ▲ vagy a ▼ gombbal jelölje ki a Stirring (Keverés) elemet, és hagyja jóvá.
- A keverő be- vagy kikapcsolásához nyomja meg a ✓ gombot.
- A keverő bekapcsolt állapotában a ▲ vagy a ▼ gombbal módosíthatja a keverési sebességet (%).

**Megjegyzés:** A kalibrálás vagy a mérés alatt módosítsa a keverési sebességet a ▲ vagy a ▼ gombbal.

## A keverő be- és kikapcsolása

Az 1-es keverő az 1. és a 2. csatornával működik. A 2. csatornához egy másik keverő is csatlakoztatható (2-es keverő). A 2-es keverő bekapcsolásához hajtsa végre a következő lépéseket.

- A főmenün a ▲ vagy a ▼ gombbal jelölje ki a SYSTEM (RENDSZER) elemet. Hagyja jóvá a ✓ gomb megnyomásával.
- A ▲ vagy a ▼ gombbal jelölje ki a Stirrer N.2 (2-es keverő) elemet, és hagyja jóvá a ✓ gomb megnyomásával.
- A 2-es keverő bekapcsolásához a ▲ vagy a ▼ gombbal válassza a YES (IGEN) beállítást.

**Megjegyzés:** A 2-es keverő kikapcsolásához válassza a NO (NEM) beállítást.

## A hőmérséklet mértékegységének módosítása

A hőmérséklet mértékegysége a Celsius vagy a Fahrenheit értékre állítható be.

- A főmenün a ▲ vagy a ▼ gombbal jelölje ki a SYSTEM (RENDSZER) elemet. Hagyja jóvá.
- A ▲ vagy a ▼ gombbal jelölje ki a Temperature units (Hőmérséklet mértékegysége) elemet, és hagyja jóvá.
- A ▲ vagy a ▼ jelölje ki a Celsius vagy a Fahrenheit beállítást, és hagyja jóvá.

## Adatnaplózó

### Adatok megjelenítése

A megjelenített adatok naplója mérési adatokat, elektródajelentést és kalibrálási adatokat tartalmaz. A tárolt adatok nyomtatóra vagy számítógépre küldhetők. Ha betelik az adatnapló (400 adatpont után), a legrégebbi adatpont törlődik új adatpont felvételekor.

- A ◀ és a ▶ gombbal jelölje ki a Channel 1 (1. csatorna) vagy a Channel 2 (2. csatorna) elemet, és hagyja jóvá.
- A főmenün a ▲ vagy a ▼ gombbal jelölje ki a SYSTEM (RENDSZER) elemet. Hagyja jóvá.
- A ▲ vagy a ▼ gombbal jelölje ki a DATA LOGGER (ADATNAPLÓZÓ) elemet, és hagyja jóvá.
- A ▲ vagy a ▼ gombbal jelölje ki a Display data (Adatok megjelenítése) elemet, és hagyja jóvá.
- A ▲ vagy a ▼ gombbal válasszon a következők közül:

Parancs	Elnevezés
Measurement data (Mérési adatok)	Ezek az adatok automatikusan tárolják az egyes mintaméréseket

Parancs	Elnevezés
<b>Electrode report (Elektródajelentés)</b>	Ezek az adatok automatikusan tárolják az elektróda előzményeit és mérési feltételeit
<b>Calibration data (Kalibrálási adatok)</b>	Ezek az adatok automatikusan tárolják az aktuális kalibrálás eredményeit

## Adatok törlése

Az összes mérési adat vagy az elektróda jelentésnaplója törölhető, így eltávolíthatók azok az adatok, amelyek már el lettek küldve nyomtatóra vagy számítógépre.

1. A főmenün a ▲ vagy a ▼ gombbal jelölje ki a SYSTEM (RENDSZER) elemet. Hagyja jóvá.
2. A ▲ vagy a ▼ gombbal jelölje ki a DATA LOGGER (ADATNAPLÓZÓ) elemet, és hagyja jóvá.
3. A ▲ vagy a ▼ gombbal jelölje ki az Erase (Törlés) elemet, és hagyja jóvá.
4. A ▲ vagy a ▼ gombbal jelölje ki a Measurement data (Mérési adatok) vagy az Electrode report (Elektródajelentés) elemet, és hagyja jóvá. Hagyja jóvá újra az adatok törlését. A teljes napló azonnal törlődik.

## Adatok küldése nyomtatóra vagy számítógépre

### MEGJEGYZÉS

Először az adatkimenetet (nyomtató vagy PC) kell kijelölni, hogy a Print (Nyomatás) menü elérhető legyen (lásd: [Adatkimenet választása](#) oldalon 244).

**Megjegyzés:** A jelentés kimeneti típusának megadásáról lásd: [Jelentés kimenete](#) oldalon 246.

1. A főmenün a ▲ vagy a ▼ gombbal jelölje ki a SYSTEM (RENDSZER) elemet. Hagyja jóvá.
2. A ▲ vagy a ▼ gombbal jelölje ki a DATA LOGGER (ADATNAPLÓZÓ) elemet, és hagyja jóvá.

3. A ▲ vagy a ▼ gombbal jelölje ki a Print (Nyomatás) elemet, és hagyja jóvá. Jelölje ki a következő beállítások valamelyikét, és az adatok nyomtatását hagyja jóvá a ✓ gombbal: Measurement data (Mérési adatok), Electrode data (Elektródaadatok), Calibration data (Kalibrálási adatok), Calibration report (Kalibrálási jelentés) vagy Instrument condit. (Műszer állapota).

## Jelentés kimenete

### MEGJEGYZÉS

Először az adatkimenetet (nyomtató vagy PC) kell kijelölni, hogy a jelentés típusának menüje elérhető legyen (lásd: [Adatkimenet választása](#) oldalon 244).

Nyomtató vagy PC csatlakoztatásakor különböző jelentéskimeneti típusok választhatók.

1. A főmenün a ▲ vagy a ▼ gombbal jelölje ki a SYSTEM (RENDSZER) elemet. Hagyja jóvá.
2. A ▲ vagy a ▼ gombbal jelölje ki a Type of report (Jelentés típusa) elemet, és hagyja jóvá.
3. Amikor nyomtató vagy számítógép és terminál van csatlakoztatva, használja a ▲ vagy a ▼ gombot a választáshoz.

Opció	Leírás
<b>Reduced (Csökkentett)</b>	Kimeneti formátumként válassza a Several (Több) vagy a One sample (Egy minta) beállítást.

Opció	Leírás
<b>Standard (Szokásos)</b>	Kimeneti formátumként válassza a Several (Több) vagy a One sample (Egy minta) beállítást. A Several (Több) beállításnál választható elemek: <b>Users (Felhasználók):</b> A felhasználó neve (17 karakter) megjelenik a nyomtatott jelentésen. <b>Header (Fejléc):</b> A vállalat neve felvehető fejlécként (40 karakter), és ez megjelenik a nyomtatott jelentésen. <b>Identify sensor (Érzékelő azonosítása):</b> Az érzékelő típusa és sorozatszáma vehető fel, amely megjelenik a nyomtatott jelentésen.
<b>GLP</b>	Kimeneti formátumként válassza a Several (Több) vagy a One sample (Egy minta) beállítást. A Several (Több) beállításnál választható elemek: <b>Users (Felhasználók):</b> A felhasználó neve (17 karakter) megjelenik a nyomtatott jelentésen. <b>Header (Fejléc):</b> A vállalat neve felvehető fejlécként (40 karakter), és ez megjelenik a nyomtatott jelentésen. <b>Identify sensor (Érzékelő azonosítása):</b> Az érzékelő típusa és sorozatszáma vehető fel, amely megjelenik a nyomtatott jelentésen.

4. **Adatkimenet választása** oldalon 244 Számítógép csatlakoztatásakor és a LabCom Easy kijelölésekor használja a ▲ vagy a ▼ gombot a választáshoz.

Opció	Leírás
<b>Users (Felhasználók)</b>	A felhasználó neve (17 karakter) megjelenik a nyomtatott jelentésen.
<b>Identify sensor (Érzékelő azonosítása)</b>	Az érzékelő típusa és sorozatszáma vehető fel, amely megjelenik a nyomtatott jelentésen.

## Karbantartás

### ▲ FIGYELMEZTETÉS

Többszörös veszély. Ne szerelje szét a műszert karbantartás vagy javítás céljából. Ha a belső alkatrészek tisztítása vagy javítása válik szükségessé, forduljon a gyártóhoz.

### ▲ VIGYÁZAT

Személyi sérülés veszélye. Az útmutatónak ebben a részében ismertetett feladatokat csak képzett szakember végezheti el.

## A készülék tisztítása

### MEGJEGYZÉS

A készülék, beleértve a kijelző és a tartozékok tisztításához soha ne használjon tisztítószert, például terpentint, acetont vagy hasonló termékeket.

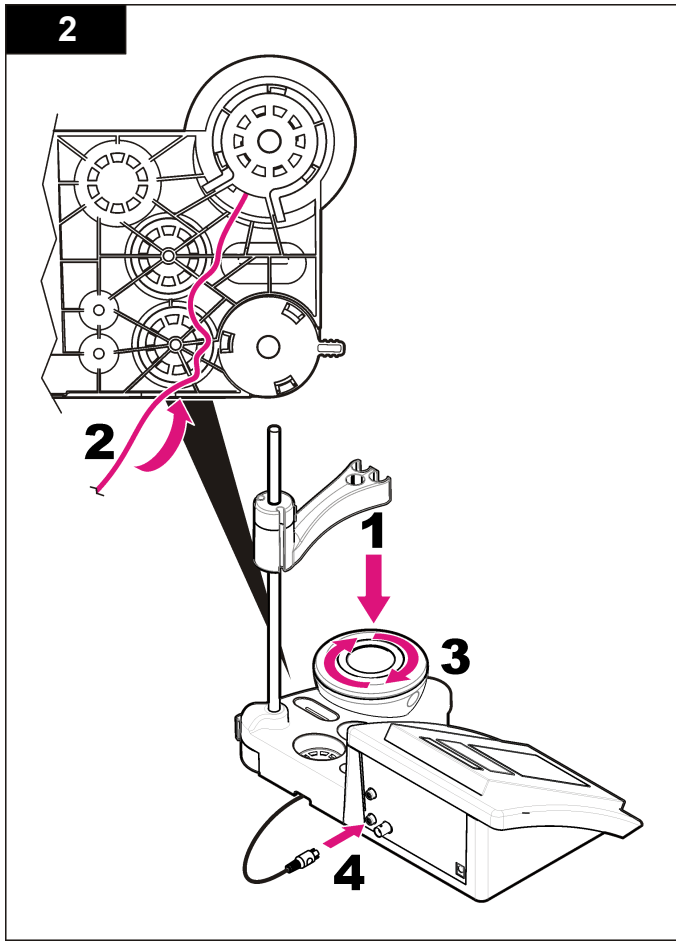
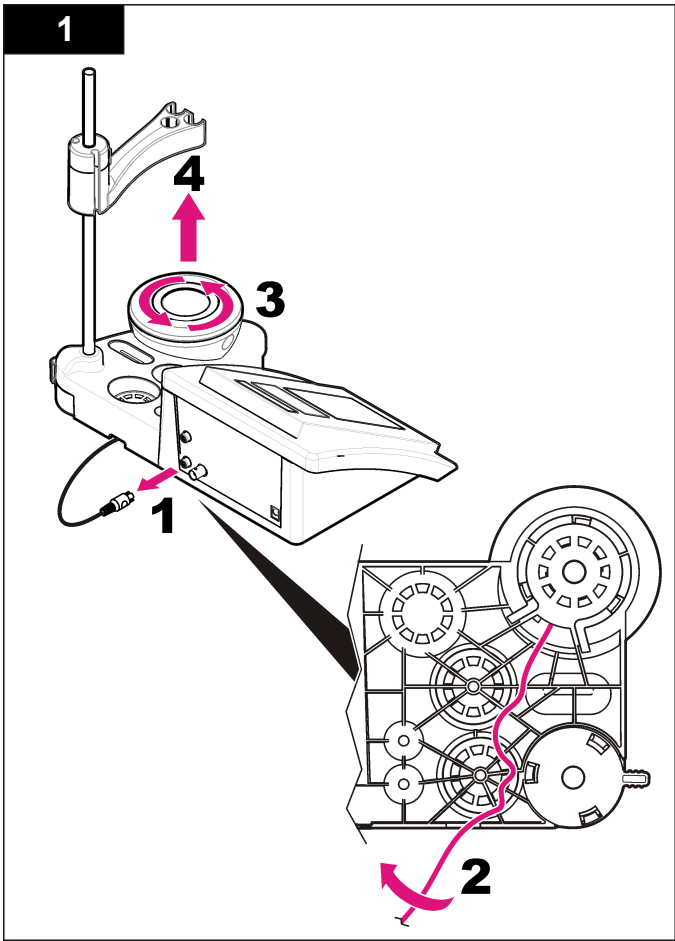
Tisztítsa meg a készülék külsejét enyhe szappanos oldatba mártott ruhával.

## A szonda tisztítása

Szükség szerint tisztítsa meg a szondát. A tisztításról a további tudnivalókat lásd: [Hibaelhárítás](#) oldalon 249. A szonda karbantartásáról a tudnivalókat a szonda dokumentációjában találja.

## A mágneses keverő cseréje

Ha a mágneses keverő nem indul, cserélje ki a számozott lépések szerint.



## Hibaelhárítás

Lásd a következő táblázatot a gyakori hibaüzenetekkel és tünetekkel, a lehetséges okokkal és a korrekció lépéseivel.

1. táblázat Kalibrálási figyelmeztetések és hibák

Hiba/feljegyzés	Megoldás
Asymmetry (Aszimmetria) > 58 mV	A meredekség kívül esik a határértéken (elfogadható értékek: ±58 mV). Kalibráljon újra. Csatlakoztasson új szondát.
Buffer or electrode in poor conditions (Rossz állapotú puffer vagy elektróda).	Ellenőrizze a szondát: tisztítsa meg a szondát (a további tudnivalókat lásd: <a href="#">A szonda tisztítása</a> oldalon 247); ügyeljen arra, hogy ne legyenek légbuborékok a membránon. Rázza le a szondát mint egy hőmérőt; csatlakoztasson másik szondát annak vizsgálatához, hogy a szonda vagy a műszer hibás-e.  Ellenőrizze a pufferoldatot: ügyeljen arra, hogy az alkalmazott puffer megfeleljen a konfigurációban megadottnak; ellenőrizze a hőmérséklet előírását a konfigurációban; használjon új pufferoldatot.
BUFFER NOT RECOGNIZED (ISMERTLEN PUFFER)	Kalibráljon újra. Ellenőrizze a szondát: tisztítsa meg a szondát (a további tudnivalókat lásd: <a href="#">A szonda tisztítása</a> oldalon 247); ügyeljen arra, hogy ne legyenek légbuborékok a membránon. Rázza le a szondát mint egy hőmérőt; csatlakoztasson másik szondát annak vizsgálatához, hogy a szonda vagy a műszer hibás-e.  Ellenőrizze a pufferoldatot: ügyeljen arra, hogy az alkalmazott puffer megfeleljen a konfigurációban megadottnak; ellenőrizze a hőmérséklet előírását a konfigurációban; használjon új pufferoldatot.
Sens. (Érz.) (a) < 70%	

1. táblázat Kalibrálási figyelmeztetések és hibák (folytatás)

Hiba/feljegyzés	Megoldás
UNSTABLE READING (NEM STABILIZÁLÓDÓ MÉRT ÉRTÉK) Time (Idő) t > 100 s	Kalibráljon újra.  Ellenőrizze a szondát: tisztítsa meg a szondát (a további tudnivalókat lásd: <a href="#">A szonda tisztítása</a> oldalon 247); ügyeljen arra, hogy ne legyenek légbuborékok a membránon. Rázza le a szondát mint egy hőmérőt; csatlakoztasson másik szondát annak vizsgálatához, hogy a szonda vagy a műszer hibás-e.  Ügyeljen arra, hogy a membrán és a diafragma megfelelően belemerüljön a mintába.
Check temperature (Ellenőrizze a hőmérsékletet). Check electrode (Ellenőrizze az elektródát)	Ellenőrizze a hőmérséklet előírását a konfigurációban.  Ellenőrizze a szondát: tisztítsa meg a szondát (a további tudnivalókat lásd: <a href="#">A szonda tisztítása</a> oldalon 247); ügyeljen arra, hogy ne legyenek légbuborékok a membránon. Rázza le a szondát mint egy hőmérőt; csatlakoztasson másik szondát annak vizsgálatához, hogy a szonda vagy a műszer hibás-e.
Electrode in poor conditions (Rossz állapotú elektróda).	Ellenőrizze a szondát: tisztítsa meg a szondát (a további tudnivalókat lásd: <a href="#">A szonda tisztítása</a> oldalon 247); ügyeljen arra, hogy ne legyenek légbuborékok a membránon. Rázza le a szondát mint egy hőmérőt; csatlakoztasson másik szondát annak vizsgálatához, hogy a szonda vagy a műszer hibás-e.
Check the electrode (Ellenőrizze az elektródát).	
SAME BUFFERS (AZONOS PUFFEREK)	Kalibráljon újra.  Ellenőrizze a szondát: tisztítsa meg a szondát (a további tudnivalókat lásd: <a href="#">A szonda tisztítása</a> oldalon 247); ügyeljen arra, hogy ne legyenek légbuborékok a membránon. Rázza le a szondát mint egy hőmérőt; csatlakoztasson másik szondát annak vizsgálatához, hogy a szonda vagy a műszer hibás-e.  Ellenőrizze a pufferoldatot: használjon új pufferoldatot.

## 2. táblázat Mérési figyelmeztetések és hibák

Hiba/figyelmeztetés	Megoldás
pH 12.78 19°C	Kalibráljon újra
pH out of range (pH határértéken kívüli)	Ellenőrizze a szondát: tisztítsa meg a szondát (a további tudnivalókat lásd: <a href="#">A szonda tisztítása</a> oldalon 247); ügyeljen arra, hogy ne legyenek légbuborékok a membránon. Rázza le a szondát mint egy hőmérőt; csatlakoztasson másik szondát annak vizsgálatához, hogy a szonda vagy a műszer hibás-e.
Temp out of range (Hőm. határértéken kívüli) °C	Ellenőrizze a hőmérséklet-érzékelőt. Csatlakoztasson másik szondát annak vizsgálatához, hogy a szonda vagy a műszer hibás-e.
Time (Idő) > 60 s	Ügyeljen arra, hogy a membrán és a diafragma megfelelően belemerüljön a mintába.
Time (Idő) > 150 s	Ellenőrizze a hőmérsékletet.
Time (Idő) > 300 s	Ellenőrizze a szondát: tisztítsa meg a szondát (a további tudnivalókat lásd: <a href="#">A szonda tisztítása</a> oldalon 247); ügyeljen arra, hogy ne legyenek légbuborékok a membránon. Rázza le a szondát mint egy hőmérőt; csatlakoztasson másik szondát annak vizsgálatához, hogy a szonda vagy a műszer hibás-e.
10.389 mg/L >>>>> 00012 00:13	ISE-mérés: a mért érték meghaladja a kalibrálásnál használt legnagyobb szabványt. Hajtsa végre újra a mérést.
0.886 mg/L <<<<<< 00018 00:11	ISE-mérés: a mért érték alulmúlja a kalibrálásnál használt legkisebb szabványt. Hajtsa végre újra a mérést.

## Cserealkatrészek és tartozékok

**Megjegyzés:** A termék- és cikkszám régióként eltérhet. A kapcsolattartási információkért forduljon a viszonteladóhoz vagy látogasson el a cég weboldalára.

## Cserealkatrészek

Leírás	Cikksz.
sensION+ PH3 lab. pH-mérő tartozékokkal, szonda nélkül	LPV2000.98.0002
sensION+ PH31 lab. pH-mérő, GLP, tartozékokkal, szonda nélkül	LPV2100.98.0002
sensION+ MM340 lab. pH- és ion-mérő, GLP, 2 csatorna, tartozékokkal, szonda nélkül	LPV2200.98.0002
sensION+ EC7 lab. vezetőképesség-mérő, tartozékokkal, szonda nélkül	LPV3010.98.0002
sensION+ EC71 lab. vezetőképesség-mérő, GLP, tartozékokkal, szonda nélkül	LPV3110.98.0002
sensION+ MM374, 2 csatornás lab. műszer, GLP, tartozékokkal, szondák nélkül	LPV4110.98.0002

## Fogyóeszközök

Megnevezés	Cikksz.
pH 4,01 pufferoldat, 125 ml	LZW9460.99
pH 7,00 pufferoldat, 125 ml	LZW9461.98
pH 10,01 pufferoldat, 125 ml	LZW9470.99
pH 4,01 pufferoldat, 250 ml	LZW9463.99
pH 7,00 pufferoldat, 250 ml	LZW9464.98
pH 10,01 pufferoldat, 250 ml	LZW9471.99
pH 4,01 pufferoldat, 1000 ml	LZW9466.99
pH 7,00 pufferoldat, 1000 ml	LZW9467.98
pH 10,01 pufferoldat, 1000 ml	LZW9472.99
Elektrolitoldat (KCl 3M), 125 ml	LZW9510.99
Elektrolitoldat (KCl 3M), 250 ml	LZW9500.99

## Cserealkatrészek és tartozékok (folytatás)

Megnevezés	Cikksz.
Elektrolitoldat (KCl 3M), 50 ml	LZW9509.99
Elektrolitoldat (0,1 M), 125 ml	LZW9901.99
Enzimoldat	2964349
Pepszines tisztítóoldat	2964349
Elektrodatisztító oldat	2965249
0,1 N HCl oldat	1481253

## Tartozékok

Leírás	Cikksz.
Hőnyomtató, RS232, asztali sensION+ műszerekhez	LZW8201.99
Hőre érzékeny papír LZW8201 nyomtatóhoz, zacskónként 5 tekercs	LZW9117.99
Mátrixnyomtató, RS232, sensION+ készülékekhez	LZW8200.99
Szabványpapír LZW8200 nyomtatóhoz, zacskónként 10 tekercs	LZW9000.99
Festékszalag LZW8200 nyomtatóhoz, 3 egység	LZW9001.99
LabCom Easy számítógépes szoftver, sensION+ GLP készülékekhez, CD, kábel, USB csatoló	LZW8997.99
LabCom számítógépes szoftver, sensION+ GLP készülékekhez, CD, kábel, USB csatoló	LZW8999.99
RS232 kábel, asztali sensION+ műszerekhez	LZW9135.99
RS232 kábel asztali sensION+ műszerekhez, USB csatolóval	LZW9135USB.99
Mágneses keverő érzékelőtartóval, asztali sensION+ MM műszerekhez	LZW9319.99
3x50 ml-es címkézett pohár asztali pH kalibrálásához	LZW9110.98

## Cserealkatrészek és tartozékok (folytatás)

Leírás	Cikksz.
Háromérzékelős tartó asztali sensION+ műszerekhez	LZW9321.99
Tartó és bilincs három érzékelőhöz	LZW9155.99
Tűzálló üvegkamra folyamatos mérésekhez	LZW9118.99
PP védőeszköz, elektróda tárolása	LZW9161.99

## Szabványoldatok

### Technikai pufferoldatok (DIN 19267)

A specifikus pufferek pH és ORP (mV) értékét különböző hőmérsékleteken lásd itt: [3. táblázat](#).

**3. táblázat pH, ORP (mV) és hőmérsékletértékek**

Hőmérséklet		pH					mV
°C	°F						
0	32	2,01	4,01	7,12	9,52	10,30	—
10	50	2,01	4,00	7,06	9,38	10,17	245
20	68	2,00	4,00	7,02	9,26	10,06	228
<b>25</b>	<b>77</b>	<b>2,00</b>	<b>4,01</b>	<b>7,00</b>	<b>9,21</b>	<b>10,01</b>	<b>220</b>
30	86	2,00	4,01	6,99	9,16	9,96	212
40	104	2,00	4,03	6,97	9,06	9,88	195
50	122	2,00	4,06	6,97	8,99	9,82	178
60	140	2,00	4,10	6,98	8,93	9,76	160
70	158	2,01	4,16	7,00	8,88	—	—
80	176	2,01	4,22	7,04	8,83	—	—
90	194	2,01	4,30	7,09	8,79	—	—

### Pufferoldatok (DIN 19266)

A specifikus pufferek pH és ORP (mV) értékét különböző hőmérsékleteken lásd itt: [4. táblázat](#).

4. táblázat pH, ORP (mV) és hőmérsékletértékek

Hőmérséklet		pH					mV	
°C	°F							
5	32	1,668	4,004	6,951	7,087	9,395	10,245	13,207
10	50	1,670	4,000	6,923	7,059	9,332	10,179	13,003
20	68	1,675	4,001	6,881	7,016	9,225	10,062	12,627
<b>25</b>	<b>77</b>	<b>1,679</b>	<b>4,006</b>	<b>6,865</b>	<b>7,000</b>	<b>9,180</b>	<b>10,012</b>	<b>12,454</b>
30	86	1,683	4,012	6,853	6,987	9,139	9,966	12,289
40	104	1,694	4,031	6,838	6,970	9,068	9,889	11,984
50	122	1,707	4,057	6,833	6,964	9,011	9,828	11,705
60	140	1,723	4,085	6,836	6,968	8,962	—	11,449
70	158	1,743	4,126	6,845	6,982	8,921	—	—
80	176	1,766	4,164	6,859	7,004	8,885	—	—
90	194	1,792	4,205	6,877	7,034	8,850	—	—



## Caracteristicile tehnice

Caracteristicile tehnice pot face obiectul unor schimbări, chiar fără notificarea beneficiarului.

Caracteristici tehnice	Detalii
Dimensiunile	35 x 20 x 11 cm (13,78 x 7,87 x 4,33")
Masă	1100 g (2,43 lb)
Carcasa aparatului de măsură	IP42
Cerințe de alimentare (externă)	100–240 V, 0,4 A, 47-63 Hz
Clasa de protecție a aparatului de măsură	Clasa II
Temperatură de depozitare	–15 - +65 °C (5 - +149 °F)
Temperatură de funcționare	0 până la 40 °C (41 până la 104 °F)
Umiditatea de lucru	< 80% (necondensantă)
Rezolvare	pH: 0,1/0,01/0,001, ORP: 0,1/1 mV, ISE: programabil, temperatură: 0,1 °C (0,18 °F)
Eroare de măsurare (± 1 cifră)	pH: ≤ 0,002, ORP: ≤ 0,2 mV, temperatură: ≤ 0,2 °C (≤ 0,36 °F)
Repetabilitate (± 1 cifră)	pH: ± 0,001, ORP: ± 0,1 mV, temperatură: ± 0,1 °C (± 0,18 °F)
Salvarea datelor	330 de rezultate și ultimele 9 calibrări
Conexiuni	2 Sonde combinate sau indicator: conector BNC (Imp. >10 <sup>12</sup> Ω); 2 Electrozi de referință: conector tip banană; tip A.T.C. Pt 1000: conector tip banană sau telefonic agitator magnetic: conector RCA; 2 agitatoare magnetice: conector RCA
Corecția de temperatură	Manual, sondă de temperatură Pt 1000 (A.T.C.), pH izopotential programabil, valoare standard 7,00

Caracteristici tehnice	Detalii
Blocarea afișării măsurării	Măsurare continuă, în funcție de stabilitate
Afișajul	Cristale lichide, iluminare din spate, 128 x 64 puncte
Tastatura	PET cu tratament de protecție
Certificare	CE

## Informații generale

Edițiile revizuite pot fi găsite pe site-ul web al producătorului.

## Informații privind siguranța

### NOTA

Producătorul nu este responsabil pentru daunele cauzate de utilizarea incorectă a acestui produs, inclusiv și fără a se limita la daunele directe, accidentale sau pe cale de consecință și neagă responsabilitatea pentru astfel de daune în măsura maximă permisă de lege. Utilizatorul este unicul responsabil pentru identificarea riscurilor critice și pentru instalarea de mecanisme corespunzătoare pentru protejarea proceselor în cazul unei posibile defectări a echipamentului.

Citiți în întregime manualul înainte de a despacheta, configura și utiliza aparatura. Respectați toate atenționările de pericol și avertismentele. Nerespectarea acestei recomandări poate duce la vătămări serioase ale operatorului sau la avarieri ale echipamentului.

Verificați dacă protecția cu care este prevăzută aparatura nu este defectă. Nu utilizați sau nu instalați aparatura în niciun alt mod decât cel specificat în prezentul manual.

## Informații despre utilizarea produselor periculoase

### ▲ PERICOL

Indică o situație riscantă posibilă sau iminentă care, dacă nu este evitată, va avea ca rezultat moartea sau rănirea.

## ▲ AVERTISMENT

Indică o situație periculoasă în mod potențial sau iminent care, dacă nu este evitată, poate conduce la deces sau la o vătămare corporală gravă.

## ▲ ATENȚIE



Indică o situație periculoasă în mod potențial sau iminent care poate conduce la o vătămare corporală minoră sau moderată.

## NOTA

Indică o situație care, dacă nu este evitată, poate provoca defectarea aparatului. Informații care necesită o accentuare deosebită.

### Etichete de avertizare

Citiți toate etichetele și toate avertismentele cu care este prevăzut instrumentul. În caz de nerespectare se pot produce vătămări personale sau avarieri ale instrumentului. Un simbol, aplicat pe instrument, este asociat unui anume pericol sau unui anume avertisment privitor la precauție, cuprins în manual.

	Acest simbol, dacă este notat pe instrument, se regăsește în manualul de instrucțiuni referitor la funcționare și/sau siguranță.
	Aparatura electrică inscripționată cu acest simbol nu poate fi eliminată în sistemele publice europene de deșeuri după 12 august 2005. În conformitate cu reglementările europene locale și naționale (Directiva UE 2002/98/EC), utilizatorii europeni de aparatură electrică au acum obligația de a returna producătorului aparatura veche sau care se apropie de sfârșitul duratei de utilizare în vederea eliminării acesteia, fără a se percepe vreo taxă utilizatorului. <i>Notă: În scopul returnării pentru reciclare, vă rugăm să contactați producătorul echipamentului sau furnizorul pentru instrucțiuni despre returnarea echipamentelor, accesoriilor furnizate de producător și a tuturor elementelor auxiliare care și-au depășit durata de viață, pentru a fi reciclate corespunzător.</i>

### Prezentare generală a produsului

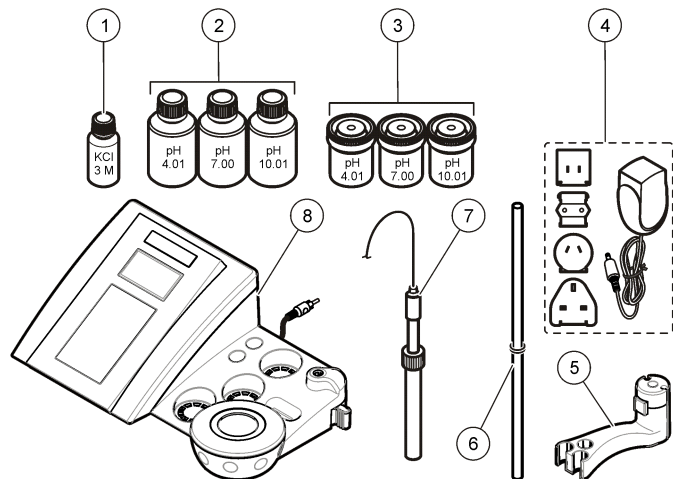
Aparatele de măsură sensION+ sunt utilizate cu sonde pentru măsurarea mai multor parametri din apă.

Aparatul de măsură sensION™+ MM340 are două canale de măsurare pentru a măsura pH, ORP (mV) sau ISE (concentrația) cu o sondă selectivă. Datele măsurate pot fi stocate și transferate la o imprimantă sau pe un PC.

### Componentele produsului

Consultați [Figura 1](#) pentru a asigura că toate componentele au fost permise. Dacă oricare dintre elementele componente lipsește sau este avariata, contactați imediat fie producătorul, fie reprezentanța comercială a acestuia.

**Figura 1 Componentele aparatului de măsură**

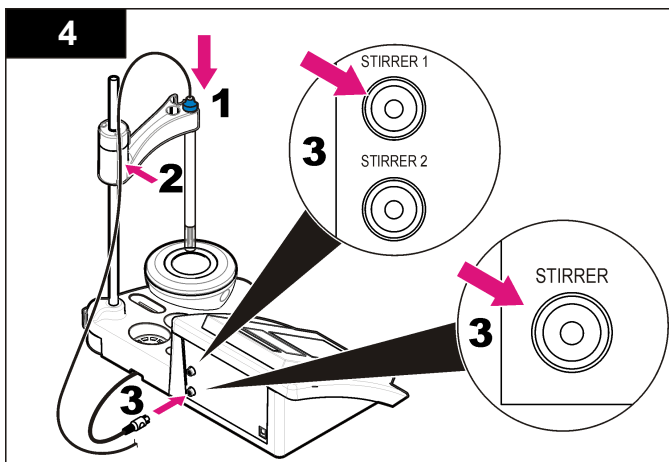
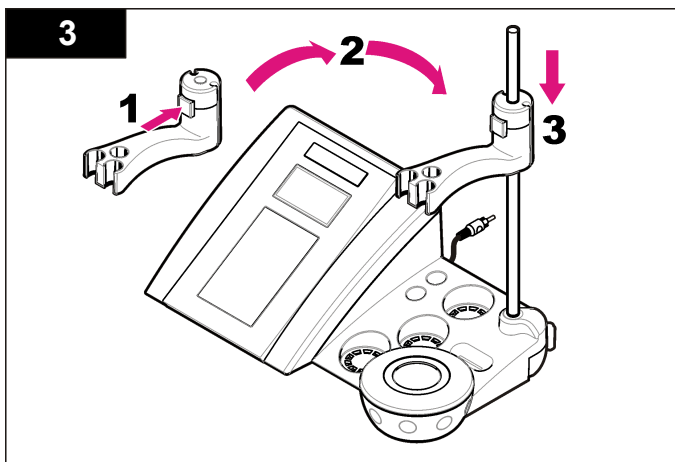
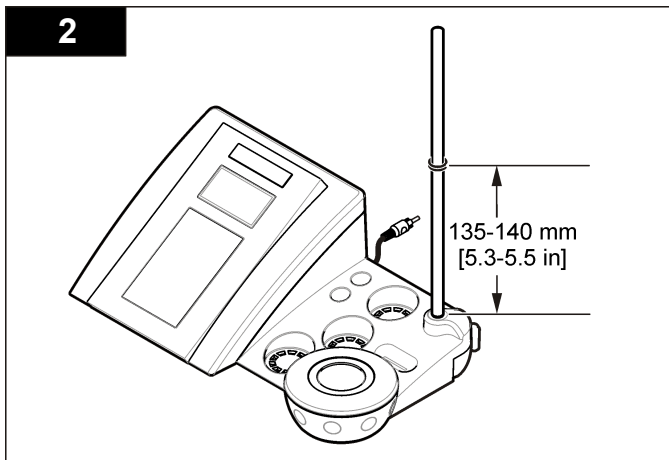
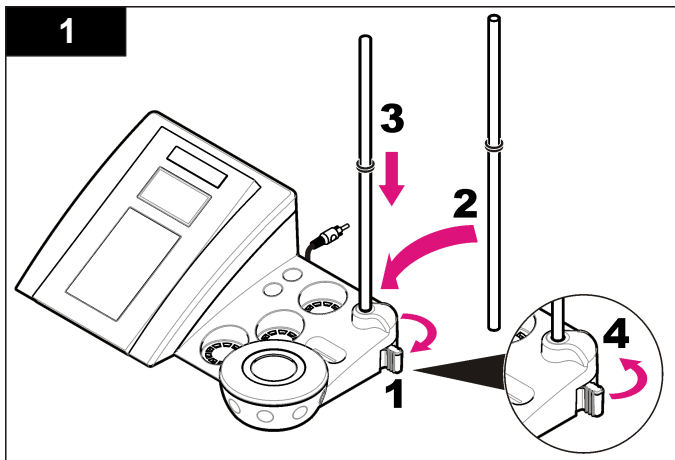


## Instalarea

### Montați suportul sondei.

Urmați pașii numerotați pentru a monta suportul sondei și pentru a conecta agitatorul magnetic.

1	Electrolit pentru sondă	5	Suport de sondă
2	Soluții tampon (pH 4,01, pH 7,00 și pH 10,01)	6	Tijă cu garnitură inelară
3	Pahare de calibrare (cu bară magnetică în interior)	7	Sondă (inclusă numai în seturi)
4	Alimentarea electrică	8	Aparatul de măsură



## Conectarea la o sursă de curent alternativ

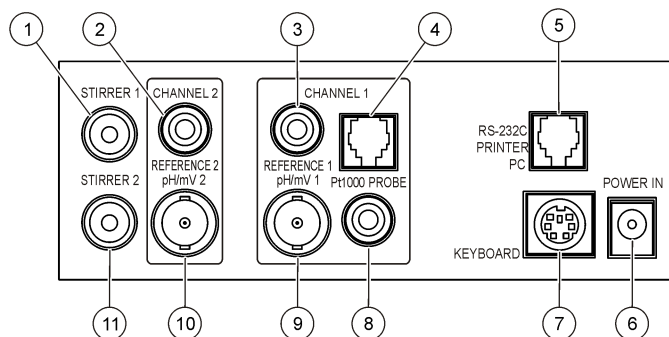
**⚠ PERICOL**

Pericol de electrocutare. Dacă acest echipament este utilizat în aer liber sau în locații cu potențial de umiditate, trebuie utilizat un dispozitiv întrerupere circuit defecțiune masă (GFCI/GFI) pentru conectarea echipamentului la sursa de alimentare principală.

Aparatul de măsură poate fi alimentat cu curent alternativ cu ajutorul unui adaptor de alimentare universal.

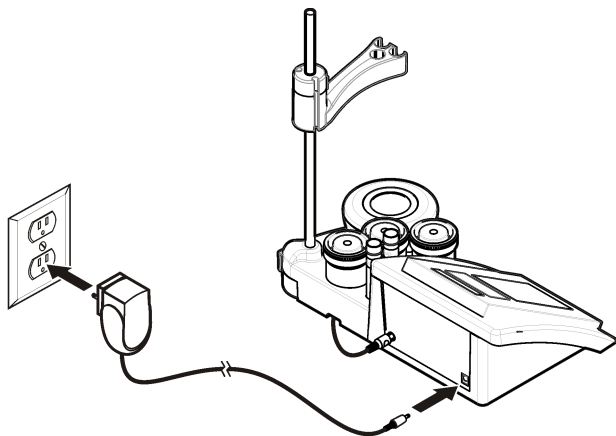
1. Selectați mufa de adaptor corectă pentru priză din kitul de adaptor.
2. Conectați adaptorul de alimentare universal la aparatul de măsură (Figura 2).
3. Conectați adaptorul de alimentare universal la o priză de curent alternativ (Figura 3).
4. Porniți aparatul de măsură.

**Figura 2** Panou conectori



1 Conector agitator magnetic 1, canal 1	7 Tastatură PC, conector DIN mini
2 Conector electrod de referință (electrozi separați), Canal 1	8 Conector sondă de temperatură, Canal 2
3 Conector electrod de referință (electrozi separați), Canal 2	9 Conector electrod pH combinat (sau indicator), Canal 2
4 Conector separat sondă de temperatură, Canal 2	10 Conector electrod pH combinat (sau indicator), Canal 1
5 RS-232 pentru conector imprimantă sau PC	11 Conector agitator magnetic 2, canal 2
6 Alimentarea electrică	

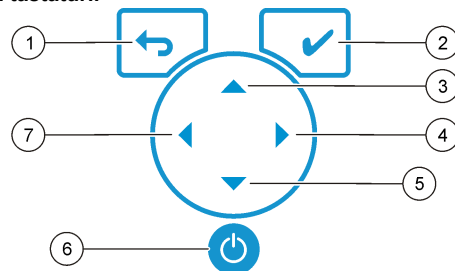
Figura 3 Conexiune electrică de curent alternativ



## Interfața pentru utilizator și navigarea

### Interfața cu utilizatorul

#### Descrierea tastaturii

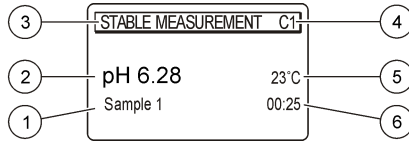


1	Tastă REVENIRE: anulați sau ieșiți din ecranul meniului curent în ecranul meniului anterior	5	Tastă JOS: derulați la alte opțiuni, modificați o valoare
2	Tastă MĂSURARE: confirmați opțiunea selectată	6	PORNIT/OPRIT: porniți și opriți aparatul de măsură
3	Tastă SUS: derulați la alte opțiuni, modificați o valoare	7	Tastă STÂNGA: comutați între Channel 1 (Canal 1) și Channel 2 (Canal 2), între cifre și litere
4	Tastă DREAPTA: comutați între Channel 1 (Canal 1) și Channel 2 (Canal 2), între cifre și litere		

#### Descrierea afișajului

Ecranul aparatului de măsură afișează concentrația, unitățile, temperatura, starea calibrării, ID-ul operatorului, ID-ul probei, data și ora.

**Figura 4 Afișaj cu un singur ecran**



1 Identitatea probei	4 Temperatura probei (°C sau °F)
2 Unitatea de măsură și valoare (pH, ORP (mV) sau ISE)	5 Cronometru de măsurare vizuală
3 Mod de măsurare sau ora și data	

## Navigare

Utilizați pentru a reveni la meniul anterior. Utilizați tasta de măsurare pentru a efectua măsurarea probei sau pentru a confirma opțiunile

Utilizați tastele săgeată pentru a derula la celelalte opțiuni sau pentru a modifica o valoare. Pentru a modifica parametrii utilizați tastele săgeată și . Consultați fiecare sarcină pentru instrucțiuni specifice.

## Pornirea sistemului

### Porniți și opriți turbidimetru

#### NOTĂ

Asigurați-vă că sonda este conectată la aparatul de măsură înainte de pornirea aparatului de măsură.

Apăsati pentru a porni sau a opri aparatul de măsură. Dacă aparatul de măsură nu pornește, asigurați-vă că alimentarea CA este conectată corect la o priză electrică.

## Modificarea limbii

Limba afișajului este selectată când turbidimetru este pornit pentru prima dată.

1. Utilizați sau pentru a selecta o limbă din listă.
2. Confirmați prin apăsarea tastei . Ecranul de măsurare afișează DATA OUTPUT (IEȘIRE DATE).
3. Selectați Deactivated (Dezactivat) dacă nu sunt conectate vreo imprimantă sau vreun PC și confirmați. Consultați [Selectați ieșirea datelor](#) de la pagina 262 pentru informații suplimentare despre Data Output (Ieșire date).

## Operațiune standard

### Calibrarea

#### ⚠ AVERTISMENT

Pericol de expunere chimică. Respectați procedurile de siguranță în laborator și purtați toate echipamentele de protecție personală adecvate pentru substanțele chimice care sunt manipulate. Consultați fișele tehnice de siguranță a materialelor (MSDS) pentru protocoalele de siguranță.

### Setări de calibrare

Setările de calibrare conțin Calibration type (Tip de calibrare), Calibration frequency (Frecvență de calibrare) și Display options (Opțiuni de afișare).

1. Din meniul principal utilizați sau pentru a selecta CALIBRATION (CALIBRARE). Confirmați.
2. Utilizați pentru a intra în meniul de calibrare.
3. Utilizați sau pentru a selecta următoarele opțiuni:

Opțiunea	Descriere
Stability C. (Criteriu de stabilitate):	Criteriu în funcție de stabilitate — selectați Fast (Rapid), Standard sau Strict.

Opțiunea	Descriere
<b>Calibration type (Tip de calibrare)</b>	Calibration type (Tip de calibrare) — selectați Technical buffers (Soluții tampon tehnice), DIN19266 Buffers (Soluții tampon DIN19266), User Buffers (Soluții tampon utilizator), To a X value, data introduction (La o valoare X, introducerea date) sau Theoretical calibration (Calibrare teoretică). Pentru informații suplimentare, consultați <a href="#">Calibration types</a> .
<b>Cal. frequency (Frecvență calibrare)</b>	Notificare pentru calibrare — poate fi setată între 0–7 zile (implicit zilnic). Pe afișaj apare timpul rămas până la calibrarea nouă. Pentru informații suplimentare, consultați <a href="#">Setați notificarea de calibrare</a> de la pagina 261.
<b>Display mV (Afișaj mV)</b>	Afișaj mV — selectați YES (DA) sau NO (NU) pentru a afișa mV.
<b>Standard 220 mV</b>	Standard 220 mV — calibrați cu o soluție standard de 220 mV
<b>To a X value (La o valoare X)</b>	La o valoare X — utilizați o soluție standard specifică. Reglați valoarea în timpul calibrării.
<b>Data introduction (Introducerea date)</b>	Compensare introducerea date — introduceți valoarea de compensare
<b>Factory adjust (Reglare din fabrică)</b>	Reglare din fabrică — introduceți valoarea de compensare

### Tipuri de calibrare

Pot fi selectate diferite tipuri de calibrare

1. Din meniul principal utilizați ▲ sau ▼ pentru a selecta CALIBRATION (CALIBRARE). Confirmați.
2. Utilizați ▲ pentru a intra în meniul de calibrare.
3. Utilizați ▲ sau ▼ pentru a selecta Calibration type (Tip de calibrare).

Opțiunea	Descriere
<b>Technical buffers (Soluții tampon tehnice)</b>	pH 2,00, 4,01, 7,00, 9,21 și 10,01 la 25 °C (77 °F)

Opțiunea	Descriere
<b>DIN19266 Buffers (Soluții tampon DIN19266)</b>	pH 1,679, 4,006, 6,865, 7,000, 9,180, 10,012 și 12,454
<b>User Buffers (Soluții tampon utilizator)</b>	Selectate când nu sunt utilizate soluțiile tampon tehnice sau DIN19266. Consultați <a href="#">Soluții tampon tehnice (DIN 19267)</a> de la pagina 269 pentru valorile pH ale seturilor specifice de soluții tampon la diverse temperaturi.
<b>Calibration to a X value (Calibrare la o valoare X)</b>	Pentru a regla manual orice valoare de scală a pH-ului măsurat.
<b>Data introduction (Introducerea date)</b>	Introducerea manuală a constantei sondei.
<b>Theoretical calibration (Calibrare teoretică)</b>	Datele de calibrare a sondei sunt înlocuite la 25 °C (77 °F).

### Procedură de calibrare

Această procedură este pentru uz general cu soluții de calibrare lichide. Consultați documentele care sunt incluse cu fiecare sondă pentru informații suplimentare.

**Notă:** *Soluțiile trebuie agitate în timpul calibrării. Pentru informații suplimentare despre setările de agitare, consultați [Modificarea setărilor de agitare](#) de la pagina 263.*

1. Turnați soluțiile tampon sau soluțiile de calibrare în separatoarele de calibrare etichetate.
2. Pentru meniul principal utilizați ▲ sau ▼ și ◀ și ▶ pentru a selecta parametrul CALIBRATION (CALIBRARE). Confirmați.
3. Dacă este necesar, selectați ID-ul operatorului (între 1 și 10) și confirmați.
4. Clătiți sonda cu apă deionizată și introduceți sonda în primul pahar de calibrare. Asigurați-vă că nu există bule de aer în membrană.
5. Apăsăți ✓ pentru a porni calibrarea.
6. Apăsăți ✓ pentru a măsura prima soluție de calibrare. Este afișată următoarea soluție de calibrare.



- Clătiți sonda cu apă deionizată și introduceți sonda în al doilea pahar de calibrare. Asigurați-vă că nu există bule de aer în membrană.
- Apăsati ✓ pentru a măsura a doua soluție de calibrare. Este afișată următoarea soluție de calibrare.
- Clătiți sonda cu apă deionizată și introduceți sonda în al treilea pahar de calibrare. Asigurați-vă că nu există bule de aer în membrană.
- Apăsati ✓ pentru a măsura a treia soluție de calibrare. Când calibrarea este reușită, pe afișat apare scurt Calibration OK (Calibrare reușită) și apoi revine la meniul principal.  
**Notă:** Când o imprimantă este conectată meniul de imprimare se deschide și rezultatul poate fi imprimat.

## Vizualizați datele de calibrare

Datele de la cea mai recentă calibrare pot fi afișate.

- Din meniul principal utilizați ▲ sau ▼ pentru a selecta DATA LOGGER (ÎNREGISTRATOR DE DATE). Confirmați.
- Selectați Display data (Afișare date).
- Selectați Calibration data (Datele de calibrare) și confirmați cu tasta ✓. Sunt afișate cele mai recente date de calibrare.
  - pH — valorile înclinării și decalajului sunt afișate alternativ cu devierea (în %) și temperatura de calibrare.
  - ORP — valoarea mV măsurată și temperatura de calibrare sunt afișate.
  - Conductivitate — constanta celulei și temperatura de calibrare pentru fiecare standard sunt afișate.

## Setați notificarea de calibrare

Notificarea de calibrare poate fi setată între 1 și 23 de ore sau 1-7 zile (implicit 1 zi). Pe afișaj apare timpul rămas până la calibrarea nouă.

**Notă:** Când este selectat 0 zile, notificarea de calibrare este oprită.

- Din meniul principal utilizați ▲ sau ▼ pentru a selecta CALIBRATION (CALIBRARE). Confirmați.
- Utilizați ▲ pentru a intra în meniul de calibrare.
- Utilizați ▲ sau ▼ pentru a selecta Cal. frequency (Frecvență calibrare) și confirmați.

- Utilizați ◀ și ▶ pentru a avansa la pasul următor și utilizați ▲ sau ▼ pentru a modifica o valoare. Confirmați.  
Apăsati ✓ pentru a porni calibrarea.

## Măsurările probelor

Fiecare sondă are pași specifici de pregătire și proceduri pentru efectuarea măsurărilor probelor.

- Pentru meniul principal utilizați ▲ sau ▼ și ◀ și ▶ pentru a selecta MEASURE (MĂSURARE). Confirmați.
- Utilizați ▲ pentru a schimba următoarele setări. Confirmați fiecare intrare.

Opțiunea	Descriere
<b>Rezoluție</b>	Selectați rezoluția: 1, 0,1, 0,01 (implicit) sau 0,001
<b>Measure (Măsurare)</b>	Stability (Stabilitate) — selectați criteriul By stability (În funcție de stabilitate): Fast (Rapid) (variație < 0,02 pH în 6 s), Standard (variație < 0,01 pH în 6 s) sau Strict (variație < 0,002 pH în 6 s). In continuous (În mod continuu) — introduceți intervalul de timp pentru intervalul de achiziție In continuous (În mod continuu) (stocare date sau imprimare date). By time (În funcție de timp) — introduceți intervalul de timp pentru stocarea datelor sau imprimarea datelor.
<b>Display mV (Afișaj mV)</b>	Afișaj mV — selectați YES (DA) sau NO (NU) pentru a afișa mV.
<b>Limits (Limite)</b>	Limite (Limite) — selectați YES (DA) sau NO (NU). YES (DA): Introduceți limitele superioară și inferioară. O avertizare sonoră pornește când măsurarea este în afara limitei. Crearea raportului afișează un A lângă valoarea măsurată când măsurarea a fost în afara limitei.
<b>Isopotential (Izopotențial)</b>	Isopotential (Izopotenția) — modificați valoarea Isopotential pH (pH izopotențial) în Data introduction (Introducere date). Selectați Calculate (Calculare) pentru a calibra sonda din nou.

- Apăsati ✓ pentru a porni măsurarea.

**Notă:** Dacă măsurarea nu se stabilizează după 120 de secunde, aparatul de măsură comută automat în modul de măsurare continuă.

## Operațiune avansată

### Modificarea unităților de măsură

Unitățile de măsură pot fi modificate individual pentru fiecare canal.

1. Din meniul principal utilizați ▲ sau ▼ pentru a selecta SYSTEM (SYSTEM). Confirmați.
2. Utilizați ▲ sau ▼ pentru a selecta Measurement units (Unități de măsură) și confirmați.
3. Selectați Channel 1 (Canal 1) sau Channel 2 (Canal 2) și confirmați.
4. Selectați ORP (mV), pH sau ISE și confirmați.

### Utilizați un ID eșantion

Eticheta ID eșantion este utilizată pentru a asocia valorile asociate cu o anumită locație a eșantionului. Dacă sunt atribuite, datele stocate vor include acest ID.

1. Din meniul principal utilizați ▲ sau ▼ pentru a selecta SYSTEM (SYSTEM). Confirmați.
2. Utilizați ▲ sau ▼ pentru a selecta Sample ID (ID probă) și confirmați.
3. Utilizați ▲ sau ▼ pentru a selecta

Opțiunea	Descriere
<b>Automat</b>	Un număr consecutiv va fi alocat automat fiecărei probe.
<b>Manual</b>	Este necesară o tastatură sau un scanner de coduri de bare pentru a introduce numele ID-ului probei înainte de efectuarea măsurării (maxim 15 caractere).

### Selectați ieșirea datelor

Datele pot fi stocate sau transferate la o imprimantă sau pe un PC.

1. Din meniul principal utilizați ▲ sau ▼ pentru a selecta SYSTEM (SYSTEM). Confirmați.
2. Utilizați ▲ sau ▼ pentru a selecta Data Output (Ieșire date) și confirmați.
3. Utilizați ▲ sau ▼ pentru a selecta

Opțiunea	Descriere
<b>Deactivated (Dezactivat)</b>	Selectați Deactivated (Dezactivat) dacă nu sunt conectate vreo imprimantă sau vreun PC.
<b>For Printer (Pentru imprimantă)</b>	Selectați Dot matrix printer (Imprimantă matriceală) sau Thermal printer (Imprimantă termică).
<b>For Computer (Pentru computer)</b>	Selectați Terminal, LabCom sau LabCom Easy. Software-ul LabCom controlează mai multe module, aparate de măsură a pH-ului și a conductivității, biurete automate, prelevatoare și altele de pe un computer. Software-ul LabCom Easy obține datele referitoare la pH și conductivitate de la un PC.

### Schimbarea datei și a orei

Data și ora pot fi schimbate din meniul Date / Time (Dată / Oră).

1. Din meniul principal utilizați ▲ sau ▼ pentru a selecta SYSTEM (SYSTEM). Confirmați.
2. Utilizați ▲ sau ▼ pentru a selecta Date / Time și confirmați.
3. Utilizați ◀ și ▶ pentru a avansa la pasul următor și utilizați ▲ sau ▼ pentru a modifica o valoare. Confirmați.  
Data și ora curente vor fi afișate pe ecran.

### Ajustarea contrastului afișajului

1. Din meniul principal utilizați ▲ sau ▼ pentru a selecta SYSTEM (SYSTEM). Confirmați.
2. Utilizați ▲ sau ▼ pentru a selecta Display contrast (Contrast afișaj) și confirmați.
3. Utilizați ◀ și ▶ pentru a regla contrastul afișajului și confirmați.

## Ajustarea temperaturii

Măsurarea temperaturii poate fi ajustată la 25 °C (77 °F) și/sau 85 °C (185 °F) pentru a mări precizia.

1. Introduceți sonda și termometrul de referință într-un recipient cu apă la aproximativ 25 °C și lăsați temperatura să se stabilizeze.
2. Comparați temperatura citită de aparatul de măsură cu cea a termometrului de referință. Diferența este valoarea de reglare a aparatului de măsură.  
Exemplu: termometru de referință: 24,5 °C; aparat de măsură: 24,3 °C. Valoare de ajustare: 0,2 °C.
3. Introduceți valoarea de ajustare pentru citirea de 25 °C:
  - a. Din meniul principal utilizați ▲ sau ▼ pentru a selecta SYSTEM (SYSTEM). Confirmați.
  - b. Utilizați ▲ sau ▼ pentru a selecta Readjust temp. (Reajustare temperatură). și confirmați.
  - c. Selectați Channel 1 (Canal 1) sau Channel 2 (Canal 2) și confirmați. Temperatura pentru canalul 1 este măsurată de celula de conductivitate și canalul 2 este măsurat de sonda pH. Dacă nu este conectată nicio celulă de conductivitate, valoarea temperaturii trebuie introdusă manual sau temperatura măsurată în canalul 2 poate fi aplicată aparatului de măsură.
  - d. Utilizați ▲ sau ▼ pentru a selecta 25 °C și confirmați.
  - e. Utilizați tastele săgeată pentru a introduce valoarea de reglare pentru 25 °C. Confirmați.
4. Introduceți sonda și termometrul de referință într-un recipient cu apă la aproximativ 85 °C și lăsați temperatura să se stabilizeze.
5. Comparați temperatura de pe aparatul de măsură cu cea a termometrului de referință. Diferența este valoarea de reglare a aparatului de măsură.
  - a. Utilizați ▲ sau ▼ pentru a selecta 85 °C și confirmați.
  - b. Utilizați tastele săgeată pentru a introduce valoarea de reglare pentru 85 °C. Confirmați.
  - c. Selectați Save changer (Salvare modificări) și confirmați.

## Modificarea setărilor de agitare

Agitatorul magnetic poate fi pornit și viteza de agitare poate fi modificată în meniul Stirring (Agitare).

1. Din meniul principal utilizați ▲ sau ▼ pentru a selecta SYSTEM (SYSTEM). Confirmați.
2. Utilizați ▲ sau ▼ pentru a selecta Stirring (Agitare) și confirmați.
3. Pentru a porni / opri agitatorul apăsați ✓.
4. Când agitatorul este pornit, utilizați ▲ sau ▼ pentru a modifica viteza de agitare în %.  
*Notă: Utilizați ▲ sau ▼ pentru a modifica viteza de agitare în timpul calibrării și în timpul unei măsurări.*

## Pornirea sau oprirea agitatorului

Agitatorul 1 funcționează cu Canal 1 și 2 (Agitator 1) Al doilea agitator poate fi conectat la canalul 2 (Agitator 2). Pentru activarea agitatorului 2 consultați pașii următori.

1. Din meniul principal utilizați ▲ sau ▼ pentru a selecta SYSTEM (SYSTEM). Confirmați prin apăsarea tastei ✓.
2. Utilizați ▲ sau ▼ pentru a selecta Stirrer N.2 (Agitator 2) și confirmați cu ✓.
3. Utilizați ▲ sau ▼ pentru a selecta YES (DA) pentru a porni agitatorul 2.  
*Notă: Selectați NO (NU) pentru a opri agitatorul 2.*

## Modificarea unităților pentru temperatură

Unitățile pentru temperatură pot fi modificate la Celsius sau Fahrenheit.

1. Din meniul principal utilizați ▲ sau ▼ pentru a selecta SYSTEM (SYSTEM). Confirmați.
2. Utilizați ▲ sau ▼ pentru a selecta Temperature units (Unități de temperatură) și confirmați.
3. Utilizați ▲ sau ▼ pentru a selecta între Celsius sau Fahrenheit și confirmați.

# Înregistrator de date

## Afișarea datelor

Display data log (Afișare jurnalizare date) conține Measurement data (Date de măsurare), Electrode report (Raport electrod) și Calibration data (Date de calibrare). Datele memorate pot fi trimise la o imprimantă sau la un PC. După umplerea completă a jurnalului de date (400 de puncte de date), cel mai vechi punct de date este șters la adăugarea unui punct de date nou.

1. Utilizați ◀ și ▶ pentru a selecta Channel 1 (Canal 1) sau Channel 2 (Canal 2) și confirmați.
2. Din meniul principal utilizați ▲ sau ▼ pentru a selecta SYSTEM (SISTEM). Confirmați.
3. Utilizați ▲ sau ▼ pentru a selecta DATA LOGGER (JURNAL DE DATE) și confirmați.
4. Utilizați ▲ sau ▼ pentru a selecta Display data (Afișare date) și confirmați.
5. Utilizați ▲ sau ▼ pentru a selecta

Opțiunea	Descriere
<b>Measurement data (Date de măsurare)</b>	Date de măsurare — memorează automat de fiecare dată când este măsurată o probă
<b>Electrode report (Raport electrod)</b>	Raport electrod — memorează automat istoricul electrodului și condițiile de măsurare
<b>Calibration data (Datele de calibrare)</b>	Datele de calibrare — memorează automat calibrarea curentă

## Ștergeți date

Toată jurnalizarea raportului electrodului sau a datelor de măsurare poate fi ștersă pentru a elimina datele care sunt trimise deja la o imprimantă sau un PC.

1. Din meniul principal utilizați ▲ sau ▼ pentru a selecta SYSTEM (SISTEM). Confirmați.

2. Utilizați ▲ sau ▼ pentru a selecta DATA LOGGER (JURNAL DE DATE) și confirmați.
3. Utilizați ▲ sau ▼ pentru a selecta Erase (Ștergere) și confirmați.
4. Utilizați ▲ sau ▼ pentru a selecta Measurement data (Date de măsurare) sau Electrode report (Raport electrod) și confirmați. Confirmați din nou pentru a ștergere datele. Tot jurnalul este șters imediat.

## Trimiterea datelor la o imprimantă sau un computer

### NOTĂ

Ieșirea datelor (la imprimantă sau PC) trebuie selectată mai întâi, astfel încât meniul Print (Imprimare) să fie disponibil (consultați [Selectați ieșirea datelor](#) de la pagina 262).

*Notă:* Consultați [Crearea raportului](#) de la pagina 264 pentru a selecta tipul de creare a raportului.

1. Din meniul principal utilizați ▲ sau ▼ pentru a selecta SYSTEM (SISTEM). Confirmați.
2. Utilizați ▲ sau ▼ pentru a selecta DATA LOGGER (JURNAL DE DATE) și confirmați.
3. Utilizați ▲ sau ▼ pentru a selecta Print (Imprimare) și confirmați. Selectați una dintre următoarele opțiuni și confirmați cu ✓ pentru a imprima datele: Measurement data (Date de măsurare), Electrode data (Date electrod), Calibration data (Date de calibrare), Calibration report (Raport de calibrare) sau Instrument condit. (Stare instrument).

## Crearea raportului

### NOTĂ

Ieșirea datelor (la imprimantă sau PC) trebuie selectată mai întâi, astfel încât meniul Type of report (Tip de raport) să fie disponibil (consultați [Selectați ieșirea datelor](#) de la pagina 262).

Pot fi selectate diferite tipuri de creare a raportului când sunt conectate o imprimantă sau un PC.

1. Din meniul principal utilizați ▲ sau ▼ pentru a selecta SYSTEM (SISTEM). Confirmați.
2. Utilizați ▲ sau ▼ pentru a selecta Type of report (Tip de raport) și confirmați.
3. Când o imprimantă sau un computer și Terminal este conectat, utilizați ▲ sau ▼ pentru a selecta

Opțiunea	Descriere
<b>Reduced (Redus)</b>	Selectați Several (Mai multe) sau One sample (O probă) ca format de ieșire
<b>Standard</b>	Selectați Several (Mai multe) sau One sample (O probă) ca format de ieșire. Selectați mai mulți: <b>Users (Utilizatori)</b> : Numele utilizatorului apare pe raportul imprimat (17 caractere). <b>Header (Antet)</b> : Numele companiei poate fi adăugat ca un antet (40 de caractere) și apare pe raportul de imprimare. <b>Identify sensor (Identificare senzor)</b> : Modelul senzorului și numărul de serie al senzorului pot fi adăugate și apar pe raportul imprimat.
<b>GLP</b>	Selectați Several (Mai multe) sau One sample (O probă) ca format de ieșire. Selectați mai mulți: <b>Users (Utilizatori)</b> : Numele utilizatorului apare pe raportul imprimat (17 caractere). <b>Header (Antet)</b> : Numele companiei poate fi adăugat ca un antet (40 de caractere) și apare pe raportul de imprimare. <b>Identify sensor (Identificare senzor)</b> : Modelul senzorului și numărul de serie al senzorului pot fi adăugate și apar pe raportul imprimat.

4. Când un computer este conectat și LabCom Easy (consultați [Selectați ieșirea datelor](#) de la pagina 262 pentru mai multe informații) este selectat, utilizați ▲ sau ▼ pentru a selecta

Opțiunea	Descriere
<b>Users (Utilizatori)</b>	Numele utilizatorului apare pe raportul imprimat (17 caractere).
<b>Identify sensor (Identificare senzor)</b>	Modelul senzorului și numărul de serie al senzorului pot fi adăugate și apar pe raportul imprimat.

## Întreținerea

### ▲ AVERTISMENT

Pericole multiple. Nu demontați instrumentul pentru întreținere sau service. Dacă componentele interne trebuie curățate sau reparate, contactați producătorul.

### ▲ ATENȚIE

Pericol de rănire. Numai personalul calificat trebuie să efectueze operațiile descrise în această secțiune a manualului.

## Curățarea instrumentului

### NOTĂ

Nu utilizați niciodată agenți de curățare precum terebentina, acetona sau produse similare pentru a curăța instrumentul, inclusiv afișajul și accesoriile.

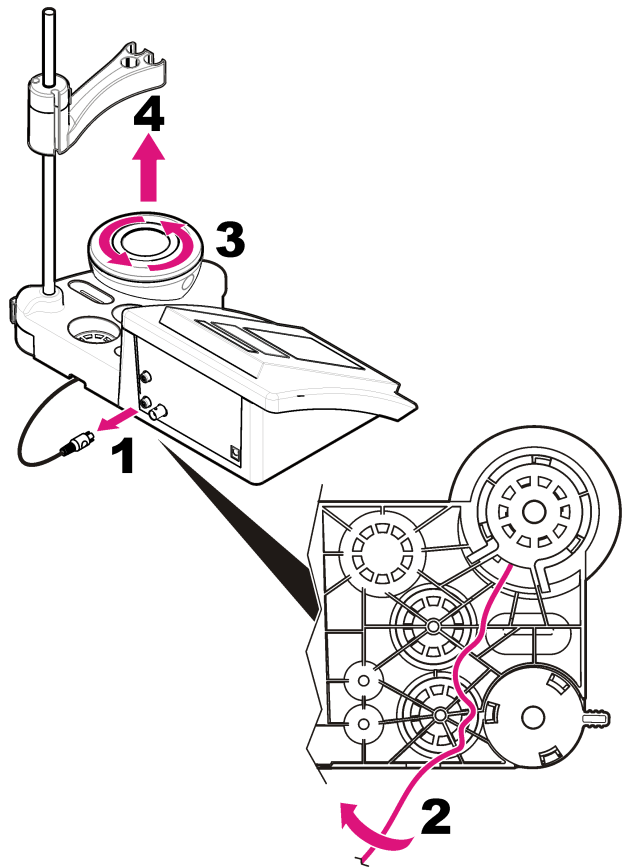
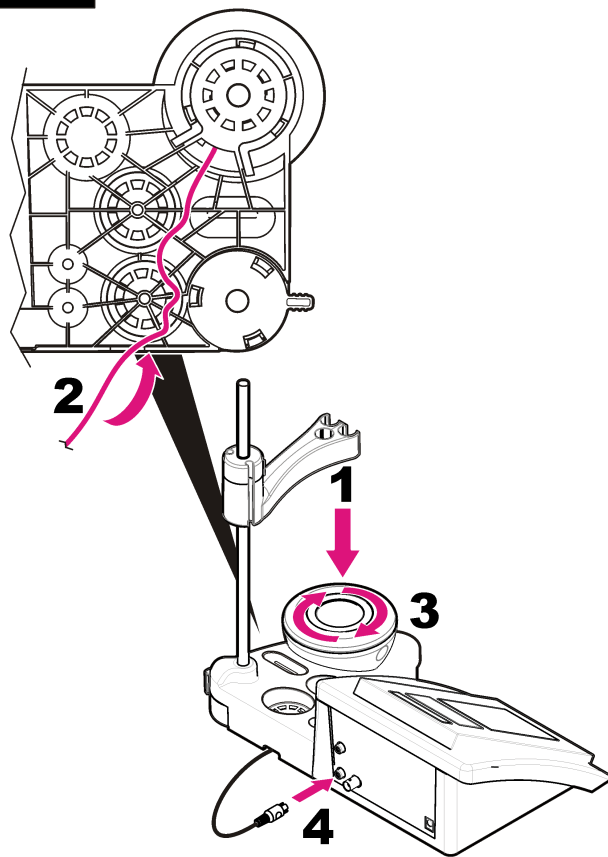
Curățați exteriorul instrumentului cu o cârpă moale și o soluție slabă de apă și săpun.

## Clean the probe (Curățați sonda)

Curățați sonda, dacă este necesar. Consultați [Depanarea](#) de la pagina 267 pentru informații suplimentare despre curățare. Consultați documentația sondei pentru informații despre întreținerea sondei.

## Înlocuiți agitatorul magnetic

Dacă agitatorul magnetic nu pornește, urmați pașii numerotați pentru a înlocui agitatorul magnetic.

**1****2**

## Depanarea

Consultați următorul tabel pentru mesaje referitoare la probleme sau simptome comune, cauze posibile și acțiuni de remediere.

**Tabelul 1 Avertizări și erori de calibrare**

Eroare/Avertisment	Soluție
Asimetrie > 58 mV	Pantă în afara intervalului (valori acceptate $\pm 58$ mV). Calibrați din nou. Conectați o sondă nouă.
Soluție tampon sau electrod în stare necorespunzătoare.	<p>Examinați sonda: Curățați sonda (consultați <a href="#">Clean the probe (Curățați sonda)</a> de la pagina 265 pentru informații suplimentare); asigurați-vă că nu există bule de aer în membrană. Scuturați sonda ca un termometru; conectați altă sondă pentru a verifica dacă problema este la sondă sau la aparatul de măsură.</p> <p>Examinați soluția tampon: Asigurați-vă că soluția tampon utilizată corespunde cu soluția tampon specificată în configurație; asigurați-vă de specificația temperaturii în configurație; utilizați soluția tampon nouă.</p>
BUFFER NOT RECOGNIZED (SOLUȚIE TAMPON NERECUNOSCUTĂ)	Calibrați din nou.
Sens. (a) < 70%	<p>Examinați sonda: Curățați sonda (consultați <a href="#">Clean the probe (Curățați sonda)</a> de la pagina 265 pentru informații suplimentare); asigurați-vă că nu există bule de aer în membrană. Scuturați sonda ca un termometru; conectați altă sondă pentru a verifica dacă problema este la sondă sau la aparatul de măsură.</p> <p>Examinați soluția tampon: Asigurați-vă că soluția tampon utilizată corespunde cu soluția tampon specificată în configurație; asigurați-vă de specificația temperaturii în configurație; utilizați soluția tampon nouă.</p>

**Tabelul 1 Avertizări și erori de calibrare (continuare)**

Eroare/Avertisment	Soluție
UNSTABLE READING (CITIRE INSTABILĂ) Timp t > 100 s	<p>Calibrați din nou.</p> <p>Examinați sonda: Curățați sonda (consultați <a href="#">Clean the probe (Curățați sonda)</a> de la pagina 265 pentru informații suplimentare); asigurați-vă că nu există bule de aer în membrană. Scuturați sonda ca un termometru; conectați altă sondă pentru a verifica dacă problema este la sondă sau la aparatul de măsură.</p> <p>Asigurați-vă că membrana și diafragma sunt introduse corect în probă.</p>
Verificați temperatura. Verificați electrodul	<p>Asigurați-vă de specificația temperaturii din configurație.</p> <p>Examinați sonda: Curățați sonda (consultați <a href="#">Clean the probe (Curățați sonda)</a> de la pagina 265 pentru informații suplimentare); asigurați-vă că nu există bule de aer în membrană. Scuturați sonda ca un termometru; conectați altă sondă pentru a verifica dacă problema este la sondă sau la aparatul de măsură.</p>
Electrod în stare necorespunzătoare.	<p>Examinați sonda: Curățați sonda (consultați <a href="#">Clean the probe (Curățați sonda)</a> de la pagina 265 pentru informații suplimentare); asigurați-vă că nu există bule de aer în membrană. Scuturați sonda ca un termometru; conectați altă sondă pentru a verifica dacă problema este la sondă sau la aparatul de măsură.</p>
Verificați electrodul.	
SAME BUFFERS (ACELEAȘI SOLUȚII TAMPON)	<p>Calibrați din nou.</p> <p>Examinați sonda: Curățați sonda (consultați <a href="#">Clean the probe (Curățați sonda)</a> de la pagina 265 pentru informații suplimentare); asigurați-vă că nu există bule de aer în membrană. Scuturați sonda ca un termometru; conectați altă sondă pentru a verifica dacă problema este la sondă sau la aparatul de măsură.</p> <p>Examinați soluția tampon: utilizați soluția tampon nouă.</p>

**Tabelul 2 Avertizări și erori de măsurare**

Eroare/Avertisment	Soluție
pH 12,78 19 °C	Calibrați din nou
pH în afara intervalului	Examinați sonda: Curățați sonda (consultați <a href="#">Clean the probe (Curățați sonda)</a> de la pagina 265 pentru informații suplimentare); asigurați-vă că nu există bule de aer în membrană. Scuturați sonda ca un termometru; conectați altă sondă pentru a verifica dacă problema este la sondă sau la aparatul de măsură.
Temperatură în afara intervalului °C	Examinați senzorul de temperatură. Conectați altă sondă pentru a verifica dacă problema este la sondă sau la aparatul de măsură.
Timp > 60 s	Asigurați-vă că membrana și diafragma sunt introduse corect în probă.
Timp > 150 s	
Timp > 300 s	Examinați sonda: Curățați sonda (consultați <a href="#">Clean the probe (Curățați sonda)</a> de la pagina 265 pentru informații suplimentare); asigurați-vă că nu există bule de aer în membrană. Scuturați sonda ca un termometru; conectați altă sondă pentru a verifica dacă problema este la sondă sau la aparatul de măsură.
10,389 mg/l >>>>> 00012 00:13	Măsurare ISE: Valoarea măsurată este mai mare decât cel mai mare standard utilizat în calibrare. Măsurați din nou.
0,886 mg/l <<<<<< 00018 00:11	Măsurare ISE: Valoarea măsurată este mai mică decât cel mai mic standard utilizat în calibrare. Măsurați din nou.

## Piese de schimb și accesorii

**Notă:** Numerele de produs și articol pot să varieze pentru unele regiuni de comercializare. Contactați distribuitorul corespunzător sau consultați site-ul Web al companiei pentru informații de contact.

## Piese de schimb

Descriere	Număr articol
Aparat de măsură pH de laborator sensION+ PH3 cu accesorii, fără sondă	LPV2000.98.0002
Aparat de măsură pH de laborator sensION+ PH31 cu accesorii, fără sondă	LPV2100.98.0002
Aparat de măsură pH și electroliți de laborator sensION+ MM340, GLP, 2 canale, cu accesorii, fără sondă	LPV2200.98.0002
Aparat de măsură conductivitate de laborator sensION+ EC7, cu accesorii, fără sondă	LPV3010.98.0002
Aparat de măsură conductivitate de laborator sensION+ EC71, GLP, cu accesorii, fără sondă	LPV3110.98.0002
Aparat de măsură de laborator sensION+ MM374, 2 canale, GLP, accesorii, fără sonde	LPV4110.98.0002

## Materiale consumabile

Descriere	Număr articol
Soluție tampon pH 4,01, 125 mL	LZW9460.99
Soluție tampon pH 7,00, 125 mL	LZW9461.98
Soluție tampon pH 10,01, 125 mL	LZW9470.99
Soluție tampon pH 4,01, 250 mL	LZW9463.99
Soluție tampon pH 7,00, 250 mL	LZW9464.98
Soluție tampon pH 10,01, 250 mL	LZW9471.99
Soluție tampon pH 4,01, 1000 mL	LZW9466.99
Soluție tampon pH 7,00, 1000 mL	LZW9467.98
Soluție tampon pH 10,01, 1000 mL	LZW9472.99
Soluție electrolitică (KCl 3M), 125 ml	LZW9510.99
Soluție electrolitică (KCl 3M), 250 ml	LZW9500.99



## Piese de schimb și accesorii (continuare)

Descriere	Număr articol
Soluție electrolitică (KCl 3M), 50 ml	LZW9509.99
Soluție electrolitică 0,1M, 125 ml	LZW9901.99
Soluție cu enzime	2964349
Soluție de curățare cu pepsină	2964349
Soluție de curățare a electrozilor	2965249
Soluție HCl 0,1 N	1481253

## Accesorii

Descriere	Număr articol
Imprimantă termică, RS232 pentru sensION+ de tip benchtop	LZW8201.99
Hârtie termică pentru imprimanta LZW8201, pungă cu 5 role	LZW9117.99
Imprimantă matriceală, RS232, pentru instrumente sensION+	LZW8200.99
Hârtie standard pentru imprimanta LZW8200, pungă cu 10 role	LZW9000.99
Panglică pentru imprimanta LZW8200, 3 unități	LZW9001.99
Software LabCom Easy PC, pentru sensION+ GLP, CD, cablu, adaptor USB	LZW8997.99
Software LabCom PC, pentru sensION+ GLP, CD, cablu, adaptor USB	LZW8999.99
Cablu RS232, pentru instrumente sensION+ de tip benchtop	LZW9135.99
Cablu RS232 pentru sensION+ de tip benchtop, cu adaptor USB	LZW9135USB.99

## Piese de schimb și accesorii (continuare)

Descriere	Număr articol
Agitator magnetic cu suport de senzor, pentru sensION+ MM de tip benchtop	LZW9319.99
3 separatoare imprimabile de 50 ml pentru calibrarea pH de tip benchtop	LZW9110.98
Suport cu trei senzori, pentru instrumente sensION+ de tip benchtop	LZW9321.99
Suport și clemă pentru trei senzori	LZW9155.99
Camera din sticlă pirex, măsurări continue de debit	LZW9118.99
Protecție din PP, depozitare electrod	LZW9161.99

## Soluții standard

### Soluții tampon tehnice (DIN 19267)

Consultați valorile pH sau ORP (mV) [Tabelul 3](#) ale seturilor specifice de soluții tampon la diverse temperaturi.

**Tabelul 3 Valori ale pH, ORP (mV) și ale temperaturii**

Temperatură		pH					mV
°C	°F						
0	32	2,01	4,01	7,12	9,52	10,30	—
10	50	2,01	4,00	7,06	9,38	10,17	245
20	68	2,00	4,00	7,02	9,26	10,06	228
<b>25</b>	<b>77</b>	<b>2,00</b>	<b>4,01</b>	<b>7,00</b>	<b>9,21</b>	<b>10,01</b>	<b>220</b>
30	86	2,00	4,01	6,99	9,16	9,96	212
40	104	2,00	4,03	6,97	9,06	9,88	195
50	122	2,00	4,06	6,97	8,99	9,82	178
60	140	2,00	4,10	6,98	8,93	9,76	160

**Tabelul 3 Valori ale pH, ORP (mV) și ale temperaturii (continuare)**

Temperatură		pH						mV
°C	°F							
70	158	2,01	4,16	7,00	8,88	—	—	
80	176	2,01	4,22	7,04	8,83	—	—	
90	194	2,01	4,30	7,09	8,79	—	—	

**Soluții tampon (DIN 19266)**

Consultați [Tabelul 4](#) pentru valorile pH sau ORP (mV) ale seturilor specifice de soluții tampon la diverse temperaturi.

**Tabelul 4 Valori ale pH, ORP (mV) și ale temperaturii**

Temperatură		pH						mV	
°C	°F								
5	32	1,668	4,004	6,951	7,087	9,395	10,245	13,207	
10	50	1,670	4,000	6,923	7,059	9,332	10,179	13,003	
20	68	1,675	4,001	6,881	7,016	9,225	10,062	12,627	
<b>25</b>	<b>77</b>	<b>1,679</b>	<b>4,006</b>	<b>6,865</b>	<b>7,000</b>	<b>9,180</b>	<b>10,012</b>	<b>12,454</b>	
30	86	1,683	4,012	6,853	6,987	9,139	9,966	12,289	
40	104	1,694	4,031	6,838	6,970	9,068	9,889	11,984	
50	122	1,707	4,057	6,833	6,964	9,011	9,828	11,705	
60	140	1,723	4,085	6,836	6,968	8,962	—	11,449	
70	158	1,743	4,126	6,845	6,982	8,921	—	—	

**Tabelul 4 Valori ale pH, ORP (mV) și ale temperaturii (continuare)**

Temperatură		pH						mV	
°C	°F								
80	176	1,766	4,164	6,859	7,004	8,885	—	—	
90	194	1,792	4,205	6,877	7,034	8,850	—	—	

## Techniniai duomenys

Techniniai duomenys gali būti keičiami be išankstinio įspėjimo.

Specifikacija	Išsami informacija
Matmenys	35 x 20 x 11 cm (13,78 x 7,87 x 4,33 in)
Svoris	1100 g (2,43 lb)
Matuoklio dėžutė	IP42
Maitinimas (naudojant išorinį šaltinį)	100–240 V, 0,4 A, 47–63 Hz
Matavimo prietaiso apsaugos klasė	II klasė
Laikymo temperatūra	Nuo –15 iki +65 °C (nuo 5 iki +149 °F)
Darbinė temperatūra	0–40 °C(41–104 °F)
Darbinis drėgnis	< 80 % (be kondensacijos)
Resolution (raiška)	pH: 0,1 / 0,01 / 0,001, ORP: 0,1 / 1 mV, ISE: programuojamasis, temperatūra: 0,1 °C (0,18 °F)
Matavimo paklaida (± 1 skaitmuo)	pH: ≤ 0,002, ORP: ≤ 0,2 mV, temperatūra: ≤ 0,2 °C (≤ 0,36 °F)
Atkuriamumas (± 1 skaitmuo)	pH: ± 0,001, ORP: ± 0,1 mV, temperatūra: ± 0,1 °C (± 0,18 °F)
Duomenų saugykla	330 rezultatų ir mažiausiai 9 kalibravimai
Jungtys	2 kombinuotieji arba indikatoriaus zondai: BNC jungtis (Imp. >10 <sup>12</sup> Ω); 2 referentiniai elektrodai: bananinė jungtis; A.T.C. tipas Pt 1000: bananinė arba telefoninė jungtis; magnetinis maišiklis: RCA jungtis; 2 magnetiniai maišikliai: RCA jungtis
Temperatūros koregavimas	Rankinis, Pt 1000 temperatūros zondas (A.T.C.), izopotencialinis pH programuojamasis, standartinė vertė 7,00
Matavimų ekrano užraktas	Nuolatinis matavimas, pagal stabilumą

Specifikacija	Išsami informacija
Ekranas	Skystųjų kristalų, foninis apšvietimas, 128 x 64 taškų
Klaviatūra	PET su apsaugine konstrukcija
Pažymėjimas	CE

## Bendrojo pobūdžio informacija

Pataisytuosius leidimus rasite gamintojo žiniatinklio svetainėje.

## Saugos duomenys

### PASTABA

Gamintojas nėra atsakingas už jokių nuostolių dėl netinkamo šio gaminio taikymo ar naudojimo, įskaitant tiesioginius, atsitiktinius ir šalutinius nuostolius, bet tuo neapsiribojant, ir nepripažįsta jokios atsakomybės už tokius nuostolius, kiek tai leidžia galiojantys įstatymai. Tik naudotojas yra atsakingas už taikymo lemiamo pavojaus nustatymą ir tinkamų mechanizmų procesams apsaugoti per galimą įrangos triktį įrengimą.

Perskaitykite visą šį dokumentą prieš išpakuodami, surinkdami ir pradėdami naudoti šį įrenginį. Atkreipkite dėmesį į visus įspėjimus apie pavojų ir atsargumo priemones. Priešingu atveju įrenginio naudotojas gali smarkiai susižeisti arba sugadinti įrenginį.

Įsitikinkite, kad šio įrenginio apsauga nepažeista. Nenaudokite ir nemontuokite šio įrenginio kitokiu būdu, nei nurodyta šiame vadove.

## Informacijos apie pavojų naudojimas

### ▲ PAVOJUS

Žymi galimą arba neišvengiamą pavojingą situaciją, į kurią pakliuvus galima mirtinai ar stipriai susižeisti.

### ▲ ĮSPĖJIMAS

Žymi galimą arba neišvengiamą pavojingą situaciją, kurios nevengiant gali grėsti mirtis ar stiprus sužeidimas.

## ⚠ ATSAUGIAI



Žymi galimą pavojingą situaciją, dėl kurios galima lengvai ar vidutiniškai susižeisti.

## PASTABA

Žymi situaciją, kurios neišvengus gali būti sugadintas prietaisas. Informacija, kuriai reikia skirti ypatingą dėmesį.

### Apie pavojų perspėjančios etiketės

Perskaitykite visas prie prietaiso pritvirtintas etiketes ir žymas. Nesilaikant nurodytų įspėjimų galima, susižaloti arba sugadinti prietaisą. Simboliai, jei jie yra nurodyti ant prietaiso, bus pateikti instrukcijoje šalia įspėjimų apie pavojų ar atsargumo priemones.

	Šis simbolis, jeigu juo pažymėtas įtaisas, reiškia, kad turite skaityti naudojimo vadovą ir (arba) saugos informaciją.
	Šiuo simboliu pažymėto elektros įrenginio negalima išmesti viešose atliekų išmetimo vietose Europoje nuo 2005 m. rugpjūčio 12 d. Pagal Europos vietinius ir nacionalinius teisės aktus (ES direktyva 2002/98/EB) Europos elektros įrenginių naudotojai privalo grąžinti pasenusius ar neveikiančius įrenginius gamintojui, kad nemokamai sunaikintų. <b>Pastaba:</b> Norėdami grąžinti perdirbti, kreipkitės į įrangos gamintoją arba tiekėją, kuris nurodys, kaip tinkamai utilizacijai grąžinti pasibaigusios eksploatacinės trukmės įrangą, gamintojo pateiktus elektrinius priedus ir visus papildomus elementus.

### Gaminio apžvalga

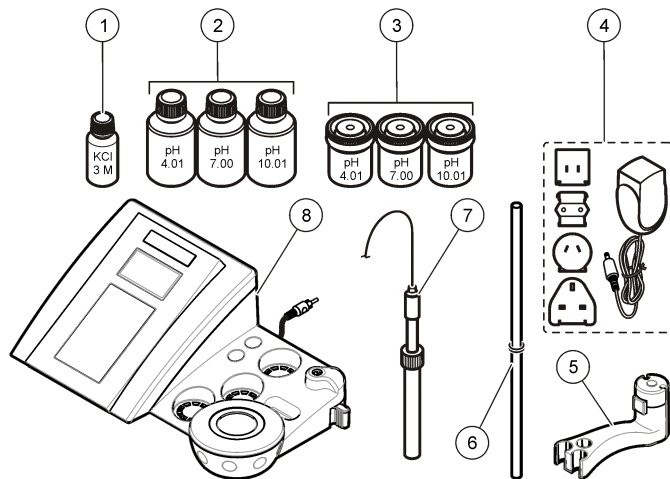
„sensION™+“ matuokliai yra naudojami su zondais įvairiems vandens parametrams matuoti.

„sensION™+ MM340“ matuoklis turi du matavimo kanalus, skirtus matuoti pH, ORP (mV) arba ISE (koncentraciją) su selektyviu zondų. Matavimo duomenys gali būti saugomi ir persiunčiami į spausdintuvą arba kompiuterį.

### Gaminio sudedamosios dalys

Jei norite įsitikinti, kad gavote visas sudedamąsias dalis, žr. **Paveikslėlis 1**. Aptikę, kad dalių trūksta ar jos yra apgadintos, nedelsdami susisiekite su gamintoju ar prekybos atstovu.

#### Paveikslėlis 1 Matavimo prietaiso sudedamosios dalys

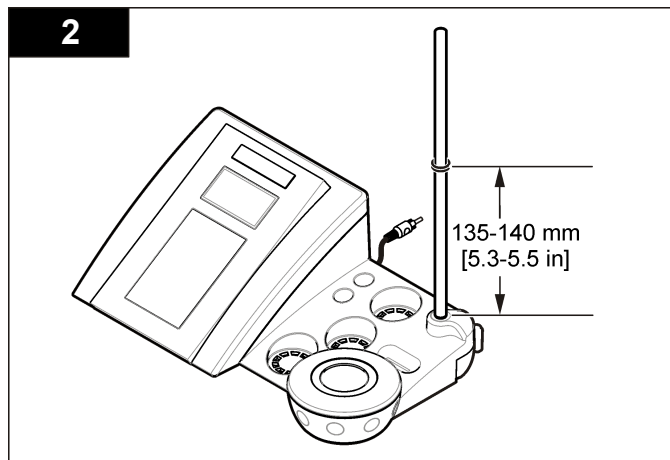
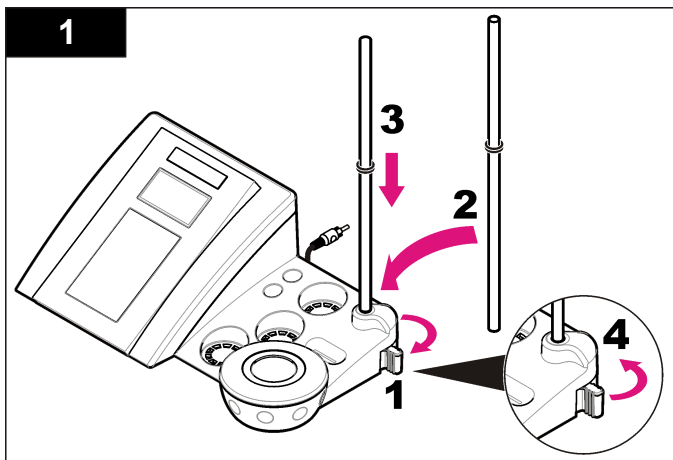


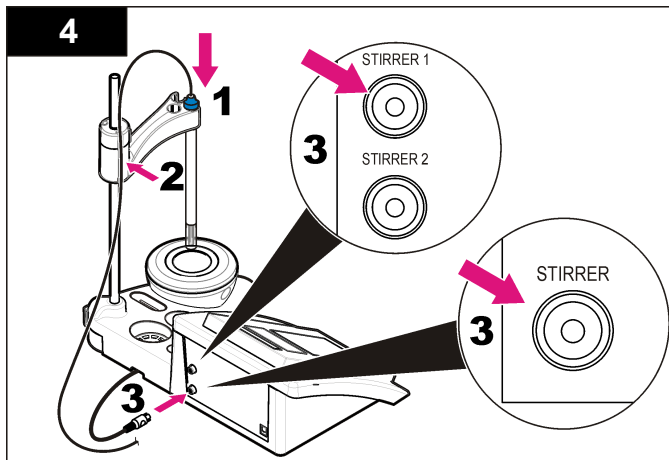
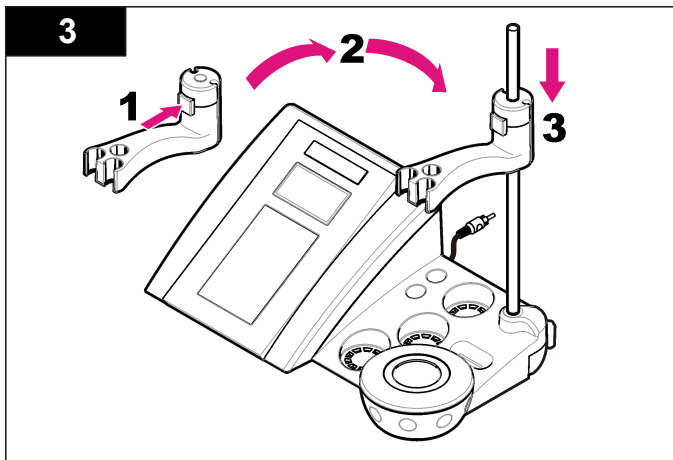
1 Zondui skirtas elektrolitas	5 Zondo laikiklis
2 Buferiniai tirpalai (pH 4,01, pH 7,00 ir pH 10,01)	6 Strypelis su sandarinimo žiedu
3 Kalibravimo menzūros (su magnetine juostele viduje)	7 Zondas (pridedamas tik su rinkiniais)
4 Maitinimo šaltinis	8 Matavimo prietaisas

## Įmontavimas

### Zondo laikiklio surinkimas

Vykdydami sunumeruotus veiksmus surinkite zondo laikiklį ir prijunkite magnetinį maišytuvą.





## Prijunkite prie kintamosios srovės (AC) maitinimo šaltinio

### ⚠ PAVOJUS

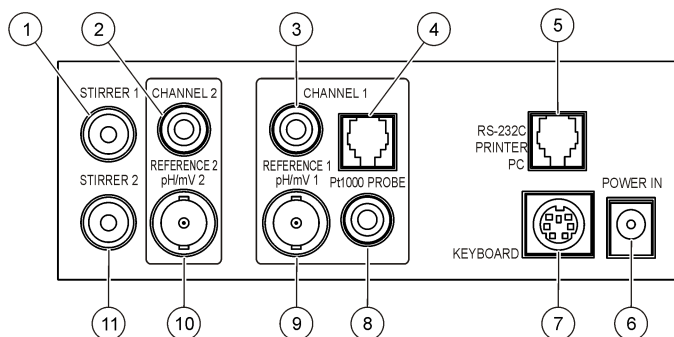


Mirtino elektros smūgio pavojus. Jei šis prietaisas yra naudojamas lauke arba drėgnoje vietoje, jungiant jį prie maitinimo šaltinio būtina naudoti nuotėkio relę.

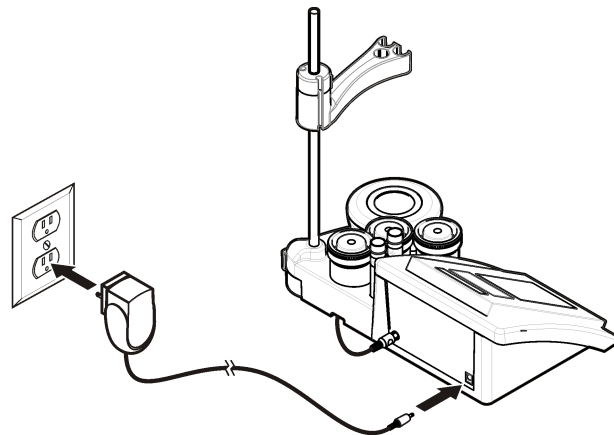
Matavimo prietaisą galima jungti prie AC maitinimo šaltinio naudojant universalųjį maitinimo srovės adapterį.

1. Iš adapterių rinkinio pasirinkite tinkamą adapterio kištuką elektros tinklo kištukiniam lizdui.
2. Prijunkite universalųjį maitinimo srovės adapterį prie matavimo prietaiso ([Paveikslėlis 2](#)).
3. Įjunkite universalųjį maitinimo srovės adapterį į AC kištukinį lizdą ([Paveikslėlis 3](#)).
4. Įjunkite matavimo prietaisą.

**Paveikslėlis 2 Jungčių blokas**



**Paveikslėlis 3 Jungimas prie AC maitinimo šaltinio**

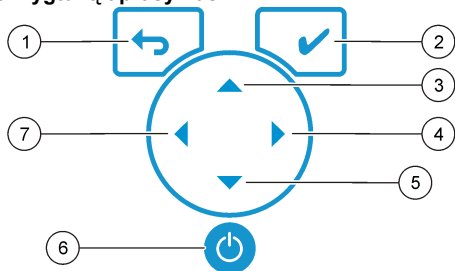


<b>1</b> Magnetinio maišiklio 1 jungtis, 1 kanalas	<b>7</b> Kompiuterio klaviatūros, „mini DIN“ jungtis
<b>2</b> Referentinio elektrodo (atskirtų elektrodų) jungtis, 1 kanalas	<b>8</b> Temperatūros zondo jungtis, 2 kanalas
<b>3</b> Referentinio elektrodo (atskirtų elektrodų) jungtis, 2 kanalas	<b>9</b> Kombinuotoji pH elektrodo (arba indikatoriaus) jungtis, 2 kanalas
<b>4</b> Atskirto temperatūros zondo jungtis, 2 kanalas	<b>10</b> Kombinuotoji pH elektrodo (arba indikatoriaus) jungtis, 1 kanalas
<b>5</b> RS-232 spausdintuvo arba kompiuterio jungtis	<b>11</b> Magnetinio maišiklio 2 jungtis, 2 kanalas
<b>6</b> Maitinimo šaltinis	

# Naudotojo sąsaja ir naršymas

## Naudotojo sąsaja

### Klaviatūros mygtukų aprašymas

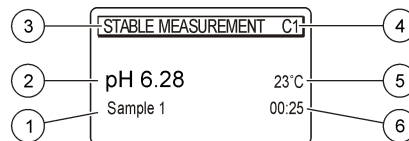


1 GRĮŽIMO klavišas: juo atšaukiama arba išeinama iš esamo meniu lango į ankstesnį	5 Klavišas ŽEMYN: juo pereinama prie kitos parinkties, keičiama vertė
2 MATAVIMO klavišas: juo patvirtinama pasirinkta parinktis	6 ĮJUNGIMAS / IŠJUNGIMAS – matavimo prietaiso įjungimas / išjungimas
3 Klavišas AUKŠTYN: juo pereinama prie kitos parinkties, keičiama vertė	7 Klavišas KAIRĖN: juo keičiami 1 ir 2 kanalai, įvedami skaičiai ir raidės
4 Klavišas DEŠINĖN: juo keičiami 1 ir 2 kanalai, įvedami skaičiai ir raidės	

### Ekranų aprašymas

Matavimo prietaiso ekrane rodoma koncentracija, vienetai, temperatūra, kalibravimo būsena, operatoriaus ID, mėginio ID, data ir laikas.

### Paveikslėlis 4 Vienas langas per visą ekraną



1 Mėginio ID	4 Mėginio temperatūra (°C arba °F)
2 Matavimo vienetai ir vertė (pH, ORP (mV) arba ISE)	5 Matomas matavimo laikmetis
3 Matavimo režimas arba laikas ir data	

### Naršymas

Paspaudę grįšite į ankstesnį meniu. Matavimo klavišu galite atlikti mėginio matavimą arba patvirtinti parinktis. Rodyklių klavišais galite pereiti prie kitų parinkčių arba pakeisti vertę. Norėdami pakeisti parametrus naudokite rodyklių klavišus ir . Žiūrėkite konkrečias kiekvienos užduoties instrukcijas.

### Paleidimas

### Matavimo prietaisą įjunkite, tuomet išjunkite

#### PASTABA

Prieš įjungdami matuoklį įsitikinkite, kad zondas yra prijungtas prie matuoklio.

Paspauskite norėdami įjungti arba išjungti matuoklį. Jei matavimo prietaisas neįsijungia, patikrinkite, ar AC maitinimo šaltinis yra gerai įjungtas į kištukinį lizdą.



## Kalbos keitimas

Ekrane rodoma kalba yra pasirenkama pirmą kartą įjungus matavimo prietaisą.

1. Klavišais ▲ arba ▼ pasirinkite kalbą iš sąrašo.
2. Patvirtinkite paspausdami ✓. Matavimo lange rodoma DATA OUTPUT (duomenų išvestis).
3. Pasirinkite „Deactivated“ (deaktyvinta), jeigu neprijungtas spausdintuvas arba kompiuteris, ir patvirtinkite. Daugiau informacijos apie duomenų išvestį rasite [Pasirinkite duomenų išvedimo įrenginį](#) Puslapyje 279.

## Įprastas naudojimas

### Kalibravimas

#### ▲ ĮSPĖJIMAS

Sąlyčio su cheminėmis medžiagomis pavojus. Vykdykite laboratorijos saugos procedūras ir dėvėkite visas asmeninės saugos priemones, tinkančias naudojamiems chemikalams. Saugos protokolai nurodyti galiojančiuose medžiagų saugos duomenų lapuose (MSDL).

### Kalibravimas nuostatos

Kalibravimo nuostatas sudaro kalibravimo tipas, dažnumas ir ekrano parinktis.

1. Pagrindiniame meniu klavišais ▲ arba ▼ pasirinkite CALIBRATION (kalibravimas). Patvirtinkite.
2. Klavišu ▲ pasirinkite kalibravimo meniu.
3. Klavišais ▲ arba ▼ pasirinkite šias parinktis:

Parinktis	Aprašymas
<b>Stability C. (stabilumo kriterijus):</b>	Stabilumo kriterijus – pasirinkite „Fast“ (greitas), „Standard“ (standartinis) arba „Strict“ (griežtas).

Parinktis	Aprašymas
<b>Calibration type (kalibravimo tipas)</b>	Kalibravimo tipas – pasirinkite „Technical buffers“ (techniniai buferiai), „DIN19266 Buffers“ (DIN19266 buferiai), „User Buffers“ (naudotojo buferiai), „To X value“ (pagal X vertę), „Data introduction“ (duomenų įvedimas) arba „Theoretical calibration“ (teorinis kalibravimas). Daugiau informacijos rasite <a href="#">Calibration types</a> .
<b>Cal. frequency (kalibravimo dažnumas)</b>	Kalibravimo priminimas – gali būti nustatytas nuo 0 iki 7 dienų (numatytas kasdien). Ekrane rodomas iki naujo kalibravimo likęs laikas. Daugiau informacijos rasite <a href="#">Kalibravimo priminimo nustatymas</a> Puslapyje 278.
<b>Display mV (mV rodymas)</b>	mV rodymas – pasirenkama YES (taip) arba NO (ne) mV rodyti.
<b>Standard 220 mV (standartinis 220 mV)</b>	Standartinis 220 mV – kalibruojama su 220 mV standartiniu tirpalu
<b>To a X value (pagal X vertę)</b>	Pagal X vertę – naudojamas konkretus standartinis tirpalas. Vertė reguliuojama kalibruojant.
<b>Data introduction (duomenų įvedimas)</b>	Kompensavimas įvedant duomenis – įvedama kompensavimo vertė
<b>Factory adjust (nustatyta gamykloje)</b>	Nustatyta gamykloje – įvedama kompensavimo vertė

### Kalibravimo tipai

Galima pasirinkti įvairius kalibravimo tipus.

1. Pagrindiniame meniu klavišais ▲ arba ▼ pasirinkite CALIBRATION (kalibravimas). Patvirtinkite.
2. Klavišu ▲ pasirinkite kalibravimo meniu.
3. Klavišais ▲ arba ▼ pasirinkite „Calibration type“ (kalibravimo tipas).

Parinktis	Aprašymas
<b>Technical buffers (techniniai buferiai)</b>	pH 2,00, 4,01, 7,00, 9,21 ir 10,01 esant 25 °C (77 °F) temperatūrai

Parinktis	Aprašymas
<b>DIN19266 Buffers</b> (DIN19266 buferiai)	pH 1,679, 4,006, 6,865, 7,000, 9,180, 10,012 ir 12,454
<b>User Buffers (naudotojo buferiai)</b>	Pasirenkama, kai nenaudojami techniniai arba DIN19266 buferiai. Žiūrėkite <a href="#">Techniniai buferiniai tirpalai (DIN 19267)</a> Puslapyje 287, norėdami rasti konkrečių buferinių tirpalų rinkinių pH vertes įvairiose temperatūrose.
<b>Calibration to a X value (kalibravimas pagal X vertę)</b>	Skirtas rankiniu būdu nustatyti bet kokią pamatuoto pH mastelio reikšmę.
<b>Data introduction (duomenų įvedimas)</b>	Rankinis zondo konstantos įvedimas.
<b>Theoretical calibration (teorinis kalibravimas)</b>	Zondo kalibravimo duomenys yra pakeičiami esant 25 °C (77 °F) temperatūrai.

## Kalibravimo procedūra

Ši procedūra atliekama įprastai naudojant skysčių kalibravimo tirpalus. Papildomos informacijos rasite dokumentuose, kurie yra pridėti su kiekvienu zonu.

**Pastaba:** Tirpalai kalibruojant turi būti sumaišyti. Daugiau informacijos apie maišymo nuostatas rasite [Maišymo nuostatų keitimas](#) Puslapyje 281.

1. Supilkite buferinius arba kalibravimo tirpalus į pažymėtas kalibravimo menzūras.
2. Pagrindiniame meniu klavišais ▲ arba ▼, ◀ ir ▶ pasirinkite parametą CALIBRATION (kalibravimas). Patvirtinkite.
3. Jeigu reikia, pasirinkite operatoriaus ID (nuo 1 iki 10) ir patvirtinkite.
4. Praskalaukite zondą dejonizuotu vandeniu ir įdėkite jį į pirmąjį kalibravimo menzūrą. Įsitinkite, kad ant membranos nėra oro burbulų.
5. Paspauskite ✓ norėdami pradėti kalibravimą.
6. Paspauskite ✓ norėdami matuoti pirmąjį kalibravimo tirpalą. Parodytas kitas kalibravimo tirpalas.

7. Praskalaukite zondą dejonizuotu vandeniu ir įdėkite jį į antrąjį kalibravimo mėgintuvėlį. Įsitinkite, kad ant membranos nėra oro burbulų.
8. Paspauskite ✓ norėdami matuoti antrąjį kalibravimo tirpalą. Parodytas kitas kalibravimo tirpalas.
9. Praskalaukite zondą dejonizuotu vandeniu ir įdėkite jį į trečiąjį kalibravimo mėgintuvėlį. Įsitinkite, kad ant membranos nėra oro burbulų.
10. Paspauskite ✓ norėdami matuoti trečiąjį kalibravimo tirpalą. Kai kalibravimas yra geras, ekrane trumpai parodoma „Calibration OK“ (kalibravimas geras), tada grįžtama į pagrindinį meniu. **Pastaba:** Kai prijungtas spausdintuvas, atsidaro spausdinimo meniu, ir galima atspausdinti rezultatą.

## Kalibravimo duomenų peržiūra

Gali būti rodomi naujausi kalibravimo duomenys.

1. Pagrindiniame meniu klavišais ▲ arba ▼ pasirinkite DATA LOGGER(duomenų registravimo įtaisas). Patvirtinkite.
2. Pasirinkite „Display data“ (rodomi duomenys).
3. Pasirinkite „Calibration data“ (kalibravimo duomenys) ir patvirtinkite paspausdami ✓. Rodomi naujausi kalibravimo duomenys.
  - pH – nuolydžio ir poslinkio reikšmės rodomos pakaitomis su deviacija (%) ir kalibravimo temperatūra.
  - ORP – rodoma pamatuota mV vertė ir kalibravimo temperatūra.
  - Laidumas – rodoma kiekvieno standarto celės konstanta ir kalibravimo temperatūra.

## Kalibravimo priminimo nustatymas

Kalibravimo priminimą galima nustatyti nuo 0 iki 23 valandų arba nuo 1 iki 7 dienų (numatytasis 1 diena). Ekrane rodomas iki naujo kalibravimo likęs laikas.

**Pastaba:** Kai pasirinkta 0 dienų, kalibravimo priminimas yra išjungtas.

1. Pagrindiniame meniu klavišais ▲ arba ▼ pasirinkite CALIBRATION (kalibravimas). Patvirtinkite.
2. Klavišu ▲ pasirinkite kalibravimo meniu.

3. Klavišais ▲ arba ▼ pasirinkite „Cal. frequency (kalibravimo dažnumas) ir patvirtinkite.
4. Klavišais ◀ ir ▶ pereikite prie kito žingsnio, o ▲ arba ▼ keiskite vertę. Patvirtinkite. Paspauskite ✓, norėdami pradėti kalibravimą.

## Mėginių matavimai

Prieš matuojant mėginius su kiekvienu zondų tam tikra tvarka atliekami tam tikri paruošiamieji veiksmai.

1. Pagrindiniame meniu klavišais ▲ arba ▼, ◀ ir ▶ pasirinkite parametą MEASURE (matuoti). Patvirtinkite.
2. Klavišu ▲ galite keisti šias nuostatas. Patvirtinkite kiekvieną įrašą.

Parinktis	Aprašymas
<b>Resolution (raiška)</b>	Pasirinkite raišką: 1, 0,1, 0,01 (numatytoji) arba 0,001
<b>Measure (matuoti)</b>	Stabilumas – pasirinkite stabilumo kriterijų: „Fast“ (greitas) (kitimas < 0,02 pH per 6 s), „Standard“ (standartinis) (kitimas < 0,01 pH per 6 s) arba „Strict“ (griežtas) (kitimas < 0,002 pH per 6 s). Nuolatinis – įveskite nuolatinio nuskaitymo laiko intervalą. (duomenų saugojimas arba spausdinimas). Pagal laiką – įveskite duomenų saugojimo arba spausdinimo laiko intervalą.
<b>Display mV (mV rodymas)</b>	mV rodymas – pasirenkama YES (taip) arba NO (ne) mV rodyti.
<b>Ribojimai</b>	Ribojimai – pasirinkite YES (taip) arba NO (ne). YES (taip): įveskite viršutinę ir apatinę ribas. Kai matavimas neatitinka ribų, pasigirsta garsinis įspėjimas. Kai matavimas neatitinka ribų, pateikiamoje ataskaitoje šalia apskaičiuotos reikšmės rodoma A.
<b>Isopotential (izopotencialinis)</b>	Izopotencialinis – pakeiskite izopotencialinę pH vertę įvesdami duomenis. Pasirinkite „Calculate“ (skaičiuoti), norėdami kalibruoti zondą dar kartą.

3. Paspauskite ✓, norėdami pradėti matavimą.

*Pastaba: Jeigu matavimas nesistabilizuoja per 120 sekundžių, matuoklis automatiškai persijungia į nepertraukiamo matavimo režimą.*

## Papildomas naudojimas

### Matavimo vienetų keitimas

Matavimo vienetus galima keisti atskirai kiekvienam kanalui.

1. Pagrindiniame meniu klavišais ▲ arba ▼ pasirinkite SYSTEM (sistema). Patvirtinkite.
2. Klavišais ▲ arba ▼ pasirinkite „Measurement units“ (matavimo vienetai) ir patvirtinkite.
3. Pasirinkite 1 arba 2 kanalą ir patvirtinkite.
4. Pasirinkite ORP (mV), pH arba ISE ir patvirtinkite.

### Mėginio ID naudojimas

Mėginio ID žymė yra naudojama pateikiamiems duomenims su konkrečia mėginio ėmimo vieta susieti. Saugomi duomenys turės šį ID, jei jis bus tiems duomenims priskirtas.

1. Pagrindiniame meniu klavišais ▲ arba ▼ pasirinkite SYSTEM (sistema). Patvirtinkite.
2. Klavišais ▲ arba ▼ pasirinkite „Sample ID“ (mėginio ID) ir patvirtinkite.
3. Pasirinkite klavišais ▲ arba ▼

Parinktis	Aprašymas
<b>Automatic (automatinis)</b>	Iš eilės einantys numeriai bus automatiškai priskirti kiekvienam mėginiui.
<b>Manual (rankinis)</b>	Norint įvesti mėginio ID vardą prieš atliekant matavimą, reikalinga klaviatūra arba brūkšniinių kodų skaitytuvas (iki 15 simbolių).

### Pasirinkite duomenų išvedimo įrenginį

Duomenis galima saugoti arba persiųsti į spausdintuvą ar kompiuterį.

1. Pagrindiniame meniu klavišais ▲ arba ▼ pasirinkite SYSTEM (sistema). Patvirtinkite.
2. Klavišais ▲ arba ▼ pasirinkite „Data Output“ (duomenų išvestis) ir patvirtinkite.
3. Pasirinkite klavišais ▲ arba ▼

Parinktis	Aprašymas
<b>Deactivated (deaktyvinta)</b>	Pasirinkite „Deactivated“ (deaktyvinta), jeigu neprijungtas spausdintuvas arba kompiuteris, ir patvirtinkite.
<b>For Printer (spausdintuvui)</b>	Pasirinkite adatinį arba terminį spausdintuvą.
<b>For Computer (kompiuteriui)</b>	Pasirinkite „Terminal“, „LabCom“ arba „LabCom Easy“. „LabCom“ programinė įranga iš kompiuterio valdo keletą modulių, pH ir laidumo matuoklius, automatines biuretes, mėginių ėmimo priemonės ir t. t. „LabCom Easy“ programinė įranga gauna pH ir laidumo duomenis iš kompiuterio.

## Datos ir laiko keitimas

Data ir laiką galima keisti meniu „Date / Time“ (data / laikas).

1. Pagrindiniame meniu klavišais ▲ arba ▼ pasirinkite SYSTEM (sistema). Patvirtinkite.
2. Klavišais ▲ arba ▼ pasirinkite „Date / Time“ (data / laikas) ir patvirtinkite.
3. Klavišais ◀ ir ▶ pereikite prie kito žingsnio, o ▲ arba ▼ keiskite vertę. Patvirtinkite.  
Ekrane bus rodomi esama data ir laikas.

## Ekrano kontrasto reguliavimas

1. Iš pagrindinio meniu klavišais ▲ arba ▼ pasirinkite SYSTEM (sistema). Patvirtinkite.

2. Klavišais ▲ arba ▼ pasirinkite „Display contrast“ (ekrano kontrastingumas) ir patvirtinkite.
3. Klavišais ◀ ir ▶ pakoreguokite ekrano kontrastingumą ir patvirtinkite.

## Temperatūros reguliavimas

Temperatūros matavimą galima reguliuoti 25 °C (77 °F) ir (arba) 85 °C (185 °F) temperatūrose norint padidinti tikslumą.

1. Įdėkite zondą ir referentinį termometrą į indą su vandeniu, kurio temperatūra apytiksliai 25 °C, ir leiskite temperatūrai stabilizuotis.
2. Palyginkite matuoklio pateikiamą temperatūrą su referentinio termometro rodoma temperatūra. Skirtumas yra matuoklio koregavimo vertė.  
Pavyzdys: referentinis termometras: 24,5 °C; matuoklis: 24,3 °C. Koregavimo vertė: 0,2 °C.
3. Įveskite koregavimo vertę 25 °C temperatūrai:
  - a. Pagrindiniame meniu klavišais ▲ arba ▼ pasirinkite SYSTEM (sistema). Patvirtinkite.
  - b. Klavišais ▲ arba ▼ pasirinkite „Readjust temp“ (koreguoti temperatūrą) ir patvirtinkite.
  - c. Pasirinkite 1 arba 2 kanalą ir patvirtinkite. 1 kanalo temperatūrą matuoja laidumo celė, o 2 kanalo temperatūrą – pH zondas. Jeigu laidumo celė neprijungta, temperatūros vertę reikia įvesti rankiniu būdu arba matuokliui gali būti priskiriama 2 kanalo pamatuota temperatūra.
  - d. Klavišais ▲ arba ▼ pasirinkite 25 °C ir patvirtinkite.
  - e. Rodyklių klavišais įveskite koregavimo vertę 25 °C temperatūrai. Patvirtinkite.
4. Įdėkite zondą ir referentinį termometrą į indą su vandeniu, kurio temperatūra apytiksliai 85 °C, ir leiskite temperatūrai stabilizuotis.
5. Palyginkite matuoklio pateikiamą temperatūrą su referentinio termometro rodoma temperatūra. Skirtumas yra matuoklio koregavimo vertė.
  - a. Klavišais ▲ arba ▼ pasirinkite 85 °C ir patvirtinkite.
  - b. Rodyklių klavišais įveskite koregavimo vertę 85 °C temperatūrai. Patvirtinkite.

- c. Pasirinkite „Save changes“ (įrašyti pakeitimus) ir patvirtinkite.

## Maišymo nuostatų keitimas

Maišymo meniu galima įjungti magnetinį maišiklį ir keisti maišymo greitį.

1. Pagrindiniame meniu klavišais ▲ arba ▼ pasirinkite SYSTEM (sistema). Patvirtinkite.
2. Klavišais ▲ arba ▼ pasirinkite „Stirring“ (maišymas) ir patvirtinkite.
3. Norėdami įjungti arba išjungti maišiklį, paspauskite ✓.
4. Kai maišiklis įjungtas, klavišais ▲ arba ▼ keiskite maišymo greitį procentais.

**Pastaba:** Klavišais ▲ arba ▼ galite keisti maišymo greitį kalibruodami ir matuodami.

## Maišiklio įjungimas arba išjungimas

1 maišiklis veikia su 1 ir 2 kanalais (1 maišiklis). Antrą maišiklį galima prijungti prie 2 kanalo (2 maišiklis). Norėdami aktyvinti 2 maišiklį atlikite šiuos veiksmus.

1. Pagrindiniame meniu klavišais ▲ arba ▼ pasirinkite SYSTEM (sistema). Patvirtinkite paspausdami ✓.
2. Klavišais ▲ arba ▼ pasirinkite „Stirrer N.2“ (2 maišiklis) ir patvirtinkite paspausdami ✓.
3. Klavišais ▲ arba ▼ pasirinkite YES (taip), kad įjungtumėte 2 maišiklį.  
**Pastaba:** Pasirinkite NO (ne), jeigu norite išjungti 2 maišiklį.

## Temperatūros matavimo vienetų keitimas

Temperatūros matavimo vienetus galima pakeisti į Celsijaus arba Farenheito.

1. Pagrindiniame meniu klavišais ▲ arba ▼ pasirinkite SYSTEM (sistema). Patvirtinkite.
2. Klavišais ▲ arba ▼ pasirinkite „Temperature units“ (temperatūros matavimo vienetai) ir patvirtinkite.
3. Klavišais ▲ arba ▼ pasirinkite „Celsius“ (Celsijaus) arba „Fahrenheit“ (Farenheito) ir patvirtinkite.

## Duomenų registravimo įtaisas

### Rodomi duomenys

Rodomų duomenų žurnale yra matavimo duomenys, elektrodo ataskaita ir kalibravimo duomenys. Įrašytus duomenis galima siųsti į spausdintuvą arba kompiuterį. Kai visas duomenų žurnalas užpildomas (400 rodmenų), seniausias rodmuo yra ištrinamas ir pridamas naujas.

1. Klavišais ◀ ir ▶ pasirinkite 1 arba 2 kanalą ir patvirtinkite.
2. Pagrindiniame meniu klavišais ▲ arba ▼ pasirinkite SYSTEM (sistema). Patvirtinkite.
3. Klavišais ▲ arba ▼ pasirinkite DATA LOGGER (duomenų registravimo įtaisas) ir patvirtinkite.
4. Klavišais ▲ arba ▼ pasirinkite „Display data“ (rodomi duomenys) ir patvirtinkite.
5. Pasirinkite klavišais ▲ arba ▼

Parinktis	Aprašymas
<b>Measurement data (matavimo duomenys)</b>	Matavimo duomenys – automatiškai įrašomi kaskart, kai pamatuojamas mėginys
<b>Electrode report (elektrodo ataskaita)</b>	Elektrodo ataskaita – automatiškai įrašo elektrodo istoriją ir matavimo sąlygas
<b>Calibration data (kalibravimo duomenys)</b>	Kalibravimo duomenys – automatiškai įrašo esamą kalibravimą

### Duomenų naikinimas

Visus matavimo duomenis arba elektrodo ataskaitos žurnalą galima panaikinti, pašalinant į spausdintuvą arba kompiuterį jau nusiųstus duomenis.

1. Pagrindiniame meniu klavišais ▲ arba ▼ pasirinkite SYSTEM (sistema). Patvirtinkite.
2. Klavišais ▲ arba ▼ pasirinkite DATA LOGGER (duomenų registravimo įtaisas) ir patvirtinkite.
3. Klavišais ▲ arba ▼ pasirinkite „Trinti“ (trinti) ir patvirtinkite.

4. Klavišais ▲ arba ▼ pasirinkite „Measurement data“ (matavimo duomenys) arba „Electrode report“ (elektrodo ataskaita) ir patvirtinkite. Patvirtinkite dar kartą, norėdami panaikinti duomenis. Visas žurnalas bus panaikintas vienu metu.

## Siųskite duomenis į spausdintuvą arba kompiuterį

### PASTABA

Pirmiausia reikia pasirinkti duomenų išvedimo įrenginį (spausdintuvą arba kompiuterį), kad būtų galima naudoti spausdinimo meniu (žiūrėkite [Pasirinkite duomenų išvedimo įrenginį](#) Puslapyje 279).

**Pastaba:** Norėdami naudoti ataskaitos išvesties tipo meniu, žiūrėkite [Ataskaitos išvestis](#) Puslapyje 282.

1. Pagrindiniame meniu klavišais ▲ arba ▼ pasirinkite SYSTEM (sistema). Patvirtinkite.
2. Klavišais ▲ arba ▼ pasirinkite DATA LOGGER (duomenų registravimo įtaisas) ir patvirtinkite.
3. Klavišais ▲ arba ▼ pasirinkite „Print“ (spausdinti) ir patvirtinkite. Pasirinkite vieną iš šių parinkčių ir patvirtinkite klavišu ✓, kad būtų galima spausdinti duomenis: matavimo duomenis, elektrodo duomenis, kalibravimo duomenis, kalibravimo ataskaitą arba prietaiso nustat.

## Ataskaitos išvestis

### PASTABA

Pirmiausia reikia pasirinkti duomenų išvedimo įrenginį (spausdintuvą arba kompiuterį), kad būtų galima naudoti ataskaitos tipo meniu (žiūrėkite [Pasirinkite duomenų išvedimo įrenginį](#) Puslapyje 279).

Kai prijungtas spausdintuvas arba kompiuteris, galima pasirinkti įvairius ataskaitos išvesties tipus.

1. Pagrindiniame meniu klavišais ▲ arba ▼ pasirinkite SYSTEM (sistema). Patvirtinkite.
2. Klavišais ▲ arba ▼ pasirinkite „Type of report“ (ataskaitos tipas) ir patvirtinkite.

3. Kai prijungtas spausdintuvas arba kompiuteris ir terminalas, pasirinkite klavišais ▲ arba ▼

Parinktis	Aprašymas
<b>Reduced (sumažinta)</b>	Kaip išvesties formatą pasirinkite keletą mėginių arba vieną
<b>Standard (standartinis)</b>	Kaip išvesties formatą pasirinkite keletą mėginių arba vieną. Select several (pasirinkti keletą): <b>Users</b> (naudotojai): naudotojo vardas bus atspausdintas ataskaitoje (17 simbolių). <b>Header</b> (antraštė): įmonės pavadinimą galima nustatyti kaip antraštę (40 simbolių), ir jis bus atspausdintas ataskaitoje. <b>Identify sensor</b> (jutiklio identifikavimas): galima įvesti jutiklio modelį bei serijos numerį, ir jie bus atspausdinti ataskaitoje.
<b>GLP</b>	Kaip išvesties formatą pasirinkite keletą mėginių arba vieną. Select several (pasirinkti keletą): <b>Users</b> (naudotojai): naudotojo vardas bus atspausdintas ataskaitoje (17 simbolių). <b>Header</b> (antraštė): įmonės pavadinimą galima nustatyti kaip antraštę (40 simbolių), ir jis bus atspausdintas ataskaitoje. <b>Identify sensor</b> (jutiklio identifikavimas): galima įvesti jutiklio modelį bei serijos numerį, ir jie bus atspausdinti ataskaitoje.

4. Kai prijungtas kompiuteris ir pasirinkta „LabCom Easy“ (norėdami rasti daugiau informacijos, žiūrėkite [Pasirinkite duomenų išvedimo įrenginį](#) Puslapyje 279), pasirinkite klavišais ▲ arba ▼

Parinktis	Aprašymas
<b>Users (naudotojai)</b>	Naudotojo vardas bus atspausdintas ataskaitoje (17 simbolių).
<b>Identify sensor (jutiklio identifikavimas)</b>	Galima įvesti jutiklio modelį bei serijos numerį, ir jie bus atspausdinti ataskaitoje.

## Techninė priežiūra

### ⚠ ĮSPĖJIMAS

Įvairūs pavojai. Neardykite prietaiso norėdami atlikti jo techninę priežiūrą ar remontą. Jeigu vidinius komponentus reikia valyti arba remontuoti, kreipkitės į gamintoją.

## **⚠ ATSAUGIAI**

Pavojus susižeisti. Šiame instrukcijos skyriuje aprašytus veiksmus gali atlikti tik kvalifikuoti asmenys.

### **Prietaiso valymas**

#### **PASTABA**

Niekada naudokite tokių valymo medžiagų kaip terpentinas, acetonas arba panašių produktų prietaisui valyti, įskaitant ekraną ir priedus.

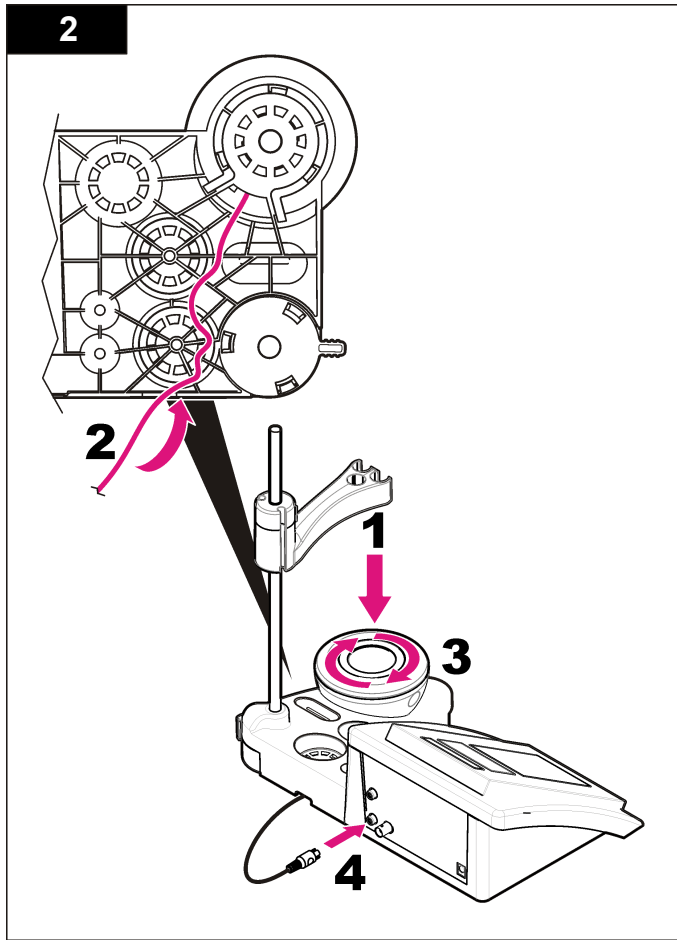
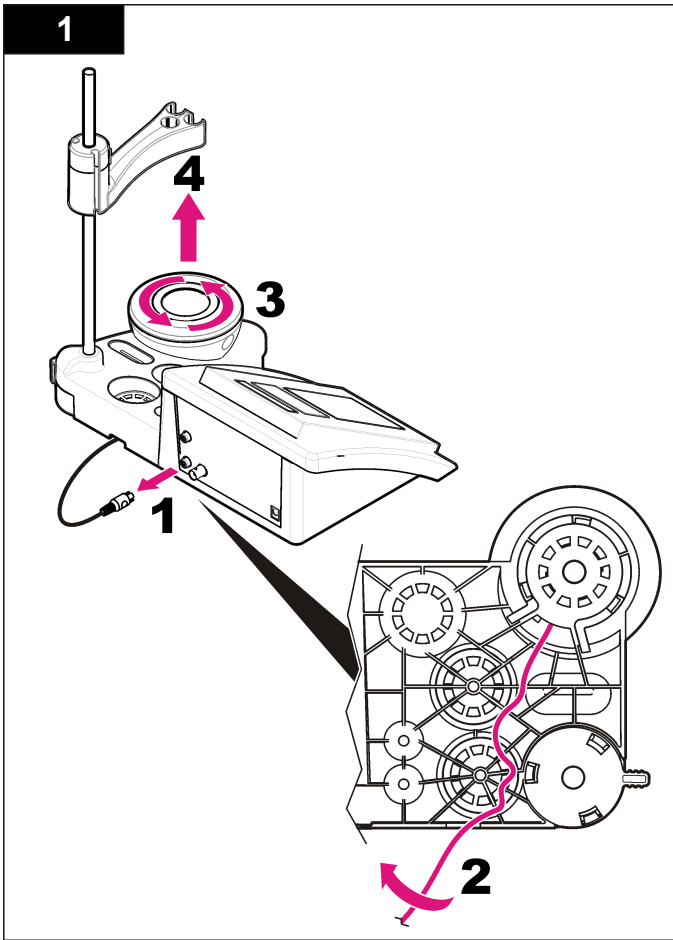
Valykite prietaiso paviršių drėgna medžiagos skiaute ir silpnu muilo tirpalu.

### **Zondo valymas**

Zondą valykite, kai reikia. Daugiau informacijos apie valymą rasite [Trikčių šalinimas](#) Puslapyje 285. Žiūrėkite zondo dokumentaciją norėdami rasti informacijos apie zondo priežiūrą.

### **Magnetinio maišiklio keitimas**

Jeigu magnetinis maišiklis nepaleidžiamas, vykdydami sunumeruotus veiksmus pakeiskite magnetinį maišiklį.





## Trikčių šalinimas

Informacijos apie dažnai pasitaikančių problemų pranešimus ar požymius, galimas jų priežastis ir ką reikia daryti, rasite toliau pateiktoje lentelėje.

**Lentelė 1 Kalibravimo įspėjimai ir klaidos**

Klaida / įspėjimas	Sprendimas
Asimetrija > 58 mV	Nuolydis neatitinka ribų (priimtinos vertės $\pm 58$ mV). Kalibruokite dar kartą. Prijunkite naują zondą.
Buferinis tirpalas arba elektrodas blogos būklės.	Patikrinkite zondą: nuvalykite zondą (žiūrėkite <a href="#">Zondo valymas</a> Puslapyje 283, norėdami rasti daugiau informacijos); įsitinkite, kad ant membranos nėra oro burbulų. Papurtykite zondą kaip termometrą; norėdami sužinoti, dėl ko kilo problema – dėl zondo ar matavimo prietaiso, prijunkite kitą zondą. Patikrinkite buferinį tirpalą: įsitinkite, kad naudojamas buferinis tirpalas atitinka konfigūracijoje nurodytą buferinį tirpalą; įsitinkite, kad temperatūra atitinka nurodytą konfigūracijoje; naudokite naują buferinį tirpalą.
BUFERINIS TIRPALAS NEATPAŽINTAS	Kalibruokite dar kartą.
Jautr. (a) < 70 %	Patikrinkite zondą: nuvalykite zondą (žiūrėkite <a href="#">Zondo valymas</a> Puslapyje 283, norėdami rasti daugiau informacijos); įsitinkite, kad ant membranos nėra oro burbulų. Papurtykite zondą kaip termometrą; norėdami sužinoti, dėl ko kilo problema – dėl zondo ar matavimo prietaiso, prijunkite kitą zondą. Patikrinkite buferinį tirpalą: įsitinkite, kad naudojamas buferinis tirpalas atitinka konfigūracijoje nurodytą buferinį tirpalą; įsitinkite, kad temperatūra atitinka nurodytą konfigūracijoje; naudokite naują buferinį tirpalą.

**Lentelė 1 Kalibravimo įspėjimai ir klaidos (tęsinys)**

Klaida / įspėjimas	Sprendimas
PATEIKIAMAI NEPASTOVYS DUOMENYS Laikas > 100 s	Kalibruokite dar kartą. Patikrinkite zondą: nuvalykite zondą (žiūrėkite <a href="#">Zondo valymas</a> Puslapyje 283, norėdami rasti daugiau informacijos); įsitinkite, kad ant membranos nėra oro burbulų. Papurtykite zondą kaip termometrą; norėdami sužinoti, dėl ko kilo problema – dėl zondo ar matavimo prietaiso, prijunkite kitą zondą. Įsitinkite, kad membrana ir diafragma yra tinkamai panardintos mėginyje.
Patikrinkite temperatūrą. Patikrinkite elektrodą.	Įsitinkite, kad temperatūra atitinka nurodytą konfigūracijoje. Patikrinkite zondą: nuvalykite zondą (žiūrėkite <a href="#">Zondo valymas</a> Puslapyje 283, norėdami rasti daugiau informacijos); įsitinkite, kad ant membranos nėra oro burbulų. Papurtykite zondą kaip termometrą; norėdami sužinoti, dėl ko kilo problema – dėl zondo ar matavimo prietaiso, prijunkite kitą zondą.
Elektrodas blogos būklės. Patikrinkite elektrodą.	Patikrinkite zondą: nuvalykite zondą (žiūrėkite <a href="#">Zondo valymas</a> Puslapyje 283, norėdami rasti daugiau informacijos); įsitinkite, kad ant membranos nėra oro burbulų. Papurtykite zondą kaip termometrą; norėdami sužinoti, dėl ko kilo problema – dėl zondo ar matavimo prietaiso, prijunkite kitą zondą.
VIENODI BUFERINIAI TIRPALAI	Kalibruokite dar kartą. Patikrinkite zondą: nuvalykite zondą (žiūrėkite <a href="#">Zondo valymas</a> Puslapyje 283, norėdami rasti daugiau informacijos); įsitinkite, kad ant membranos nėra oro burbulų. Papurtykite zondą kaip termometrą; norėdami sužinoti, dėl ko kilo problema – dėl zondo ar matavimo prietaiso, prijunkite kitą zondą. Patikrinkite buferinį tirpalą: naudokite naują buferinį tirpalą.

**Lentelė 2 Matavimo įspėjimai ir klaidos**

Klaida / įspėjimas	Sprendimas
pH 12,78 19 °C	Kalibruokite dar kartą.
pH neatitinka ribų	Patikrinkite zondą: nuvalykite zondą (žiūrėkite <b>Zondo valymas</b> Puslapyje 283, norėdami rasti daugiau informacijos); išitinkinkite, kad ant membranos nėra oro burbulų. Papurtykite zondą kaip termometrą; norėdami sužinoti, dėl ko kilo problema – dėl zondo ar matavimo prietaiso, prijunkite kitą zondą.
Temperatūra neatitinka ribų °C	Patikrinkite temperatūros jutiklį. Norėdami sužinoti, dėl ko kilo problema – dėl zondo ar matavimo prietaiso, prijunkite kitą zondą.
Laikas > 60 s	Išitinkinkite, kad membrana ir diafragma yra tinkamai panardintos mėginyje. Patikrinkite temperatūrą. Patikrinkite zondą: nuvalykite zondą (žiūrėkite <b>Zondo valymas</b> Puslapyje 283, norėdami rasti daugiau informacijos); išitinkinkite, kad ant membranos nėra oro burbulų. Papurtykite zondą kaip termometrą; norėdami sužinoti, dėl ko kilo problema – dėl zondo ar matavimo prietaiso, prijunkite kitą zondą.
Laikas > 150 s	
Laikas > 300 s	
10,389 mg/l >>>>> 00012 00:13	ISE matavimas: apskaičiuota reikšmė yra aukštesnė už aukščiausią kalibruojant naudojamą standartą. Matuokite dar kartą.
0,886 mg/l <<<<<< 00018 00:11	ISE matavimas: apskaičiuota reikšmė yra žemesnė už žemiausią kalibruojant naudojamą standartą. Matuokite dar kartą.

## Atsarginės dalys ir priedai

**Pastaba:** Kai kuriuose pardavimo regionuose gaminių ir prekių numeriai gali skirtis. Kreipkitės į atitinkamą pardavimo agentą arba apsilankykite bendrovės tinklalapyje, kur rasite informaciją apie asmenis, į kuriuos galite kreiptis.

## Atsarginės dalys

Aprašymas	Eil. Nr.
„sensION+ PH3“ laboratorinis pH matuoklis su priedais, be zondo	LPV2000.98.0002
„sensION+ PH31“ laboratorinis pH matuoklis, GLP, su priedais, be zondo	LPV2100.98.0002
„sensION+ MM340“ laboratorinis pH ir jonų matuoklis, GLP, 2 kanalai, su priedais, be zondo	LPV2200.98.0002
„sensION+ EC7“ laboratorinis laidumo matuoklis, su priedais, be zondo	LPV3010.98.0002
„sensION+ EC71“ laboratorinis laidumo matuoklis, GLP, su priedais, be zondo	LPV3110.98.0002
„sensION+ MM374“, 2 kanalų laboratorinis matuoklis, GLP, priedai, be zondų	LPV4110.98.0002

## Vartojimo reikmenys

Aprašymas	Eil. Nr.
pH buferinis tirpalas 4,01, 125 ml	LZW9460.99
pH buferinis tirpalas 7,00, 125 ml	LZW9461.98
pH buferinis tirpalas 10,01, 125 ml	LZW9470.99
pH buferinis tirpalas 4,01, 250 ml	LZW9463.99
pH buferinis tirpalas 7,00, 250 ml	LZW9464.98
pH buferinis tirpalas 10,01, 250 ml	LZW9471.99
pH buferinis tirpalas 4,01, 1000 ml	LZW9466.99
pH buferinis tirpalas 7,00, 1000 ml	LZW9467.98
pH buferinis tirpalas 10,01, 1000 ml	LZW9472.99
Elektrolito tirpalas (KCl 3M), 125 ml	LZW9510.99
Elektrolito tirpalas (KCl 3M), 250 ml	LZW9500.99

## Atsarginės dalys ir priedai (tęsinys)

Aprašymas	Eil. Nr.
Elektrolito tirpalas (KCl 3M), 50 ml	LZW9509.99
Elektrolito tirpalas 0,1 M, 125 ml	LZW9901.99
Fermentų tirpalas	2964349
Pepsino valomasis tirpalas	2964349
Elektrodų valomasis tirpalas	2965249
0,1 N HCl tirpalas	1481253

## Priedai

Aprašymas	Eil. Nr.
Terminis spausdintuvas, RS232, skirtas staliniam „sensION+“	LZW8201.99
Terminis popierius spausdintuvui LZW8201, pakuotė su 5 ritinėliais	LZW9117.99
Adatinis spausdintuvas, RS232, skirtas „sensION+“ prietaisams	LZW8200.99
Terminis popierius spausdintuvui LZW8200, pakuotė su 10 ritinėlių	LZW9000.99
Juostelė spausdintuvui LZW8200, 3 vienetai	LZW9001.99
„LabCom Easy PC SW“, skirtas „sensION+“ GLP, CD, laidas, USB adapteris	LZW8997.99
„LabCom PC SW“, skirtas „sensION+“ GLP, CD, laidas, USB adapteris	LZW8999.99
RS232 laidas, skirtas „sensION+“ staliniams prietaisams	LZW9135.99
RS232 laidas, skirtas staliniam „sensION+“, su USB adapteriu	LZW9135USB.99
Magnetinis maišiklis su jutiklio laikikliu, skirtas staliniam „sensION+ MM“	LZW9319.99

## Atsarginės dalys ir priedai (tęsinys)

Aprašymas	Eil. Nr.
3 x 50 ml atspausdintos menzūros, skirtos pH ant darbatalio kalibruoti	LZW9110.98
Trijų jutiklių laikiklis, skirtas „sensION+“ staliniams prietaisams	LZW9321.99
Laikiklis ir gnybtas, skirtas trimis jutikliams	LZW9155.99
„Pyrex“ stiklinė kamera, nuolatiniam srauto matavimui	LZW9118.99
PP apsauga, elektrodui laikyti	LZW9161.99

## Standartiniai tirpalai

### Techniniai buferiniai tirpalai (DIN 19267)

Žiūrėkite [Lentelę 3](#), ten pateiktos konkrečių buferinių tirpalų rinkinių pH ir ORP (mV) vertės įvairiose temperatūrose.

**Lentelė 3 pH, ORP (mV) ir temperatūros vertės**

Temperatūra		pH					mV
°C	°F						
0	32	2,01	4,01	7,12	9,52	10,30	—
10	50	2,01	4,00	7,06	9,38	10,17	245
20	68	2,00	4,00	7,02	9,26	10,06	228
<b>25</b>	<b>77</b>	<b>2,00</b>	<b>4,01</b>	<b>7,00</b>	<b>9,21</b>	<b>10,01</b>	<b>220</b>
30	86	2,00	4,01	6,99	9,16	9,96	212
40	104	2,00	4,03	6,97	9,06	9,88	195
50	122	2,00	4,06	6,97	8,99	9,82	178
60	140	2,00	4,10	6,98	8,93	9,76	160
70	158	2,01	4,16	7,00	8,88	—	—

**Lentelė 3 pH, ORP (mV) ir temperatūros vertės (tęsinys)**

Temperatūra		pH					mV
°C	°F						
80	176	2,01	4,22	7,04	8,83	—	—
90	194	2,01	4,30	7,09	8,79	—	—

**Buferiniai tirpalai (DIN 19266)**

Žiūrėkite [Lentelė 4](#), norėdami rasti konkrečių buferinių tirpalų rinkinių pH ir ORP (mV) vertes įvairiose temperatūrose.

**Lentelė 4 pH, ORP (mV) ir temperatūros vertės**

Temperatūra		pH					mV	
°C	°F							
5	32	1,668	4,004	6,951	7,087	9,395	10,245	13,207
10	50	1,670	4,000	6,923	7,059	9,332	10,179	13,003
20	68	1,675	4,001	6,881	7,016	9,225	10,062	12,627
<b>25</b>	<b>77</b>	<b>1,679</b>	<b>4,006</b>	<b>6,865</b>	<b>7,000</b>	<b>9,180</b>	<b>10,012</b>	<b>12,454</b>
30	86	1,683	4,012	6,853	6,987	9,139	9,966	12,289
40	104	1,694	4,031	6,838	6,970	9,068	9,889	11,984
50	122	1,707	4,057	6,833	6,964	9,011	9,828	11,705
60	140	1,723	4,085	6,836	6,968	8,962	—	11,449
70	158	1,743	4,126	6,845	6,982	8,921	—	—
80	176	1,766	4,164	6,859	7,004	8,885	—	—
90	194	1,792	4,205	6,877	7,034	8,850	—	—

## Технические характеристики

В технические характеристики могут быть внесены изменения без предварительного уведомления.

Характеристика	Данные
Габаритные размеры	35 x 20 x 11 см (13,78 x 7,87 x 4,33")
Масса	1100 г (2,43 фунта)
Корпус прибора	IP 42
Потребляемая мощность (от внешнего источника)	100–240 В, 0,4 А, 47-63 Гц
Класс защиты прибора	II класс защиты
Температура хранения	от –15 до 65 °С (от 5 до 149 °F)
Диапазон рабочих температур	0 - 40 °С (41 - 104 °F)
Рабочая влажность	< 80% (без конденсации)
Решение	pH: 0,1/0,01/0,001, ОВП: 0,1/1 мВ, ISE (ионоселективный электрод): программируемое, температура: 0,1 °С (0,18 °F)
Погрешность измерения (± 1 цифра)	pH: ≤ 0,002, ОВП: ≤ 0,2 мВ, температура: ≤ 0,2 °С (≤ 0,36 °F)
Воспроизводимость (± 1 цифра)	pH: ± 0,001, ОВП: ± 0,1 мВ, температура: ± 0,1 °С (± 0,18 °F)
Сохранение данных	330 результатов и 9 последних калибровок
Соединения	2 комбинированных датчика или индикатора: разъем BNC (Имп. >10 <sup>12</sup> Ом); 2 электрода сравнения: разъем с подпружиненными контактами; А.Т.С. типа Pt 1000: разъем с подпружиненными контактами или телефонный разъем; магнитная мешалка: разъем RCA; 2 магнитные мешалки: разъем RCA

Характеристика	Данные
Температурная поправка	Ручной, датчик температуры Pt 1000 (А.Т.С.), изопотенциальный программируемый pH, стандартное значение 7,00
Фиксация измерений на дисплее	Непрерывное измерение, по стабильности
Экран	ЖК с подсветкой, 128 x 64 точек
Клавиатура	PET с защитной обработкой
Сертификаты	Сбр.

## Общая информация

Все обновления можно найти на веб-сайте производителя.

## Указания по безопасности

### УВЕДОМЛЕНИЕ

Изготовитель не несет ответственности за любые повреждения, вызванные неправильным применением или использованием изделия, включая, без ограничения, прямой, неумышленный или косвенный ущерб, и снимает с себя ответственность за подобные повреждения в максимальной степени, допускаемой действующим законодательством. Пользователь несет исключительную ответственность за выявление критических рисков в работе и установкой соответствующих механизмов для защиты обследуемой среды в ходе возможных неполадок оборудования.

Внимательно прочтите все руководство пользователя, прежде чем распаковывать, устанавливать или вводить в эксплуатацию оборудование. Соблюдайте все указания и предупреждения относительно безопасности. Их несоблюдение может привести к серьезной травме обслуживающего персонала или выходу из строя оборудования.

Чтобы гарантировать, что обеспечиваемая оборудованием защита не нарушена, не используйте или не устанавливайте данное оборудование никаким иным способом, кроме указанного в данном руководстве.

## Информация о потенциальных опасностях

### ▲ ОПАСНОСТЬ

Указывает на потенциальные или непосредственно опасные ситуации, которые при нарушении могут привести к серьезным травмам или смерти.

### ▲ ПРЕДУПРЕЖДЕНИЕ

Указывает на потенциальные или непосредственно опасные ситуации, которые при нарушении могут привести к серьезным травмам или смерти.

### ▲ ОСТОРОЖНО



Указывает на потенциально опасную ситуацию, которая может привести к травмам малой и средней тяжести.

### УВЕДОМЛЕНИЕ

Указывает на ситуацию, которая, если ее не избежать, может привести к повреждению оборудования. Информация, на которую следует обратить особое внимание.

## Предупредительные надписи

Прочтите все таблички на корпусе прибора. При их несоблюдении возникает опасность телесных повреждений или повреждений прибора. Нанесенный на корпус прибора предупредительный символ вместе с предостережением об опасности или осторожности будет включен в руководство пользователя.

	Данный символ, если нанесен на прибор, требует обращения к руководству по эксплуатации за информацией об эксплуатации и/или безопасности.
	Начиная с 12 августа 2005 г., электрооборудование, отмеченное данным знаком, не может быть утилизировано в системах обработки обычных городских отходов в странах Европы. Согласно действующим местным и национальным положениям (Директива ЕС 2002/98/ЕС), пользователи стран Европейского Союза обязаны возвращать старые или отслужившие свой срок электроприборы производителю для их утилизации, не неся при этом никаких расходов. <i>Примечание: По вопросу возврата приборов для утилизации просим связаться с их производителем либо поставщиком и действовать согласно полученным указаниям в плане возврата отслужившего свой ресурс оборудования, поставленных производителем электрических и всех прочих вспомогательный принадлежностей для их надлежащей утилизации.</i>

## Основные сведения об изделии

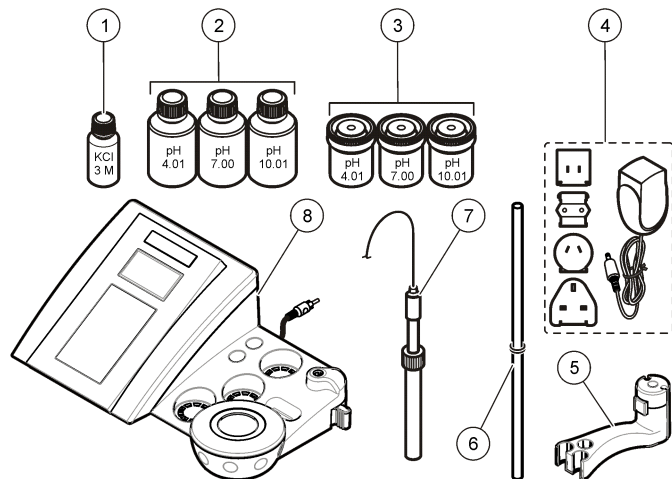
Измерительные приборы sensION™ + используются с датчиками для измерения различных параметров воды.

Прибор sensION™ + MM340 имеет два канала для измерения pH, ОВП (мВ) и ISE (концентрации) при помощи селективного датчика. Измеренные данные могут быть сохранены и переданы на принтер или компьютер.

## Комплектация прибора

См. [Рисунок 1](#), чтобы убедиться в наличии всех деталей. Если какой-либо элемент отсутствует либо поврежден, свяжитесь с изготовителем или торговым представителем.

**Рисунок 1 Комплектация прибора**

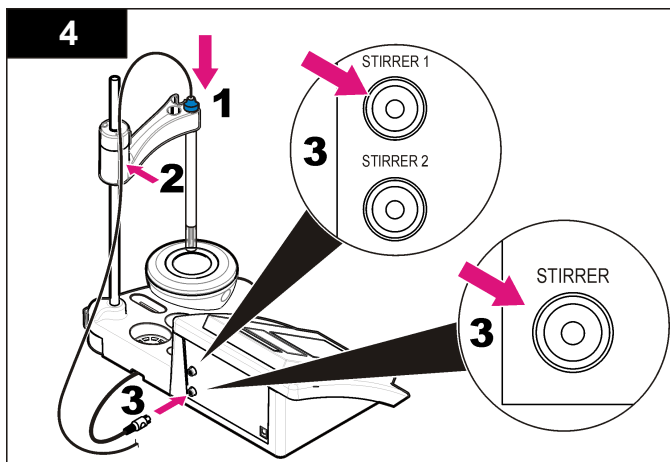
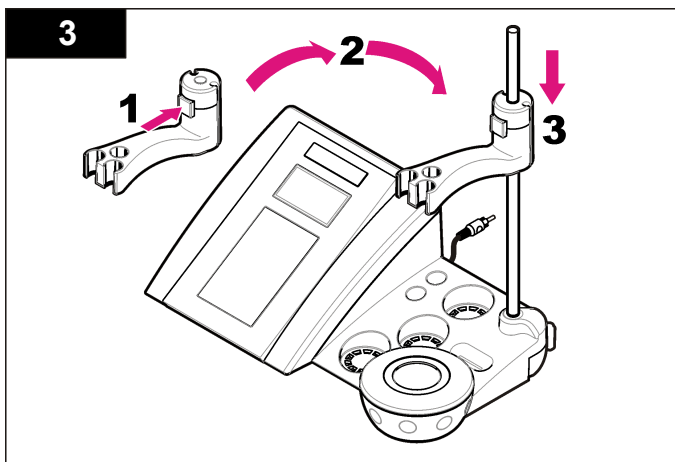
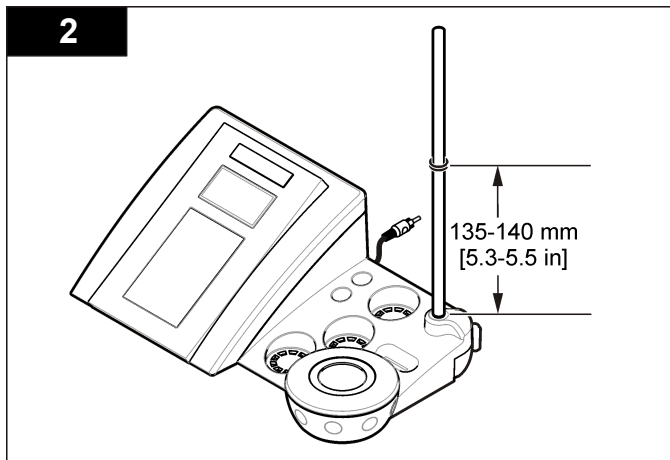
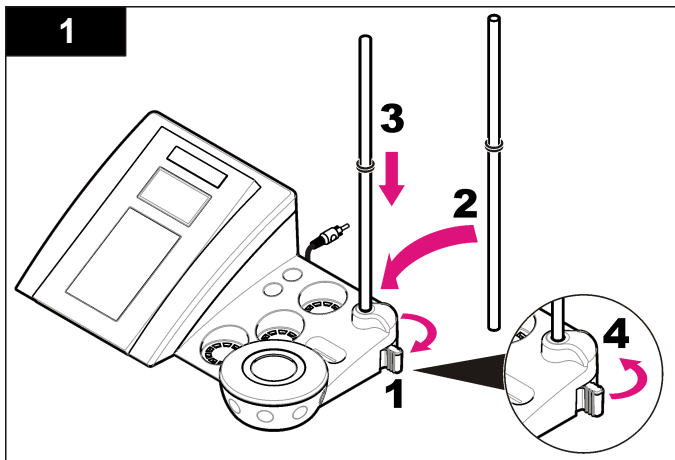


## Монтаж

### Установка держателя датчика

Выполните следующие действия для установки держателя датчика и подключения магнитной мешалки.


1 Электролит для датчиков	5 Держатель датчика
2 Буферные растворы (pH 4,01, pH 7,00 и pH 10,01)	6 Стержень с кольцевым уплотнением
3 Калибровочные пробирки (с магнитной полоской внутри)	7 Датчик (входит только в комплекте)
4 Энергоснабжение	8 Прибор





## Подключение к сети переменного тока

**⚠ ОПАСНОСТЬ**

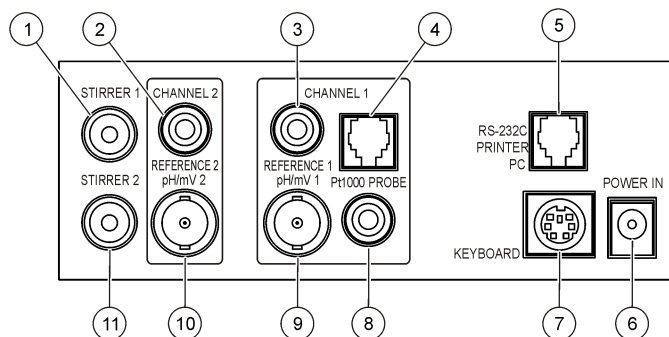


Опасность поражения электрическим током. При использовании прибора на открытом воздухе или в условиях возможной повышенной влажности необходимо для подключения устройства к электросети использовать устройства размыкания цепи при замыкании на землю.

Питание прибора может осуществляться от сети переменного тока через универсальный сетевой адаптер.

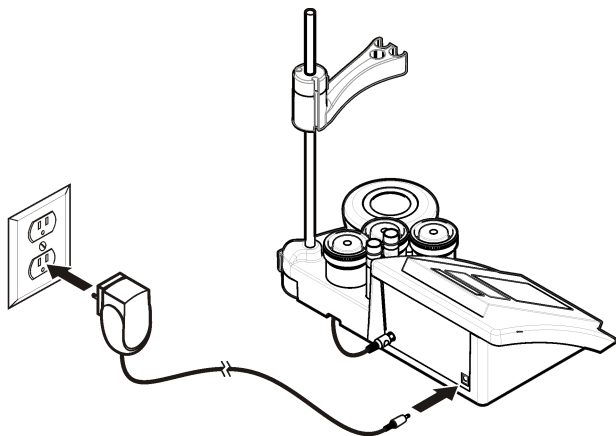
1. Выберите из комплекта адаптера подходящий разъем для электрической розетки.
2. Подключите универсальный сетевой адаптер к прибору (Рисунок 2).
3. Подключите универсальный сетевой адаптер к электрической розетке (Рисунок 3).
4. Включите прибор.

Рисунок 2 Панель разъемов



1 Разъем магнитной мешалки 1, Канал 1	7 Клавиатура ПК, разъем мини-DIN
2 Разъем электрода сравнения (отдельные электроды), Канал 1	8 Разъем датчика температуры, Канал 2
3 Разъем электрода сравнения (отдельные электроды), Канал 2	9 Комбинированный разъем pH электрода (или индикатора), Канал 2
4 Отдельный разъем датчика температуры, Канал 2	10 Комбинированный разъем pH электрода (или индикатора), Канал 1
5 Разъем RS-232C для принтера или ПК	11 Разъем магнитной мешалки 2, Канал 2
6 Энергоснабжение	

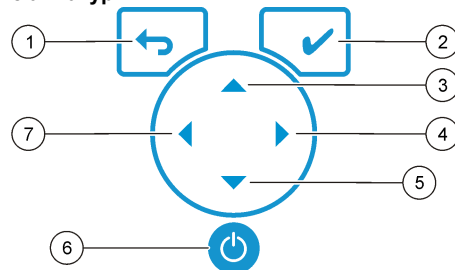
Рисунок 3 Подключение к сети переменного тока



## Пользовательский интерфейс и навигация

### Пользовательский интерфейс

#### Описание клавиатуры

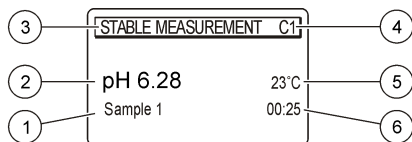


1 RETURN (Возврат): отмена или выход из текущего экрана меню с возвратом на предыдущий экран.	5 Кнопка "Вниз": прокрутка опций или изменение значений
2 Кнопка MEASUREMENT (ИЗМЕРЕНИЕ): подтверждение выбранной опции	6 ВКЛЮЧИТЬ/ВЫКЛЮЧИТЬ: для включения или выключения прибора
3 Кнопка "Вверх": прокрутка опций или изменение значений	7 ВЛЕВО: переход между каналами 1 и 2, ввод цифр и букв
4 ВПРАВО: переход между каналами 1 и 2, ввод цифр и букв	

#### Описание дисплея

На экран прибора выводятся концентрация, единицы измерения, температура, состояние калибровки, код оператора, код образца, дата и время.

Рисунок 4 Одноэкранный дисплей



1 Код образца	4 Температура образца (°C или °F)
2 Измеряемая величина и значение (pH, ОБП (mB) или ISE)	5 Таймер измерения
3 Режим измерения или дата и время	

## Управление

Чтобы вернуться к предыдущему меню, нажмите . При помощи клавиши измерения можно выполнить измерение пробы или подтвердить опцию. При помощи кнопок можно переходить к другим опциям или изменять соответствующие значения. Для изменения параметров используются кнопки и . К каждой задаче имеются более подробные указания.

## Запуск

### Включите прибор, а затем выключите

#### УВЕДОМЛЕНИЕ

Перед включением прибора убедитесь, что датчик подключен.

Нажмите кнопку для включения или выключения прибора. Если прибор не включается, убедитесь, что блок питания переменного тока правильно подключен к электрической розетке.

## Изменение языка

Язык экрана можно выбрать при первом включении прибора.

1. При помощи или выберите язык из списка.
2. Подтвердите выбор нажатием . На экране измерений выводится DATA OUTPUT (ВЫВОД ДАННЫХ).
3. Выберите Deactivated (Неактивен), если к прибору не подключен принтер или ПК, и подтвердите выбор. Дополнительную информацию о выводе данных см. в разделе [Выбор устройства вывода данных](#) на стр. 298.

## Стандартная операция

### Калибровка

#### ▲ ПРЕДУПРЕЖДЕНИЕ

Химическая опасность взрыва. Необходимо соблюдать правила техники безопасности и использовать индивидуальные средства защиты, соответствующие используемым химикатам. Обратитесь к соответствующим сертификатам безопасности материалов (MSDS).

### Настройка калибровки

В настройку калибровки входят тип калибровки, периодичность калибровки и показываемые опции.

1. В главном меню при помощи кнопок и выберите пункт CALIBRATION (КАЛИБРОВКА). Подтвердите.
2. При помощи кнопки войдите в меню калибровки.
3. При помощи кнопок и выберите следующие опции:

Опция	Наименование
Stability C. (Критерий стабильности):	Критерий стабильности — выберите Fast (Быстрая), Standard (Стандартная) или Strict (Строгая).

Опция	Наименование
<b>Calibration type (Тип калибровки)</b>	Calibration type (Тип калибровки) — выберите Technical buffers (Технические буферы), DIN19266 Buffers (Буферы DIN19266), User Buffers (Пользовательские буферы), To a X value (По значению X), data introduction (ввод данных) или Theoretical calibration (Теоретическая калибровка). Дополнительная информация приведена в <a href="#">Calibration types</a> .
<b>Cal. frequency (Периодичность калибровки)</b>	Calibration reminder (Оповещение о калибровке) — может быть установлено на срок от 0 до 7 дней (по умолчанию ежедневно). На экран прибора выводится время, оставшееся до новой калибровки. Дополнительная информация приведена в <a href="#">Установка оповещения о калибровке</a> на стр. 297.
<b>Display mV (Показывать мВ)</b>	Display mV (Показывать мВ) — выберите YES (ДА) или NO (НЕТ) для показа значений mV (мВ).
<b>Standard 220 mV (Стандарт 220 мВ)</b>	Standard 220 mV — калибровка по стандартному раствору 220 мВ
<b>To a X value (По значению X)</b>	To a X value (По значению X) — с использованием специфического стандартного раствора. Откорректируйте значение во время калибровки.
<b>Data introduction (Ввод данных)</b>	Data introduction Compensation (Компенсация при вводе данных) — введите значение компенсации
<b>Factory adjust (Заводская корректировка)</b>	Factory adjust (Заводская корректировка) — введите значение компенсации

## Типы калибровки

Можно выбрать разные типы калибровки.

1. В главном меню при помощи кнопок ▲ и ▼ выберите пункт CALIBRATION (КАЛИБРОВКА). Подтвердите.

2. При помощи кнопки ▲ войдите в меню калибровки.
3. При помощи кнопок ▲ и ▼ выберите тип калибровки.

Опция	Наименование
<b>Технические буферы</b>	pH 2,00, 4,01, 7,00, 9,21 и 10.01 при 25 °C (77 °F)
<b>Буферы DIN19266</b>	pH 1,679, 4,006, 6,865, 7,000, 9,180, 10,012 и 12,454
<b>User Buffers (Пользовательские буферы)</b>	Выберите, когда технические буферы или буферы DIN19266 не используются. <a href="#">Технические буферные растворы (DIN 19267)</a> на стр. 307 содержит значения pH и для указанных наборов буферных растворов при различных температурах.
<b>Calibration to a X value (Калибровка по значению X)</b>	Для ручной корректировки любого значения цены деления шкалы для измеренного значения pH.
<b>Data introduction (Ввод данных)</b>	Ручной ввод констант датчика.
<b>Theoretical calibration (Теоретическая калибровка)</b>	Данные калибровки датчика заменяются при 25 °C (77 °F).

## Процедура калибровки

Ниже следует общая процедура для жидких калибровочных растворов. Дополнительные сведения содержатся в документации, прилагаемой к каждому датчику.

**Примечание:** При калибровке растворы необходимо перемешивать. Подробнее о настройках мешалки см. [Изменение настроек мешалки](#) на стр. 300.

1. Налейте буферные или калибровочные растворы в помеченные калибровочные пробирки.
2. В главном меню при помощи ▲ или ▼ и ◀ и ▶ выберите параметр CALIBRATION (КАЛИБРОВКА). Подтвердите.
3. При необходимости задайте код оператора (от 1 до 10) и подтвердите.

4. Промойте датчик дистиллированной водой и поместите его в первую калибровочную пробирку. Убедитесь, что в мембране нет пузырьков воздуха.
5. Нажмите ✓ для запуска калибровки
6. Нажмите ✓ для измерения первого калибровочного раствора. Будет показан следующий калибровочный раствор.
7. Промойте датчик дистиллированной водой и поместите его во вторую калибровочную пробирку. Убедитесь, что в мембране нет пузырьков воздуха.
8. Нажмите ✓ для измерения второго калибровочного раствора. Будет показан следующий калибровочный раствор.
9. Промойте датчик дистиллированной водой и поместите его в третью калибровочную пробирку. Убедитесь, что в мембране нет пузырьков воздуха.
10. Нажмите ✓ для измерения третьего калибровочного раствора. Если калибровка правильная, на дисплее на короткое время будет выведено Calibration OK (Калибровка ОК), после чего система вернется в главное меню.  
*Примечание: Если подключен принтер, то откроется меню печати, из которого можно выполнить печать результата.*

### Просмотр данных калибровки

Данные последней калибровки можно просмотреть.

1. В главном меню при помощи ▲ или ▼ выберите пункт DATA LOGGER (ЖУРНАЛ ДАННЫХ). Подтвердите.
2. Выберите Display data (Вывод данных).
3. Выберите Calibration data (Калибровочные данные) и подтвердите нажатием ✓. Будут показаны данные последней калибровки.
  - pH — выводятся наклон и смещение, чередующиеся с отклонением (в %) и температурой калибровки.
  - ОВП — выводятся измеренное значение в мВ и температура калибровки.
  - Проводимость — выводятся постоянная ячейки и температура калибровки для каждого стандарта.

### Установка оповещения о калибровке

Оповещение о калибровке может быть установлено в пределах от 0 до 23 часов или от 1 до 7 дней (по умолчанию 1 день). На экран прибора выводится время, оставшееся до новой калибровки.

*Примечание: При выборе значения 0 дней оповещение отключается.*

1. В главном меню при помощи кнопок ▲ и ▼ выберите пункт CALIBRATION (КАЛИБРОВКА). Подтвердите.
2. При помощи кнопки ▲ войдите в меню калибровки.
3. При помощи кнопок ▲ и ▼ выберите Cal. frequency (Периодичность калибровки) и подтвердите выбор.
4. При помощи кнопок ◀ и ▶ перейдите к следующему шагу и при помощи кнопок ▲ и ▼ измените значение. Подтвердите. Нажмите ✓ для запуска калибровки.


### Измерения образцов

При измерении образцов для каждого датчика существуют свои подготовительные операции и процедуры.

1. В главном меню при помощи стрелок ▲, ▼, ◀ и ▶ выберите параметр MEASURE (ИЗМЕРЕНИЕ). Подтвердите.
2. Для изменения следующих значений используйте кнопку ▲. Подтверждайте каждое введенное значение.

Опция	Наименование
Решение	Выберите значение разрешения: 1; 0,1; 0,01 (по умолчанию) или 0,001

Опция	Наименование
<b>Измерение</b>	Stability (Стабильность) — выберите критерий стабильности: Fast (Быстрая) (изменение < 0,02 pH за 6 с), Standard (Стандартная) (изменение < 0,01 pH за 6 с) или Strict (Строгая) (изменение < 0,002 pH за 6 с). In continuous (Непрерывное считывание) — введите параметр In continuous Acquis. interval (Временной интервал для сбора данных в непрерывном режиме) (хранение или печать данных). By time (По времени) — выберите временной интервал для хранения и печати данных.
<b>Display mV (Показывать мВ)</b>	Display mV (Показывать мВ) — выберите YES (ДА) или NO (НЕТ) для показа значений mV (мВ).
<b>Ограничения</b>	Limits (Пределы) — выберите YES (ДА) или NO (НЕТ). YES (ДА): Введите верхний и нижний пределы. При выходе результата измерения за пределы подается звуковой предупреждающий сигнал. При выходе результата измерения за пределы в отчете рядом с результатом выводится символ A
<b>Изопотенциальный</b>	Isopotential (изопотенциальное значение) — изменение изопотенциального значения pH при вводе данных. Выберите Calculate (Вычисление) для повторной калибровки датчика.





- Нажмите  для запуска измерения.

**Примечание:** Если измерение не стабилизируется в течение 120 секунд, то прибор автоматически переходит в режим непрерывного измерения.

## Расширенные функции







### Изменение единиц измерения

Единицы измерения можно изменить независимо для каждого канала.

- В главном меню при помощи  и  выберите пункт SYSTEM (СИСТЕМА). Подтвердите.
- При помощи кнопок  и  выберите Measurement units (Единицы измерения) и подтвердите выбор.
- Выберите Channel 1 (Канал 1) или Channel 2 (Канал 2) и подтвердите выбор.
- Выберите ORP (mV) (ОВП, мВ), pH или ISE и подтвердите выбор.

### Используйте код образца





Код образца используется для привязки результатов измерений к месту отбора образцов. После привязки последующие результаты измерений будут включать данный код. После закрепления хранимая информация будет содержать в себе данный код.

- В главном меню при помощи  и  выберите пункт SYSTEM (СИСТЕМА). Подтвердите.
- При помощи кнопок  и  выберите Sample ID (Код образца) и подтвердите выбор.
- Используйте для выбора кнопки  и 

Опция	Наименование
<b>Автоматически</b>	Каждой пробе автоматически присваивается последовательный номер.
<b>Вручную</b>	При помощи клавиатуры или сканера штрих-кода введите код образца перед проведением измерения (не более 15 символов).

### Выбор устройства вывода данных

Данные могут быть сохранены или переданы на принтер или ПК.

- В главном меню при помощи  и  выберите пункт SYSTEM (СИСТЕМА). Подтвердите.
- При помощи кнопок  и  выберите Data Output (Вывод данных) и подтвердите выбор.

### 3. Используйте для выбора кнопки ▲ и ▼

Опция	Наименование
<b>Deactivated (Неактивен)</b>	Выберите Deactivated (Неактивен), если к прибору не подключен принтер или ПК.
<b>For Printer (На принтер)</b>	Выберите Dot matrix (Матричный) или Thermal (Термографический) принтер.
<b>For Computer (На компьютер)</b>	Выберите Terminal, LabCom или LabCom Easy. Программа LabCom обеспечивает управление с компьютера модулями, приборами для измерения pH и проводимости, автоматическими бюретками, устройствами отбора проб и т.п. Программа LabCom Easy получает с ПК данные по pH и проводимости.

## Изменение даты и времени

Дата и время можно настроить в меню Date / Time (Дата / Время).

1. В главном меню при помощи ▲ и ▼ выберите пункт SYSTEM (СИСТЕМА). Подтвердите.
2. При помощи кнопок ▲ или ▼ выберите Дата и время и подтвердите выбор.
3. При помощи кнопок ◀ и ▶ перейдите к следующему шагу и при помощи кнопок ▲ и ▼ измените значение. Подтвердите. Текущие дата и время будут выведены на экран.

## Настройте контрастность дисплея

1. В главном меню при помощи ▲ и ▼ выберите пункт SYSTEM (СИСТЕМА). Подтвердите.
2. При помощи кнопок ▲ или ▼ выберите "Контраст дисплея" и подтвердите выбор.
3. При помощи кнопок ◀ и ▶ настройте контрастность дисплея и подтвердите настройку.

## Корректировка температуры

Измеряемую температуру можно откорректировать при 25 °C (77 °F) и/или 85 °C (185 °F) для повышения точности.

1. Поместите датчик и эталонный термометр в емкость с водой с температурой около 25 °C и подождите стабилизации температуры.
2. Сравните показания температуры датчика с показаниями эталонного термометра. Их разница принимается в качестве поправки для датчика. Пример: эталонный термометр: 24,5 °C; датчик: 24,3 °C. Величина поправки: 0,2 °C.
3. Введите значение поправки для показания 25 °C:
  - a. В главном меню при помощи ▲ и ▼ выберите пункт SYSTEM (СИСТЕМА). Подтвердите.
  - b. При помощи кнопок ▲ или ▼ выберите Readjust temp. (Повторить корректировку температуры) и подтвердите выбор.
  - c. Выберите Channel 1 (Канал 1) или Channel 2 (Канал 2) и подтвердите выбор. Температура на канале 1 измеряется в ячейке проводимости, а на канале 2 - датчиком pH. Если ячейка проводимости не подключена, то значение температуры необходимо ввести вручную или применить температуру, измеренную на канале 2.
  - d. При помощи кнопок ▲ или ▼ выберите 25 °C и подтвердите выбор.
  - e. При помощи клавиш со стрелками введите значение поправки для 25 °C и подтвердите его.
4. Поместите датчик и эталонный термометр в емкость с водой с температурой около 85 °C и подождите стабилизации температуры.
5. Сравните показания температуры датчика с показаниями эталонного термометра. Их разница принимается в качестве поправки для датчика.
  - a. При помощи кнопок ▲ или ▼ выберите 85 °C и подтвердите выбор.

- b. При помощи клавиш со стрелками введите значение поправки для 85 °C и подтвердите его.
- c. Выберите Save changes (Сохранить изменения) и подтвердите выбор.

## Изменение настроек мешалки

Для включения магнитной мешалки и изменения ее скорости можно использовать меню мешалки.

1. В главном меню при помощи ▲ и ▼ выберите пункт SYSTEM (СИСТЕМА). Подтвердите.
2. При помощи кнопок ▲ и ▼ выберите Stirring (Мешалка) и подтвердите выбор.
3. Для включения и выключения мешалки нажмите ✓.
4. Если мешалка включена, при помощи кнопок ▲ и ▼ можно изменить ее скорость в %.

*Примечание:* Скорость мешалки можно изменить в ходе калибровки или измерения при помощи кнопок ▲ и ▼.

## Включение и выключение мешалки

Мешалка 1 работает на каналах 1 и 2 (Мешалка 1). Мешалку 2 можно подключить к каналу 2 (Мешалка 2). Для подключения мешалки 2 выполните следующие действия.

1. В главном меню при помощи ▲ и ▼ выберите пункт SYSTEM (СИСТЕМА). Подтвердите выбор нажатием ✓.
2. При помощи кнопок ▲ и ▼ выберите Stirrer N.2 (Мешалка 2) и подтвердите выбор нажатием ✓.
3. При помощи кнопок ▲ и ▼ выберите YES (ДА) для включения мешалки 2.

*Примечание:* Выберите NO (НЕТ) для выключения мешалки 2.

## Изменение единиц температуры

В качестве единиц температуры можно установить градусы Цельсия или Фаренгейта.

1. В главном меню при помощи ▲ и ▼ выберите пункт SYSTEM (СИСТЕМА). Подтвердите.
2. При помощи кнопок ▲ или ▼ выберите Temperature units (ЕД. ТЕМПЕРАТУРЫ) и подтвердите выбор.
3. При помощи кнопок ▲ или ▼ выберите Celsius (Цельсия) или Fahrenheit (Фаренгейта) и подтвердите выбор.

## Журнал данных

### Вывод данных

Журнал вывода данных содержит такие данные, как Measurement data (Данные измерения), Electrode data (Данные по электродам) и Calibration data (Калибровочные данные). Сохраненные данные могут быть переданы на принтер или ПК. По заполнении журнала (400 точек с данными) самые старые данные удаляются по мере добавления новых.

1. При помощи кнопок ◀ и ▶ выберите Channel 1 (Канал 1) или Channel 2 (Канал 2) и подтвердите выбор.
2. В главном меню при помощи ▲ и ▼ выберите пункт SYSTEM (СИСТЕМА). Подтвердите.
3. При помощи кнопок ▲ и ▼ выберите DATA LOGGER (ЖУРНАЛ ДАННЫХ) и подтвердите выбор.
4. При помощи кнопок ▲ и ▼ выберите Display data (Вывод данных) и подтвердите выбор.
5. Используйте для выбора кнопки ▲ и ▼

Опция	Наименование
Measurement data (Данные измерения)	Measurement data (Данные измерения) — в них автоматически заносятся результаты каждого измерения пробы



Опция	Наименование
<b>Electrode report (Данные по электродам)</b>	Electrode report (Данные по электродам) — в них автоматически заносится история электрода и условия измерения
<b>Calibration data (Калибровочные данные)</b>	Calibration data (Калибровочные данные) — в них автоматически заносятся данные текущей калибровки

## Удаление данных

Можно удалить как все результаты измерений, так и журнал данных по электродам, чтобы освободить память от данных, уже отправленных на принтер или в ПК.

1. В главном меню при помощи ▲ и ▼ выберите пункт SYSTEM (СИСТЕМА). Подтвердите.
2. При помощи кнопок ▲ и ▼ выберите DATA LOGGER (ЖУРНАЛ ДАННЫХ) и подтвердите выбор.
3. При помощи кнопок ▲ или ▼ выберите Erase (Удалить) и подтвердите выбор.
4. При помощи кнопок ▲ или ▼ выберите Measurement data (Данные измерения) или Electrode report (Данные по электродам) и подтвердите выбор. Повторите подтверждение удаления данных. Весь журнал данных удаляется одновременно.

## Отправка данных на принтер или компьютер

### УВЕДОМЛЕНИЕ

Сначала необходимо выбрать направление вывода данных (на принтер или на ПК), чтобы получить доступ к меню печати (см. [Выбор устройства вывода данных](#) на стр. 298).

**Примечание:** По поводу выбора типа отчета см. [Вывод отчета](#) на стр. 301.

1. В главном меню при помощи ▲ и ▼ выберите пункт SYSTEM (СИСТЕМА). Подтвердите.

2. При помощи кнопок ▲ и ▼ выберите DATA LOGGER (ЖУРНАЛ ДАННЫХ) и подтвердите выбор.
3. При помощи кнопок ▲ и ▼ выберите Print (Печать) и подтвердите выбор. Выберите один из следующих вариантов печати данных и подтвердите его нажатием ✓: Measurement data (Данные измерения), Electrode data (Данные по электродам), Calibration data (Калибровочные данные), Calibration report (Отчет о калибровке) или Instrument condit. (Кондиционирование прибора).

## Вывод отчета

### УВЕДОМЛЕНИЕ

Сначала необходимо выбрать направление вывода данных (на принтер или на ПК), чтобы получить доступ к меню Type of report (Тип отчета) (см. [Выбор устройства вывода данных](#) на стр. 298).

При подключении принтера или ПК можно выбрать различные типы отчетов.

1. В главном меню при помощи ▲ и ▼ выберите пункт SYSTEM (СИСТЕМА). Подтвердите.
2. При помощи кнопок ▲ или ▼ выберите Type of report (Тип отчета) и подтвердите выбор.
3. При подключении принтера или компьютера и терминала выполните выбор при помощи кнопок ▲ или ▼

Опция	Наименование
<b>Reduced (Краткий)</b>	Выбор в качестве формата вывода Several or One sample (Несколько проб или одна)

Опция	Наименование
.	Выбор в качестве формата вывода Several or One sample (Несколько проб или одна). Несколько: <b>Users</b> (Пользователи): имя пользователя, которое будет выведено в печатном отчете (17 символов). <b>Header</b> (Заголовок): в качестве заголовка печатного отчета можно вписать наименование компании добавить (40 символов). <b>Identify sensor</b> (Идентификационные данные датчика): в печатный отчет добавляются модель и серийный номер датчика.
<b>GLP</b> (Эффективное использование лабораторных методик)	Выбор в качестве формата вывода Several or One sample (Несколько проб или одна). Несколько: <b>Users</b> (Пользователи): имя пользователя, которое будет выведено в печатном отчете (17 символов). <b>Header</b> (Заголовок): в качестве заголовка печатного отчета можно вписать наименование компании добавить (40 символов). <b>Identify sensor</b> (Идентификационные данные датчика): в печатный отчет добавляются модель и серийный номер датчика.

4. Если компьютер подключен и выбран пункт LabCom Easy (см. дополнительные сведения в [Выбор устройства вывода данных](#) на стр. 298), используйте кнопки ▲ или ▼ для выбора

Опция	Наименование
<b>Пользователи</b>	Имя пользователя, которое будет выведено в печатном отчете (17 символов).
<b>Identify sensor</b> (Идентификационные данные датчика)	В печатный отчет добавляются модель и серийный номер датчика.

## Обслуживание

### ▲ ПРЕДУПРЕЖДЕНИЕ

Различные опасности. Не разбирайте прибор для обслуживания. При необходимости очистки или ремонта внутренних компонентов обратитесь к производителю.

### ▲ ОСТОРОЖНО

Риск получения травмы. Работы, описываемые в данном разделе настоящего руководства пользователя, должны выполняться только квалифицированным персоналом.

## Очистка прибора

### УВЕДОМЛЕНИЕ

Для очистки прибора, в том числе дисплея и принадлежностей, не допускается использование таких чистящих средств, как скипидар, ацетон и им подобных.

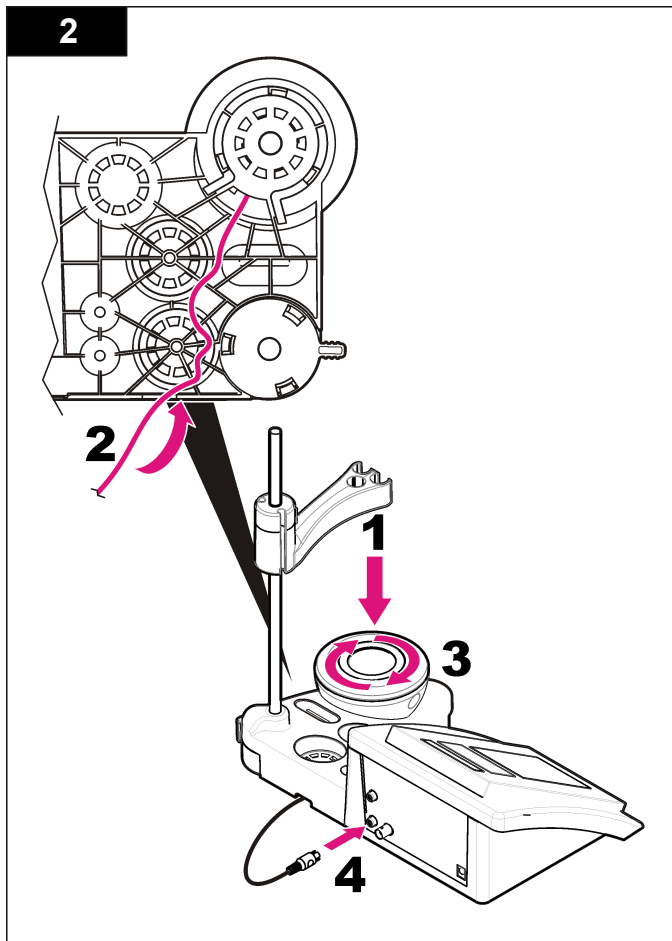
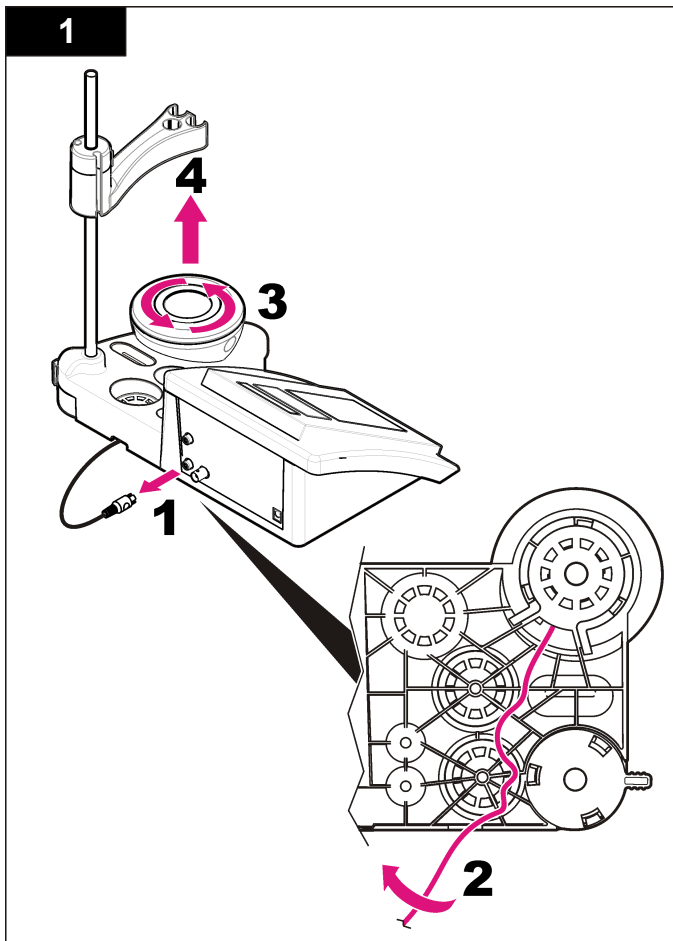
Внешние поверхности прибора можно очищать влажной тканью, смоченной слабым мыльным раствором.

## Очистите датчик

Очистите датчик при необходимости. Дополнительную информацию об очистке см. в разделе [Поиск и устранение неисправностей](#) на стр. 304. Сведения об обслуживании датчика приводятся в документации к нему.

## Замена магнитной мешалки

Если магнитная мешалка не запускается, выполните следующие действия для ее замены.



## Поиск и устранение неисправностей

В данной таблице перечислены наиболее распространенные сообщения о неполадках и их характерные признаки, а также возможные причины и необходимые действия для устранения.

**Таблица 1 Предупреждения и ошибки при калибровке**

Ошибка/Предупреждение	Способ устранения
Asymmetry > 58 mV (Асимметрия > 58 мВ)	Выход наклона за пределы диапазона (допустимые значения $\pm 58$ мВ). Повторите калибровку. Подключите новый датчик.
Buffer or electrode in poor conditions (Буферный раствор или электрод дефективен).	Проверьте датчик: очистите датчик (см. дополнительные сведения в <a href="#">Очистите датчик</a> на стр. 302); убедитесь, что в мембране нет пузырьков воздуха. Покачайте датчик как термометр; подключите к прибору другой датчик, чтобы определить источник проблемы - в датчике или в приборе.  Проверьте буферный раствор: убедитесь, что используемый буферный раствор соответствует установленному в настройках; проверьте настройки температуры в конфигурации; используйте новый буферный раствор.
BUFFER NOT RECOGNIZED (БУФЕРНЫЙ РАСТВОР НЕ РАСПОЗНАН)	Повторите калибровку. Проверьте датчик: очистите датчик (см. дополнительные сведения в <a href="#">Очистите датчик</a> на стр. 302); убедитесь, что в мембране нет пузырьков воздуха.
Sens. (Чувств.) (a) < 70%	Покачайте датчик как термометр; подключите к прибору другой датчик, чтобы определить источник проблемы - в датчике или в приборе.  Проверьте буферный раствор: убедитесь, что используемый буферный раствор соответствует установленному в настройках; проверьте настройки температуры в конфигурации; используйте новый буферный раствор.

**Таблица 1 Предупреждения и ошибки при калибровке (продолжение)**

Ошибка/Предупреждение	Способ устранения
UNSTABLE READING (НЕСТАБИЛЬНЫЕ ПОКАЗАНИЯ) Time t > 100 s (Время t > 100 с)	Повторите калибровку. Проверьте датчик: очистите датчик (см. дополнительные сведения в <a href="#">Очистите датчик</a> на стр. 302); убедитесь, что в мембране нет пузырьков воздуха. Покачайте датчик как термометр; подключите к прибору другой датчик, чтобы определить источник проблемы - в датчике или в приборе.  Убедитесь, что мембрана и диафрагма правильно погружены в пробу.
Check temperature (Проверьте температуру). Проверьте электрод	Проверьте в меню настройки установленную температуру.  Проверьте датчик: очистите датчик (см. дополнительные сведения в <a href="#">Очистите датчик</a> на стр. 302); убедитесь, что в мембране нет пузырьков воздуха. Покачайте датчик как термометр; подключите к прибору другой датчик, чтобы определить источник проблемы - в датчике или в приборе.

**Таблица 1 Предупреждения и ошибки при калибровке  
(продолжение)**

Ошибка/Предупреждение	Способ устранения
Electrode in poor conditions (Электрод дефективен).	Проверьте датчик: очистите датчик (см. дополнительные сведения в <a href="#">Очистите датчик</a> на стр. 302); убедитесь, что в мембране нет пузырьков воздуха. Покачайте датчик как термометр; подключите к прибору другой датчик, чтобы определить источник проблемы - в датчике или в приборе.
Проверьте электрод	
SAME BUFFERS (ОДИНАКОВЫЙ БУФЕР)	<p>Повторите калибровку.</p> <p>Проверьте датчик: очистите датчик (см. дополнительные сведения в <a href="#">Очистите датчик</a> на стр. 302); убедитесь, что в мембране нет пузырьков воздуха. Покачайте датчик как термометр; подключите к прибору другой датчик, чтобы определить источник проблемы - в датчике или в приборе.</p> <p>Проверьте буферный раствор: Используйте новый буферный раствор.</p>

**Таблица 2 Предупреждения и ошибки при измерении**

Ошибка/Предупреждение	Способ устранения
pH 12,78 19°C	Повторите калибровку
pH	Проверьте датчик: очистите датчик (см. дополнительные сведения в <a href="#">Очистите датчик</a> на стр. 302); убедитесь, что в мембране нет пузырьков воздуха. Покачайте датчик как термометр; подключите к прибору другой датчик, чтобы определить источник проблемы - в датчике или в приборе.

**Таблица 2 Предупреждения и ошибки при измерении  
(продолжение)**

Ошибка/Предупреждение	Способ устранения
Temp out of range °C (Температура °C вне пределов диапазона)	Проверьте датчик температуры Подключите к прибору другой датчик, чтобы определить источник проблемы - в датчике или в приборе.
Time > 60 s (Время > 60 с)	Убедитесь, что мембрана и диафрагма правильно погружены в пробу. Проверьте температуру.
Time > 150 s (Время > 150 с)	
Time > 300 s (Время > 300 с)	Проверьте датчик: очистите датчик (см. дополнительные сведения в <a href="#">Очистите датчик</a> на стр. 302); убедитесь, что в мембране нет пузырьков воздуха. Покачайте датчик как термометр; подключите к прибору другой датчик, чтобы определить источник проблемы - в датчике или в приборе.
10,389 мг/л >>>>> 00012 00:13	Измерения ISE: Измеренное значение выше максимального значения стандарта, использованного при калибровке. Повторите измерение.
0,886 мг/л <<<<<< 00018 00:11	Измерения ISE: Измеренное значение ниже минимального значения стандарта, использованного при калибровке. Повторите измерение.

## Запасные части и принадлежности

**Примечание:** Номера изделия и товара могут меняться для некоторых регионов продаж. Свяжитесь с соответствующим дистрибьютором или см. контактную информацию на веб-сайте компании.

## Запасные части

Наименование	Изд. №
sensION+ PH3 Лабораторный измеритель pH с обеспечением эффективного использования лабораторных методик, с принадлежностями, без датчика	LPV2000.98.0002
sensION+ PH31 Лабораторный измеритель pH с обеспечением эффективного использования лабораторных методик, с принадлежностями, без датчика	LPV2100.98.0002
sensION+ MM340 Лабораторный измеритель pH и иономер с обеспечением эффективного использования лабораторных методик, 2-канальный, с принадлежностями, без датчика	LPV2200.98.0002
sensION+ EC7 Лабораторный измеритель проводимости, с принадлежностями, без датчика	LPV3010.98.0002
sensION+ EC71 Лабораторный измеритель проводимости с обеспечением эффективного использования лабораторных методик, с принадлежностями, без датчика	LPV3110.98.0002
sensION+ MM374, 2-канальный лабораторный измерительный прибор с обеспечением эффективного использования лабораторных методик, с принадлежностями, без датчика	LPV4110.98.0002

## Расходные материалы

Наименование	Изд. №
Буферный раствор pH 4,01, 125 мл	LZW9460.99
Буферный раствор pH 7,00, 125 мл	LZW9461.98
Буферный раствор pH 10,01, 125 мл	LZW9470.99
Буферный раствор pH 4,01, 250 мл	LZW9463.99
Буферный раствор pH 7,00, 250 мл	LZW9464.98

## Запасные части и принадлежности (продолжение)

Наименование	Изд. №
Буферный раствор pH 10,01, 250 мл	LZW9471.99
Буферный раствор pH 4,01, 1000 мл	LZW9466.99
Буферный раствор pH 7,00, 1000 мл	LZW9467.98
Буферный раствор pH 10,01, 1000 мл	LZW9472.99
Раствор электролита (KCl 3M), 125 мл	LZW9510.99
Раствор электролита (KCl 3M), 250 мл	LZW9500.99
Раствор электролита (KCl 3M), 50 мл	LZW9509.99
Раствор электролита 0,1 M, 125 мл	LZW9901.99
Раствор фермента	2964349
Пепсиновый очищающий раствор	2964349
Электродный очищающий раствор	2965249
Раствор 0,1 N HCl	1481253

## Принадлежности

Наименование	Изд. №
Термографический принтер, RS232, настольный, для sensION+	LZW8201.99
Бумага для термопечати LZW8201, пакет из 5 рулонов	LZW9117.99
Матричный принтер, RS232, для приборов sensION+	LZW8200.99
Стандартная бумага для принтера LZW8200, пакет из 10 рулонов	LZW9000.99
Лента для принтера LZW8200, 3 шт.	LZW9001.99

## Запасные части и принадлежности (продолжение)

Наименование	Изд. №
LabCom Easy PC SW, для sensION+ с обеспечением эффективного использования лабораторных методик, компакт-диск, кабель, USB-адаптер	LZW8997.99
LabCom PC SW, для sensION+ с обеспечением эффективного использования лабораторных методик, компакт-диск, кабель, адаптер USB	LZW8999.99
Кабель RS232 для настольных приборов sensION+	LZW9135.99
Кабель RS232 для настольных приборов sensION+ с адаптером USB	LZW9135USB.99
Магнитная мешалка с держателем датчика для настольных приборов sensION+ MM	LZW9319.99
Мензурки 3x50 мл с маркировкой для калибровки настольных измерителей pH	LZW9110.98
Держатель трех датчиков для настольных приборов sensION+	LZW9321.99
Держатель и хомут для трех датчиков	LZW9155.99
Камера из пирекса для непрерывных проточных измерений	LZW9118.99
Полипропиленовое защитное устройство для хранения электродов	LZW9161.99

## Стандартные растворы

### Технические буферные растворы (DIN 19267)

Таблица 3 содержит значения pH и ОВП (мВ) для указанных наборов буферных растворов при различных температурах.

Таблица 3 Значения pH, ОВП (мВ) и температуры

Температура		pH					мВ
°C	°F						
0	32	2,01	4,01	7,12	9,52	10,30	—
10	50	2,01	4,00	7,06	9,38	10,17	245
20	68	2,00	4,00	7,02	9,26	10,06	228
<b>25</b>	<b>77</b>	<b>2,00</b>	<b>4,01</b>	<b>7,00</b>	<b>9,21</b>	<b>10,01</b>	<b>220</b>
30	86	2,00	4,01	6,99	9,16	9,96	212
40	104	2,00	4,03	6,97	9,06	9,88	195
50	122	2,00	4,06	6,97	8,99	9,82	178
60	140	2,00	4,10	6,98	8,93	9,76	160
70	158	2,01	4,16	7,00	8,88	—	—
80	176	2,01	4,22	7,04	8,83	—	—
90	194	2,01	4,30	7,09	8,79	—	—

### Буферные растворы (DIN 19266)

Таблица 4 содержит значения pH и ОВП (мВ) для указанных наборов буферных растворов при различных температурах.

Таблица 4 Значения pH, ОВП (мВ) и температуры

Температура		pH					мВ	
°C	°F							
5	32	1,668	4,004	6,951	7,087	9,395	10,245	13,207
10	50	1,670	4,000	6,923	7,059	9,332	10,179	13,003
20	68	1,675	4,001	6,881	7,016	9,225	10,062	12,627
<b>25</b>	<b>77</b>	<b>1,679</b>	<b>4,006</b>	<b>6,865</b>	<b>7,000</b>	<b>9,180</b>	<b>10,012</b>	<b>12,454</b>

**Таблица 4 Значения рН, ОВП (мВ) и температуры  
(продолжение)**

Температура		рН					мВ	
°С	°F							
30	86	1,683	4,012	6,853	6,987	9,139	9,966	12,289
40	104	1,694	4,031	6,838	6,970	9,068	9,889	11,984
50	122	1,707	4,057	6,833	6,964	9,011	9,828	11,705
60	140	1,723	4,085	6,836	6,968	8,962	—	11,449
70	158	1,743	4,126	6,845	6,982	8,921	—	—
80	176	1,766	4,164	6,859	7,004	8,885	—	—
90	194	1,792	4,205	6,877	7,034	8,850	—	—



## Teknik Özellikler

Teknik özellikler, önceden bildirilmeksizin değiştirilebilir.

Teknik Özellik	Ayrıntılar
Boyutlar	35 x 20 x 11 cm (13.78 x 7.87 x 4.33 inç)
Ağırlık	1100 g (2,43 lb)
Cihaz muhafazası	IP42
Güç gereksinimleri (dış)	100–240 V, 0,4 A, 47-63 Hz
Cihaz koruma sınıfı	Sınıf II
Saklama sıcaklığı	-15 - +65 °C (5 - +149 °F)
Çalışma sıcaklığı	0 - 40 °C (41 - 104 °F)
Çalışma nem oranı	< % 80 (yoğunlaşmayan)
Çözünürlük	pH: 0,1/0,01/0,001, ORP: 0,1/1 mV, ISE: programlanabilir, sıcaklık: 0,1 °C (0,18 °F)
Ölçüm hatası (± 1 rakam)	pH: ≤ 0,002, ORP: ≤ 0,2 mV, sıcaklık: ≤ 0,2 °C (≤ 0,36 °F)
Tekrarlanabilirlik (± 1 rakam)	pH: ± 0,001, ORP: ± 0,1 mV, sıcaklık: ± 0,1 °C (± 0,18 °F)
Veri saklama	330 sonuç ve son 9 kalibrasyon
Bağlantılar	2 Kombine veya indikatör prob: BNC konektör (Emp. >10 <sup>12</sup> Ω); 2 Referans elektrot: muz konektör; A.T.C. tip Pt 1000: muz veya telefonik konektör manyetik karıştırıcı: RCA konektör; 2 manyetik karıştırıcı: RCA konektör
Sıcaklık düzeltmesi	Manuel, Pt 1000 sıcaklık probu (A.T.C.), izopotansiyel pH programlanabilir, standart değer 7,00
Ölçüm ekranı modu	Sürekli ölçüm, stabiliteye göre
Ekran	Sıvı kristal, arkadan aydınlatmalı, 128 x 64 nokta

Teknik Özellik	Ayrıntılar
Klavye	Koruyucu işlem uygulanmış PET
Belgelendirme	CE

## Genel Bilgiler

Güncellenmiş basımlara, üreticinin web sitesinden ulaşılabilir.

## Güvenlik bilgileri

### BILGI

Üretici, doğrudan, arızı ve sonuç olarak ortaya çıkan zararlar dahil olacak ancak bunlarla sınırlı olmayacak şekilde bu ürünün hatalı uygulanması veya kullanılmasından kaynaklanan hiçbir zarardan sorumlu değildir ve yürürlükteki yasalardan izin verdiği ölçüde bu tür zararları reddeder. Kritik uygulama risklerini tanımlamak ve olası bir cihaz arızasında prosesleri koruyabilmek için uygun mekanizmaların bulunmasını sağlamak yalnızca kullanıcının sorumluluğundadır.

Bu cihazı paketinden çıkarmadan, kurmadan veya çalıştırmadan önce lütfen bu kılavuzun tümünü okuyun. Tehlikeler ve uyarılarla ilgili tüm ifadeleri dikkate alın. Aksi halde, kullanıcının ciddi şekilde yaralanması ya da ekipmanın hasar görmesi söz konusu olabilir.

Bu cihazın korumasının bozulmadığından emin olun. Cihazı bu kılavuzda belirtilenden başka bir şekilde kullanmayın veya kurmayın.

## Tehlikeyle ilgili bilgilerin kullanılması

### ▲ TEHLİKE

Olması muhtemel veya yakın bir zamanda olmasından korkulan, engellenmediği takdirde ölüm veya ciddi yaralanmaya neden olacak tehlikeli bir durumu belirtir.

### ▲ UYARI

Önlenmemesi durumunda ciddi yaralanmalar veya ölümlerle sonuçlanabilecek potansiyel veya yakın bir zamanda meydana gelmesi beklenen tehlikeli durumların mevcut olduğunu gösterir.

## ⚠ DİKKAT



Daha küçük veya orta derecede yaralanmalarla sonuçlanabilecek potansiyel bir tehlikeli durumu gösterir.

## BİLGİ

Engellenmediği takdirde cihazda hasara neden olabilecek bir durumu belirtir. Özel olarak vurgulanması gereken bilgiler.

## Önlem etiketleri

Cihazın üzerindeki tüm etiketleri okuyun. Burada belirtilenlere uyulmadığı takdirde kişisel yaralanmalar ortaya çıkabilir ya da cihaz hasar görebilir. Cihazın üzerinde bulunan semboller; kılavuzda tehlike veya dikkat ifadesiyle yer alır.

	Bu simge, cihazın üzerinde belirttiği takdirde, çalıştırma ve/veya güvenlik bilgileri için kullanım kılavuzuna referansta bulunur.
	Bu simgeyi taşıyan elektrikli cihazlar, 12 Ağustos 2005 tarihinden sonra Avrupa evsel atık toplama sistemlerine atılamaz. Avrupa'daki yerel ve ulusal yönetmeliklere (2002/98/EC sayılı AB Direktifi) göre Avrupa'daki elektrikli cihaz kullanıcıları, eski veya kullanım süresi dolmuş cihazları bertaraf edilmesi için herhangi bir ücret ödmeden üreticiye göndermelidir. <b>Not:</b> Geri dönüşüm için iade etmeden önce lütfen kullanım süresi dolmuş cihazın, üretici tarafından verilen elektrikli aksesuarların ve tüm yardımcı bileşenlerin uygun şekilde bertaraf edilebilmesi için nasıl iade edilmesi gerektiği konusunda gerekli talimatları almak üzere üretici veya tedarikçi ile irtibata geçiniz.

## Ürüne genel bakış

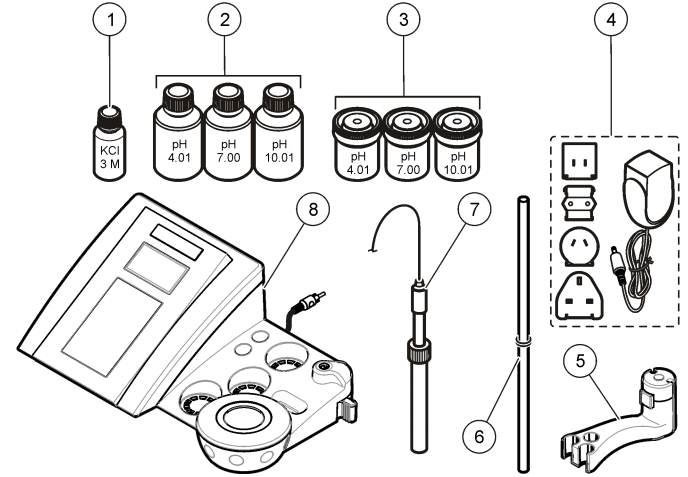
sensION™+ ölçüm cihazları sudaki çeşitli parametreleri ölçmek için problarla kullanılır.

sensION™+ MM340 ölçüm cihazında selektif probla pH, ORP (mV) veya ISE (konsantrasyon) ölçmek için iki ölçüm kanalı vardır. Ölçüm verileri saklanarak yazıcı veya PC'ye aktarılabilir.

## Ürünün bileşenleri

Tüm bileşenlerin olduğundan emin olmak için bkz. Şekil 1. Eksik veya hasarlı herhangi bir bileşen varsa, hemen üretici veya satış temsilcisiyle bağlantıya geçin.

### Şekil 1 Ölçüm cihazı bileşenleri

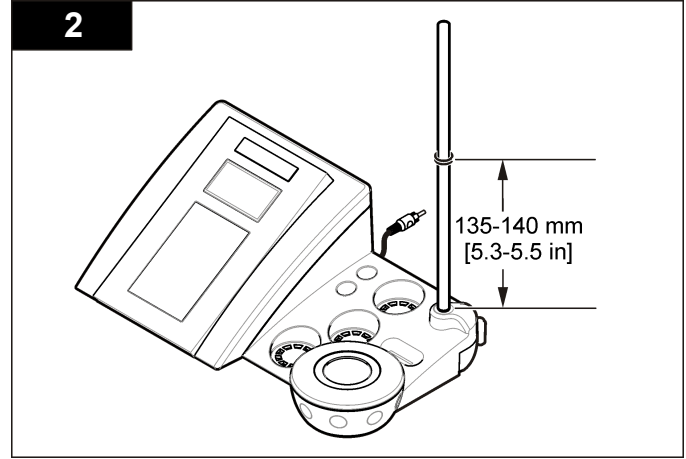
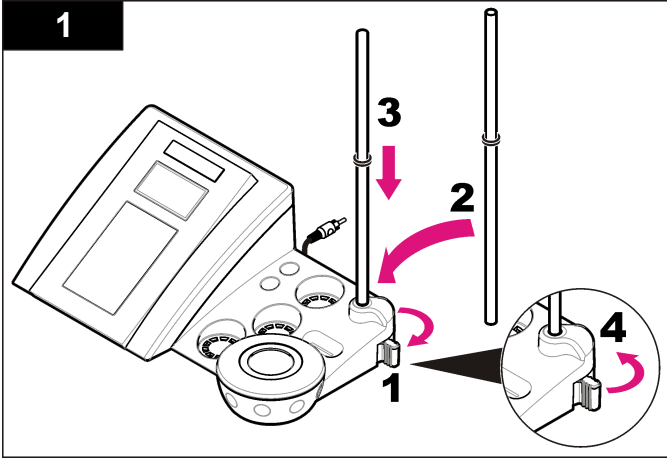


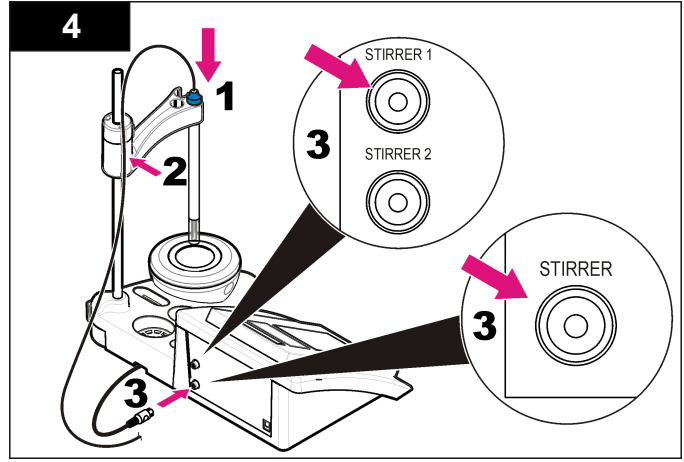
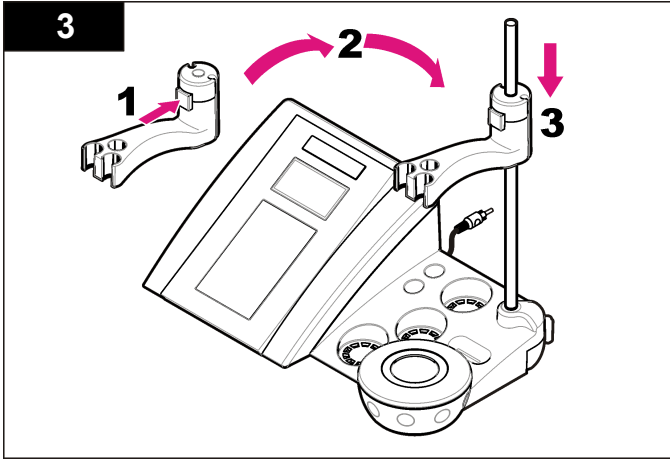
1 Prob elektroliti	5 Prob tutucu
2 Tampon çözeltileri (pH 4.01, pH 7.00 ve pH 10.01)	6 O-halkalı çubuk
3 Kalibrasyon kapları (içinde manyetik çubukla)	7 Prob (yalnızca kitlerle birlikte verilir)
4 Güç kaynağı	8 Cihaz

## Kurulum

### Prob tutucunun montajı

Prob tutucuyu monte etmek ve manyetik karıştırıcıyı bağlamak için aşağıda numaralandırılmış adımları uygulayın.





## AC gücüne bağlama

### ⚠ TEHLİKE

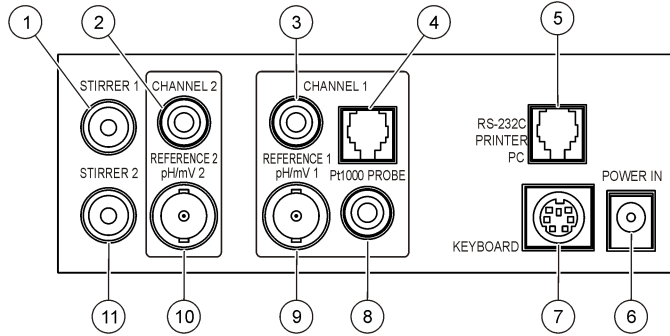


Elektrik Çarpması Nedeniyle Ölüm Tehlikesi. Cihaz dış mekanlarda ya da ıslak olabilecek yerlerde kullanılıyorsa, cihazı ana elektrik kaynağına bağlamak için bir Toprak Hatası Elektrik Şebekesini Kesme cihazı kullanılmalıdır.

Ölçüm cihazı, evrensel güç adaptörüyle AC gücüyle çalışabilir.

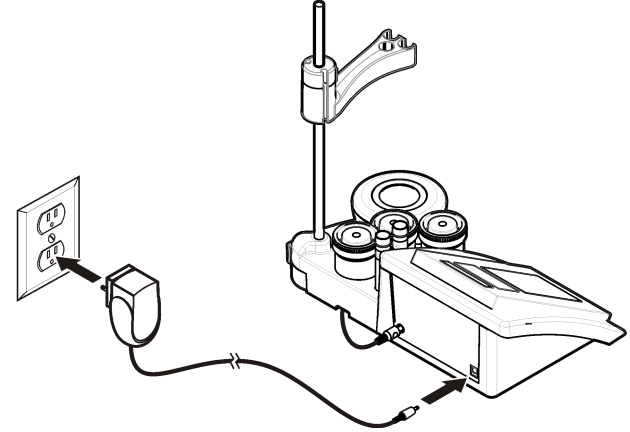
1. Adaptör setinden güç çıkışına uygun olan adaptörü seçin.
2. Evrensel güç adaptörünü ölçüm cihazına ([Şekil 2](#)) bağlayın.
3. Evrensel güç adaptörünü AC duyuna ([Şekil 3](#)) bağlayın.
4. Ölçüm cihazını açın.

**Şekil 2 Konektör paneli**



1 Manyetik karıştırıcı 1 konektörü, Kanal 1	7 Bilgisayar klavyesi, mini DIN konektörü
2 Referans elektrot (ayrı elektrotlar) konektörü, Kanal 1	8 Sıcaklık prob konektörü, Kanal 2
3 Referans elektrot (ayrı elektrotlar) konektörü, Kanal 2	9 Kombine pH elektrot (veya gösterge) konektörü, Kanal 2
4 Ayrı sıcaklık prob konektörü, Kanal 2	10 Kombine pH elektrot (veya gösterge) konektörü, Kanal 1
5 Yazıcı veya bilgisayar konektörü için RS-232	11 Manyetik karıştırıcı 2 konektörü, Kanal 2
6 Güç kaynağı	

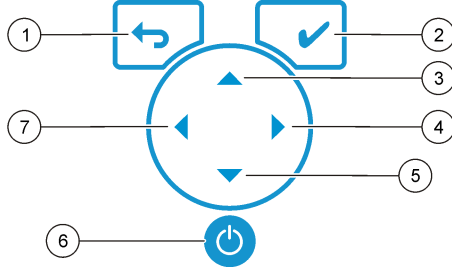
**Şekil 3 AC güç bağlantısı**



## Kullanıcı arayüzü ve gezinme

### Kullanıcı arayüzü

#### Tuş takımının tanımı

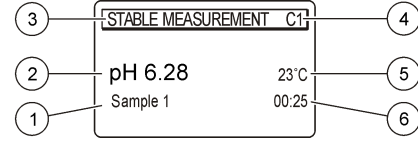


1 RETURN tuşu: önceki menü ekranına dönmek için geçerli menü ekranını iptal eder veya ekrandan çıkar	5 DOWN (AŞAĞI) tuşu: diğer seçeneklere gider, bir değeri değiştirir
2 MEASUREMENT (ÖLÇÜM) tuşu: seçilen seçeneği onaylar	6 AÇMA/KAPAMA: cihazı açar ve kapatır
3 UP (YUKARI) tuşu: diğer seçeneklere gider, bir değeri değiştirir	7 LEFT (SOL) tuşu: Channel 1 (Kanal 1) ve Channel 2 (Kanal 2) arasında geçiş yapar, rakam ve harfleri girer
4 RIGHT (SAĞ) tuşu: Channel 1 (Kanal 1) ve Channel 2 (Kanal 2) arasında geçiş yapar, rakam ve harfleri girer	

### Ekran açıklaması

Ölçüm cihazı ekranı konsantrasyonu, birimleri, sıcaklığı, kalibrasyon durumunu, kullanıcı ismini, numune ismini, tarihi ve saati gösterir.

### Şekil 4 Tek ekranda gösterim



1 Numune adı	4 Numune sıcaklığı (°C veya °F)
2 Ölçüm birimi ve değeri (pH, ORP (mV) veya ISE)	5 Görsel ölçüm zamanlayıcı
3 Ölçüm modu veya saat ve tarih	

### Gezinme

Bir önceki menüye dönmek için ↩ tuşunu kullanın. Bir numune ölçümü almak veya seçenekleri onaylamak için measure (ölçüm) tuşunu ✓ kullanın. Diğer seçenekler arasında gezinmek veya bir değeri değiştirmek için ok tuşlarını ▲▼ kullanın. Parametreleri değiştirmek için ok tuşlarını ◀ve ▶ kullanın. Her işleme özel talimatlara bakın.

### Başlatma

#### Cihazı açma ve kapatma

#### BİLGİ

Cihaz açılmadan önce probun cihaza takıldığından emin olun.

Ölçüm cihazını açmak veya kapatmak için ⏻ tuşuna basın. Cihaz açılmıyorsa AC güç kaynağının bir elektrik prizine düzgün biçimde bağlı olduğundan emin olun.

### Dili değiştirme

Cihaz ilk kez açıldığında cihazın dili seçilir.

1. Listedenden bir dil seçmek için ▲ veya ▼ tuşunu kullanın.

2. ✓ tuşuyla onaylayın. Ölçüm ekranı DATA OUTPUT (VERİ ÇIKIŞI) ögesini gösterir.
3. Bir yazıcı veya bilgisayar bağlı değilse Deactivated (Devre dışı bırak) ögesini seçin ve onaylayın. Veri Çıkışı hakkında daha fazla bilgi için bkz. [Veri çıkışı seçme](#) sayfa 317.

## Standart çalıştırma

### Kalibrasyon

#### ⚠ UYARI

Kimyasal maddelere maruz kalma tehlikesi. Laboratuvar güvenlik talimatlarına uyun ve kullanılan kimyasallara uyumlu personel koruyucu ekipmanın tamamını giyin. Mevcut güvenlik protokolü malzeme güvenlik bilgi formlarını (MSDS) okuyun.

#### Kalibrasyon ayarları

Kalibrasyon ayarlarının içinde, Kalibrasyon türü, Kalibrasyon sıklığı ve Ekran seçenekleri bulunur.

1. CALIBRATION (KALİBRASYON) ögesini seçmek için ana menüden ▲ veya ▼ tuşunu kullanın. Onaylayın.
2. Kalibrasyon menüsüne girmek için ▲ tuşunu kullanın.
3. Aşağıdaki seçenekleri seçmek için ▲ veya ▼ tuşunu kullanın:

Seçenek	Açıklama
<b>Stability C. (Stabilite C.):</b>	Criterion by stability (Stabiliteye göre kriter)—Fast (Hızlı), Standard (Standart) veya Strict (Hassas) ögesini seçin.
<b>Calibration type (Kalibrasyon türü)</b>	Calibration type (Kalibrasyon türü)—Technical buffers (Teknik tamponlar), DIN19266 Buffers (DIN19266 Tamponlar), User Buffers (Kullanıcı Tamponları), To a X value (Bir X değerine), data introduction (veri girişi) veya Theoretical calibration (Teorik kalibrasyon) ögelerini seçin. Daha fazla bilgi için bkz. <a href="#">Calibration types</a> .

Seçenek	Açıklama
<b>Cal. frequency (Kalibrasyon sıklığı)</b>	Calibration reminder (Kalibrasyon hatırlatıcısı)—0–7 gün arasında ayarlanabilir (varsayılan günlük). Ekranda yeni kalibrasyon için kalan zaman gösterilir. Daha fazla bilgi için bkz. <a href="#">Kalibrasyon hatırlatıcısı ayarlama</a> sayfa 316.
<b>Display mV (mV göster)</b>	Display mV (mV göster)—mV değerinin gösterilmesine ilişkin YES (EVET) veya NO (HAYIR) ögesini seçin.
<b>Standard 220 mV (Standart 220 mV)</b>	Standard 220 mV (Standart 220 mV)—220 mV'lik standart çözeltiyle kalibre edin
<b>To a X value (Bir X değerine)</b>	To a X value (Bir X değerine)—spesifik standart bir çözelti kullanın. Kalibrasyon esnasında değeri ayarlayın.
<b>Data introduction (Veri girişi)</b>	Data introduction (Veri girişi)—kompanzasyon değerini girin
<b>Factory adjust (Fabrika ayarı)</b>	Factory adjust (Fabrika ayarı)—kompanzasyon değerini girin

#### Kalibrasyon türleri

Farklı kalibrasyon türleri seçilebilir.

1. CALIBRATION (KALİBRASYON) ögesini seçmek için ana menüden ▲ veya ▼ tuşunu kullanın. Onaylayın.
2. Kalibrasyon menüsüne girmek için ▲ tuşunu kullanın.
3. Calibration type (Kalibrasyon türü) ögesini seçmek için ▲ veya ▼ tuşunu kullanın.

Seçenek	Açıklama
<b>Technical buffers (Teknik tamponlar)</b>	25 °C (77 °F) sıcaklıkta pH 2.00, 4.01, 7.00, 9.21 ve 10.01
<b>DIN19266 Buffers (DIN19266 Tamponları)</b>	pH 1.679, 4.006, 6.865, 7.000, 9.180, 10.012 ve 12.454

Seçenek	Açıklama
<b>User Buffers (Kullanıcı Tamponları)</b>	Teknik veya DIN 19266 tampon kullanılmadığında seçilir. Spesifik tampon setlerinin çeşitli sıcaklıklardaki pH değerleri için bkz. <a href="#">Teknik tampon çözeltiler (DIN 19267)</a> sayfa 325.
<b>Calibration to a X value (Bir X değerine kalibrasyon)</b>	Ölçülen pH değerini manuel olarak ayarlamak için.
<b>Data introduction (Veri girişi)</b>	Manuel prob sabiti girişi
<b>Theoretical calibration (Teorik kalibrasyon)</b>	Prob kalibrasyon verileri 25 °C (77 °F) değerinde değişir.

## Kalibrasyon prosedürü

Bu prosedür sıvı kalibrasyon çözeltileriyle genel kullanım içindir. Ek bilgi için her proba verilen belgelere başvurun.

**Not:** Çözeltiler kalibrasyon esnasında karıştırılmalıdır. Karıştırma ayarları hakkında daha fazla bilgi için, bkz. [Karıştırma ayarlarını değiştirme](#) sayfa 319.

1. Tamponları ya da kalibrasyon çözeltilerini etiketlenmiş kalibrasyon kaplarına koyun.
2. CALIBRATION (KALİBRASYON) parametresini seçmek için ana menüden ▲ veya ▼ ve ◀ ve ▶ tuşlarını kullanın. Onaylayın.
3. Gerekirse, Operator ID (Kullanıcı Adı) öğesini seçin ve onaylayın.
4. Probu deiyonize su ile durulayın ve probu ilk kalibrasyon kabının içine koyun. Membranda hava kabarcığı bulunmadığından emin olun.
5. Kalibrasyonu Başlatmak için ✓ tuşuna basın.
6. İlk kalibrasyon çözeltisini ölçmek için ✓ tuşuna basın. Bir sonraki kalibrasyon çözeltisi gösterilir.
7. Probu deiyonize su ile durulayın ve probu ikinci kalibrasyon beherinin içine koyun. Membranda hava kabarcığı bulunmadığından emin olun.
8. İkinci kalibrasyon çözeltisini ölçmek için ✓ tuşuna basın. Bir sonraki kalibrasyon çözeltisi gösterilir.
9. Probu deiyonize su ile durulayın ve probu üçüncü kalibrasyon beherinin içine koyun. Membranda hava kabarcığı bulunmadığından emin olun.

10. Üçüncü kalibrasyon çözeltisini ölçmek için ✓ tuşuna basın. Kalibrasyon iyi durumdayken ekranda kısa süreliğine Calibration OK (Kalibrasyon Tamam) yazısı belirir ve sonra ana menüye geçer. **Not:** Yazıcı bağlandığında, yazıcı menüsü açılır ve böylece sonuç yazdırılabilir.

## Kalibrasyon verisini görüntüleme

En son yapılan kalibrasyonun verileri görüntülenebilir.

1. DATA LOGGER (VERİ KAYDEDİCİ) öğesini seçmek için ana menüden ▲ veya ▼ tuşunu kullanın. Onaylayın.
2. Display data (Veri göster) öğesini seçin.
3. Calibration data (Kalibrasyon verisi) öğesini seçin ve ✓ tuşuyla onaylayın. Son kalibrasyon verisi gösterilir.
  - pH-eğim ve ofset değerleri, sapma (% halinde) ve kalibrasyon sıcaklığı ile değişimli olarak gösterilir.
  - ORP-ölçülen mV değeri ve kalibrasyon sıcaklığı gösterilir.
  - İletkenlik-hücre sabiti ve her bir standart için kalibrasyon sıcaklığı gösterilir.

## Kalibrasyon hatırlatıcısı ayarlama

Kalibrasyon hatırlatıcısı, ila 0-23 saat veya 1-7 gün (varsayılan 1 gündür) arasında ayarlanabilir. Ekranda yeni kalibrasyon için kalan zaman gösterilir.

**Not:** 0 gün seçildiğinde, kalibrasyon hatırlatıcısı kapatılır.

1. CALIBRATION (KALİBRASYON) öğesini seçmek için ana menüden ▲ veya ▼ tuşunu kullanın. Onaylayın.
2. Kalibrasyon menüsüne girmek için ▲ tuşunu kullanın.
3. Cal. frequency (Kalibrasyon sıklığı) öğesini seçmek için ▲ veya ▼ tuşunu kullanın ve onaylayın.
4. Bir sonraki adıma geçmek için ◀ ve ▶ tuşlarını; bir değer değiştirmek için ▲ veya ▼ tuşunu kullanın. Onaylayın. Kalibrasyonu başlatmak için ✓ tuşuna basın.



## Numune ölçümleri

Numune ölçümü yapmak için her probun kendine özgü hazırlama basamakları ve prosedürleri vardır.

1. MEASURE (ÖLÇÜM) ögesini seçmek için ana menüden ▲ veya ▼ ve ◀ ve ▶ tuşunu kullanın. Onaylayın.
2. Aşağıdaki ayarları değiştirmek için ▲ tuşunu kullanın. Her girişi onaylayın.

Seçenek	Açıklama
<b>Çözünürlük</b>	Çözünürlüğü seçin: 1, 0,1, 0,01 (varsayılan) veya 0,001
<b>Ölçüm</b>	Stability (Stabilite)—By stability (Stabiliteye göre) Kriterini seçin: Hızlı (6 s'de değişim < 0,002 pH), Standart (6 s'de değişim < 0,01 pH) veya Hassas (6 s'de değişim < 0,002 pH). In continuous (Sürekli)—In continuous Acquis. interval (Sürekli Edinim aralığı) (veri depolama veya veri yazdırma) için zaman aralığını girin. By time (Zamana göre)—veri depolama ve veri yazdırma için zaman aralığını girin.
<b>Display mV (mV göster)</b>	Display mV (mV göster)—mV değerinin gösterilmesine ilişkin YES (EVET) veya NO (HAYIR) ögesini seçin.
<b>Sınırlar</b>	Limits (Sınırlar)—YES (EVET) veya NO (HAYIR) ögesini seçin. YES (EVET): Üst ve alt sınırları girin. Ölçüm, sınırın dışında olduğunda sesli bir uyarı verilir. Rapor çıktısı, ölçüm sınırının dışında olduğunda ölçülen değerlerin yanında bir A gösterir.
<b>İzopotansiyel</b>	Isopotential (İzopotansiyel)—Data introduction (Veri girişi) kısmında Isopotential pH value (İzopotansiyel pH değeri) ögesini değiştirin. Probu yeniden kalibre etmek için Calculate (Hesapla) ögesini seçin.

3. Ölçümü başlatmak için ✓ tuşuna basın.

**Not:** Ölçüm 120 saniye geçtikten sonra stabil olmazsa, ölçüm cihazı otomatik olarak sürekli ölçüm moduna geçer.

## Gelişmiş çalışma

### Ölçüm birimlerini değiştirme

Ölçüm birimleri, her kanal için ayrı ayrı değiştirilebilir.

1. SYSTEM (SİSTEM) ögesini seçmek için ana menüden ▲ veya ▼ tuşunu kullanın. Onaylayın.
2. Ölçüm birimlerini seçmek için ▲ veya ▼ tuşunu kullanın ve onaylayın.
3. Channel 1 (Kanal 1) veya Channel 2 (Kanal 2) ögesini seçin ve onaylayın.
4. ORP (mV), pH veya ISE ögesini seçin ve onaylayın.

### Numune ismi kullanılması

Numune ismi okunan değerleri belirli bir numune konumuyla ilişkilendirmek için kullanılır. Atanırsa, saklanan verilerde bu isim bulunur.

1. SYSTEM (SİSTEM) ögesini seçmek için ana menüden ▲ veya ▼ tuşunu kullanın. Onaylayın.
2. Numune İsmi seçmek için ▲ veya ▼ tuşunu kullanın ve onaylayın.
3. Seçmek için ▲ veya ▼ tuşunu kullanın

Seçenek	Açıklama
<b>Otomatik</b>	Her numuneye otomatik olarak bir ardışık sayı atanacaktır.
<b>Manuel</b>	Bir ölçüm yapmadan önce numune ismini (maksimum 15 karakter) girmek için bir klavye veya bir barkod tarayıcı gereklidir.

### Veri çıkışı seçme

Veri, bir yazıcı veya bir bilgisayarda depolanabilir veya bunlara aktarılabilir.

1. SYSTEM (SİSTEM) ögesini seçmek için ana menüden ▲ veya ▼ tuşunu kullanın. Onaylayın.

2. Data Output (Veri Çıkışı) ögesini seçmek için ▲ veya ▼ tuşunu kullanın ve onaylayın.
3. Seçmek için ▲ veya ▼ tuşunu kullanın

Seçenek	Açıklama
Devre Dışı	Herhangi bir yazıcı veya bilgisayar bağlı değilse Deactivated (Devre Dışı) ögesini seçin.
Yazıcı için	Dot matrix (Nokta vuruşlu) yazıcı veya Thermal (Termal) yazıcıyı seçin.
Bilgisayar için	Terminal, LabCom veya LabCom Easy'i seçin. LabCom Yazılımı, bir bilgisayardan birkaç modülü, pH ve iletkenlik ölçümlerini, otomatik bürетleri, Örnekleyicileri ve diğerlerini kontrol eder. LabCom Easy yazılımı, bir bilgisayardan pH ve iletkenlik verilerini alır.

## Tarihi ve saati değiştirme

Tarih ve saat, Date / Time (Tarih / Saat) menüsünden değiştirilebilir.

1. SYSTEM (SİSTEM) ögesini seçmek için ana menüden ▲ veya ▼ tuşunu kullanın. Onaylayın.
2. Date / Time (Tarih / Saat) ögesini seçmek için ▲ veya ▼ tuşunu kullanın ve onaylayın.
3. Bir sonraki adıma geçmek için ◀ ve ▶ tuşlarını; bir değer değiştirmek için ▲ veya ▼ tuşunu kullanın. Onaylayın. Ekranda geçerli tarih ve saat gösterilecektir.

## Ekran kontrastının ayarlanması

1. SYSTEM (SİSTEM) ögesini seçmek için ana menüden ▲ veya ▼ tuşunu kullanın. Onaylayın.
2. Display contrast (Ekran kontrastı) ögesini seçmek için ▲ veya ▼ tuşunu kullanın ve onaylayın.
3. Ekranın kontrastını ayarlamak için ◀ ve ▶ tuşlarını kullanın ve onaylayın.

## Sıcaklığı ayarlama

Sıcaklık ölçümü, doğruluk oranını arttırmak amacıyla 25 °C (77 °F) ve/veya 85 °C (185 °F) olarak ayarlanabilir.

1. Probu ve referans termometresini içinde yaklaşık 25 °C'de su bulunan bir kaba koyun ve sıcaklığın sabitlenmesini sağlayın.
2. Ölçüm cihazıyla referans termometresinin ölçtüğü sıcaklıkları karşılaştırın. Aradaki fark ölçüm cihazının ayar değeridir. Örneğin: referans termometresi: 24,5 °C; ölçüm cihazı: 24,3 °C. Ayar değeri: 0,2 °C.
3. 25 °C değeri için ayar değeri girin:
  - a. SYSTEM (SİSTEM) ögesini seçmek için ana menüden ▲ veya ▼ tuşunu kullanın. Onaylayın.
  - b. Readjust temp. (Sıcaklığı yeniden ayarlama) ögesini seçmek için ▲ veya ▼ tuşunu kullanın ve onaylayın.
  - c. Channel 1 (Kanal 1) veya Channel 2 (Kanal 2) ögesini seçin ve onaylayın. Kanal 1 sıcaklığı, iletkenlik hücresi ile ölçülürken kanal 2, pH probu ile ölçülür. İletkenlik hücresi bağlı değilse, sıcaklık değeri manuel olarak girilmelidir veya kanal 2'de ölçülen sıcaklık da ölçüm cihazında kullanılabilir.
  - d. 25 °C değerini seçmek için ▲ veya ▼ tuşunu kullanın ve onaylayın.
  - e. 25 °C için ayar değeri girmek için ok tuşlarını kullanın. Onaylayın.
4. Probu ve referans termometresini içinde yaklaşık 85 °C'de su bulunan bir kaba koyun ve sıcaklığın sabitlenmesini sağlayın.
5. Ölçüm cihazıyla referans termometresinin ölçtüğü sıcaklıkları karşılaştırın. Aradaki fark ölçüm cihazının ayar değeridir.
  - a. 85 °C değerini seçmek için ▲ veya ▼ tuşunu kullanın ve onaylayın.
  - b. 85 °C için ayar değeri girmek için ok tuşlarını kullanın. Onaylayın.
  - c. Save changes (Değişiklikleri kaydet) ögesini seçin ve onaylayın.

## Karıştırma ayarlarını değiştirme

Manyetik karıştırıcı açılabilir ve Stirring (Karıştırma) menüsünden karıştırma hızı değiştirilebilir.

1. SYSTEM (SİSTEM) öğesini seçmek için ana menüden ▲ veya ▼ tuşunu kullanın. Onaylayın.
2. Stirring (Karıştırma) öğesini seçmek için ▲ veya ▼ tuşunu kullanın ve onaylayın.
3. Karıştırıcıyı açmak/kapatmak için ✓ tuşuna basın.
4. Karıştırıcı açıldığında, karıştırma hızını % olarak değiştirmek için ▲ veya ▼ tuşunu kullanın.

**Not:** Kalibrasyon veya ölçüm esnasında karıştırma hızını değiştirmek için ▲ veya ▼ tuşunu kullanın.

## Karıştırıcıyı açma veya kapatma

Karıştırıcı 1 (Stirrer 1), Kanal 1 ve 2 (Channel 1 ve 2) ile çalışır. İkinci bir karıştırıcı (Stirrer 2) Kanal 2'ye (Channel 2) bağlanabilir. Karıştırıcı 2'nin etkinleştirilmesi için aşağıdaki adımlara başvurun.

1. SYSTEM (SİSTEM) öğesini seçmek için ana menüden ▲ veya ▼ tuşunu kullanın. ✓ tuşuyla onaylayın.
2. Stirrer N.2 (Karıştırıcı no 2) öğesini seçmek için ▲ veya ▼ tuşlarını kullanın ve ✓ ile onaylayın.
3. Karıştırıcı 2'yi açmak amacıyla YES (EVET) öğesini seçmek için ▲ veya ▼ tuşlarını kullanın.

**Not:** Karıştırıcı 2'yi kapatmak için NO (HAYIR) öğesini seçin.

## Sıcaklık birimlerini değiştirme

Sıcaklık birimleri Celsius veya Fahrenheit olarak değiştirilebilir.

1. SYSTEM (SİSTEM) öğesini seçmek için ana menüden ▲ veya ▼ tuşunu kullanın. Onaylayın.
2. Temperature units (Sıcaklık birimleri) öğesini seçmek için ▲ veya ▼ tuşunu kullanın ve onaylayın.
3. Celsius veya Fahrenheit arasında seçim yapmak için ▲ veya ▼ tuşunu kullanın ve onaylayın.

## Veri kaydedici

### Verileri görüntüleme

Verileri görüntüleme kayıtları Ölçüm verilerini, Elektrot raporunu ve Kalibrasyon verilerini içerir. Depolanan veriler bir yazıcıya veya bir bilgisayara gönderilebilir. Veri kaydı dolduğunda (400 veri noktası) ve yeni bir veri noktası eklendiğinde en eski veri noktası silinir.

1. Channel 1 (Kanal 1) veya Channel 2 (Kanal 2) öğesini seçmek için ◀ ve ▶ tuşunu kullanın ve onaylayın.
2. SYSTEM (SİSTEM) öğesini seçmek için ana menüden ▲ veya ▼ tuşunu kullanın. Onaylayın.
3. DATA LOGGER (VERİ KAYDEDİCİ) öğesini seçmek için ▲ veya ▼ tuşunu kullanın ve onaylayın.
4. Display data (Veri göster) öğesini seçmek için ▲ veya ▼ tuşunu kullanın ve onaylayın.
5. Seçmek için ▲ veya ▼ tuşunu kullanın.

Seçenek	Açıklama
Ölçüm verileri	Ölçüm verileri—her numune ölçüldüğünde otomatik olarak kaydedilir
Elektrot raporu	Elektrot raporu—elektrot geçmişi ve ölçüm koşulları otomatik olarak kaydedilir
Kalibrasyon verileri	Kalibrasyon verileri—mevcut kalibrasyonu otomatik olarak kaydedilir

### Verileri silme

Bir yazıcıya veya bilgisayara gönderilmiş verileri ortadan kaldırmak için tüm ölçüm verileri veya elektrot rapor kayıtları silinebilir.

1. SYSTEM (SİSTEM) öğesini seçmek için ana menüden ▲ veya ▼ tuşunu kullanın. Onaylayın.
2. DATA LOGGER (VERİ KAYDEDİCİ) öğesini seçmek için ▲ veya ▼ tuşunu kullanın ve onaylayın.

3. Erase (Sil) ögesini seçmek için ▲ veya ▼ tuşunu kullanın ve onaylayın.
4. Measurement data (Ölçüm verileri) veya Electrode report (Elektrot raporu) ögesini seçmek için ▲ veya ▼ tuşunu kullanın ve onaylayın. Verileri silmek için tekrar onaylayın. Tüm kayıtlar bir defada silinir.

## Bir yazıcıya veya bir bilgisayara veri gönderme

### BILGI

Print (Yazdır) menüsünün kullanılabilmesi için öncelikle veri çıkışının (yazıcı veya bilgisayar) seçilmesi gerekir (Bkz. [Veri çıkışını seçme](#) sayfa 317).

**Not:** Rapor çıktısı tipini seçmek için, bkz. [Rapor Çıktısı](#) sayfa 320.

1. SYSTEM (SİSTEM) ögesini seçmek için ana menüden ▲ veya ▼ tuşunu kullanın. Onaylayın.
2. DATA LOGGER (VERİ KAYDEDİCİ) ögesini seçmek için ▲ veya ▼ tuşunu kullanın ve onaylayın.
3. Print (Yazdır) ögesini seçmek için ▲ veya ▼ tuşlarını kullanın ve onaylayın. Veriyi yazdırmak için şu seçeneklerden birini seçin ve ✓ ile onaylayın: Measurement data (Ölçüm verileri), Electrode data (Elektrot verileri), Calibration data (Kalibrasyon verileri), Calibration report (Kalibrasyon raporu) veya Instrument condit (Alet durumu).

## Rapor Çıktısı

### BILGI

Type of report (Rapor türü) menüsünün kullanılabilmesi için öncelikle Veri çıkışının (yazıcı veya bilgisayar) seçilmesi gerekir (Bkz. [Veri çıkışını seçme](#) sayfa 317).

Bir yazıcı veya bilgisayar bağlandığında, farklı rapor türleri seçilebilir.

1. SYSTEM (SİSTEM) ögesini seçmek için ana menüden ▲ veya ▼ tuşunu kullanın. Onaylayın.
2. Type of report (Rapor türü) seçmek için ▲ veya ▼ tuşunu kullanın ve onaylayın.

3. Bir yazıcı veya bilgisayar Terminal ile bağlı olduğunda, seçmek için ▲ veya ▼ tuşunu kullanın.

### Seçenek Açıklama

**Azaltılmış** Çıktı formatı olarak Several sample (Birden çok numune) veya One Sample (Bir numune) ögesini seçin

**Standart** Çıktı formatı olarak Several sample (Birden çok numune) veya One Sample (Bir numune) ögesini seçin. Several (Birden çok) ögesini seçin: **Kullanıcılar:** Kullanıcı adı, yazdırılan raporda görünür (17 karakter). **Başlık:** Şirket adı başlık olarak eklenebilir (40 karakter) ve yazdırılan raporda görünür. **Sensörü tanımla:** Sensör modeli ve sensör seri numarası eklenebilir ve yazdırılan raporda görünür.

**GLP** Çıktı formatı olarak Several sample (Birden çok numune) veya One Sample (Bir numune) ögesini seçin. Several (Birden çok) ögesini seçin: **Kullanıcılar:** Kullanıcı adı, yazdırılan raporda görünür (17 karakter). **Başlık:** Şirket adı başlık olarak eklenebilir (40 karakter) ve yazdırılan raporda görünür. **Sensörü tanımla:** Sensör modeli ve sensör seri numarası eklenebilir ve yazdırılan raporda görünür.

4. Bir bilgisayar bağlandığında ve LabCom Easy (daha fazla ilgi için bkz. [Veri çıkışını seçme](#) sayfa 317) ögesi seçildiğinde, seçmek için ▲ veya ▼ tuşunu kullanın.

### Seçenek Açıklama

**Kullanıcılar** Kullanıcı adı, yazdırılan raporda görünür (17 karakter).

**Sensörü tanımla** Sensör modeli ve sensör seri numarası eklenebilir ve yazdırılan raporda görünür.

## Bakım

### ⚠ UYARI

Birden fazla tehlike. Cihazı bakım veya servis için sökmeyin. Dahili bileşenlerin temizlenmesi ya da onarılması gerektiğinde üreticimize başvurun.

## ⚠ DİKKAT

Kişisel yaralanma tehlikesi. Kullanım kılavuzunun bu bölümünde açıklanan görevler ancak yetkili personel tarafından gerçekleştirilmelidir.

### Cihazın temizlenmesi

## BİLGİ

Cihazı, ekranını ve aksesuarlarını temizlemek için kesinlikle terebentin, aseton veya benzeri temizlik malzemelerini kullanmayın.

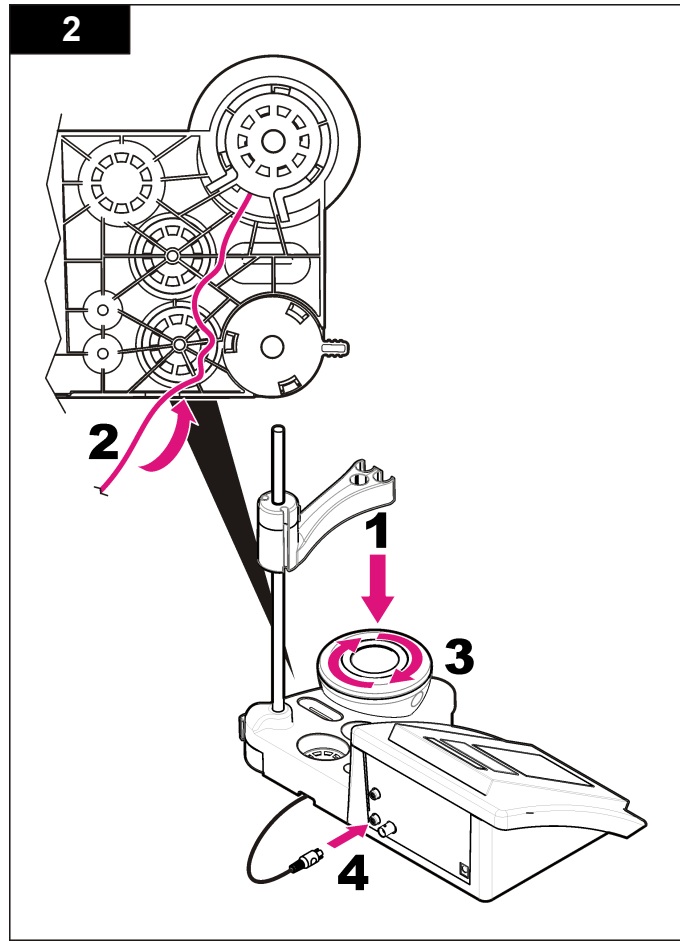
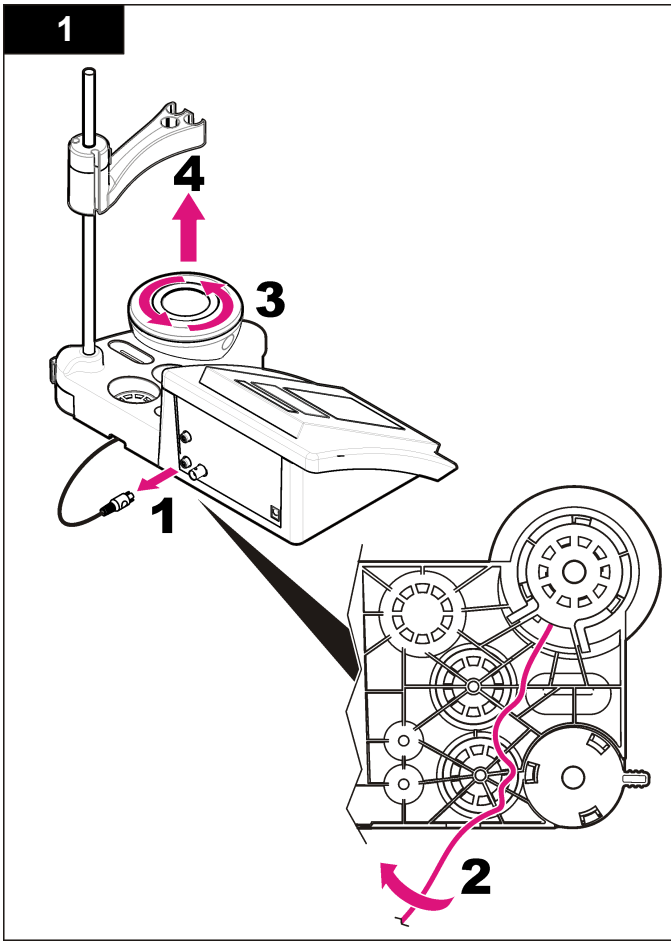
Cihazın dışını nemli bezle ve hafif sabunlu bir çözeltiyle temizleyin.

### Probu temizleme

Gerekli olduğunda probu temizleyin. Temizleme hakkında daha fazla bilgi için bkz. [Sorun giderme](#) sayfa 323. Prob bakımı hakkında bilgi almak için prob ile verilen belgelere başvurun.

### Manyetik karıştırıcıyı değiştirme

Manyetik karıştırıcı çalışmazsa karıştırıcıyı değiştirmek için adımları uygulayın.



## Sorun giderme

Sık karşılaşılan sorun mesajları ya da belirtileri, olası nedenleri ve düzeltici işlemleri için aşağıdaki tabloya bakın.

**Tablo 1 Kalibrasyon uyarıları ve hataları**

Hata/Uyarı	Çözüm
Asymmetry > 58 mV (Asimetri > 58 mV)	Slope out of range (accepted values $\pm 58$ mV) (Eğim aralık dışında (kabul edilen değerler $\pm 58$ mV)). Yeniden kalibre edin. Yeni bir prob bağlayın.
Buffer or electrode in poor conditions (Tampon veya elektrot kötü durumda).	Probu inceleyin: Probu temizleyin (daha fazla bilgi için, bkz. <a href="#">Probu temizleme</a> sayfa 321); membranda hava kabarcığı olmadığından emin olun. Probu termometreyi salları gibi sallayın; sorunun probda mı, yoksa ölçüm cihazında mı olduğunu anlamak için farklı bir prob bağlayın.  Tampon çözeltiyi inceleyin: Kullanılan tamponun, yapılandırılarda belirtilen tamponla eşleştikten emin olun; yapılandırılarda yer alan sıcaklık spesifikasyonundan emin olun; yeni tampon çözeltisi kullanın.
BUFFER NOT RECOGNIZED (TAMPON TANINMADI)	Yeniden kalibre edin.  Probu inceleyin: Probu temizleyin (daha fazla bilgi için, bkz. <a href="#">Probu temizleme</a> sayfa 321); membranda hava kabarcığı olmadığından emin olun. Probu termometreyi salları gibi sallayın; sorunun probda mı, yoksa ölçüm cihazında mı olduğunu anlamak için farklı bir prob bağlayın.
Hassasiyet (a) < % 70	Tampon çözeltiyi inceleyin: Kullanılan tamponun, yapılandırılarda belirtilen tamponla eşleştikten emin olun; yapılandırılarda yer alan sıcaklık spesifikasyonundan emin olun; yeni tampon çözeltisi kullanın.

**Tablo 1 Kalibrasyon uyarıları ve hataları (devamı)**

Hata/Uyarı	Çözüm
UNSTABLE READING (STABİL OLMAYAN OKUMA)  Time t> 100 s (Zaman t> 100 s)	Yeniden kalibre edin.  Probu inceleyin: Probu temizleyin (daha fazla bilgi için, bkz. <a href="#">Probu temizleme</a> sayfa 321); membranda hava kabarcığı olmadığından emin olun. Probu termometreyi salları gibi sallayın; sorunun probda mı, yoksa ölçüm cihazında mı olduğunu anlamak için farklı bir prob bağlayın.  Membranın ve diyaframın, numuneye doğru şekilde batırıldığından emin olun.
Check temperature (Sıcaklığı kontrol edin)  Check electrode (Elektrodu kontrol edin)	Konfigürasyondaki sıcaklık koşulundan emin olun.  Probu inceleyin: Probu temizleyin (daha fazla bilgi için, bkz. <a href="#">Probu temizleme</a> sayfa 321); membranda hava kabarcığı olmadığından emin olun. Probu termometreyi salları gibi sallayın; sorunun probda mı, yoksa ölçüm cihazında mı olduğunu anlamak için farklı bir prob bağlayın.
Electrode in poor conditions (Elektrot kötü durumda).	Probu inceleyin: Probu temizleyin (daha fazla bilgi için, bkz. <a href="#">Probu temizleme</a> sayfa 321); membranda hava kabarcığı olmadığından emin olun. Probu termometreyi salları gibi sallayın; sorunun probda mı, yoksa ölçüm cihazında mı olduğunu anlamak için farklı bir prob bağlayın.
Check the electrode (Elektrodu kontrol edin)	
SAME BUFFERS (AYNI TAMPONLAR)	Yeniden kalibre edin.  Probu inceleyin: Probu temizleyin (daha fazla bilgi için, bkz. <a href="#">Probu temizleme</a> sayfa 321); membranda hava kabarcığı olmadığından emin olun. Probu termometreyi salları gibi sallayın; sorunun probda mı, yoksa ölçüm cihazında mı olduğunu anlamak için farklı bir prob bağlayın.  Tampon çözeltiyi inceleyin: Yeni tampon çözeltisi kullanın.

**Tablo 2 Ölçüm uyarıları ve hataları**

Hata/Uyarı	Çözüm
pH 12,78 19°C	Yeniden kalibre edin
pH out of range (pH aralığının dışında)	Probu inceleyin: Probu temizleyin (daha fazla bilgi için, bkz. <a href="#">Probu temizleme</a> sayfa 321); membranda hava kabarcığı olmadığından emin olun. Probu termometreyi salları gibi sallayın; sorunun probda mı, yoksa ölçüm cihazında mı olduğunu anlamak için farklı bir prob bağlayın.
Temp out of range °C (Sıcaklık aralığının dışında)	Sıcaklık sensörünü inceleyin. Sorunun probda mı yoksa cihazda mı olduğunu anlamak için farklı bir probu takın.
Time > 60 s (Zaman > 60 s)	Membranın ve diyaframın, numuneye doğru şekilde batırıldığından emin olun.
Time > 150 s (Zaman > 150 s)	Sıcaklığı inceleyin.
Time > 300 s (Zaman > 300 s)	Probu inceleyin: Probu temizleyin (daha fazla bilgi için, bkz. <a href="#">Probu temizleme</a> sayfa 321); membranda hava kabarcığı olmadığından emin olun. Probu termometreyi salları gibi sallayın; sorunun probda mı, yoksa ölçüm cihazında mı olduğunu anlamak için farklı bir prob bağlayın.
10.389mg/L >>>>> 00012 00:13	ISE ölçümü: Ölçülen değer, kalibrasyonda kullanılan en yüksek standarttan daha büyük. Yeniden ölçün.
0.886mg/L <<<<<< 00018 00:11	ISE ölçümü: Ölçülen değer, kalibrasyonda kullanılan en düşük standarttan daha düşük. Yeniden ölçün.

## Yedek Parçalar ve Aksesuarlar

**Not:** Bazı satış bölgelerinde Ürün ve Madde numaraları değişebilir. İrtibat bilgileri için uygun distribütörle bağlantı kurun veya şirketin web sitesine başvurun.

## Yedek parçalar

Açıklama	Öge no.
sensION+ PH3 Lab pH ölçüm cihazı, aksesuarlar dahil, prob hariç	LPV2000.98.0002
sensION+ PH31 Lab pH-ölçüm cihazı, GLP, aksesuarlar dahil, prob hariç	LPV2100.98.0002
sensION+ MM340 Lab pH ve İyon ölçüm cihazı, GLP, 2 kanallı, aksesuarlar dahil, prob hariç	LPV2200.98.0002
sensION+ EC7 Lab iletkenlik ölçüm cihazı, aksesuarlar dahil, prob hariç	LPV3010.98.0002
sensION+ EC71 Lab iletkenlik ölçüm cihazı, GLP, aksesuarlar dahil, prob hariç	LPV3110.98.0002
sensION+ MM374, 2 kanallı Lab ölçüm cihazı, GLP, aksesuarlar dahil, prob hariç	LPV4110.98.0002

## Sarf malzemeler

Açıklama	Öge no.
pH tampon çözeltisi 4.01, 125 mL	LZW9460.99
pH tampon çözeltisi 7.00, 125 mL	LZW9461.98
pH tampon çözeltisi 10.01, 125 mL	LZW9470.99
pH tampon çözeltisi 4.01, 250 mL	LZW9463.99
pH tampon çözeltisi 7.00, 250 mL	LZW9464.98
pH tampon çözeltisi 10.01, 250 mL	LZW9471.99
pH tampon çözeltisi 4.01, 1000 mL	LZW9466.99
pH tampon çözeltisi 7.00, 1000 mL	LZW9467.98
pH tampon çözeltisi 10.01, 1000 mL	LZW9472.99
Elektrolit çözelti (KCl 3M), 125 mL	LZW9510.99
Elektrolit çözelti (KCl 3M), 250 mL	LZW9500.99



## Yedek Parçalar ve Aksesuarlar (devamı)

Açıklama	Öge no.
Elektrolit çözelti (KCl 3M), 50 mL	LZW9509.99
Elektrolit çözelti 0,1 M, 125 mL	LZW9901.99
Enzim çözeltisi	2964349
Pepsin Temizleme Çözeltisi	2964349
Elektrot temizleme çözeltisi	2965249
0,1 N HCl çözeltisi	1481253

## Aksesuarlar

Açıklama	Öge no.
Termal yazıcı, RS232, sensION+ masaüstü için	LZW8201.99
LZW8201 yazıcı için termal kağıt, 5 rulolu paket	LZW9117.99
Nokta vuruşlu yazıcı, R232, sensION+ cihazları için	LZW8200.99
LZW8200 yazıcı için standart kağıt, 10 rulolu paket	LZW9000.99
LZW8200 yazıcı için şerit, 3 ünite	LZW9001.99
LabCom Easy PC SW, sensION+ GLP için, CD, kablo, USB adaptörü	LZW8997.99
LabCom PC SW, sensION+ GLP için, CD, kablo, USB adaptörü	LZW8999.99
RS232 kablo, sensION+ masaüstü cihazları için	LZW9135.99
sensION+ masaüstü için RS232 kablo, USB adaptörlü	LZW9135USB.99
Sensör tutuculu manyetik karıştırıcı, sensION+ MM masaüstü için	LZW9319.99
masaüstü pH kalibrasyonu için 3x50 mL basılı beher	LZW9110.98
Prob tutucu (3 prob için), sensION+ masaüstü aletleri için	LZW9321.99
Üç prob için tutucu ve kelepçe	LZW9155.99

## Yedek Parçalar ve Aksesuarlar (devamı)

Açıklama	Öge no.
Pyrex cam aparat, sürekli akış ölçümleri	LZW9118.99
PP koruyucu, elektrot saklama	LZW9161.99

## Standart çözeltiler

### Teknik tampon çözeltiler (DIN 19267)

Spesifik tampon setlerinin çeşitli sıcaklıklardaki pH ve ORP (mV) değerleri için bkz. [Tablo 3](#).

Tablo 3 pH, ORP (mV) ve sıcaklık değerleri

Sıcaklık		pH					mV
°C	°F						
0	32	2,01	4,01	7,12	9,52	10,30	—
10	50	2,01	4,00	7,06	9,38	10,17	245
20	68	2,00	4,00	7,02	9,26	10,06	228
<b>25</b>	<b>77</b>	<b>2,00</b>	<b>4,01</b>	<b>7,00</b>	<b>9,21</b>	<b>10,01</b>	<b>220</b>
30	86	2,00	4,01	6,99	9,16	9,96	212
40	104	2,00	4,03	6,97	9,06	9,88	195
50	122	2,00	4,06	6,97	8,99	9,82	178
60	140	2,00	4,10	6,98	8,93	9,76	160
70	158	2,01	4,16	7,00	8,88	—	—
80	176	2,01	4,22	7,04	8,83	—	—
90	194	2,01	4,30	7,09	8,79	—	—

### Tampon çözeltiler (DIN 19266)

Spesifik tampon setlerinin çeşitli sıcaklıklardaki pH ve ORP (mV) değerleri için bkz. [Tablo 4](#).

**Tablo 4 pH, ORP (mV) ve sıcaklık deęerleri**

Sıcaklık		pH					mV	
°C	°F							
5	32	1,668	4,004	6,951	7,087	9,395	10,245	13,207
10	50	1,670	4,000	6,923	7,059	9,332	10,179	13,003
20	68	1,675	4,001	6,881	7,016	9,225	10,062	12,627
<b>25</b>	<b>77</b>	<b>1,679</b>	<b>4,006</b>	<b>6,865</b>	<b>7,000</b>	<b>9,180</b>	<b>10,012</b>	<b>12,454</b>
30	86	1,683	4,012	6,853	6,987	9,139	9,966	12,289
40	104	1,694	4,031	6,838	6,970	9,068	9,889	11,984
50	122	1,707	4,057	6,833	6,964	9,011	9,828	11,705
60	140	1,723	4,085	6,836	6,968	8,962	—	11,449
70	158	1,743	4,126	6,845	6,982	8,921	—	—
80	176	1,766	4,164	6,859	7,004	8,885	—	—
90	194	1,792	4,205	6,877	7,034	8,850	—	—

## Špecifikácie

Technické údaje podliehajú zmenám bez predchádzajúceho upozornenia.

Špecifikácia	Detaily
Rozmery	35 x 20 x 11 cm (13,78 x 7,87 x 4,33 palca)
Hmotnosť	1 100 g (2,43 libry)
Trieda krytia meracieho prístroja	IP42
Požiadavky na napájanie (externé)	100 – 240 V, 0,4 A, 47 – 63 Hz
Trieda ochrany meracieho prístroja	Trieda II
Teplota skladovania	-15 až +65 °C (5 až +149 °F)
Prevádzková teplota	0 až 40 °C (41 až 104 °F)
Prevádzková vlhkosť	< 80 % (bez kondenzácie)
Rozlíšenie	pH: 0,1/0,01/0,001, ORP: 0,1/1 mV, ISE: programovateľné, teplota: 0,1 °C (0,18 °F)
Chyba merania (± 1 číslica)	pH: ≤ 0,002, ORP: ≤ 0,2 mV, teplota: ≤ 0,2 °C (≤ 0,36 °F)
Reprodukovateľnosť (± 1 číslica)	pH: ± 0,001, ORP: ± 0,1 mV, teplota: ± 0,1 °C (± 0,18 °F)
Ukladanie údajov	330 výsledkov a posledných 9 kalibrácií
Zapojenia	2 kombinované sondy alebo sondy meracie: konektor BNC (Imp. > 10 <sup>12</sup> Ω); 2 referenčné elektródy: banánový konektor; ATC typ Pt 1000: banánový alebo telefónny konektor; magnetické miešadlo: konektor RCA; 2 magnetické miešadlá: konektor RCA
Korekcia teploty	Manuálna, teplotná sonda Pt 1000 (ATC), programovateľné izopotenciálové pH, štandardná hodnota 7,00

Špecifikácia	Detaily
1 Režim merania	Nepretržité meranie, podľa stability
Displej	Tekutý kryštál, s podsvietením, 128 x 64 bodov
Klávesnica	PET s ochrannou úpravou
Certifikáty	CE

## Všeobecné informácie

Revidované vydania sú k dispozícii na webových stránkach výrobcu.

## Bezpečnostné informácie

### POZNAMKA

Výrobca nie je zodpovedný za škody spôsobené nesprávnym alebo chybným používaním tohto zariadenia vrátane, zahŕňajúc bez obmedzenia priame, náhodné a následné poškodenia, a odmieta zodpovednosť za takéto škody v plnom rozsahu povolenom príslušným zákonom. Používateľ je výhradne zodpovedný za určenie kritického rizika pri používaní a zavedenie náležitých opatrení na ochranu procesov počas prípadnej poruchy prístroja.

Pred vybalením, nastavením alebo prevádzkou tohto zariadenia si prečítajte prosím celý návod. Venujte pozornosť všetkým výstrahám a upozorneniam na nebezpečenstvo. Zanedbanie môže mať za následok vznik vážnych zranení obsluhy alebo poškodenie zariadenia.

Ak si chcete byť istí, že ochrana tohto zariadenia nebude porušená, nepoužívajte ani nemontujte toto zariadenie iným spôsobom, ako je uvedený v tomto návode.

## Informácie o možnom nebezpečenstve

### ⚠ NEBEZPEČIE

Označuje potenciálne alebo bezprostredne nebezpečnú situáciu, ktorá, ak sa jej nezabráni, spôsobí smrť alebo vážne zranenie.

## VAROVANIE

Označuje potenciálne alebo bezprostredne nebezpečnú situáciu, ktorá, ak sa jej nezabráni, by mohla spôsobiť smrť alebo vážne zranenie.

## UPOZORNENIE



Označuje potenciálne ohrozenie s možným ľahkým alebo stredne ťažkým poranením.

## POZNAMKA

Označuje situáciu, ktorá, ak sa jej nezabráni, môže spôsobiť poškodenie prístroja. Informácie, ktoré vyžadujú zvýšenú pozornosť.

## Výstražné symboly

Prečítajte si všetky nálepky a štítky, ktoré sa nachádzajú na zariadení. Ak tak neurobíte, môže to mať za následok zranenie osôb alebo poškodenia prístroja. Ak sa symbol nachádza na prístroji, v tomto návode je vysvetlený spolu s upozornením na nebezpečenstvo.

	Tento symbol na prístroji upozorňuje na prevádzkovú alebo bezpečnostnú informáciu v príručke s pokynmi.
	Elektrické zariadenie označené týmto symbolom sa po 12. auguste 2005 nesmie likvidovať v európskych verejných systémoch likvidácie odpadov. V súlade s európskymi, miestnymi a národnými predpismi (smernica EÚ 2002/98/ES) európski používatelia elektrických zariadení teraz musia vracať staré a opotrebované zariadenia výrobcovi na bezplatnú likvidáciu, používatelovi sa neúčtujú žiadne poplatky. <b>Poznámka:</b> Pred vrátením na recykláciu, prosím, kontaktujte výrobcu alebo dodávateľa zariadenia, aby vám poskytol pokyny ako vrátiť zariadenie po ukončení jeho životnosti, elektrické príslušenstvo dodané výrobcom a všetky pomocné položky, na zabezpečenie ich správnej likvidácie.

## Prehľad výrobku

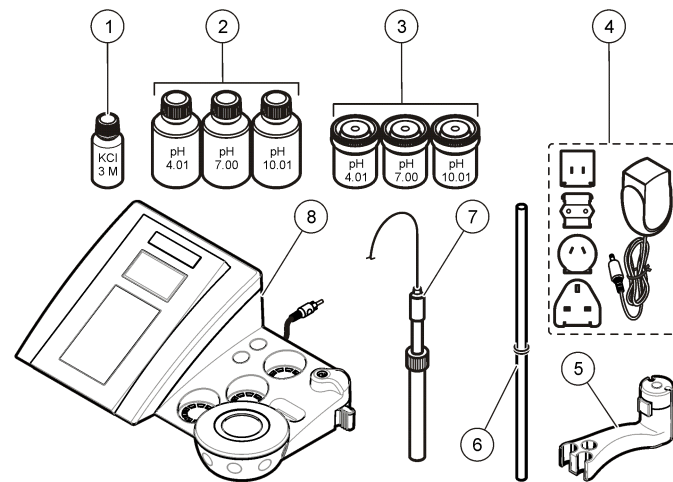
Meracie prístroje sensION™+ sa spolu so sondami používajú na meranie rôznych parametrov vody.

Merací prístroj sensION™+ MM340 má dva meracie kanály na meranie pH, ORP (mV) alebo ISE (koncentrácia) pomocou selektívnej sondy. Namerané údaje sa dajú uložiť a preniesť do tlačiarne alebo počítača.

## Komponenty výrobku

Pozrite si **Obrázok 1**, aby ste skontrolovali, či boli doručené všetky komponenty. Ak nejaká položka chýba alebo je poškodená, okamžite zavolajte výrobcu alebo predajcu.

Obrázok 1 Komponenty meracieho prístroja

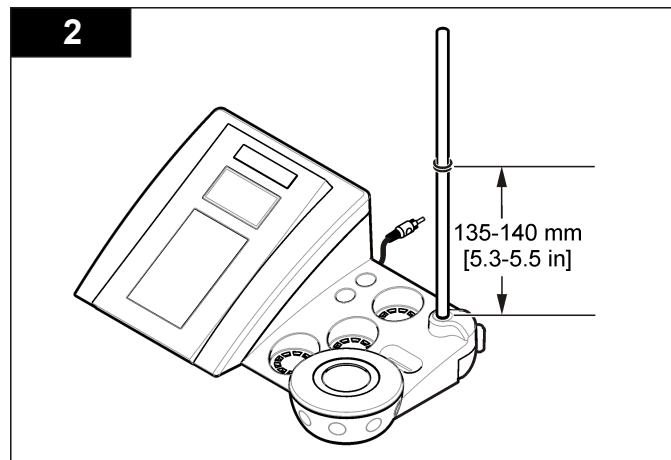
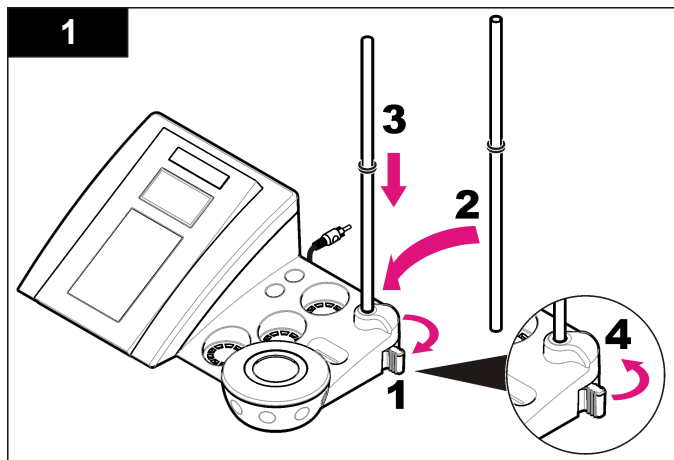


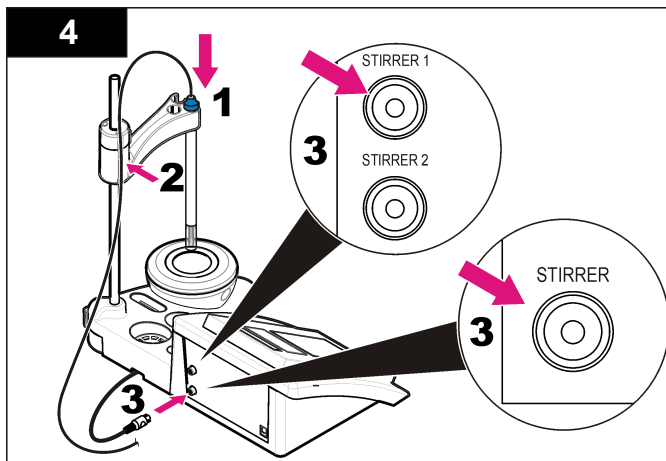
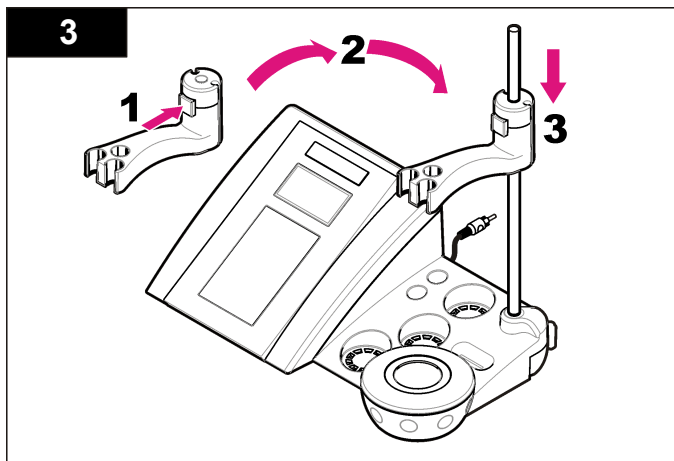
1 Elektrolyt pre sondu	5 Držiak sondy
2 Pufrovacie roztoky (pH 4,01, pH 7,00 a pH 10,01)	6 Tyčinka s krúžkom v tvare O
3 Kalibračné nádoby (s magnetickou tyčinkou vo vnútri)	7 Sonda (len v rámci súprav)
4 Zdroj napájania	8 Merací prístroj

## Montáž

### Montáž držiaka sondy.

Pomocou nasledujúcich očíslovaných krokov zmontujte držiak sondy a pripojte magnetické miešadlo.





## Zapojenie do elektrickej siete so striedavým prúdom

### ⚠ NEBEZPEČIE

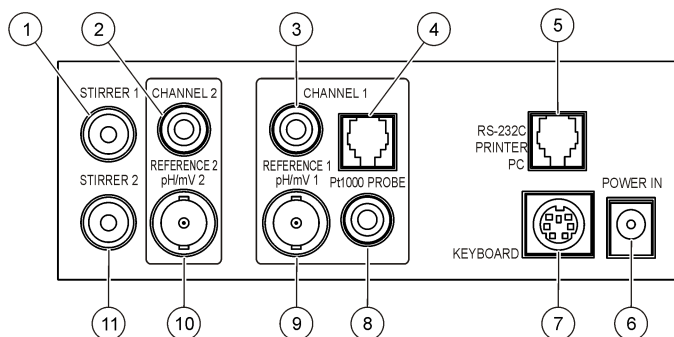


Nebezpečenstvo smrteľného úrazu elektrickým prúdom. Pri použití zariadenia vo vonkajších priestoroch alebo v priestoroch s možnosťou zvýšenej vlhkosti musí byť na pripojenie zariadenia k elektrickému rozvodu použitý prúdový chránič.

Merací prístroj sa môže napájať elektrinou pomocou univerzálneho adaptéra na napájanie z elektrickej siete.

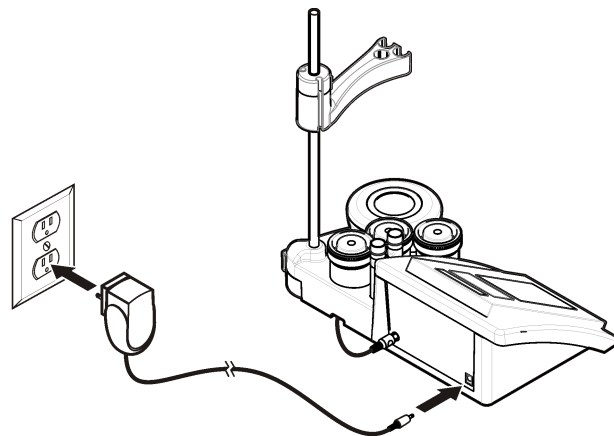
1. Zo súpravy adaptéra vyberte správnu zástrčku adaptéra pre výstup napájania.
2. Pripojte univerzálny napájací adaptér k meraciemu prístroju (Obrázok 2).
3. Zapojte univerzálny napájací adaptér do sieťovej zásuvky (Obrázok 3).
4. Zapnite merací prístroj.

**Obrázok 2 Panel s konektormi**



1 Konektor magnetického miešadla 1, kanál 1	7 Konektor mini DIN pre klávesnicu počítača
2 Konektor referenčnej elektródy (samostatných elektród), kanál 1	8 Konektor sondy teploty, kanál 2
3 Konektor referenčnej elektródy (samostatných elektród), kanál 2	9 Konektor kombinovanej elektródy pH (alebo meracej), kanál 2
4 Konektor samostatnej sondy teploty, kanál 2	10 Konektor kombinovanej elektródy pH (alebo meracej), kanál 1
5 Konektor RS-232 pre tlačiareň alebo počítač	11 Konektor magnetického miešadla 2, kanál 2
6 Zdroj napájania	

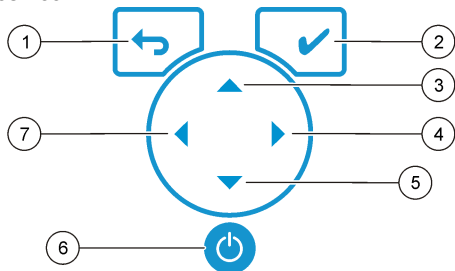
**Obrázok 3 Zapojenie napájania z elektrickej siete so striedavým prúdom**



# Užívateľské rozhranie a navigácia

## Používateľské rozhranie

### Popis klávesnice

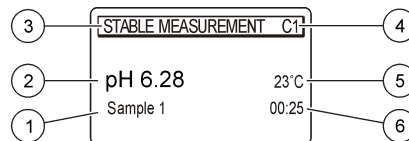


1 Tlačidlo NÁVRAT: zruší alebo zatvorí obrazovku aktuálnej ponuky a otvorí obrazovku predchádzajúcej ponuky.	5 Tlačidlo DOLE: prechod na ďalšiu položku, zmena hodnoty.
2 Tlačidlo MERANIE: potvrdenie zvolenej možnosti.	6 ZAP/VYP: zapnutie a vypnutie meracieho prístroja.
3 Tlačidlo HORE: prechod na ďalšiu položku, zmena hodnoty.	7 Tlačidlo DOL'AVA: zmena medzi kanálom 1 a kanálom 2, zadávanie čísel a písmen.
4 Tlačidlo DOPRAVA: zmena medzi kanálom 1 a kanálom 2, zadávanie čísel a písmen.	

### Popis displeja

Na displeji meracieho prístroja sa zobrazuje koncentrácia, jednotky, teplota, stav kalibrácie, ID obsluhy, ID vzorky, dátum a čas.

Obrázok 4 Jednoduchá obrazovka displeja



1 ID vzorky	4 Teplota vzorky (°C alebo °F)
2 Jednotka merania a hodnota (pH, ORP (mV) alebo ISE)	5 Vizualný časovač merania
3 Režim merania alebo dátum a čas	

### Navigácia

Tlačidlo ↶ slúži na návrat do predchádzajúcej ponuky. Tlačidlo ✓ slúži na odmeranie vzorky alebo na potvrdenie príslušnej možnosti. Tlačidlá so šípkami ▲ a ▼ slúžia na listovanie medzi položkami a na úpravu hodnôt. Šípky ◀ a ▶ slúžia na úpravu parametrov. Postupujte podľa konkrétnych pokynov pre príslušný úkon.

### Spustenie do prevádzky

#### Zapnutie a vypnutie meracieho prístroja

#### POZNAMKA

Pred zapnutím meracieho prístroja sa presvedčte, či je k nemu pripojená sonda.


Ak si želáte vypnúť merací prístroj, stlačte tlačidlo ⏻. Ak sa merací prístroj nevypne, skontrolujte, či je striedavý napájací zdroj správne pripojený do sieťovej zásuvky.

### Zmena jazyka

Jazyk displeja sa nastavuje pri prvom zapnutí meracieho prístroja.

1. Tlačidlom ▲ alebo ▼ vyberte jazyk zo zoznamu.



2. Potvrďte tlačidlom . Na obrazovke merania sa zobrazí voľba DATA OUTPUT (Výstup údajov).
3. Ak nie je pripojená tlačiareň ani počítač, zvolte možnosť Deactivated (Deaktivované) a potvrďte. Ďalšie informácie o výstupe údajov nájdete v časti [Výber výstupu údajov](#) na strane 335.

## Štandardná prevádzka






### Kalibrácia

#### ⚠ VAROVANIE

Nebezpečenstvo vystavenia chemikáliám. Dodržiavajte laboratórne bezpečnostné postupy a používajte všetky osobné ochranné pomôcky zodpovedajúce chemikáliám, s ktorými pracujete. Bezpečnostné protokoly nájdete v aktuálnej karte bezpečnostných údajov (KBÚ).

### Nastavenia kalibrácie

Nastavenia kalibrácie obsahujú nastavenia typu kalibrácie, frekvencie kalibrácie a možností zobrazenia.






1. V hlavnej ponuke zvolte pomocou tlačidla  alebo  možnosť CALIBRATION (Kalibrácia). Potvrďte.
2. Pomocou tlačidla  otvorte ponuku kalibrácie.
3. Pomocou tlačidla  alebo  vyberte z nasledujúcich možností:

Voľba	Popis
<b>Stability C. (Kr. stability)</b>	Kritérium stability – vyberte možnosť Fast (Rýchla), Standard (Štandardná) alebo Strict (Presná).
<b>Calibration type (Typ kalibrácie)</b>	Typ kalibrácie – vyberte možnosť Technical buffers (Technické pufovacie roztoky), DIN19266 Buffers (Pufovacie roztoky podľa DIN19266), User Buffers (Používateľské pufovacie roztoky), To a X value (Na hodnotu X), Data introduction (Zadávanie údajov) alebo Theoretical calibration (Teoretická kalibrácia). Viac informácií nájdete v časti <a href="#">Calibration types</a> .

Voľba	Popis
<b>Cal. frequency (Frekvencia kal.)</b>	Pripomenutie kalibrácie – možno nastaviť na 0 – 7 dní (predvolené: denne). Na displeji sa zobrazí zostávajúci čas do novej kalibrácie. Viac informácií nájdete v časti <a href="#">Nastavenie pripomenky kalibrácie</a> na strane 334.
<b>Display mV (Zobraziť mV)</b>	Zobraziť mV – tlačidlami YES (ÁNO) a NO (NIE) nastavte zobrazenie hodnoty mV.
<b>Standard 220 mV (Štandard 220 mV)</b>	Štandard 220 mV – kalibrácia so štandardným roztokom 220 mV.
<b>To a X value (Na hodnotu X)</b>	Na hodnotu X – použitie špecifického štandardného roztoku. Nastavenie hodnoty počas kalibrácie.
<b>Data introduction (Zadávanie údajov)</b>	Kompenzácia zadávania údajov – zadajte hodnotu kompenzácie.
<b>Factory adjust (Nastavenie z výroby)</b>	Nastavenie z výroby – zadajte hodnotu kompenzácie.

### Typy kalibrácie

Je možné zvoliť rôzne typy kalibrácie.

1. V hlavnej ponuke zvolte pomocou tlačidla  alebo  možnosť CALIBRATION (Kalibrácia). Potvrďte.
2. Pomocou tlačidla  otvorte ponuku kalibrácie.
3. Pomocou tlačidla  alebo  vyberte možnosť Calibration type (Typ kalibrácie).

Voľba	Popis
<b>Technical buffers (Technické pufovacie roztoky)</b>	pH 2,00, 4,01, 7,00, 9,21 a 10,01 pri 25 °C (77 °F)
<b>DIN19266 Buffers (Pufovacie roztoky podľa DIN19266)</b>	pH 1,679; 4,006; 6,865; 7,000; 9,180; 10,012 a 12,454

Voľba	Popis
<b>User Buffers (Používateľské pufovacie roztoky)</b>	Zvolené, keď sa nepoužívajú technické pufovacie roztoky ani pufovacie roztoky podľa DIN19266. Hodnoty pH špecifických pufovacích súprav pri rôznych teplotách nájdete v časti <a href="#">Technické pufovacie roztoky (DIN 19267)</a> na strane 343.
<b>Calibration to a X value (Kalibrácia na hodnotu X)</b>	Na manuálne nastavenie akejkoľvek hodnoty nameraného pH podľa stupnice.
<b>Data introduction (Zadávanie údajov)</b>	Nepretržité manuálne zadávanie údajov sondy.
<b>Theoretical calibration (Teoretická kalibrácia)</b>	Kalibračné údaje sondy sú nahradené pri 25 °C (77 °F).

## Postup kalibrácie

Toto je všeobecný postup pre tekuté kalibračné roztoky. Ďalšie informácie nájdete v dokumentoch, ktoré sú priložené ku každej sonde.

**Poznámka:** Roztoky sa počas kalibrácie majú miešať. Ďalšie informácie o nastaveniach miešania nájdete v časti [Zmena nastavení miešania](#) na strane 337.

1. Nalejte pufovacie alebo kalibračné roztoky do označených kalibračných nádob.
2. V hlavnej ponuke použijete tlačidlá **▲** alebo **▼** a **◀a▶** na voľbu parametra CALIBRATION (Kalibrácia). Potvrďte.
3. V prípade potreby vyberte položku Operator ID (ID obsluhy) (1 až 10) a potvrďte.
4. Opláchnite sondu deionizovanou vodou a vložte ju do prvej kalibračnej nádoby. Presvedčte sa, či na membráne nie sú vzduchové bubliny.
5. Stlačte tlačidlo **✓** na spustenie kalibrácie.
6. Stlačte tlačidlo **✓** a odmerajte prvý kalibračný roztok. Zobrazí sa ďalší kalibračný roztok.
7. Opláchnite sondu deionizovanou vodou a vložte ju do druhej kalibračnej nádoby. Presvedčte sa, či na membráne nie sú vzduchové bubliny.

8. Stlačte tlačidlo **✓** a odmerajte druhý kalibračný roztok. Zobrazí sa ďalší kalibračný roztok.
9. Opláchnite sondu deionizovanou vodou a vložte ju do tretej kalibračnej nádoby. Presvedčte sa, či na membráne nie sú vzduchové bubliny.
10. Stlačte tlačidlo **✓** a odmerajte tretí kalibračný roztok. Ak je kalibrácia v poriadku, na displeji sa krátko zobrazí hlásenie Calibration OK (Kalibrácia v poriadku) a potom sa opäť zobrazí hlavná ponuka.  
**Poznámka:** Ak je pripojená tlačiareň, otvorí sa ponuka tlače a výsledok možno vytlačiť.

## Zobrazenie kalibračných údajov

Je možné zobrazíť údaje z poslednej kalibrácie.

1. V hlavnej ponuke zvolte pomocou tlačidla **▲** alebo **▼** možnosť DATA LOGGER (Protokol údajov). Potvrďte.
2. Zvoľte možnosť Display data (Zobrazenie údajov).
3. Zvoľte možnosť Calibration data (Kalibračné údaje) a potvrďte tlačidlom **✓**. Zobrazia sa údaje z poslednej kalibrácie.
  - pH – hodnoty sklonu a úseku sa zobrazujú striedavo s hodnotami odchýlky (v %) a kalibračnej teploty.
  - ORP – zobrazujú sa nameraná hodnota mV a kalibračná teplota.
  - Vodivosť – zobrazujú sa konštanta komôrky a kalibračná teplota každého štandardného roztoku.

## Nastavenie pripomienky kalibrácie

Pripomienku kalibrácie možno nastaviť na 0 až 23 hodín alebo 1 až 7 dní (predvolené: 1 deň). Na displeji sa zobrazí zostávajúci čas do novej kalibrácie.

**Poznámka:** Keď je zvolená možnosť 0, pripomienka kalibrácie je vypnutá.

1. V hlavnej ponuke zvolte pomocou tlačidla **▲** alebo **▼** možnosť CALIBRATION (Kalibrácia). Potvrďte.
2. Pomocou tlačidla **▲** otvorte ponuku kalibrácie.
3. Pomocou tlačidla **▲** alebo **▼** vyberte možnosť Cal. frequency (Frekvencia kal.) a potvrďte.

4. Pomocou tlačidiel ◀ a ▶ prejdite na ďalší krok a pomocou tlačidla ▲ alebo ▼ zmeňte hodnotu. Potvrďte.  
Stlačte tlačidlo ✓ na spustenie kalibrácie.

## Meranie vzoriek

Pre každú sondu existujú špecifické prípravné kroky a postupy na meranie vzoriek.

1. V hlavnej ponuke použite tlačidlá ▲ alebo ▼ a ◀ a ▶ na voľbu položky MEASURE (Meranie). Potvrďte.
2. Pomocou tlačidla ▲ zmeňte nasledujúce nastavenia. Každú položku potvrďte.

Možnosť	Popis
<b>Resolution (Rozlíšenie)</b>	Zvoľte rozlíšenie: 1, 0,1, 0,01 (predvolené) alebo 0,001
<b>Measure (Meranie)</b>	Stabilita – vyberte kritérium By stability (Podľa stability): Fast (Rýchle) (odchýlka < 0,02 pH za 6 s), Standard (Štandardné) (odchýlka < 0,01 pH za 6 s) alebo Strict (Presné) (odchýlka < 0,002 pH za 6 s). In continuous (Nepretržité) – zadajte časový interval pre nepretržité získavanie údajov (ukladanie alebo tlač údajov). By time (Podľa času) – zadajte časový interval pre ukladanie alebo tlač údajov.
<b>Display mV (Zobraziť mV)</b>	Zobraziť mV – tlačidlami YES (ÁNO) a NO (NIE) nastavte zobrazenie hodnoty mV.
<b>Limits (Limity)</b>	Limity – zvoľte YES (ÁNO) alebo NO (NIE). ÁNO: Zadajte horný a spodný limit. Ak je meranie za hranicou limitu, zaznie zvuková výstraha. Ak bolo meranie za hranicou limitu, v správe s výsledkami sa vedľa nameranej hodnoty objaví písmeno A.
<b>Isopotential (Izopotenciálová hodnota)</b>	Zmena izopotenciálovej hodnoty pH v rámci položky Data introduction (Zadávanie údajov). Na opätovné kalibrovanie sondy zvoľte možnosť Calculate (Vypočítať).

3. Stlačte tlačidlo ✓ na začatie merania.

**Poznámka:** Ak sa meranie nestabilizuje po 120 sekundách, merací prístroj sa automaticky prepne do režimu nepretržitého merania.

## Rozšírená prevádzka

### Zmena jednotiek merania

Jednotky merania možno zmeniť samostatne pre každý kanál.

1. V hlavnej ponuke zvoľte pomocou tlačidla ▲ alebo ▼ možnosť SYSTEM (Systém). Potvrďte.
2. Pomocou tlačidla ▲ alebo ▼ zvoľte možnosť Measurement units (Jednotky merania) a potvrďte.
3. Zvoľte možnosť Channel 1 (Kanál 1) alebo Channel 2 (Kanál 2) a potvrďte.
4. Zvoľte možnosť ORP (mV), pH alebo ISE a potvrďte.

### Použitie ID vzorky

Značka ID vzorky sa používa na priradenie meraní k umiestneniu určitej vzorky. Ak je priradená, uložené údaje budú obsahovať toto ID.

1. V hlavnej ponuke zvoľte pomocou tlačidla ▲ alebo ▼ možnosť SYSTEM (Systém). Potvrďte.
2. Pomocou tlačidla ▲ alebo ▼ zvoľte možnosť Sample ID (ID vzorky) a potvrďte.
3. Na výber použite tlačidlo ▲ alebo ▼.

Možnosť	Popis
<b>Automatic (Automaticky)</b>	Každý vzorke sa automaticky priradí nasledujúce číslo.
<b>Manual (Manuálne)</b>	Klávesnica alebo skener čiarového kódu vyžadujú zadanie názvu ID vzorky pred vykonaním merania (maximálne 15 znakov).

### Výber výstupu údajov

Údaje možno uložiť alebo preniesť do tlačiarne alebo počítača.

1. V hlavnej ponuke zvoľte pomocou tlačidla ▲ alebo ▼ možnosť SYSTEM (Systém). Potvrďte.

- Pomocou tlačidla ▲ alebo ▼ zvolte možnosť Data Output (Výstup údajov) a potvrdte.
- Na výber použite tlačidlo ▲ alebo ▼.

Voľba	Popis
<b>Deactivated (Deaktivované)</b>	Ak nie je pripojená tlačiareň ani počítač, zvolte možnosť Deactivated (Deaktivované).
<b>For Printer (Pre tlačiareň)</b>	Vyberte možnosť Dot matrix printer (Ihličková tlačiareň) alebo Thermal printer (Tepelná tlačiareň).
<b>For Computer (Pre počítač)</b>	Vyberte možnosť Terminal (Terminál), LabCom alebo LabCom Easy. Softvér LabCom ovláda viaceré moduly, prístroje na meranie pH a vodivosti, automatické byrety, prístroje na odoberanie vzoriek atď. z počítača. Softvér LabCom Easy získava údaje o pH a vodivosti z počítača.

## Zmena dátumu a času

Dátum a čas sa dajú zmeniť v ponuke Date / Time (Dátum a čas).

- V hlavnej ponuke zvolte pomocou tlačidla ▲ alebo ▼ možnosť SYSTEM (Systém). Potvrdte.
- Pomocou tlačidla ▲ alebo ▼ zvolte možnosť Date / Time (Dátum a čas) a potvrdte.
- Pomocou tlačidiel ◀ a ▶ prejdite na ďalší krok a pomocou tlačidla ▲ alebo ▼ zmeňte hodnotu. Potvrdte. Na displeji sa zobrazí aktuálny dátum a presný čas.

## Nastavenie kontrastu displeja

- V hlavnej ponuke zvolte pomocou tlačidla ▲ alebo ▼ možnosť SYSTEM (Systém). Potvrdte.
- Pomocou tlačidla ▲ alebo ▼ zvolte položku Display contrast (Kontrast displeja) a potvrdte.
- Pomocou tlačidiel ◀ a ▶ upravte kontrast displeja a potvrdte.

## Nastavenie teploty

Na zvýšenie presnosti je možné nastaviť meranie teploty pri 25 °C (77 °F) alebo 85 °C (185 °F).

- Vložte sondu a referenčný teplomer do nádoby s vodou s teplotou približne 25 °C a počkajte, kým sa teplota neustáli.
- Porovnajete údaje o teplote z meracieho prístroja a referenčného teplomera. Rozdiel predstavuje opravnú hodnotu pre merací prístroj. Príklad: referenčný teplomer: 24,5 °C; merací prístroj: 24,3 °C. Opravná hodnota: 0,2 °C.
- Zadajte opravnú hodnotu pre údaj 25 °C:
  - V hlavnej ponuke zvolte pomocou tlačidla ▲ alebo ▼ možnosť SYSTEM (Systém). Potvrdte.
  - Pomocou tlačidla ▲ alebo ▼ zvolte možnosť Readjust temp. (Znova nastaviť tepl.) a potvrdte.
  - Zvolte možnosť Channel 1 (Kanál 1) alebo Channel 2 (Kanál 2) a potvrdte. Teplotu pre kanál 1 odmeria vodivostná komôrka a pre kanál 2 sonda pH. Ak nie je pripojená žiadna vodivostná komôrka, hodnota teploty sa musí zadať ručne alebo sa pre merací prístroj môže použiť teplota nameraná v kanáli 2.
  - Pomocou tlačidla ▲ alebo ▼ zvolte možnosť 25 °C a potvrdte.
  - Pomocou šípok zadajte opravnú hodnotu pre 25 °C. Potvrdte.
- Vložte sondu a referenčný teplomer do nádoby s vodou s teplotou približne 85 °C a počkajte, kým sa teplota neustáli.
  - Pomocou tlačidla ▲ alebo ▼ zvolte možnosť 85 °C a potvrdte.
  - Pomocou šípok zadajte opravnú hodnotu pre 85 °C. Potvrdte.
  - Zvolte možnosť Save changes (Uložiť zmeny) a potvrdte.

## Zmena nastavení miešania

Magnetické miešadlo možno zapnúť a rýchlosť miešania možno zmeniť v ponuke miešania.

1. V hlavnej ponuke zvolte pomocou tlačidla ▲ alebo ▼ možnosť SYSTEM (Systém). Potvrďte.
2. Pomocou tlačidla ▲ alebo ▼ zvolte možnosť Stirring (Miešanie) a potvrdte.
3. Na zapnutie alebo vypnutie miešadla stlačte tlačidlo ✓.
4. Keď je miešadlo zapnuté, pomocou tlačidla ▲ alebo ▼ zmeňte rýchlosť miešania v %.

**Poznámka:** Pomocou tlačidla ▲ alebo ▼ zmeňte rýchlosť miešania počas kalibrácie alebo počas merania.

## Vypnutie a zapnutie miešadla

Miešadlo 1 funguje s kanálom 1 a 2 (miešadlo 1). Druhé miešadlo možno zapojiť do kanála 2 (miešadlo 2). Pri aktivácii miešadla 2 postupujte podľa nasledujúcich krokov.

1. V hlavnej ponuke zvolte pomocou tlačidla ▲ alebo ▼ možnosť SYSTEM (Systém). Potvrďte tlačidlom ✓.
2. Pomocou tlačidla ▲ alebo ▼ vyberte možnosť Stirrer N.2 (Miešadlo č. 2) a potvrdte tlačidlom ✓.
3. Pomocou tlačidla ▲ alebo ▼ zvolte možnosť YES (ÁNO) na zapnutie miešadla 2.

**Poznámka:** Ak chcete miešadlo 2 vypnúť, zvolte možnosť NO (NIE).

## Zmena jednotiek teploty

Jednotky teploty možno nastaviť na stupne Celzia alebo Fahrenheita.

1. V hlavnej ponuke zvolte pomocou tlačidla ▲ alebo ▼ možnosť SYSTEM (Systém). Potvrďte.
2. Pomocou tlačidla ▲ alebo ▼ zvolte možnosť Temperature units (Jednotky teploty) a potvrdte.
3. Pomocou tlačidla ▲ alebo ▼ vyberte možnosť Celsius alebo Fahrenheit a potvrdte.

## Protokol údajov

### Zobrazenie údajov

Protokol zobrazenie údajov obsahuje údaje merania, správu elektródy a kalibračné údaje. Uložené údaje možno odoslať do tlačiarne alebo počítača. Pri zaplnení protokolu údajov (400 dátových bodov) sa uložením nového údajového bodu najstarší dátový bod zmaže.

1. Pomocou tlačidiel ◀ a ▶ zvolte možnosť Channel 1 (Kanál 1) alebo Channel 2 (Kanál 2) a potvrdte.
2. V hlavnej ponuke zvolte pomocou tlačidla ▲ alebo ▼ možnosť SYSTEM (Systém). Potvrďte.
3. Pomocou tlačidla ▲ alebo ▼ zvolte možnosť DATA LOGGER (Protokol údajov) a potvrdte.
4. Pomocou tlačidla ▲ alebo ▼ zvolte položku Display data (Zobrazenie údajov) a potvrdte.
5. Na výber použite tlačidlo ▲ alebo ▼.

Možnosť	Popis
<b>Measurement data (Údaje merania)</b>	Údaje merania – uložia sa automaticky vždy, keď sa odmeria vzorka.
<b>Electrode report (Správa elektródy)</b>	Správa elektródy – automaticky uloží históriu elektródy a podmienky merania.
<b>Calibration data (Kalibračné údaje)</b>	Kalibračné údaje – automaticky uloží aktuálnu kalibráciu.

## Zmazanie údajov

Je možné zmazať všetky údaje merania alebo protokol správy elektródy s cieľom odstrániť údaje, ktoré už boli odoslané do tlačiarne alebo počítača.

1. V hlavnej ponuke zvolte pomocou tlačidla ▲ alebo ▼ možnosť SYSTEM (Systém). Potvrďte.
2. Pomocou tlačidla ▲ alebo ▼ zvolte možnosť DATA LOGGER (Protokol údajov) a potvrdte.

3. Pomocou tlačidla ▲ alebo ▼ zvolte možnosť Erase (Zmazať) a potvrďte.
4. Pomocou tlačidla ▲ alebo ▼ zvolte možnosť Measurement data (Údaje merania) alebo Electrode report (Správa elektródy) a potvrďte. Na zmazanie údajov opäť potvrďte. Celý protokol sa naraz zmaže.

## Odoslanie údajov do tlačiarne alebo do počítača

### POZNÁMKA

Najskôr je nutné zvoliť výstup údajov (tlačiareň alebo počítač), aby bola dostupná ponuka tlačte (pozri časť [Výber výstupu údajov](#) na strane 335).

**Poznámka:** Postup výberu typu správy s výsledkami nájdete v časti [Správa s výsledkami](#) na strane 338.

1. V hlavnej ponuke zvolte pomocou tlačidla ▲ alebo ▼ možnosť SYSTEM (Systém). Potvrďte.
2. Pomocou tlačidla ▲ alebo ▼ zvolte možnosť DATA LOGGER (Protokol údajov) a potvrďte.
3. Pomocou tlačidla ▲ alebo ▼ zvolte možnosť Print (Tlač) a potvrďte. Vyberte jednu z nasledujúcich možností a potvrďte tlač údajov tlačidlom ✓: Measurement data (Údaje merania), Electrode data (Údaje elektródy), Calibration data (Kalibračné údaje), Calibration report (Správa kalibrácie) alebo Instrument condit. (Podm. nástroja).

## Správa s výsledkami

### POZNÁMKA

Najskôr je nutné zvoliť výstup údajov (tlačiareň alebo počítač), aby bola dostupná ponuka Type of report (Typ správy) (pozri časť [Výber výstupu údajov](#) na strane 335).

Keď je pripojený tlačiareň alebo počítač, možno zvoliť rôzne typy správy s výsledkami.

1. V hlavnej ponuke zvolte pomocou tlačidla ▲ alebo ▼ možnosť SYSTEM (Systém). Potvrďte.

2. Pomocou tlačidla ▲ alebo ▼ zvolte možnosť Type of report (Typ správy) a potvrďte.
3. Keď je pripojený tlačiareň alebo počítač a terminál, tlačidlom ▲ alebo ▼ vyberte jednu z nasledujúcich možností:

Voľba	Popis
<b>Reduced (Skrátená)</b>	Zvolte možnosť Several (Viaceré) alebo One sample (Jedna vzorka) ako formát výstupu.
<b>Standard (Štandardná)</b>	Zvolte možnosť Several (Viaceré) alebo One sample (Jedna vzorka) ako formát výstupu. Voľba Several (Viaceré): <b>Users (Používatelia):</b> V tlačenej správe sa objaví meno používateľa (17 znakov). <b>Header (Záhlavie):</b> Do záhlavia možno pridať názov spoločnosti (40 znakov), ktorý sa objaví v tlačenej správe. <b>Identify sensor (Identifikácia snímača):</b> Možno pridať model a výrobné číslo snímača, ktoré sa objaví v tlačenej správe.
<b>GLP</b>	Zvolte možnosť Several (Viaceré) alebo One sample (Jedna vzorka) ako formát výstupu. Voľba Several (Viaceré): <b>Users (Používatelia):</b> V tlačenej správe sa objaví meno používateľa (17 znakov). <b>Header (Záhlavie):</b> Do záhlavia možno pridať názov spoločnosti (40 znakov), ktorý sa objaví v tlačenej správe. <b>Identify sensor (Identifikácia snímača):</b> Možno pridať model a výrobné číslo snímača, ktoré sa objaví v tlačenej správe.

4. Keď je pripojený počítač a je zvolená možnosť LabCom Easy (ďalšie informácie nájdete v časti [Výber výstupu údajov](#) na strane 335), vyberte si pomocou tlačidiel ▲ alebo ▼

Voľba	Popis
<b>Users (Používatelia)</b>	V tlačenej správe sa objaví meno používateľa (17 znakov).
<b>Identify sensor (Identifikácia snímača)</b>	Možno pridať model a výrobné číslo snímača, ktoré sa objaví v tlačenej správe.

## Údržba

### ▲ VAROVANIE

Viacnásobné nebezpečenstvo. Prístroj nerozoberajte na účely údržby ani opravy. Ak je potrebné opraviť alebo vyčistiť vnútorné komponenty, obráťte sa na výrobcu.

### ▲ UPOZORNENIE

Nebezpečenstvo poranenia osôb. Úkony uvedené v tejto časti návodu na použitie smú vykonávať iba kvalifikované osoby.

## Čistenie prístroja

### POZNÁMKA

Na čistenie prístroja, vrátane displeja a príslušenstva, nikdy nepoužívajte terpentín, acetón ani podobné čistiace prostriedky.

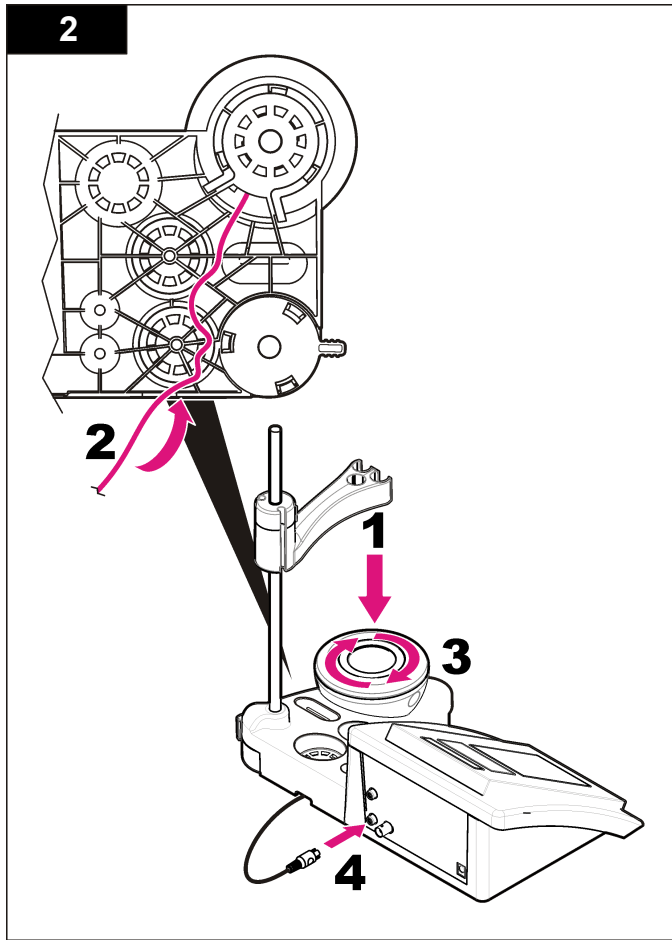
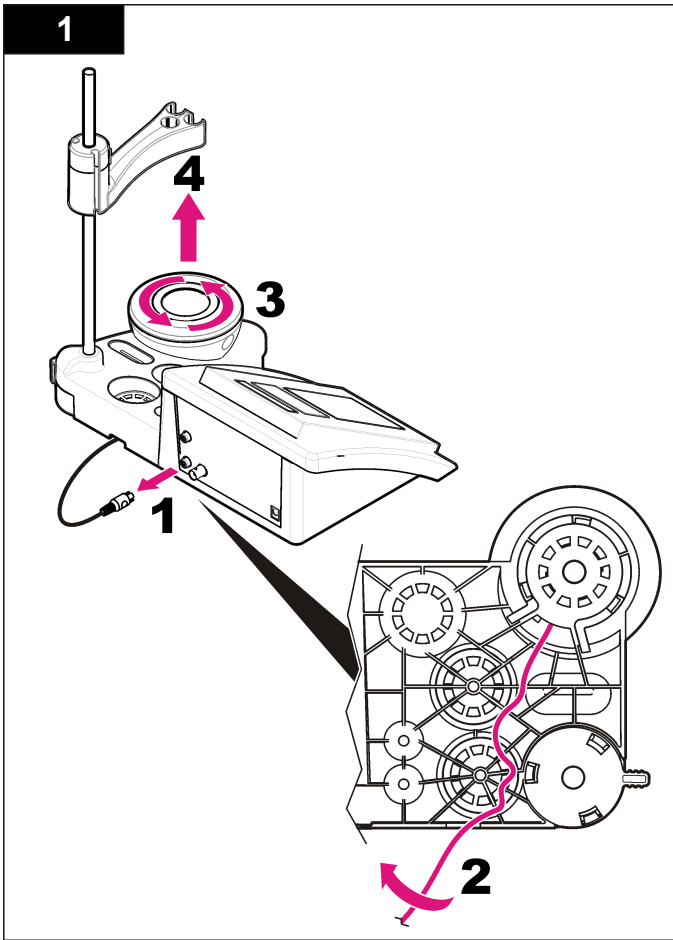
Na čistenie vonkajších povrchov prístroja používajte vlhkú handru a slabý mydlový roztok.

## Čistenie sondy

Vyčistite sondu podľa potreby. Ďalšie informácie o čistení nájdete v časti [Riešenie problémov](#) na strane 341. Informácie o údržbe sondy nájdete v dokumentácii k sonde.

## Výmena magnetického miešadla

Ak sa magnetické miešadlo nespustí, vymeňte ho podľa uvedených očíslovaných krokov.





## Riešenie problémov

Bežné správy o problémoch alebo symptómoch, možné príčiny a nápravné opatrenia nájdete v nasledujúcej tabuľke.

**Tabuľka 1 Výstrahy a chyby kalibrácie**

Chyba/Výstraha	Riešenie
Asymmetry > 58 mV (Asymetria > 58 mV)	Sklon mimo rozsah (akceptované hodnoty $\pm 58$ mV). Zopakujte kalibráciu. Pripojte novú sondu.
Buffer or electrode in poor conditions. (Pufrovací roztok alebo elektróda v zlom stave.)	Skontrolujte sondu: Vyčistite sondu (viac informácií v časti <b>Čistenie sondy</b> na strane 339); presvedčte sa, či na membráne nie sú vzduchové bubliny. Zatraste sondou ako teplomerom; pripojte inú sondu, aby ste zistili, či je problém so sondou, alebo s meracím prístrojom.  Skontrolujte pufrovací roztok: Presvedčte sa, či použitý pufrovací roztok zodpovedá pufrovaciemu roztoku uvedenému v konfigurácii; skontrolujte špecifikáciu teploty v konfigurácii; použite nový pufrovací roztok.
BUFFER NOT RECOGNIZED (Pufrovací roztok nerozpoznaný)	Zopakujte kalibráciu. Skontrolujte sondu: Vyčistite sondu (viac informácií v časti <b>Čistenie sondy</b> na strane 339); presvedčte sa, či na membráne nie sú vzduchové bubliny. Zatraste sondou ako teplomerom; pripojte inú sondu, aby ste zistili, či je problém so sondou, alebo s meracím prístrojom.
Sens. (a) < 70% (Cittl. (a) < 70 %)	Skontrolujte pufrovací roztok: Presvedčte sa, či použitý pufrovací roztok zodpovedá pufrovaciemu roztoku uvedenému v konfigurácii; skontrolujte špecifikáciu teploty v konfigurácii; použite nový pufrovací roztok.
UNSTABLE READING (Nestabilné hodnoty) Time t > 100 s (Čas t > 100 s)	Zopakujte kalibráciu. Skontrolujte sondu: Vyčistite sondu (viac informácií v časti <b>Čistenie sondy</b> na strane 339); presvedčte sa, či na membráne nie sú vzduchové bubliny. Zatraste sondou ako teplomerom; pripojte inú sondu, aby ste zistili, či je problém so sondou, alebo s meracím prístrojom.  Presvedčte sa, či sú membrána a diafragma správne ponorené vo vzorke.

**Tabuľka 1 Výstrahy a chyby kalibrácie (pokračovanie)**

Chyba/Výstraha	Riešenie
Skontrolujte teplotu. Skontrolujte elektródu.	Skontrolujte špecifikáciu teploty v konfigurácii. Skontrolujte sondu: Vyčistite sondu (viac informácií v časti <b>Čistenie sondy</b> na strane 339); presvedčte sa, či na membráne nie sú vzduchové bubliny. Zatraste sondou ako teplomerom; pripojte inú sondu, aby ste zistili, či je problém so sondou, alebo s meracím prístrojom.
Electrode in poor conditions. (Elektróda v zlom stave.)	Skontrolujte sondu: Vyčistite sondu (viac informácií v časti <b>Čistenie sondy</b> na strane 339); presvedčte sa, či na membráne nie sú vzduchové bubliny. Zatraste sondou ako teplomerom; pripojte inú sondu, aby ste zistili, či je problém so sondou, alebo s meracím prístrojom.
Skontrolujte elektródu.	
SAME BUFFERS (Rovnaké pufrovacie roztoky)	Zopakujte kalibráciu. Skontrolujte sondu: Vyčistite sondu (viac informácií v časti <b>Čistenie sondy</b> na strane 339); presvedčte sa, či na membráne nie sú vzduchové bubliny. Zatraste sondou ako teplomerom; pripojte inú sondu, aby ste zistili, či je problém so sondou, alebo s meracím prístrojom.  Skontrolujte pufrovací roztok: Použite nový pufrovací roztok.

**Tabuľka 2 Výstrahy a chyby merania**

Chyba/Výstraha	Riešenie
pH 12.78 19°C	Zopakujte kalibráciu.
pH out of range (pH mimo rozsah)	Skontrolujte sondu: Vyčistite sondu (viac informácií v časti <b>Čistenie sondy</b> na strane 339); presvedčte sa, či na membráne nie sú vzduchové bubliny. Zatraste sondou ako teplomerom; pripojte inú sondu, aby ste zistili, či je problém so sondou, alebo s meracím prístrojom.

**Tabuľka 2 Výstrahy a chyby merania (pokračovanie)**

Chyba/Výstraha	Riešenie
Temp out of range °C (Teplota mimo rozsah °C)	Skontrolujte snímač teploty. Pripojte inú sondu, aby ste zistili, či je problém so sondou, alebo s meracím prístrojom.
Time > 60 s (Čas > 60 s)	Presvedčte sa, či sú membrána a diafragma správne ponorené vo vzorke.
Time > 150 s (Čas > 150 s)	Skontrolujte teplotu.
Time > 300 s (Čas > 300 s)	Skontrolujte sondu: Vyčistite sondu (viac informácií v časti <b>Čistenie sondy</b> na strane 339); presvedčte sa, či na membráne nie sú vzduchové bubliny. Zatraste sondu ako teplomerom; pripojte inú sondu, aby ste zistili, či je problém so sondou, alebo s meracím prístrojom.
10,389 mg/l >>>>> 00012 00:13	Meranie ISE: Nameraná hodnota je vyššia ako najvyššia štandardná hodnota použitá pri kalibrácii. Zopakujte meranie.
0,886 mg/l <<<<<<< 00018 00:11	Meranie ISE: Nameraná hodnota je nižšia ako najnižšia štandardná hodnota použitá pri kalibrácii. Zopakujte meranie.

## Náhradné diely a príslušenstvo

**Poznámka:** Čísla produktov a položiek sa môžu odlišovať v niektorých predajných oblastiach. Pre kontaktné informácie sa obráťte na príslušného distribútora alebo si pozrite webovú stránku spoločnosti.

### Náhradné diely

Popis	Č. položky
Laboratórny prístroj na meranie pH sensION+ PH3 s príslušenstvom, bez sondy	LPV2000.98.0002
Laboratórny prístroj na meranie pH sensION+ PH31, GLP, s príslušenstvom, bez sondy	LPV2100.98.0002
Laboratórny prístroj na meranie pH a iónov sensION+ MM340, GLP, 2 kanály, s príslušenstvom, bez sondy	LPV2200.98.0002

## Náhradné diely a príslušenstvo (pokračovanie)

Popis	Č. položky
Laboratórny prístroj na meranie vodivosti sensION+ EC7 s príslušenstvom, bez sondy	LPV3010.98.0002
Laboratórny prístroj na meranie vodivosti sensION+ EC71, GLP, s príslušenstvom, bez sondy	LPV3110.98.0002
Laboratórny merací prístroj sensION+ MM374, 2 kanály, GLP, príslušenstvo, bez sond	LPV4110.98.0002

### Spotrebný materiál

Popis	Č. položky
pH puľrovací roztok 4,01, 125 ml	LZW9460.99
pH puľrovací roztok 7,00, 125 ml	LZW9461.98
pH puľrovací roztok 10,01, 125 ml	LZW9470.99
pH puľrovací roztok 4,01, 250 ml	LZW9463.99
pH puľrovací roztok 7,00, 250 ml	LZW9464.98
pH puľrovací roztok 10,01, 250 ml	LZW9471.99
pH puľrovací roztok 4,01, 1000 ml	LZW9466.99
pH puľrovací roztok 7,00, 1000 ml	LZW9467.98
pH puľrovací roztok 10,01, 1000 ml	LZW9472.99
Elektrolytický roztok (KCl 3 M), 125 ml	LZW9510.99
Elektrolytický roztok (KCl 3 M), 250 ml	LZW9500.99
Elektrolytický roztok (KCl 3 M), 50 ml	LZW9509.99
Elektrolytický roztok 0,1 M, 125 ml	LZW9901.99
Enzymový roztok	2964349
Pepsínový čistiaci roztok	2964349

## Náhradné diely a príslušenstvo (pokračovanie)

Popis	Č. položky
Roztok na čistenie elektród	2965249
Roztok 0,1 N HCl	1481253

## Príslušenstvo

Popis	Č. položky
Tepelná tlačiareň, RS232, pre stolový merací prístroj sensION+	LZW8201.99
Tepelný papier pre tlačiareň LZW8201, vrečko s 5 kotúčmi	LZW9117.99
Ihličková tlačiareň, RS232, pre nástroje sensION+	LZW8200.99
Štandardný papier pre tlačiareň LZW8200, vrečko s 10 kotúčmi	LZW9000.99
Páska pre tlačiareň LZW8200, 3 jednotky	LZW9001.99
Počítačový softvér LabCom Easy, pre sensION+ GLP, CD, kábel, adaptér USB	LZW8997.99
Počítačový softvér LabCom, pre sensION+ GLP, CD, kábel, adaptér USB	LZW8999.99
Kábel RS232, pre nástroje stolového meracieho prístroja sensION+	LZW9135.99
Kábel RS232 pre stolový merací prístroj sensION+, s adaptérom USB	LZW9135USB.99
Magnetické miešadlo s držiakom snímača, pre stolový merací prístroj sensION+ MM	LZW9319.99
Potlačené nádoby 3 x 50 ml na stolovú kalibráciu pH	LZW9110.98
Držiak na tri snímače, pre nástroje stolového meracieho prístroja sensION+	LZW9321.99
Držiak a svorka na tri snímače	LZW9155.99

## Náhradné diely a príslušenstvo (pokračovanie)

Popis	Č. položky
Komora z pyrexového skla, meranie nepretržitého prietoku	LZW9118.99
Ochranný obal z PP, skladovanie elektród	LZW9161.99

## Štandardné roztoky

### Technické pufovacie roztoky (DIN 19267)

Hodnoty pH a ORP (mV) špecifických pufovacích súprav pri rôznych teplotách nájdete v časti [Tabuľka 3](#).

**Tabuľka 3 Hodnoty pH, ORP (mV) a teploty**

Teplota		pH					mV
°C	°F						
0	32	2,01	4,01	7,12	9,52	10,30	—
10	50	2,01	4,00	7,06	9,38	10,17	245
20	68	2,00	4,00	7,02	9,26	10,06	228
<b>25</b>	<b>77</b>	<b>2,00</b>	<b>4,01</b>	<b>7,00</b>	<b>9,21</b>	<b>10,01</b>	<b>220</b>
30	86	2,00	4,01	6,99	9,16	9,96	212
40	104	2,00	4,03	6,97	9,06	9,88	195
50	122	2,00	4,06	6,97	8,99	9,82	178
60	140	2,00	4,10	6,98	8,93	9,76	160
70	158	2,01	4,16	7,00	8,88	—	—
80	176	2,01	4,22	7,04	8,83	—	—
90	194	2,01	4,30	7,09	8,79	—	—

### Pufovacie roztoky (DIN 19266)

Hodnoty pH a ORP (mV) špecifických pufovacích súprav pri rôznych teplotách nájdete v časti [Tabuľka 4](#).

**Tabuľka 4 Hodnoty pH, ORP (mV) a teploty**

Teplota		pH					mV	
°C	°F							
5	32	1,668	4,004	6,951	7,087	9,395	10,245	13,207
10	50	1,670	4,000	6,923	7,059	9,332	10,179	13,003
20	68	1,675	4,001	6,881	7,016	9,225	10,062	12,627
<b>25</b>	<b>77</b>	<b>1,679</b>	<b>4,006</b>	<b>6,865</b>	<b>7,000</b>	<b>9,180</b>	<b>10,012</b>	<b>12,454</b>
30	86	1,683	4,012	6,853	6,987	9,139	9,966	12,289
40	104	1,694	4,031	6,838	6,970	9,068	9,889	11,984
50	122	1,707	4,057	6,833	6,964	9,011	9,828	11,705
60	140	1,723	4,085	6,836	6,968	8,962	—	11,449
70	158	1,743	4,126	6,845	6,982	8,921	—	—
80	176	1,766	4,164	6,859	7,004	8,885	—	—
90	194	1,792	4,205	6,877	7,034	8,850	—	—

## Tehnični podatki

Pridržana pravica do spremembe tehničnih podatkov brez predhodnega obvestila.

Specifikacije	Podrobnosti
Mere	35 x 20 x 11 cm (13,78 x 7,87 x 4,33 palca)
Teža	1100 g (2,43 lb)
Ohišje merilnika	IP 42
Napajanje (zunanje)	100–240 V, 0,4 A, 47–63 Hz
Zaščitni razred merilnika	Razred II
Temperatura shranjevanja	–15 do +65 °C (5 do +149 °F)
Temperatura delovanja	0 do 40 °C (41 do 104 °F)
Vlažnost za delovanje	< 80 % (brez kondenzacije)
Rešitev	pH: 0,1/0,01/0,001; ORP: 0,1/1 mV, ISE: programirljivo; temperatura: 0,1 °C (0,18 °F)
Napaka pri merjenju (± 1 številka)	pH: ≤ 0,002; ORP: ≤ 0,2 mV; temperatura: ≤ 0,2 °C (≤ 0,36 °F)
Ponovljivost (± 1 številka)	pH: ± 0,001; ORP: ± 0,1 mV; temperatura: ± 0,1 °C (± 0,18 °F)
Shranjevanje podatkov	330 rezultatov in zadnjih 9 umerjanj
Povezave	2 kombinirana ali indikatorska sonda: priključek BNC (Imp. >10 <sup>12</sup> Ω); 2 referenčni elektrodi: priključek tipa banana; A.T.C. tipa Pt 1000: banana ali telefonski priključek; magnetni mešalnik: priključek RCA; 2 magnetna mešalnika: priključek RCA
Popravek temperature	Ročno, sonda temperature Pt 1000 (A.T.C.), programirljivi izopotencialni pH, standardna vrednost 7,00
Zaklep prikaza meritev	Neprekinjeno merjenje, po stabilnosti

Specifikacije	Podrobnosti
Zaslón	Tekoči kristali, osvetlitev iz ozadja, 128 x 64 pik
Tipkovnica	PET z zaščitnim premazom
Certifikacija	CE

## Splošni podatki

Prenovljene različice najdete na proizvajalčevi spletni strani.

## Varnostni napotki

### OPOMBA

Proizvajalec ne odgovarja za škodo, ki bi nastala kot posledica napačne aplikacije ali uporabe tega izdelka, kar med drugim zajema neposredno, naključno in posledično škodo, in zavrača odgovornost za vso škodo v največji meri, dovoljeni z zadevno zakonodajo. Uporabnik je v celoti odgovoren za prepoznavo tveganj, ki jih predstavljajo kritične aplikacije, in namestitev ustreznih mehanizmov za zaščito procesov med potencialno okvaro opreme.

Še pred razpakiranjem, zagonom ali delovanjem te naprave v celoti preberite priložena navodila. Še posebej upoštevajte vse napotke o nevarnostih in varnostne napotke. V nasprotnem primeru obstaja nevarnost hudih poškodb uporabnika oz. škode na opremi.

Zaščita te opreme mora biti brezhibna. Uporabljajte in nameščajte jo izključno tako, kot je navedeno v tem priročniku.

## Uporaba varnostnih informacij

### ▲ NEVARNOST

Označuje morebitno ali neizbežno nevarno stanje, ki lahko povzroči smrt ali hude poškodbe.

### ▲ OPOZORILO

Označuje možno ali neposredno nevarno situacijo, ki lahko privede do hude poškodbe ali povzroči smrt, če se ji ne izognete.

## ⚠ PREVIDNO

Označuje morebitno nevarnost, ki lahko pripelje do majhnih ali srednje težkih poškodb.

## OPOMBA

Označuje situacijo, ki lahko, če se ji ne izognete, povzroči poškodbe instrumenta. Podatki, ki jih je potrebno posebej upoštevati.

## Opozorilne oznake

Upoštevajte vse oznake in tablice, ki so nameščene na napravo. Neupoštevanje tega lahko privede do telesnih poškodb ali škode na inštrumentu. Simbol je, če je označen na napravi, v navodilih naveden z napotkom o nevarnosti ali previdnostnim ukrepom.



Če je na napravi ta simbol, preberite podrobnosti o njem v navodilih za uporabo in/ali v razdelku za informacije o varnosti.



Električnih naprav, ki so označene s tem simbolom, od 12. avgusta 2005 v Evropi več ni dovoljeno odložiti med javne odpadke. V skladu z evropskimi lokalnimi in nacionalnimi predpisi (Direktiva EU 2002/98/ES) morajo evropski uporabniki električne opreme sedaj staro ali izrabljeno opremo vrniti proizvajalcu za odstranjevanje brez stroškov za uporabnika.

**Napotek:** Za vračilo ali reciklažo stopite v stik s proizvajalcem opreme ali dobaviteljem, kjer boste dobili navodila, kako izrabljeno opremo, električne dodatke dobavljene s strani proizvajalca in vse dodatne elemente vrniti za ustrezno odstranjevanje.

## Pregled izdelka

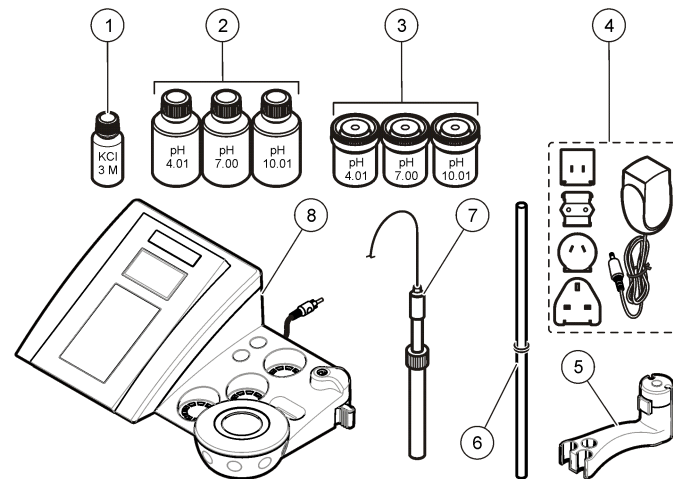
Merilnike sensION™+ se uporablja s sondami za merjenje različnih parametrov v vodi.

Merilnik sensION™+ MM340 ima dva meritvena kanala za merjenje vrednosti pH, ORP (mV) ali ISE (koncentracije) s selektivno sondo. Podatke o meritvah je mogoče shraniti in poslati tiskalniku ali računalniku.

## Sestavni deli izdelka

Glejte [Slika 1](#) in se prepričajte, da ste prejeli vse sestavne dele. Če katerikoli del manjka ali je poškodovan, se nemudoma obrnite na proizvajalca ali prodajnega zastopnika.

Slika 1 Sestavni deli merilnika

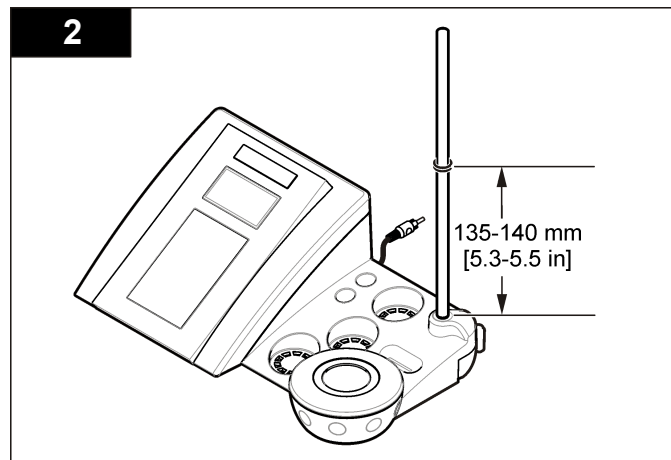
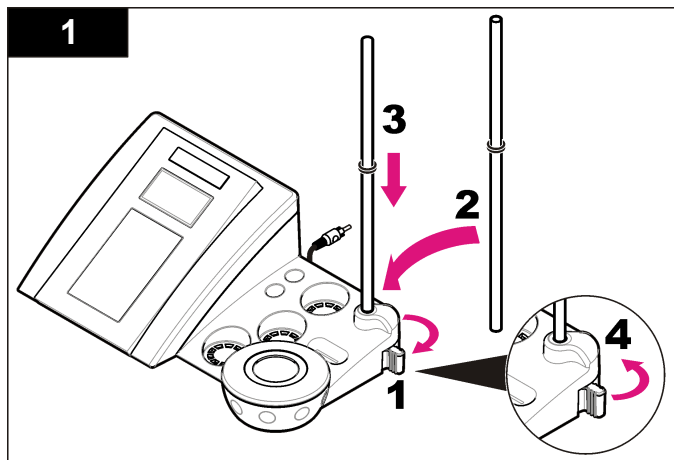


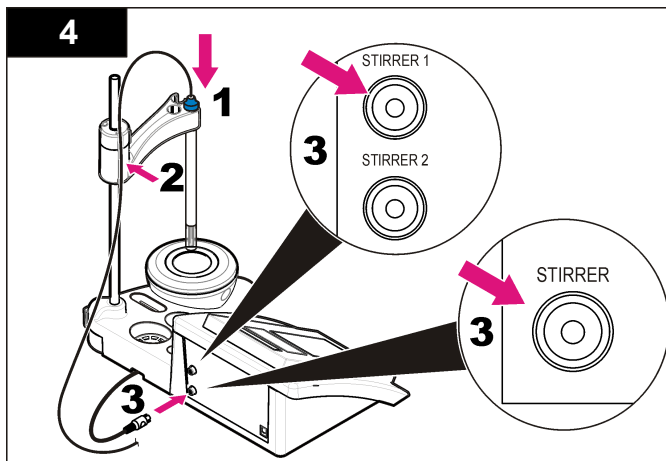
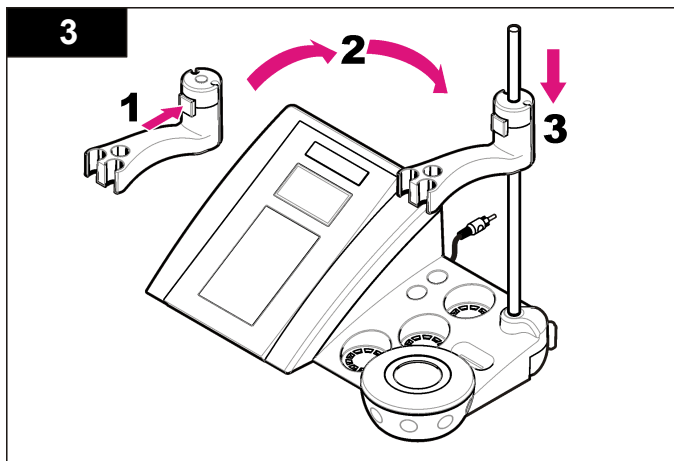
1 Elektrolit za sondo	5 Držalo za sonde
2 Puferske raztopine (pH 4,01; pH 7,00 in pH 10,01)	6 Palica s tesnilnim obročkom
3 Čaše za umerjanje (z magnetno palico)	7 Sonda (priložena samo kompletom)
4 Napajanje	8 Merilnik

## Namestitev

### Sestavljanje držala za sode

Po oštevilčenih korakih sestavite držalo za sode in priklopite magnetni mešalnik.





## Priklon na napajanje z izmeničnim tokom

### ⚠ NEVARNOST



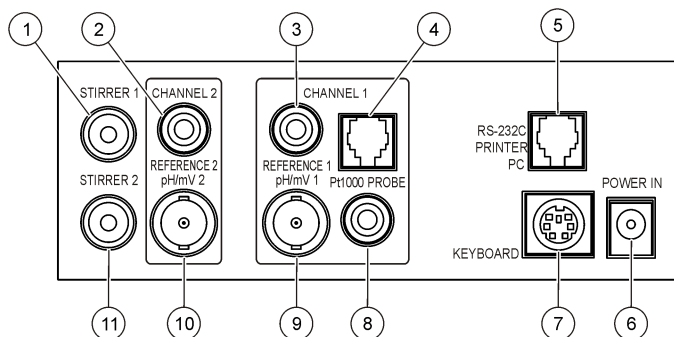
Nevarnost smrti zaradi električnega toka. Če opremo uporabljate zunaj ali na potencialno mokrem mestu, morate za priklon opreme na električno vtičnico uporabiti ozemljitveni prekinjevalnik krogotoka (GFCI/GFI).

Za napajanje merilnika z izmeničnim tokom lahko uporabite univerzalni napajalni adapter.

1. V kompletu z adapterjem izberite pravilni vtič adapterski vtič za vtičnico.
2. Univerzalni napajalni adapter priklonite na merilnik (Slika 2).
3. Povežite univerzalni napajalni adapter z vtičnico z izmeničnim tokom (Slika 3).
4. Vklonite merilnik.

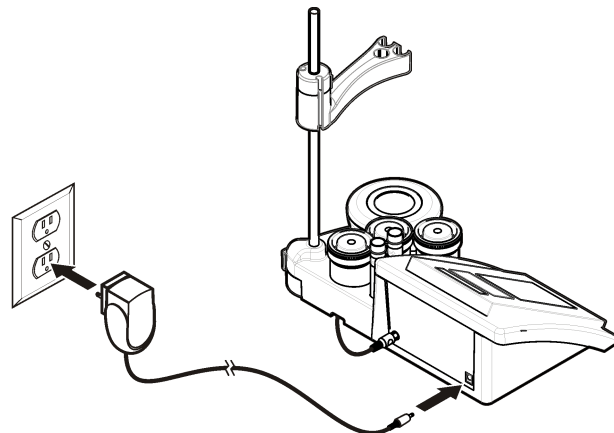


**Slika 2 Priključna plošča**



1 Priključek za magnetni mešalnik 1, kanal 1	7 Računalniška tipkovnica, mini priključek DIN
2 Priključek za referenčno elektrodo (ločene elektrode), kanal 1	8 Priključek DIN sonde za temperaturo, kanal 2
3 Priključek za referenčno elektrodo (ločene elektrode), kanal 2	9 Priključek za kombinirano pH-elektrodo (ali indikator), kanal 2
4 Priključek ločene sonde za temperaturo, kanal 2	10 Priključek za kombinirano pH-elektrodo (ali indikator), kanal 1
5 Priključek za tiskalnik RS-232 ali računalnik	11 Priključek za magnetni mešalnik 2, kanal 2
6 Napajanje	

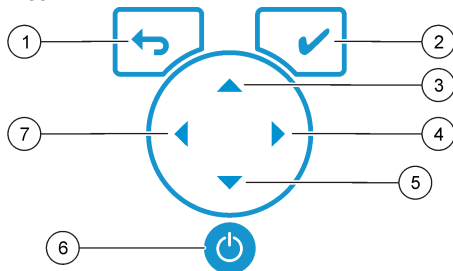
**Slika 3 Prikllop na napajanje z izmeničnim tokom**



## Uporabniški vmesnik in pomikanje

### Uporabniški vmesnik

#### Opis tipkovnice

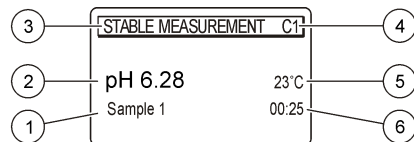


1 Tipka NAZAJ: preklic ali izhod iz trenutnega menija in vrnitev na prejšnji zaslon	5 Tipka NAVZDOL: pomik do drugih možnosti, sprememba vrednosti
2 Tipka za MERJENJE: potrditev izbrane možnosti	6 VKLOP/IZKLOP: vklop ali izklop merilnika
3 Tipka NAVZGOR: pomik do drugih možnosti, sprememba vrednosti	7 Tipka LEVO: preklon med kanalom 1 in 2, vnos števil in črk
4 Tipka DESNO: preklon med kanalom 1 in 2, vnos števil in črk	

#### Opis zaslona

Na zaslonu merilnika so prikazani koncentracija, enote, temperature, stanje umerjanja, ID upravljalca, ID vzorca ter datum in čas.

Slika 4 Prikaz enojnega zaslona



1 ID vzorca	4 Temperatura vzorca (° C ali ° F)
2 Merska enota in vrednost (pH, ORP (mV) ali ISE)	5 Prikaz časovnika merjenja
3 Način merjenja ali datum in čas	

#### Navigacija

S tipko ↶ se lahko vrnete na prejšnji meni. S tipko za merjenje ✓ opravite meritev vzorca ali potrdite možnosti. S puščičnima tipkama ▲ in ▼ se lahko pomikate med možnostmi ali spreminjate vrednosti. Za spremembo parametrov pritisnite puščični tipki ◀ in ▶. Za natančnejša navodila glejte posamezno opravilo.

#### Zagon

#### Vklop in izklop merilnika

#### OPOMBA

Pred vklopom preverite, ali je sonda povezana z merilnikom.

Za vklop ali izklop merilnika pritisnite tipko ⏻. Če se merilnik ne vklopi, preverite, ali je napajalnik AC pravilno povezan z električno vtičnico.

#### Sprememba jezika

Jezik prikaza lahko izberete ob prvem vklopu merilnika.

1. S tipko ▲ ali ▼ izberite jezik s seznama.
2. Potrdite s tipko ✓ Na zaslonu z meritvijo se pojavi sporočilo DATA OUTPUT (podatkovni izhod).

3. Če merilnik ni povezan s tiskalnikom ali računalnikom, izberite možnost Deactivated (izklopljeno) in potrdite. Za dodatne informacije o podatkovnih izhodih glejte [Izbira podatkovnega izhoda](#) na strani 353.

## Standardni postopki

### Kalibracija

#### ▲ OPOZORILO

Nevarnost izpostavljenosti kemikalijam. Upoštevajte varnostne predpise v laboratoriju in nosite vso osebno zaščitno opremo, primerno za delo s kemikalijami, ki jih trenutno uporabljate. Za varnostne protokole glejte varnostni list (MSDS) trenutne snovi.

### Nastavitve umerjanja

Nastavitve umerjanja zajemajo Calibration type (vrsta umerjanja), Calibration frequency (pogostost umerjanja) in Display options (možnosti zaslona).

1. V glavnem meniju s tipko ▲ ali ▼ izberite možnost CALIBRATION (umerjanje). Potrdite.
2. S tipko ▲ odprite meni za umerjanje.
3. S tipko ▲ ali ▼ lahko izberite naslednje možnosti:

Možnost	Opis
<b>Stability C. (kriterij stabilnosti):</b>	Kriteriji stabilnosti – izberite Fast (hitro), Standard (standardno) ali Strict (strogo).
<b>Calibration type (vrsta umerjanja)</b>	Vrsta umerjanja – izbirate lahko med možnostmi Technical buffers (tehnični pufri), DIN19266 Buffers (pufri po DIN19266), User Buffers (uporabniški pufri), To a X value (po vrednosti X), data introduction (uvajanje podatkov) ali Theoretical calibration (teoretično umerjanje). Za več informacij glejte <a href="#">Calibration types</a> .

Možnost	Opis
<b>Cal. frequency (pogostost umerjanja)</b>	Opomnik za umerjanje – nastavi ga je mogoče med 0 in 7 dni (privzeta vrednost je vsak dan). Na zaslonu je prikazan čas do naslednjega umerjanja. Za več informacij glejte <a href="#">Nastavitev opomnika za umerjanje</a> na strani 352.
<b>Display mV (prikaz mV)</b>	Prikaz vrednosti mV – izberite možnost YES (da) ali NO (ne).
<b>Standard 220 mV</b>	Standard, 220 mV – umerjanje s standardno raztopino 220 mV
<b>To a X value (po vrednosti X)</b>	Po vrednosti X – uporaba določene standardne raztopine. Vrednost prilagodite med umerjanjem.
<b>Data introduction (uvajanje podatkov)</b>	Uvajanje podatkov za izravnavo – vnesite vrednost izravnave
<b>Factory adjust (tovarniška prilagoditev)</b>	Tovarniška prilagoditev – vnesite vrednost izravnave

### Vrste umerjanja

Izbirati je mogoče med različnimi vrstami umerjanja.

1. V glavnem meniju s tipko ▲ ali ▼ izberite možnost CALIBRATION (umerjanje). Potrdite.
2. S tipko ▲ odprite meni za umerjanje.
3. S tipko ▲ ali ▼ izberite želeno vrsto umerjanja.

Možnost	Opis
<b>Technical buffers (tehnični pufri)</b>	pH 2,00; 4,01; 7,00; 9,21 in 10,01 pri 25 °C (77 °F)
<b>DIN19266 Buffers (pufri po DIN19266)</b>	pH 1,679; 4,006; 6,865; 7,000; 9,180; 10,012 in 12,454

Možnost	Opis
<b>User Buffers (uporabniški pufri)</b>	Izbrano, če ne uporabljate tehničnih pufrov ali pufrov po standardu DIN19266. Za pH-vrednosti določenih puferskih kompletov pri različnih temperaturah glejte <b>Tehnične puferske raztopine (DIN 19267)</b> na strani 361.
<b>Calibration to a X value (umerjanje po vrednosti X)</b>	Ročno prilagajanje katerekoli izmerjene pH-vrednosti na lestvici.
<b>Data introduction (uvajanje podatkov)</b>	Ročno uvajanje konstante sonde.
<b>Theoretical calibration (teoretično umerjanje)</b>	Podatke umerjanja sonde se zamenja pri 25 °C (77 °F).

## Postopek umerjanja

Postopek je primeren za splošno uporabo s tekočimi raztopinami za umerjanje. Za dodatne informacije glejte dokumente, ki so priloženi posamezni sondi.

**Napotek:** Raztopino je treba med umerjanjem mešati. Za dodatne informacije o nastavitvah za mešanje glejte [Spreminjanje nastavitev mešanja](#) na strani 355.

1. V označene čaše za umerjanje vlijte pufre ali raztopine za umerjanje.
2. V glavnem meniju s tipkama **▲** ali **▼** in **◀** in **▶** izberite parameter CALIBRATION (umerjanje). Potrdite.
3. Po potrebi izberite tudi Operator ID (ID operaterja) (1–10) in potrdite.
4. Sondo sperite z deionizirano vodo in jo vstavite v prvo čašo za umerjanje. Preverite, da v membrani ni ujetih zračnih mehurčkov.
5. Pritisnite tipko **✓**, da začnete z umerjanjem.
6. Pritisnite tipko **✓**, da izmerite prvo raztopino za umerjanje. Prikazana je naslednja raztopina za umerjanje.
7. Sondo sperite z deionizirano vodo in jo vstavite v drugo čašo za umerjanje. Preverite, da v membrani ni ujetih zračnih mehurčkov.
8. Pritisnite tipko **✓**, da izmerite drugo raztopino za umerjanje. Prikazana je naslednja raztopina za umerjanje.
9. Sondo sperite z deionizirano vodo in jo vstavite v tretjo čašo za umerjanje. Preverite, da v membrani ni ujetih zračnih mehurčkov.

10. Pritisnite tipko **✓**, da izmerite tretjo raztopino za umerjanje. Ko je umeritev primerna, se na zaslonu na kratko pojavi sporočilo Calibration OK (umeritev v redu), nato pa se znova prikaže glavni meni.  
**Napotek:** Če je priklopljen tiskalnik, se odpre meni za tiskanje in rezultate je mogoče natisniti.

## Ogled podatkov o umerjanju

Prikazati je mogoče podatke o zadnjem umerjanju.

1. V glavnem meniju s tipko **▲** ali **▼** izberite možnost SYSTEM (sistem). Potrdite.
2. Izberite možnost Display data (prikaz podatkov).
3. Izberite možnost Calibration data (podatki o umerjanju) in potrdite s tipko **✓**. Prikažejo se podatki o zadnjem umerjanju.
  - pH – izmenično so prikazane vrednosti naklona in odmika z odklonom (v %) in temperaturo umerjanja.
  - ORP – prikazani sta izmerjena vrednost mV in temperatura umerjanja.
  - Prevodnost – prikazani sta konstanta celice in temperatura umerjanja za vsak standard.

## Nastavitev opomnika za umerjanje

Opomnik umerjanja lahko nastavite med 0 in 23 ur ali med 1 in 7 dni (privzeta vrednost je 1 dan). Na zaslonu je prikazan čas do naslednjega umerjanja.

**Napotek:** Če je izbrana vrednost 0 days (0 dni), je opomnik umerjanja izklopljen.

1. V glavnem meniju s tipko **▲** ali **▼** izberite možnost CALIBRATION (umerjanje). Potrdite.
2. S tipko **▲** odprite meni za umerjanje.
3. S tipko **▲** ali **▼** izberite možnost Cal. frequency (pogostost umerjanja) in potrdite.
4. S tipko **◀** in **▶** se pomaknite na naslednji korak ter spremenite vrednost s tipko **▲** ali **▼**. Potrdite. Za začetek umerjanja pritisnite tipko **✓**.

## Meritve vzorcev

Vsaka sonda ima posebne postopke za pripravo na meritve vzorcev.

1. V glavnem meniju s tipkama ▲ ali ▼ in ◀▶ izberite možnost MEASURE (merjenje). Potrdite.
2. S tipko ▲ lahko spremenite naslednje meritve. Vsak vnos potrdite.

Možnost	Opis
<b>Resolution (ločljivost)</b>	Izberite ločljivost: 1; 0,1; 0;01 (privzeto) ali 0,001
<b>Measure (merjenje)</b>	Stability (stabilnost) – izberite kriterij stabilnosti: Fast (hitro, odstopanje < 0,02 pH v 6 s), Standard (standardno, odstopanje < 0,01 pH v 6 s) ali Strict (strogo, odstopanje < 0,002 pH v 6 s). In continuous (neprekinjeno) – vnesite časovni interval za možnost In continuous Acquis. interval (interval pri neprekinjenem pridobivanju; shranjevanje ali tiskanje podatkov). By time (po času) – vnesite časovni interval za shranjevanje ali tiskanje podatkov.
<b>Display mV (prikaz mV)</b>	Prikaz vrednosti mV – izberite možnost YES (da) ali NO (ne).
<b>Limits (omejitve)</b>	Omejitve – izberite YES (da) ali NO (ne). YES (da): vnesite zgornje in spodnje omejitve. Ko je meritev zunaj omejitev se oglasi zvočno opozorilo. Na poročilu je poleg izmerjene vrednosti, če je ta zunaj omejitev, prikazana črka A.
<b>Isopotential</b>	Isopotential – sprememba isopotencialne pH-vrednosti pri možnosti Data introduction (uvajanje podatkov). Za ponovno umerjanje sonde izberite možnost Calibrate (umeri).

3. Za začetek merjenja pritisnite tipko ✓.

**Napotek:** Če se meritev po 120 sekundah ne začne umirjati, merilnik samodejno preklopi v način neprekinjenega merjenja.

## Napredni postopki

### Spreminjanje merskih enot

Merske enote lahko spreminjate za vsak kanal posebej.

1. V glavnem meniju s tipko ▲ ali ▼ izberite možnost SYSTEM (sistem). Potrdite.
2. S tipko ▲ ali ▼ izberite možnost Measurment units (merske enote) in potrdite.
3. Izberite možnost Channel 1 (kanal 1) ali Channel 2 (kanal 2) in potrdite.
4. Izberite možnost ORP (mV), pH ali ISE in potrdite.

### Uporaba ID vzorca

Oznaka ID vzorca se uporablja za povezovanje meritev z določenim položajem vzorca. Če je ID dodeljen, se bo poleg podatkov shranil tudi ID.

1. V glavnem meniju s tipko ▲ ali ▼ izberite možnost SYSTEM (sistem). Potrdite.
2. S tipko ▲ ali ▼ izberite možnost Sample ID (ID vzorca) in potrdite.
3. S tipko ▲ ali ▼ izberite:

Možnost	Opis
<b>Automatic (samodejno)</b>	Vsakemu vzorcu bo samodejno dodeljena zaporedna številka.
<b>Manual (ročno)</b>	Pred merjenjem je treba s tipkovnico ali čitalnikom črtnih kod vnesti ID vzorca (do 15 znakov).

### Izbira podatkovnega izhoda

Podatke je mogoče shraniti ali pa poslati tiskalniku ali računalniku.

1. V glavnem meniju s tipko ▲ ali ▼ izberite možnost SYSTEM (sistem). Potrdite.

- S tipko ▲ ali ▼ izberite možnost Data output (podatkovni izhod) in potrdite.
- S tipko ▲ ali ▼ izberite:

Možnost	Opis
<b>Deactivated (izklopljeno)</b>	Če merilnik ni povezan s tiskalnikom ali računalnikom, izberite možnost Deactivated (izklopljeno).
<b>For Printer (za tiskalnik)</b>	Izberite možnost Dot matrix printer (matrični tiskalnik) ali Thermal printer (termični tiskalnik).
<b>For Computer (za računalnik)</b>	Izberite Terminal, LabCom ali LabCom Easy. S programsko opremo LabCom lahko prek računalnika upravljate različne module, merilnike pH-vrednosti in prevodnosti, samodejne birete, vzorčevalnike in drugo opremo. Programska oprema LabCom Easy je namenjena pridobivanju podatkov o pH-vrednosti in prevodnosti iz računalnika.

## Sprememba datuma in časa

Datum in čas lahko spremenite v meniju Date / Time (datum/čas).

- V glavnem meniju s tipko ▲ ali ▼ izberite možnost SYSTEM (sistem). Potrdite.
- S tipko ▲ ali ▼ izberite možnost Date / Time (datum/čas) in potrdite.
- S tipko ◀ in ▶ se pomaknite na naslednji korak ter spremenite vrednost s tipko ▲ ali ▼. Potrdite.  
Na zaslonu bosta prikazana trenutni datum in čas.

## Nastavitev kontrasta zaslona

- V glavnem meniju s tipko ▲ ali ▼ izberite možnost SYSTEM (sistem). Potrdite.
- S tipko ▲ ali ▼ izberite možnost Display contrast (kontrast zaslona) in potrdite.
- S tipkama ◀ in ▶ nastavite kontrast zaslona in potrdite.

## Prilaganje temperature

Meritev temperature je mogoče za večjo natančnost prilagoditi pri 25 °C (77 °F) in/ali 85 °C (185 °F).

- V posodo z vodo s približno 25 °C postavite sondo in referenčni termometer ter počakajte, da se temperatura umiri.
- Primerjajte temperaturo, ki jo izmeri merilnik, s temperaturo referenčnega termometra. Razlika je vrednost prilagoditve za merilnik.  
Primer: referenčni termometer: 24,5 °C; merilnik: 24,3 °C. Vrednost prilagoditve: 0,2 °C.
- Vnesite vrednost prilagoditve za meritev 25 °C:
  - V glavnem meniju s tipko ▲ ali ▼ izberite možnost SYSTEM (sistem). Potrdite.
  - S tipko ▲ ali ▼ izberite možnost Readjust temp. (znova prilagodi temperaturo) in potrdite.
  - Izberite možnost Channel 1 (kanal 1) ali Channel 2 (kanal 2) in potrdite. Temperaturo za kanal 1 izmerj prevodnostna celica, temperaturo za kanal 2 pa pH-sonda. Če prevodnostna celica ni priključena, je treba vrednost temperature v merilnik vnesti ročno ali pa uporabiti temperaturo, izmerjeno za kanal 2.
  - S tipko ▲ ali ▼ izberite možnost 25 °C in potrdite.
  - S puščičnima tipkama vnesite vrednost prilagoditve za 25 °C. Potrdite.
- V posodo z vodo s približno 85 °C postavite sondo in referenčni termometer ter počakajte, da se temperatura umiri.
- Primerjajte temperaturo merilnika s temperaturo referenčnega termometra. Razlika je vrednost prilagoditve za merilnik.
  - S tipko ▲ ali ▼ izberite možnost 85 °C in potrdite.
  - S puščičnima tipkama vnesite vrednost prilagoditve za 85 °C. Potrdite.
  - Izberite možnost Save changes (shrani spremembe) in potrdite.

## Spreminjanje nastavitve mešanja

V meniju Stirring (mešanje) lahko vklopite magnetni mešalnik in spremenite hitrost mešanja.

1. V glavnem meniju s tipko ▲ ali ▼ izberite možnost SYSTEM (sistem). Potrdite.
2. S tipko ▲ ali ▼ izberite možnost Stirring (mešanje) in potrdite.
3. Za vklop/izklop mešalnika pritisnite tipko ✓.
4. Ko je mešalnik vklopljen, lahko s tipko ▲ ali ▼ nastavljate hitrost mešanja (v %).

**Napotek:** Med umerjanjem ali meritvijo lahko hitrost mešanja nastavljate s tipko ▲ ali ▼.

## Vklop in izklop mešalnika

Mešalnik 1 deluje s kanaloma 1 in 2 (mešalnik 1). Drugi mešalnik lahko priklopite na kanal 2 (mešalnik 2). Za vklop mešalnika 2 glejte naslednje korake.

1. V glavnem meniju s tipko ▲ ali ▼ izberite možnost SYSTEM (sistem). Potrdite s tipko ✓.
2. S tipko ▲ ali ▼ izberite možnost Stirrer N.2 (mešalnik 2) in potrdite s tipko ✓.
3. S tipko ▲ ali ▼ izberite možnost YES (da), da vklopite mešalnik 2.  
**Napotek:** Za izklop mešalnika 2 izberite možnost NO (ne).

## Sprememba enote za temperaturo

Izbirate lahko med stopinjami Celzija ali Fahrenheita.

1. V glavnem meniju s tipko ▲ ali ▼ izberite možnost SYSTEM (sistem). Potrdite.
2. S tipko ▲ ali ▼ izberite možnost Temperature units (temperaturne enote) in potrdite.
3. S tipko ▲ ali ▼ izberite možnost Celsius ali Fahrenheit in potrdite.

## Zapisovalnik podatkov

### Prikazani podatki

Dnevnik prikaza podatkov zajema Measurement data (podatki o meritvah), Electrode report (poročilo o elektrodi) in Calibration data (podatki o umerjanju). Shranjene podatke lahko pošljete tiskalniku ali računalniku. Ko je podatkovni dnevnik poln (400 podatkovnih točk), so ob dodajanju novih podatkov najprej izbrisani stari.

1. S tipko ◀ ali ▶ izberite možnost Channel 1 (Kanal 1) ali Channel 2 (Kanal 2) in potrdite.
2. V glavnem meniju s tipko ▲ ali ▼ izberite možnost SYSTEM (sistem). Potrdite.
3. S tipko ▲ ali ▼ izberite možnost DATA LOGGER (beleženje podatkov) in potrdite.
4. S tipko ▲ ali ▼ izberite možnost Display data (prikaz podatkov) in potrdite.
5. S tipko ▲ ali ▼ izberite:

Možnost	Opis
<b>Measurement data (podatki o meritvah)</b>	Podatki o meritvah – shranjeni samodejno ob vsakem merjenju vzorca
<b>Electrode report (poročilo o elektrodi)</b>	Poročilo o elektrodi – samodejno shranjena zgodovina elektrodi in pogoji ob merjenju
<b>Calibration data (podatki o umerjanju)</b>	Podatki o umerjanju – samodejno shrani trenutno umeritev

### Brisanje podatkov

Izbrisati je mogoče vse podatke o meritvah ali dnevnik s poročilom o elektrodi in tako odstraniti podatke, ki so bili že poslani tiskalniku ali računalniku.

1. V glavnem meniju s tipko ▲ ali ▼ izberite možnost SYSTEM (sistem). Potrdite.

- S tipko ▲ ali ▼ izberite možnost DATA LOGGER (beleženje podatkov) in potrdite.
- S tipko ▲ ali ▼ izberite možnost Erase (izbriši) in potrdite.
- S tipko ▲ ali ▼ izberite možnost Measurement data (podatki o meritvah) ali Electrode report (poročilo elektrode) in potrdite. Za brisanje podatkov znova potrdite. Celoten dnevnik je izbrisan naenkrat.

## Pošiljanje podatkov tiskalniku ali računalniku

### OPOMBA

Da bo meni Print (tiskanje) na voljo, morate najprej izbrati podatkovni izhod (tiskalnik ali računalnik) (glejte [Izbira podatkovnega izhoda](#) na strani 353).

**Napotek:** Za izbiro oblike poročila glejte [Oblika poročila](#) na strani 356.

- V glavnem meniju s tipko ▲ ali ▼ izberite možnost SYSTEM (sistem). Potrdite.
- S tipko ▲ ali ▼ izberite možnost DATA LOGGER (beleženje podatkov) in potrdite.
- S tipko ▲ ali ▼ izberite možnost Print (tiskanje) in potrdite. Za tiskanje podatkov izberite eno naslednjih možnosti in potrdite s tipko ✓: Measurement data (podatki o meritvah), Electrode data (podatki o elektrodah), Calibration data (podatki o umerjanju), Calibration report (poročilo o umerjanju) ali Instrument condit. (stanje instrumenta).

## Oblika poročila

### OPOMBA

Da bo meni Type of report (vrsta poročila) na voljo, morate najprej izbrati podatkovni izhod (tiskalnik ali računalnik) (glejte [Izbira podatkovnega izhoda](#) na strani 353).

Ko je priklopljen računalnik ali tiskalnik, lahko izbirate med različnimi oblikami poročil.

- V glavnem meniju s tipko ▲ ali ▼ izberite možnost SYSTEM (sistem). Potrdite.

- S tipko ▲ ali ▼ izberite možnost Type of report (vrsta poročila) in potrdite.
- Ko je priklopljen tiskalnik ali računalnik s terminalom, s tipko ▲ ali ▼ izberite:

Možnost	Opis
<b>Reduced (omejeno)</b>	Izberite število vzorcev za izhodno obliko: Several (več) ali One (eden)
<b>Standard</b>	Izberite število vzorcev za izhodno obliko: Several (več) ali One (eden). Izberite možnost Several: <b>Users</b> (uporabniki): na poročilu bo natisnjeno ime uporabnika (17 znakov). <b>Header</b> (glava): kot glavo, ki bo natisnjena na poročilu, lahko dodate ime podjetja (40 znakov). <b>Identify sensor</b> (identifikacija senzorja): na poročilo za tiskanje lahko dodate model in serijsko številko senzorja.
<b>GLP</b>	Izberite število vzorcev za izhodno obliko: Several (več) ali One (eden). Izberite možnost Several: <b>Users</b> (uporabniki): na poročilu bo natisnjeno ime uporabnika (17 znakov). <b>Header</b> (glava): kot glavo, ki bo natisnjena na poročilu, lahko dodate ime podjetja (40 znakov). <b>Identify sensor</b> (identifikacija senzorja): na poročilo za tiskanje lahko dodate model in serijsko številko senzorja.
4.	Ko je merilnik povezan z računalnikom in je izbrana programska oprema LabCom Easy (za dodatne informacije glejte <a href="#">Izbira podatkovnega izhoda</a> na strani 353), za izbiranje pritisnite tipko ▲ ali ▼

Možnost	Opis
<b>Users (uporabniki)</b>	Na poročilu bo natisnjeno ime uporabnika (17 znakov).
<b>Identify sensor (identifikacija senzorja)</b>	Na poročilo za tiskanje lahko dodate model in serijsko številko senzorja.



## Vzdrževanje

### ▲ OPOZORILO

Različne nevarnosti Ne razstavljajte instrumenta, da bi opravljali vzdrževalna ali servisna dela. Če je treba očistiti ali popraviti notranje dele, se obrnite na proizvajalca.

### ▲ PREVIDNO

Nevarnost osebnih poškodb. Opravila, opisana v tem delu priročnika, lahko izvaja samo usposobljeno osebje.

## Čiščenje instrumenta

### OPOMBA

Instrumenta, zaslona in dodatne opreme nikoli ne čistite s sredstvi, kot so terpentini, aceton ali podobni izdelki.

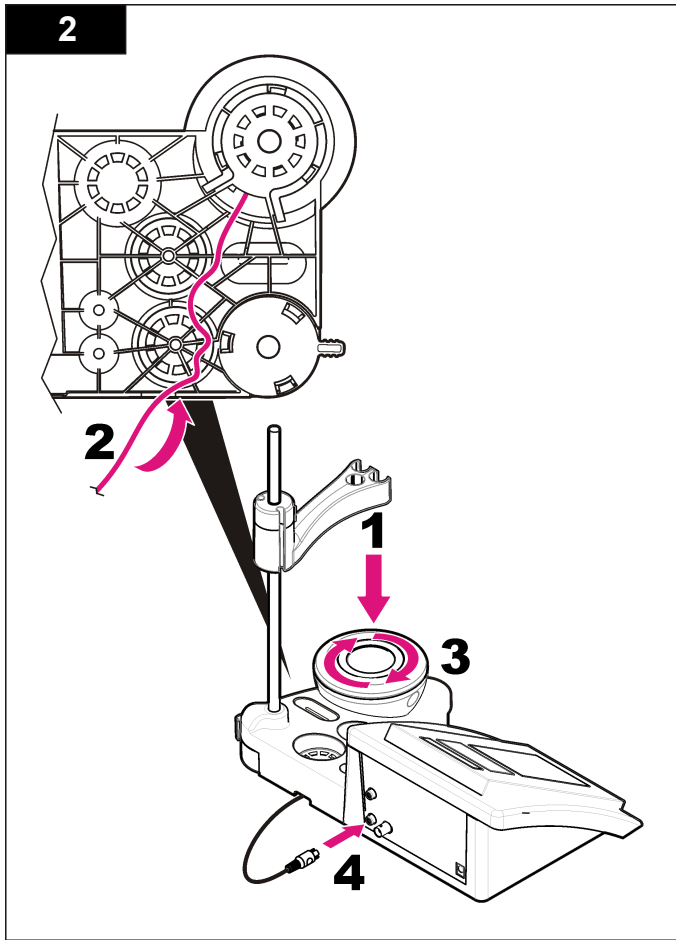
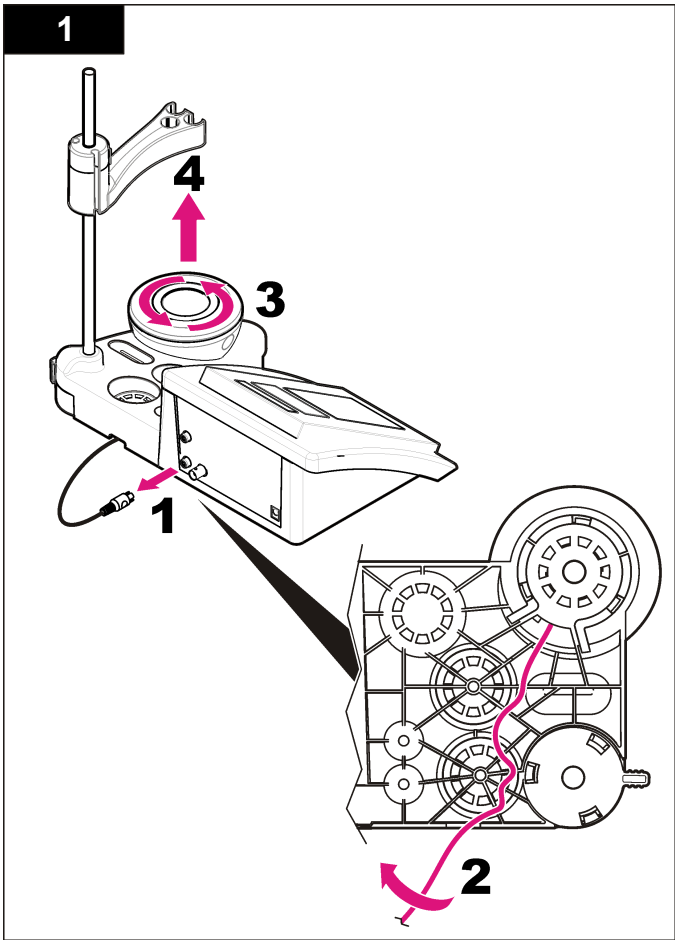
Zunanost instrumenta očistite z vlažno krpo in blago milno raztopino.

## Čiščenje sonde

Sondo čistite po potrebi. Za dodatne informacije o čiščenju glejte [Odpravljanje težav](#) na strani 359. Za informacije o vzdrževanju sonde glejte dokumentacijo sonde.

## Zamenjava magnetnega mešalnika

Če se magnetni mešalnik ne zažene, sledite oštevilčenim korakom za zamenjavo.



## Odpravljanje težav

V naslednji tabeli so navedena najpogostejša sporočila o napakah ali simptomih, možni vzroki in ukrepi.

**Tabela 1 Opozorila in napake pri umerjanju**

Napaka/opozorilo	Rešitev
Asymmetry > 58 mV (asimetrija > 58 mV)	Naklon je zunaj razpona (dopustne vrednosti so $\pm$ 58 mV). Ponovite umerjanje. Priključite novo sondo.
Buffer or electrode in poor conditions (slabo stanje pufru ali elektrode).	Preglejte sondo. Očistite sondo (za dodatne informacije glejte <a href="#">Čiščenje sonde</a> na strani 357); preverite, da v membrani ni zračnih mehurčkov. Stresite sondo kot termometer; priključite drugo sondo, da preverite, ali težave povzročata sonda ali merilnik.  Preverite pufersko raztopino; preverite, ali uporabljeni pufer ustreza pufru, izbranem v konfiguraciji; preverite specifikacijo temperature v konfiguraciji; uporabite novo pufersko raztopino.
BUFFER NOT RECOGNIZED (pufer ni prepoznan)	Znova umerite. Preglejte sondo. Očistite sondo (za dodatne informacije glejte <a href="#">Čiščenje sonde</a> na strani 357); preverite, da v membrani ni zračnih mehurčkov. Stresite sondo kot termometer; priključite drugo sondo, da preverite, ali težave povzročata sonda ali merilnik.
Sens. (a) < 70 % (senzor (a) < 70 %)	Preverite pufersko raztopino; preverite, ali uporabljeni pufer ustreza pufru, izbranem v konfiguraciji; preverite specifikacijo temperature v konfiguraciji; uporabite novo pufersko raztopino.

**Tabela 1 Opozorila in napake pri umerjanju (nadaljevanje)**

Napaka/opozorilo	Rešitev
UNSTABLE READING (nestabilna meritev) Time $\triangleright$ 100 s (čas $\triangleright$ 100 s)	Znova umerite. Preglejte sondo. Očistite sondo (za dodatne informacije glejte <a href="#">Čiščenje sonde</a> na strani 357); preverite, da v membrani ni zračnih mehurčkov. Stresite sondo kot termometer; priključite drugo sondo, da preverite, ali težave povzročata sonda ali merilnik.  Preverite, ali sta membrana in diafragma pravilno potopljeni v vzorec.
Check temperature (preverite temperaturo). Check electrode (preverite elektrodo)	Preverite določitev temperature v konfiguraciji. Preglejte sondo. Očistite sondo (za dodatne informacije glejte <a href="#">Čiščenje sonde</a> na strani 357); preverite, da v membrani ni zračnih mehurčkov. Stresite sondo kot termometer; priključite drugo sondo, da preverite, ali težave povzročata sonda ali merilnik.
Electrode in poor conditions (elektroda v slabem stanju)	Preglejte sondo. Očistite sondo (za dodatne informacije glejte <a href="#">Čiščenje sonde</a> na strani 357); preverite, da v membrani ni zračnih mehurčkov. Stresite sondo kot termometer; priključite drugo sondo, da preverite, ali težave povzročata sonda ali merilnik.
Check the electrode (Preverite elektrodo).	
SAME BUFFERS (enaka pufru)	Znova umerite. Preglejte sondo. Očistite sondo (za dodatne informacije glejte <a href="#">Čiščenje sonde</a> na strani 357); preverite, da v membrani ni zračnih mehurčkov. Stresite sondo kot termometer; priključite drugo sondo, da preverite, ali težave povzročata sonda ali merilnik.  Preverite pufersko raztopino; uporabite novo pufersko raztopino.

**Tabela 2 Opozorila in napake pri merjenju**

Napaka/opozorilo	Rešitev
pH 12,78 pri 19 °C	Znova umerite
pH out of range (pH zunaj razpona)	Preglejte sondo. Očistite sondo (za dodatne informacije glejte <a href="#">Čiščenje sonde</a> na strani 357); preverite, da v membrani ni zračnih mehurčkov. Stresite sondo kot termometer; priključite drugo sondo, da preverite, ali težave povzroča sonda ali merilnik.
Temp out of range °C (temperatura zunaj razpona °C)	Preglejte senzor temperature. Priključite drugo sondo, da preverite, ali težave povzroča sonda ali merilnik.
Time > 60 s (čas > 60 s)	Preverite, ali sta membrana in diafragma pravilno potopljeni v vzorec.
Time > 150 s (čas > 150 s)	Preverite temperaturo.
Time > 300 s (čas > 300 s)	Preglejte sondo. Očistite sondo (za dodatne informacije glejte <a href="#">Čiščenje sonde</a> na strani 357); preverite, da v membrani ni zračnih mehurčkov. Stresite sondo kot termometer; priključite drugo sondo, da preverite, ali težave povzroča sonda ali merilnik.
10.389mg/L >>>>> 00012 00:13	Merjenje ISE: izmerjena vrednost presega najvišji standard, uporabljen pri umerjanju. Znova izmerite.
0.886mg/L <<<<<< 00018 00:11	Merjenje ISE: izmerjena vrednost je nižja od najnižjega standarda, uporabljenega pri umerjanju. Znova izmerite.

## Nadomestni deli in dodatna oprema

**Napotek:** Za nekatere prodajne regije se lahko številka izdelka in artikla razlikuje. Za kontaktne informacije stopite v stik z ustreznim prodajalcem ali pa jih poiščite na spletni strani podjetja.

## Nadomestni deli

Opis	Št. elementa
sensION+ PH3, laboratorijski pH-merilnik z dodatno opremo, brez sonde	LPV2000.98.0002
sensION+ PH31, laboratorijski pH-merilnik, GLP, z dodatno opremo, brez sonde	LPV2100.98.0002
sensION+ MM340, laboratorijski merilnik pH-vrednosti in ionske moči, GLP, 2 kanala, z dodatno opremo, brez sonde	LPV2200.98.0002
sensION+ EC7, laboratorijski merilnik prevodnosti, z dodatno opremo, brez sonde	LPV3010.98.0002
sensION+ EC71, laboratorijski merilnik prevodnosti, GLP, z dodatno opremo, brez sonde	LPV3110.98.0002
sensION+ MM374, 2-kanalni laboratorijski merilnik, GLP, dodatna oprema, brez sond	LPV4110.98.0002

## Potrošni material

Opis	Št. elementa
Puferska raztopina pH 4,01; s certifikatom, 125 mL	LZW9460.99
Puferska raztopina pH 7,00; s certifikatom, 125 mL	LZW9461.98
Puferska raztopina pH 10,01; s certifikatom, 125 mL	LZW9470.99
Puferska raztopina pH 4,01; s certifikatom, 250 mL	LZW9463.99
Puferska raztopina pH 7,00; s certifikatom, 250 mL	LZW9464.98
Puferska raztopina pH 10,01; s certifikatom, 250 mL	LZW9471.99
Puferska raztopina pH 4,01; s certifikatom, 1000 mL	LZW9466.99
Puferska raztopina pH 7,00; s certifikatom, 1000 mL	LZW9467.98
Puferska raztopina pH 10,01; s certifikatom, 1000 mL	LZW9472.99
Elektrolitska raztopina (KCl 3 M), 125 mL	LZW9510.99

## Nadomestni deli in dodatna oprema (nadaljevanje)

Opis	Št. elementa
Elektrolitska raztopina (KCl 3 M), 250 ml	LZW9500.99
Elektrolitska raztopina (KCl 3 M), 50 ml	LZW9509.99
Elektrolitska raztopina 0,1 M, 125 ml	LZW9901.99
Encimska raztopina	2964349
Čistilna raztopina s pepsinom	2964349
Čistilna raztopina za elektrode	2965249
Raztopina 0,1 N HCl	1481253

### Pribor

Opis	Št. elementa
Termični tiskalnik, RS232, za namizne merilnike sensION+	LZW8201.99
Termični papir za tiskanje LZW8201, paket s 5 zvitki	LZW9117.99
Iglični tiskalnik, RS232, za instrumente sensION+	LZW8200.99
Standardni papir za tiskalnike LZW8200, paket z 10 zavitki	LZW9000.99
Trak za tiskalnik LZW8200, 3 kosi	LZW9001.99
Programska oprema za računalnik LabCom Easy, za instrumente sensION+ GLP, CD, kabel, USB-vmesnik	LZW8997.99
Programska oprema za računalnik LabCom, za instrumente sensION+ GLP, CD, kabel, USB-vmesnik	LZW8999.99
Kabel RS232, za namizne instrumente sensION+	LZW9135.99
Kabel RS232 za namizne instrumente sensION+, z USB-vmesnikom	LZW9135USB.99
Magnetni mešalnik z držalom za senzor, za namizne instrumente sensION+ MM	LZW9319.99

## Nadomestni deli in dodatna oprema (nadaljevanje)

Opis	Št. elementa
3 50-mililitrske potiskane čaše za umerjanje pH-vrednosti za namizne instrumente	LZW9110.98
Držalo za tri senzorje, za namizne instrumente sensION+	LZW9321.99
Držalo in sponka za tri senzorje	LZW9155.99
Steklena komora (pyrex), neprekinjene meritve pretoka	LZW9118.99
Zaščita (PP), shranjevanje elektrod	LZW9161.99

## Standardne raztopine

### Tehnične puferne raztopine (DIN 19267)

Za pH-vrednost in ORP (mV) določenih puferkih kompletov pri različnih temperaturah glejte [Tabela 3](#).

**Tabela 3 Vrednosti pH, ORP (mV) in temperature**

Temperatura		pH					mV
°C	°F						
0	32	2,01	4,01	7,12	9,52	10,30	—
10	50	2,01	4,00	7,06	9,38	10,17	245
20	68	2,00	4,00	7,02	9,26	10,06	228
<b>25</b>	<b>77</b>	<b>2,00</b>	<b>4,01</b>	<b>7,00</b>	<b>9,21</b>	<b>10,01</b>	<b>220</b>
30	86	2,00	4,01	6,99	9,16	9,96	212
40	104	2,00	4,03	6,97	9,06	9,88	195
50	122	2,00	4,06	6,97	8,99	9,82	178
60	140	2,00	4,10	6,98	8,93	9,76	160
70	158	2,01	4,16	7,00	8,88	—	—

**Tabela 3 Vrednosti pH, ORP (mV) in temperature (nadaljevanje)**

Temperatura		pH					mV
°C	°F						
80	176	2,01	4,22	7,04	8,83	—	—
90	194	2,01	4,30	7,09	8,79	—	—

**Puferske raztopine (DIN 19266)**

Za pH-vrednost in ORP (mV) določenih puferskih kompletov pri različnih temperaturah glejte [Tabela 4](#).

**Tabela 4 Vrednosti pH, ORP (mV) in temperature**

Temperatura		pH					mV	
°C	°F							
5	32	1,668	4,004	6,951	7,087	9,395	10,245	13,207
10	50	1,670	4,000	6,923	7,059	9,332	10,179	13,003
20	68	1,675	4,001	6,881	7,016	9,225	10,062	12,627
<b>25</b>	<b>77</b>	<b>1,679</b>	<b>4,006</b>	<b>6,865</b>	<b>7,000</b>	<b>9,180</b>	<b>10,012</b>	<b>12,454</b>
30	86	1,683	4,012	6,853	6,987	9,139	9,966	12,289
40	104	1,694	4,031	6,838	6,970	9,068	9,889	11,984
50	122	1,707	4,057	6,833	6,964	9,011	9,828	11,705
60	140	1,723	4,085	6,836	6,968	8,962	—	11,449
70	158	1,743	4,126	6,845	6,982	8,921	—	—
80	176	1,766	4,164	6,859	7,004	8,885	—	—
90	194	1,792	4,205	6,877	7,034	8,850	—	—

## Specifikacije

Specifikacije se mogu promijeniti bez prethodne najave.

Specifikacije	Pojedinosti
Dimenzije	35 x 20 x 11 cm (13,78 x 7,87 x 4,33 inča)
Težina	1100 g (2,43 lb)
Kućište mjerača	IP42
Zahtjevi napajanja (vanjski)	100–240 V, 0,4 A, 47-63 Hz
Klasa zaštite mjerača	Klasa II
Temperatura za pohranu	–15 do +65°C (5 do +149°F)
Radna temperatura	0 do 40°C (41 do 104°F)
Vlaga pri radu	< 80% (bez kondenzacije)
Rezolucija	pH: 0,1/0,01/0,001, ORP: 0,1/1 mV, ISE: mogućnost programiranja, temperatura: 0,1°C (0,18°F)
Pogreška kod mjerenja (± 1 znamenka)	pH: ≤ 0,002, ORP: ≤ 0,2 mV, temperatura: ≤ 0,2°C (≤ 0,36°F)
Mogućnost reprodukcije (± 1 znamenka)	pH: ± 0,001, ORP: ± 0,1 mV, temperatura: ± 0,1°C (± 0,18°F)
Pohrana podataka	330 rezultata i posljednjih 9 kalibracija
Spojevi	2 kombinirane ili sonda s indikatorom: BNC priključak (Imp. >10 <sup>12</sup> Ω); 2 referentne elektrode: banana priključak; A.T.C. vrste Pt 1000: banana ili telefonski priključak, magnetska miješalica: RCA priključak; 2 magnetske miješalice: RCA priključak
Korekcija temperature	Ručna, Pt 1000 temperaturna sonda (A.T.C.), izopotencijalna pH s mogućnošću programiranja, standardna vrijednost 7,00
Blokada prikaza mjerenja	Trajno mjerenje, prema stabilnosti

Specifikacije	Pojedinosti
Zaslون	Tekući kristali, pozadinsko osvjetljenje, 128 x 64 točaka
Tipkovnica	PET sa zaštitnim slojem
Certifikati	CE

## Opći podaci

Izmijenjena izdanja se nalaze na proizvođačevoj web stranici.

## Sigurnosne informacije

### **OBAVIJEST**

Proizvođač nije odgovoran za štetu zbog nepravilne primjene ili nepravilne uporabe ovog proizvoda uključujući, bez ograničenja, izravnu, slučajnu i posljedičnu štetu i odriče se odgovornosti za takvu štetu u punom opsegu dopuštenom prema primjenjivom zakonu. Korisnik ima isključivu odgovornost za utvrđivanje kritičnih rizika primjene i za postavljanje odgovarajućih mehanizama za zaštitu postupaka tijekom mogućeg kvara opreme.

Prije raspakiranja, postavljanja ili korištenja opreme pročitajte cijeli ovaj korisnički priručnik. Poštujte sva upozorenja na opasnost i oprez. Nepoštivanje ove upute može dovesti do tjelesnih ozljeda operatera ili oštećenja na opremi.

Uvjerite se da zaštita koja se nalazi uz ovu opremu nije oštećena. Ne koristite i ne instalirajte ovu opremu na bilo koji način koji nije naveden u ovom priručniku.

## Upotreba upozorenja

### **▲ OPASNOST**

Označava potencijalno ili neposredno opasnu situaciju koja će, ako se ne izbjegne, dovesti do smrti ili ozbiljnih ozljeda.

### **▲ UPOZORENJE**

Označava potencijalno ili neposredno opasnu situaciju koja će, ako se ne izbjegne, dovesti do smrti ili ozbiljnih ozljeda.

## ⚠ OPREZ



Označava potencijalno opasnu situaciju koja će dovesti do manjih ili umjerenih ozljeda.

## OBAVIJEST

Označava situaciju koja, ako se ne izbjegne će dovesti do oštećenja instrumenta. Informacije koje je potrebno posebno istaknuti.

### Naljepnice za upozorenje na oprez

Pročitajte sve naljepnice i oznake na instrumentu. Ako se ne poštuju može doći do tjelesnih ozljeda ili oštećenja instrumenta. Simbol, ako se nalazi na instrumentu, bit će uključen u upozorenje za opasnost ili oprez u priručniku.

	Ovaj simbol, ako se nalazi na instrumentu, daje korisnički priručnik kao referencu za informacije o radu i/ili zaštiti.
	Električna oprema označena ovim simbolom ne smije se odlagati u europskim javnim odlagalištima nakon 12. kolovoza 2005. Sukladno europskim lokalnim i nacionalnim propisima (EU direktiva 2002/98/EC), korisnici električne opreme u Europi sada moraju staru ili isteklu opremu vratiti proizvođaču koji će je odložiti bez naknade. <b>Napomena:</b> Za vraćanje opreme za recikliranje obratite se proizvođaču opreme ili dobavljaču koji će vas obavijestiti o povratu opreme kojoj je istekao rok trajanja, te odlaganju električkih dodataka i sve dodatne opreme.

### Prikaz proizvoda

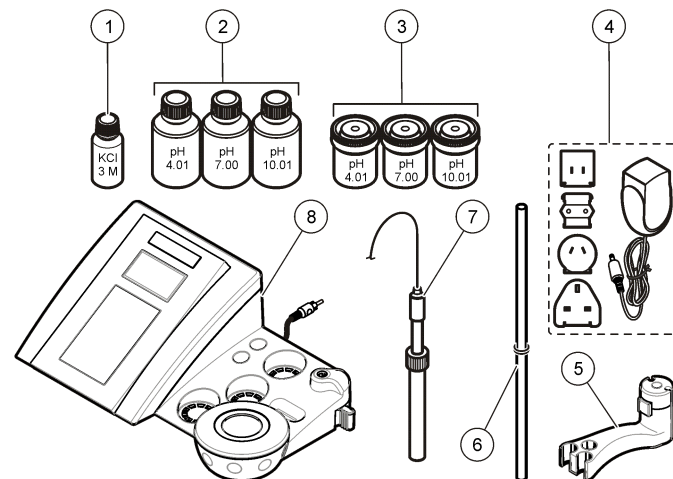
Mjerači sensION™+ koriste se uz sonde za mjerenje raznih parametara u vodi.

Mjerač sensION™+ MM340 ima dva kanala mjerenja za mjerenje pH, ORP (mV) ili ISE (koncentracije) sa selektivnom sondom. Podatke mjerenja možete spremiti i prenijeti na pisač ili računalo.

### Komponente proizvoda

Pogledajte [Slika 1](#) kako biste provjerili jesu li vam dostavljene sve komponente. Ako neki od ovih elemenata nedostaje ili je oštećen, odmah se obratite proizvođaču ili prodajnom predstavniku.

Slika 1 Komponente mjerača



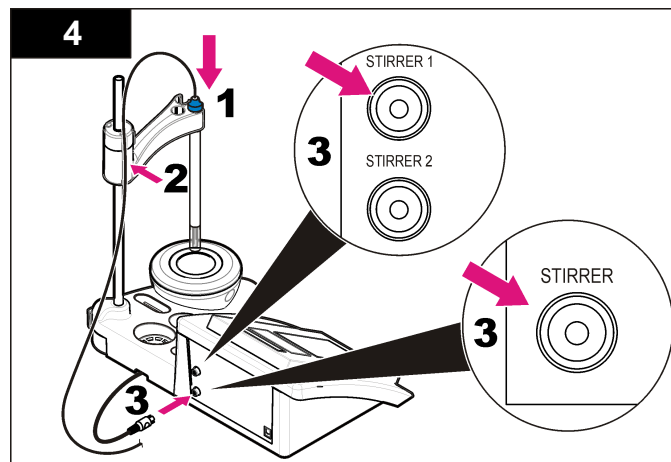
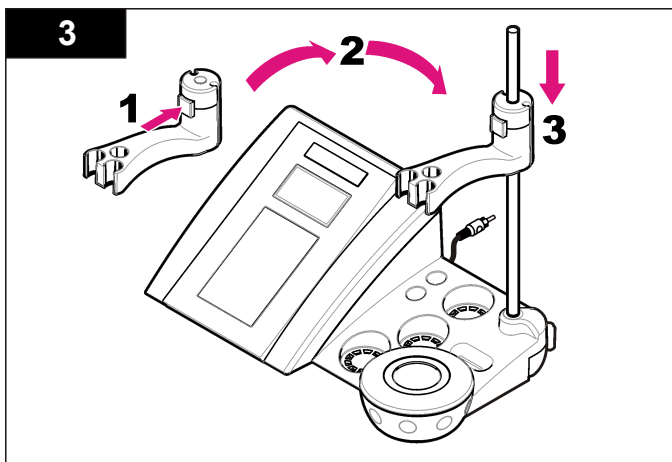
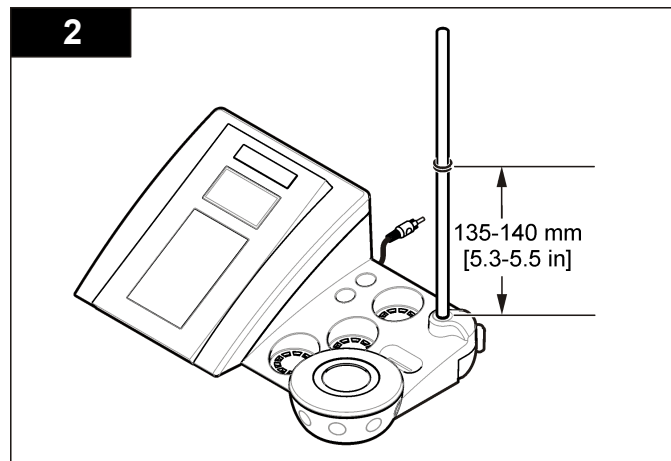
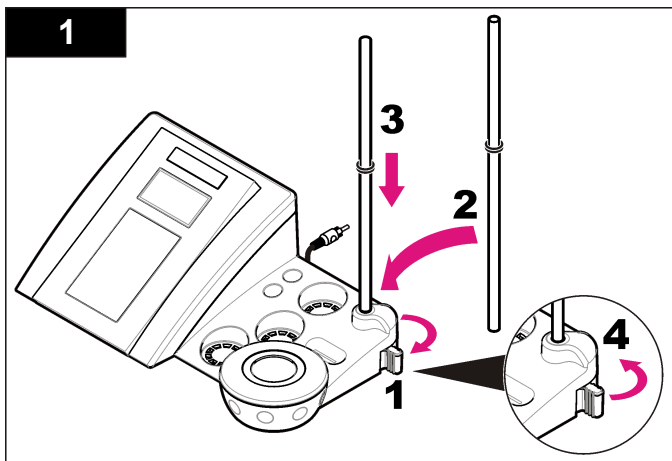
1 Elektrolit za sondu	5 Držač sonde
2 Puferske otopine (pH 4,01, pH 7,00 i pH 10,01)	6 Štap s prstenastom brtvom
3 Posude za kalibraciju (s magnetskim štapićem)	7 Sonda (isporučuje se samo s kompletima)
4 Napajanje	8 Mjerač

### Instalacija

#### Skupljanje držača sonde

Pratite numerirane korake za skupljanje držača sonde i priključivanje magnetske miješalice.





## Priključivanje izvora izmjeničnog napajanja

### ⚠ OPASNOST

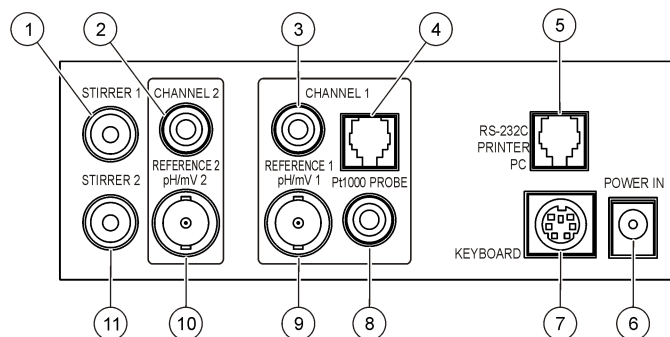


Opasnost od strujnog udara. Ako se ova oprema koristi na otvorenom ili na potencijalno mokrim lokacijama, za priključivanje uređaja na napajanje mora se koristiti zemljospojni prekidač.

Mjerač možete priključiti na izvor izmjeničnog napajanja preko univerzalnog adaptera.

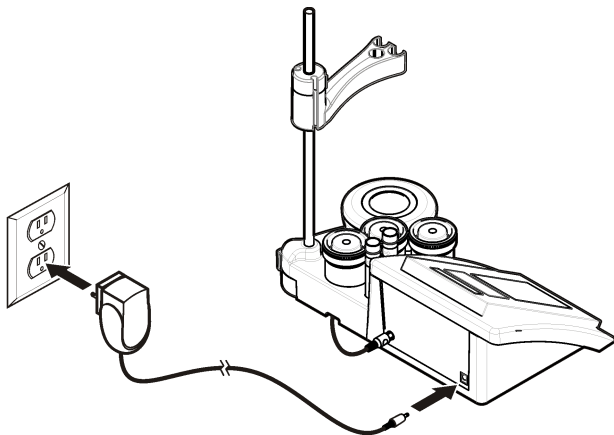
1. Iz kompleta adaptera odaberite odgovarajući priključak adaptera za strujni priključak.
2. Na mjerač priključite univerzalni adapter (Slika 2).
3. Univerzalni adapter uključite u utičnicu izmjenične struje (Slika 3).
4. Uključite mjerač.

Slika 2 Ploča s priključcima



1 Priključak magnetske miješalice 1, kanal 1	7 Računalna tipkovnica, mini DIN priključak
2 Priključak referentne elektrode (zasebne elektrode), kanal 1	8 Priključak temperaturne sonde, kanal 2
3 Priključak referentne elektrode (zasebne elektrode), kanal 2	9 Priključak kombinirane pH elektrode (ili indikatora), kanal 2
4 Priključak zasebne temperaturne sonde, kanal 2	10 Priključak kombinirane pH elektrode (ili indikatora), kanal 1
5 RS-232 za pisač ili računalni priključak	11 Priključak magnetske miješalice 2, kanal 2
6 Napajanje	

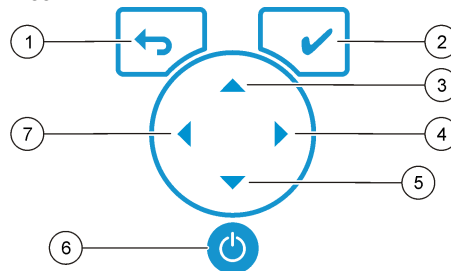
Slika 3 Priključak izmjeničnog napajanja



## Korisničko sučelje i navigacija

### Korisničko sučelje

#### Opis tipkovnice

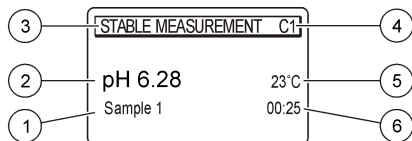


1 Tipka RETURN: zatvaranje trenutnog zaslona s izbornikom ili povratak na prethodni zaslon s izbornikom	5 Tipka prema dolje: prelazak na druge opcije, promjena vrijednosti
2 Tipka MEASUREMENT: potvrda odabrane opcije	6 Uključi/Isključi: uključivanje/isključivanje mjerača
3 Tipka prema gore: prelazak na druge opcije, promjena vrijednosti	7 Tipka ulijevo: odabir između kanala 1 i kanala 2, unos brojeva i slova
4 Tipka udesno: odabir između kanala 1 i kanala 2, unos brojeva i slova	

### Opis zaslona

Zaslon mjerača prikazuje koncentraciju, jedinice, temperaturu, status kalibracije, ID korisnika, ID uzorka, datum i vrijeme.

**Slika 4 Zaslonski prikaz s jednostrukim prikazom**



1 ID uzorka	4 Temperatura uzorka (°C ili °F)
2 Mjerna jedinica i vrijednost (pH, ORP (mV) ili ISE)	5 Vizualni mjerač vremena za mjerenje
3 Način mjerenja ili vrijeme i datum	

## Navigacija

Na prethodni izbornik vratite se pomoću tipke . Pomoću tipke za mjerenje izmjerite uzorak ili potvrdite opcije. Pomoću tipki sa strelicama možete se kretati kroz druge opcije ili mijenjati vrijednosti. Parametre promijenite pomoću tipki sa strelicama . Potražite specifične upute za svaki zadatak.

## Pokretanje

### Uključite i isključite mjerač.

#### **OBAVIJEST**

Prije uključivanja mjerača provjerite je li sonda priključena na mjerač.

Za uključivanje ili isključivanje mjerača pritisnite . Ako se mjerač ne uključi, provjerite je li napajanje izmjenične struje ispravno priključeno uz zidnu utičnicu.

## Promjena jezika

Jezik zaslona odabran je kad se po prvi put uključi mjerač.

1. Pomoću tipke ili odaberite jezik s popisa.

2. Potvrdite tipkom . Na zaslonu mjerenja prikazat će se DATA OUTPUT (Izlaz podataka).
3. Ako nije priključen pisač ili računalo, odaberite opciju Deactivated (Deaktivirano) i potvrdite. Dodatne informacije o izlazu podataka potražite pod [Odabir izlaza podataka](#) na stranici 371.

## Standardni rad

### Kalibracija

#### **▲ UPOZORENJE**

Opasnost od kemijskog izlaganja. Poštujte laboratorijske sigurnosne propise i opremite se svom odgovarajućom osobnom zaštitnom opremom s obzirom na kemikalije kojima ćete rukovati. Sigurnosne protokole potražite na trenutno važećim podatkovnim listovima za sigurnost materijala (MSDS).

### Postavke kalibracije

U postavkama za kalibraciju nalaze se opcije Calibration type (Vrsta kalibracije), Calibration frequency (Učestalost kalibracije) i Display options (Opcije prikaza).

1. Na glavnom zaslonu pomoću tipke ili odaberite opciju CALIBRATION (Kalibracija). Potvrdite.
2. Pomoću tipke otvorite izbornik kalibracije.
3. Pomoću tipke ili odaberite sljedeće opcije:

Opcija	Opis
<b>Stability C.:</b> (Kriterij stabilnosti:)	Kriterij prema stabilnosti—odaberite Fast (Brzo), Standard (Standardno) ili Strict (Strogo).
<b>Calibration type</b> (Vrsta kalibracije)	Vrsta kalibracije—odaberite Technical buffers (Tehničke puferske otopine), DIN19266 Buffers (DIN19266 puferske otopine), User Buffers (Korisničke puferske otopine), To a X value (Do vrijednosti X), Data introduction (Unos podataka) ili Theoretical calibration (Teoretska kalibracija). Za više informacija pogledajte <a href="#">Calibration types</a> .

Opcija	Opis
<b>Cal. frequency (Učestalost kalibracije)</b>	Podsjetnik za kalibraciju—možete odabrati 0–7 dana (prema zadanim vrijednostima svakodnevno). Zaslom će prikazati vrijeme preostalo do nove kalibracije. Za više informacija pogledajte <a href="#">Postavljanje podsjetnika za kalibraciju</a> na stranici 370.
<b>Display mV (Prikaz mV)</b>	Prikaz mV—odaberite YES (Da) ili NO (Ne) za prikaz vrijednosti mV.
<b>Standard 220 mV (Standardno 220 mV)</b>	Standardno 220 mV—kalibracija uz standardnu otopinu od 220 mV
<b>To a X value (Do vrijednosti X)</b>	Do vrijednosti X—upotreba specifične standardne otopine. Vrijednost podesite tijekom kalibracije.
<b>Data introduction (Unos podataka)</b>	Unos kompenzacijskih podataka—unos vrijednosti kompenzacije
<b>Factory adjust (Tvorničko podešavanje)</b>	Tvorničko podešavanje—unos vrijednosti kompenzacije

## Vrste kalibracije

Možete odabrati različite vrste kalibracije.

1. Na glavnom zaslonu pomoću tipke ▲ ili ▼ odaberite opciju CALIBRATION (Kalibracija). Potvrdite.
2. Pomoću tipke ▲ otvorite izbornik kalibracije.
3. Pomoću tipke ▲ ili ▼ odaberite vrstu kalibracije.

Opcija	Opis
<b>Technical buffers (Tehničke puferske otopine)</b>	pH 2,00, 4,01, 7,00, 9,21 i 10,01 pri 25 °C (77 °F)
<b>DIN19266 Buffers (DIN19266 puferske otopine)</b>	pH 1,679, 4,006, 6,865, 7,000, 9,180, 10,012 i 12,454

Opcija	Opis
<b>User Buffers (Korisničke puferske otopine)</b>	Odabiru se ako ne koristite tehničke ili DIN19266 puferske otopine. pH vrijednosti skupova specifičnih puferskih otopina pri varijabilnim temperaturama potražite pod <a href="#">Tehničke puferske otopine (DIN 19267)</a> na stranici 378.
<b>Calibration to a X value (Kalibracija do vrijednosti X)</b>	Ručno podešavanje bilo koje vrijednosti skaliranja izmjerenog pH.
<b>Data introduction (Unos podataka)</b>	Ručni unos konstante za sondu.
<b>Theoretical calibration (Teoretska kalibracija)</b>	Podaci za kalibraciju sonde mijenjaju se pri 25°C (77°F).

## Postupak kalibracije

Ovo je postupak za opću upotrebu s tekućim kalibracijskim otopinama. Dodatne informacije potražite u dokumentima koji su priloženi uz svaku sondu.

**Napomena:** Tijekom kalibracije, otopine je potrebno miješati. Dodatne informacije o postavkama miješanja potražite pod [Promjena postavki miješanja](#) na stranici 372.

1. Puferske ili kalibracijske otopine izlijte u označene kalibracijske posude.
2. Na glavnom zaslonu pomoću tipke ▲ ili ▼ te ◀ i ▶ odaberite parametar CALIBRATION (Kalibracija). Potvrdite.
3. Prema potrebi odaberite Operator ID (ID korisnika) (od 1 do 10) i potvrdite.
4. Isperite sondu deioniziranim vodom i postavite je u prvu kalibracijsku posudu. U membrani ne smije biti mjehurića zraka.
5. Za pokretanje kalibracije pritisnite ✓.
6. Za mjerenje prve kalibracijske otopine pritisnite ✓. Prikazat će se sljedeća kalibracijska otopina.
7. Isperite sondu deioniziranim vodom i postavite je u drugu kalibracijsku posudu. U membrani ne smije biti mjehurića zraka.
8. Za mjerenje druge kalibracijske otopine pritisnite ✓.

Prikazat će se sljedeća kalibracijska otopina.

9. Isperite sondu deioniziranom vodom i postavite je u treću kalibracijsku posudu. U membrani ne smije biti mjehurića zraka.

10. Za mjerenje treće kalibracijske otopine pritisnite ✓. Ako je kalibracija uspješna, na zaslonu će se nakratko prikazati Calibration OK (Kalibracija uspješna), a zatim će se prikazati glavni zaslon.

**Napomena:** Nakon što priključite pisač, otvorit će se izbornik za ispis i moći ćete ispisati rezultate.

## Pregled podataka kalibracije

Možete prikazati podatke najnovije kalibracije.

1. Na glavnom izborniku pomoću tipki ▲ ili ▼ odaberite DATA LOGGER (Bilježenje podataka). Potvrdite.
2. Odaberite Display data (Prikaz podataka).
3. Odaberite Calibration data (Podaci kalibracije) i potvrdite tipkom ✓. Prikazat će se podaci najnovije kalibracije.
  - pH-naizmjenično će se prikazivati vrijednosti nagiba i pomaka te odstupanje (u postocima) i temperatura kalibracije.
  - ORP-prikazat će se izmjerena mV vrijednost i temperatura kalibracije.
  - Vodljivost-prikazat će se konstanta kivete i temperatura kalibracije za svaki od standarda.

## Postavljanje podsjetnika za kalibraciju

Podsjetnik za kalibraciju možete postaviti na vrijednost između 0 i 23 sata ili 1-7 dana (zadana vrijednost je 1 dan). Zaslon će prikazati vrijeme preostalo do nove kalibracije.

**Napomena:** Odaberete li 0 dana, podsjetnik za kalibraciju će se isključiti.

1. Na glavnom zaslonu pomoću tipke ▲ ili ▼ odaberite opciju CALIBRATION (Kalibracija). Potvrdite.
2. Pomoću tipke ▲ otvorite izbornik kalibracije.
3. Pomoću tipke ▲ ili ▼ odaberite učestalost kalibracije i potvrdite.
4. Pomoću tipke ◀▶ prijdite na sljedeći korak, a pomoću tipke ▲ ili ▼ promijenite vrijednost. Potvrdite.

Za pokretanje kalibracije pritisnite ✓.

## Mjerenja uzoraka

Svaka sonda ima specifične korake za pripremu i postupke za obavljanje mjerenja uzoraka.

1. Na glavnom zaslonu pomoću tipke ▲ ili ▼ te ◀▶ odaberite opciju MEASURE (Mjerenje). Potvrdite.
2. Pomoću tipke ▲ promijenite sljedeće postavke. Potvrdite svaki unos.

Opcija	Opis
<b>Resolution (Razlučivost)</b>	Odaberite razlučivost: 1, 0.1, 0.01 (zadana vrijednost) ili 0.001
<b>Measure (Mjerenje)</b>	Stability (Stabilnost)—odaberite opciju By stability Criterion (Prema kriteriju stabilnosti): Fast (Brzo, odstupanje < 0,02 pH u 6 s), Standard (Standardno, odstupanje variation < 0,01 pH u 6 s) ili Strict (Strogo, odstupanje < 0,002 pH u 6 s). In continuous (Trajno)—unesite vremenski interval za In continuous Acquis. (Trajni dohvat) (pohrana ili ispis podataka). By time (Vremenski)—unesite vremenski interval za pohranu ili ispis podataka.
<b>Display mV (Prikaz mV)</b>	Prikaz mV—odaberite YES (Da) ili NO (Ne) za prikaz vrijednosti mV.
<b>Limits (Granice)</b>	Granice—odaberite YES (Da) ili NO (Ne). YES (Da): Unesite gornju i donju granicu. Prikazat će se akustičko upozorenje ako mjerenje bude izvan granica. Izlazno izvješće prikazat će A pored vrijednosti mjerenja u slučaju mjerenja izvan granica.
<b>Isopotential (Izopotencijal)</b>	Izopotencijal—promijenite pH vrijednost za Isopotential (Izopotencijal) pod Data introduction (Unos podataka). Za ponovnu kalibraciju sonde odaberite Calculate (Izračunaj).

3. Za pokretanje mjerenja pritisnite ✓.

**Napomena:** Ako se mjerenje ne stabilizira nakon 120 sekundi, mjerač će automatski prijeći u način rada za trajno mjerenje.

## Napredni rad

### Promjena mjernih jedinica

Mjerne jedinice možete mijenjati zasebno za svaki od kanala.

1. Na glavnom zaslonu pomoću tipke ▲ ili ▼ odaberite opciju SYSTEM (Sustav). Potvrdite.
2. Pomoću tipke ▲ ili ▼ odaberite mjerne jedinice i potvrdite.
3. Odaberite Channel 1 (Kanal 1) ili Channel 2 (Kanal 2) i potvrdite.
4. Odaberite ORP (mV), pH ili ISE i potvrdite.

### Koristite ID uzorka

Oznaka ID uzorka se koristi za pridruživanje očitavanja s određenom lokacijom uzorka. Ako je pridružena, pohranjeni podaci uključivat će ovaj ID.

1. Na glavnom zaslonu pomoću tipke ▲ ili ▼ odaberite opciju SYSTEM (Sustav). Potvrdite.
2. Pomoću tipke ▲ ili ▼ odaberite Sample ID (ID uzorka) i potvrdite.
3. Pomoću tipke ▲ ili ▼ odaberite

Opcija	Opis
<b>Automatic (Automatski)</b>	Svakom će se sljedećem uzorku dodijeliti veći redni broj.
<b>Manual (Ručno)</b>	Za unos naziva za ID uzorka prije mjerenja (maksimalno 15 znakova) bit će potrebna tipkovnica ili čitač bar koda.

### Odabir izlaza podataka

Podatke možete pohraniti ili prenijeti na pisač ili računalo.

1. Na glavnom zaslonu pomoću tipke ▲ ili ▼ odaberite opciju SYSTEM (Sustav). Potvrdite.
2. Pomoću tipke ▲ ili ▼ odaberite opciju Data Output (Izlaz podataka) i potvrdite.

3. Pomoću tipke ▲ ili ▼ odaberite

Opcija	Opis
<b>Deactivated (Deaktivirano)</b>	Ako nije priključen pisač ili računalo, odaberite opciju Deactivated (Deaktivirano).
<b>For Printer (Za pisač)</b>	Odaberite iglični (Dot matrix) ili termalni (Thermal) pisač.
<b>For Computer (Za računalo)</b>	Odaberite Terminal, LabCom ili LabCom Easy. Softver LabCom putem računala kontrolira nekoliko modula, mjerne pH i vodljivosti, automatske birete, instrumente za uzimanje uzoraka itd. Softver LabCom Easy podatke o pH i vodljivosti očitava s računala.

### Promjena datuma i vremena

Datum i vrijeme mogu se promijeniti u izborniku Date / Time (Datum/vrijeme).

1. Na glavnom zaslonu pomoću tipke ▲ ili ▼ odaberite opciju SYSTEM (Sustav). Potvrdite.
2. Pomoću tipke ▲ ili ▼ odaberite datum/vrijeme i potvrdite.
3. Pomoću tipke ◀ i ▶ prijedite na sljedeći korak, a pomoću tipke ▲ ili ▼ promijenite vrijednost. Potvrdite.  
Trenutačni datum i vrijeme prikazuju se na zaslonu.

### Podešavanje kontrasta zaslona

1. Na glavnom zaslonu pomoću tipke ▲ ili ▼ odaberite opciju SYSTEM (Sustav). Potvrdite.
2. Pomoću tipke ▲ ili ▼ odaberite kontrast zaslona i potvrdite ga.
3. Pomoću tipke ◀ i ▶ podesite kontrast zaslona i potvrdite ga.

### Podešavanje temperature

Mjerenje temperature možete podesiti na 25°C (77°F) i/ili 85°C (185°F) kako biste povećali preciznost.

1. Sondu i referentni termometar postavite u spremnik s vodom na otprilike 25°C i pričekajte da se temperatura stabilizira.
2. Usporedite temperaturu koju je očitao mjerac i onu s referentnog termometra. U razlici se očituje vrijednost podešavanja za mjerac. Primjer: referentni termometar: 24,5°C; mjerac: 24,3°C. Vrijednost podešavanja: 0,2°C.
3. Unesite vrijednost podešavanja za očitavanje od 25°C:
  - a. Na glavnom zaslonu pomoću tipke ▲ ili ▼ odaberite opciju SYSTEM (Sustav). Potvrdite.
  - b. Pomoću tipke ▲ ili ▼ odaberite opciju Readjust temp. (Podešavanje temperature) i potvrdite.
  - c. Odaberite Channel 1 (Kanal 1) ili Channel 2 (Kanal 2) i potvrdite. Temperatura za kanal 1 mjeri se kivetom za vodljivost, a za kanal 2 pH sondom. Ako nije priključena kiveta za vodljivost, potrebno je ručno unijeti vrijednost za temperaturu ili na mjerac možete primijeniti temperaturu izmjerenu u kanalu 2.
  - d. Pomoću tipke ▲ ili ▼ odaberite 25°C i potvrdite.
  - e. Pomoću tipki sa strelicama unesite vrijednost podešavanja za 25°C. Potvrdite.
4. Sondu i referentni termometar postavite u spremnik s vodom na oko 85°C i pričekajte dok se temperatura ne stabilizira.
5. Usporedite temperaturu s mjerača i onu s referentnog termometra. U razlici se očituje vrijednost podešavanja za mjerac.
  - a. Pomoću tipke ▲ ili ▼ odaberite 85°C i potvrdite.
  - b. Pomoću tipki sa strelicama unesite vrijednost podešavanja za 85°C. Potvrdite.
  - c. Odaberite Save changes (Spremi promjene) i potvrdite.

## Promjena postavki miješanja

Magnetsku miješalicu možete uključiti, a brzinu miješanja promijeniti u izborniku Stirring (Miješanje).

1. Na glavnom zaslonu pomoću tipke ▲ ili ▼ odaberite opciju SYSTEM (Sustav). Potvrdite.

2. Pomoću tipke ▲ ili ▼ odaberite opciju Stirring (Miješanje) i potvrdite.
3. Za uključivanje/isključivanje miješalice pritisnite ✓.
4. Nakon što uključite miješalicu, pomoću tipke ▲ ili ▼ promijenite brzinu miješanja u postocima.

**Napomena:** Pomoću tipke ▲ ili ▼ promijenite brzinu miješanja tijekom kalibracije i tijekom mjerenja.

## Uključivanje/isključivanje miješalice

Miješalica 1 radi na kanalu 1 i 2 (Stirrer 1). Drugu miješalicu možete priključiti na kanal 2 (Stirrer 2). Za aktivaciju miješalice 2 pratite sljedeće korake.

1. Na glavnom zaslonu pomoću tipke ▲ ili ▼ odaberite opciju SYSTEM (Sustav). Potvrdite tipkom ✓.
2. Pomoću tipke ▲ ili ▼ odaberite Stirrer N.2 (Miješalica 2) i potvrdite tipkom ✓.
3. Pomoću tipke ▲ ili ▼ odaberite YES (Da) kako biste uključili miješalicu 2.

**Napomena:** Odaberite NO (Ne) kako biste isključili miješalicu 2.

## Promjena jedinica za temperaturu

Jedinice za temperaturu možete promijeniti u Celsius ili Fahrenheit.

1. Na glavnom zaslonu pomoću tipke ▲ ili ▼ odaberite opciju SYSTEM (Sustav). Potvrdite.
2. Pomoću tipke ▲ ili ▼ odaberite jedinice temperature i potvrdite.
3. Pomoću tipke ▲ ili ▼ odaberite Celsius ili Fahrenheit i potvrdite.



## Dnevnik podataka

### Prikaz podataka

Dnevnik podataka Display (Prikaz) sadrži opcije Measurement data (Podaci mjerenja), Electrode report (Izvešće za elektrodu) i Calibration data (Podaci kalibracije). Spremljene podatke možete poslati na pišač ili računalo. Nakon popunjavanja dnevnika podataka (400 podatkovnih točaka), najstarija podatkovna točka će se izbrisati uslijed dodavanja nove podatkovne točke.

1. Pomoću tipki ◀ i ▶ odaberite Channel 1 (Kanal 1) ili Channel 2 (Kanal 2) i potvrdite.
2. Na glavnom zaslonu pomoću tipke ▲ ili ▼ odaberite opciju SYSTEM (Sustav). Potvrdite.
3. Pomoću tipke ▲ ili ▼ odaberite opciju DATA LOGGER (Bilježenje podataka) i potvrdite.
4. Pomoću tipke ▲ ili ▼ odaberite Display data (Prikaz podataka) i potvrdite.
5. Pomoću tipke ▲ ili ▼ odaberite

Opcija	Opis
<b>Measurement data (Podaci mjerenja)</b>	Podaci mjerenja—automatsko spremanje prilikom svakog mjerenja uzorka
<b>Electrode report (Izvešće za elektrodu)</b>	Izvešće za elektrodu—automatsko spremanje prethodnih postavki za elektrodu i uvjeta za mjerenje
<b>Calibration data (Podaci kalibracije)</b>	Podaci kalibracije—automatsko spremanje trenutne kalibracije

### Brisanje podataka

Podatke čitavog mjerenja ili zapis s izvješćem za elektrodu možete izbrisati kako biste uklonili podatke koji su već poslani na pišač ili računalo.

1. Na glavnom zaslonu pomoću tipke ▲ ili ▼ odaberite opciju SYSTEM (Sustav). Potvrdite.

2. Pomoću tipke ▲ ili ▼ odaberite opciju DATA LOGGER (Bilježenje podataka) i potvrdite.
3. Pomoću tipke ▲ ili ▼ odaberite opciju Erase (Izbrisi) i potvrdite.
4. Pomoću tipke ▲ ili ▼ odaberite opciju Measurement data (Podaci mjerenja) ili Electrode report (Izvešće za elektrodu) i potvrdite. Ponovno potvrdite za brisanje podataka. Čitav će se dnevnik izbrisati odjednom.

### Slanje podataka na pišač ili računalo

#### **OBAVIJEST**

Potrebno je prvo odabrati izlaz podataka (pišač ili računalo) kako bi izbornik Print (Ispis) postao dostupan (pogledajte [Odabir izlaza podataka](#) na stranici 371).

**Napomena:** Više o načinu odabira vrste izlaznog izvješća potražite pod [Izlazno izvješće](#) na stranici 373.

1. Na glavnom zaslonu pomoću tipke ▲ ili ▼ odaberite opciju SYSTEM (Sustav). Potvrdite.
2. Pomoću tipke ▲ ili ▼ odaberite opciju DATA LOGGER (Bilježenje podataka) i potvrdite.
3. Pomoću tipke ▲ ili ▼ odaberite Print (Ispis) i potvrdite. Odaberite jednu od sljedećih opcija i potvrdite tipkom ✓ za ispis podataka: Measurement data (Podaci mjerenja), Electrode data (Podaci elektrode), Calibration data (Podaci kalibracije), Calibration report (Izvešće kalibracije) ili Instrument condit (Stanje instrumenta).

### Izlazno izvješće

#### **OBAVIJEST**

Najprije je potrebno odabrati izlaz podataka (pišač ili računalo) kako biste dostupnim učinili izbornik Type of report (Vrsta izvješća) (pogledajte [Odabir izlaza podataka](#) na stranici 371).

Nakon odabira pišača ili računala moći ćete odabrati različite vrste izlaznih izvješća.

1. Na glavnom zaslonu pomoću tipke ▲ ili ▼ odaberite opciju SYSTEM (Sustav). Potvrdite.

2. Pomoću tipke ▲ ili ▼ odaberite opciju Type of report (Vrsta izvješća) i potvrdite.
3. Nakon priključivanja pisača ili računala i terminala, pomoću tipke ▲ ili ▼ odaberite

Opcija	Opis
<b>Reduced (Smanjeno)</b>	Za izlazni format odaberite Several (Nekoliko) ili One sample (Jedan uzorak)
<b>Standard</b>	Za izlazni format odaberite Several (Nekoliko) ili One sample (Jedan uzorak). Odaberete li opciju Several (Nekoliko): <b>Users:</b> (Korisnici:) Na tiskanom izvješću prikazat će se korisničko ime (17 znakova). <b>Header:</b> (Zaglavlje:) U zaglavlje možete dodati naziv tvrtke (40 znakova) koje će se zatim prikazati i na tiskanom izvješću. <b>Identify sensor:</b> (Identifikacija senzora:) Možete dodati model i serijski broj senzora koji će se zatim prikazati i na tiskanom izvješću.
<b>GLP</b>	Za izlazni format odaberite Several (Nekoliko) ili One sample (Jedan uzorak). Odaberete li opciju Several (Nekoliko): <b>Users:</b> (Korisnici:) Na tiskanom izvješću prikazat će se korisničko ime (17 znakova). <b>Header:</b> (Zaglavlje:) U zaglavlje možete dodati naziv tvrtke (40 znakova) koje će se zatim prikazati i na tiskanom izvješću. <b>Identify sensor:</b> (Identifikacija senzora:) Možete dodati model i serijski broj senzora koji će se zatim prikazati i na tiskanom izvješću.

4. Nakon što priključite računalo i odaberete opciju LabCom Easy (za dodatne informacije pogledajte [Odabir izlaza podataka](#) na stranici 371), pomoću tipke ▲ ili ▼ odaberite

Opcija	Opis
<b>Users (Korisnici)</b>	Na tiskanom izvješću prikazat će se korisničko ime (17 znakova).
<b>Identify sensor (Identifikacija senzora)</b>	Možete dodati model i serijski broj senzora koji će se zatim prikazati i na tiskanom izvješću.

## Održavanje

### ▲ UPOZORENJE

Višestruka opasnost. Ne rastavljajte instrument radi održavanja ili servisa. U slučaju potrebe za čišćenjem ili popravkom internih dijelova, obratite se proizvođaču.

### ▲ OPREZ

Opasnost od ozljede. Zadatke opisane u ovom odjeljku uputa treba obavljati samo kvalificirano osoblje.

## Čišćenje instrumenta

### OB AVIJEST

Za čišćenje instrumenta, što uključuje i zaslon te dodatnu opremu, nikad nemojte koristiti sredstva za čišćenje poput terpentina, acetona i sličnih proizvoda.

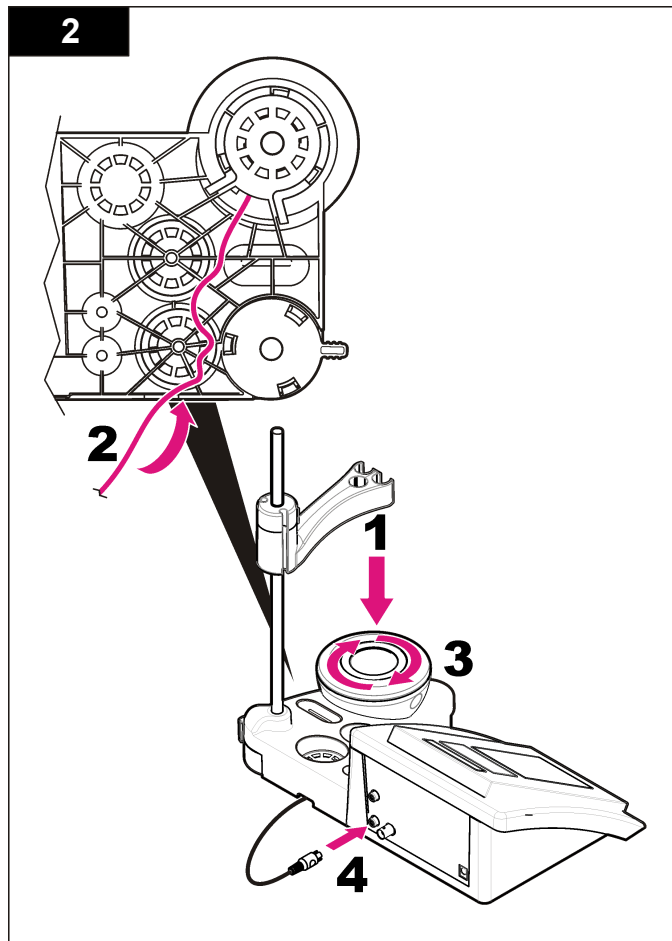
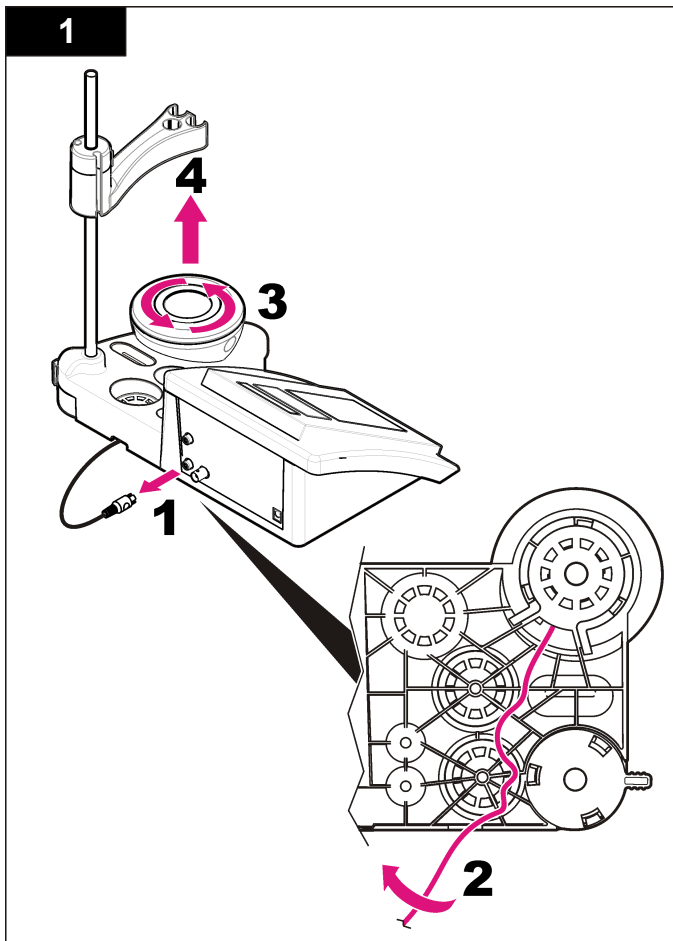
Vanjsku površinu instrumenta očistite pomoću vlažne krpe i blage otopine sapuna.

## Čišćenje sonde

Prema potrebi očistite sondu. Dodatne informacije o čišćenju potražite pod [Rješavanje problema](#) na stranici 376. Informacije o održavanju sonde potražite u dokumentaciji sonde.

## Zamjena magnetske miješalice

Ako se magnetska miješalice ne pokrene, slijedite numerirane korake kako biste je zamijenili.



## Rješavanje problema

Pogledajte sljedeću tablicu za učestale poruke o problemu ili simptome, moguće uzroke i radnje za korekciju.

**Tablica 1 Upozorenja i pogreške za kalibraciju**

Pogreška/upozorenje	Rješenje
Asymmetry > 58 mV (Asimetrija > 58 mV)	Nagib izvan raspona (prihvaćene vrijednosti $\pm$ 58 mV). Ponovite kalibraciju. Priključite novu sondu.
Buffer or electrode in poor conditions. (Puferska otopina ili elektroda u lošem stanju.)	Pregledajte sondu: Očistite sondu (dodatne informacije potražite pod <a href="#">Čišćenje sonde</a> na stranici 374); u membrani ne smije biti mjehurića zraka. Protresite sondu poput termometra; priključite drugu sondu kako biste vidjeli je li problem u sondi ili mjeraču.  Provjerite pufersku otopinu: Provjerite odgovara li korištena puferska otopina onoj navedenoj u konfiguraciji; provjerite temperaturne specifikacije u konfiguraciji; koristite novu pufersku otopinu.
BUFFER NOT RECOGNIZED (PUFERSKA OTOPIINA NIJE PREPOZNATA)	Ponovite kalibraciju. Pregledajte sondu: Očistite sondu (dodatne informacije potražite pod <a href="#">Čišćenje sonde</a> na stranici 374); u membrani ne smije biti mjehurića zraka. Protresite sondu poput termometra; priključite drugu sondu kako biste vidjeli je li problem u sondi ili mjeraču.
Sens. (a) < 70%	Provjerite pufersku otopinu: Provjerite odgovara li korištena puferska otopina onoj navedenoj u konfiguraciji; provjerite temperaturne specifikacije u konfiguraciji; koristite novu pufersku otopinu.

**Tablica 1 Upozorenja i pogreške za kalibraciju (nastavak)**

Pogreška/upozorenje	Rješenje
UNSTABLE READING (NESTABILNA OČITANJA) Time t > 100 s (Vrijeme t > 100 s)	Ponovite kalibraciju. Pregledajte sondu: Očistite sondu (dodatne informacije potražite pod <a href="#">Čišćenje sonde</a> na stranici 374); u membrani ne smije biti mjehurića zraka. Protresite sondu poput termometra; priključite drugu sondu kako biste vidjeli je li problem u sondi ili mjeraču.  Membrana i dijafragma moraju biti ispravno uronjene u vodu.
Check temperature. (Provjerite temperaturu.)  Check electrode (Provjerite elektrodu)	Provjerite specifikacije temperature u konfiguraciji  Pregledajte sondu: Očistite sondu (dodatne informacije potražite pod <a href="#">Čišćenje sonde</a> na stranici 374); u membrani ne smije biti mjehurića zraka. Protresite sondu poput termometra; priključite drugu sondu kako biste vidjeli je li problem u sondi ili mjeraču.
Electrode in poor conditions. (Elektroda u lošem stanju.)  Check the electrode. (Provjerite elektrodu.)	Pregledajte sondu: Očistite sondu (dodatne informacije potražite pod <a href="#">Čišćenje sonde</a> na stranici 374); u membrani ne smije biti mjehurića zraka. Protresite sondu poput termometra; priključite drugu sondu kako biste vidjeli je li problem u sondi ili mjeraču.
SAME BUFFERS (ISTE PUFERSKE OTOPIINE)	Ponovite kalibraciju. Pregledajte sondu: Očistite sondu (dodatne informacije potražite pod <a href="#">Čišćenje sonde</a> na stranici 374); u membrani ne smije biti mjehurića zraka. Protresite sondu poput termometra; priključite drugu sondu kako biste vidjeli je li problem u sondi ili mjeraču.  Provjerite pufersku otopinu: Upotrijebite novu pufersku otopinu.

**Tablica 2 Upozorenja i pogreške kod mjerenja**

Pogreška/upozorenje	Rješenje
pH 12.78 19°C	Ponovite kalibraciju
pH out of range (pH izvan raspona)	Pregledajte sondu: Očistite sondu (dodatne informacije potražite pod <a href="#">Čišćenje sonde</a> na stranici 374); u membrani ne smije biti mjehurića zraka. Protresite sondu poput termometra; priključite drugu sondu kako biste vidjeli je li problem u sondi ili mjerачu.
Temp out of range °C (Temperatura izvan raspona °C)	Provjerite temperaturni senzor. Priključite drugu sondu kako biste utvrdili je li problem u sondi ili mjerачu.
Time > 60 s (Vrijeme > 60 s)	Membrana i dijafragma moraju biti ispravno uronjene u vodu.
Time > 150 s (Vrijeme > 150 s)	Provjerite temperaturu.
Time > 300 s (Vrijeme > 300 s)	Pregledajte sondu: Očistite sondu (dodatne informacije potražite pod <a href="#">Čišćenje sonde</a> na stranici 374); u membrani ne smije biti mjehurića zraka. Protresite sondu poput termometra; priključite drugu sondu kako biste vidjeli je li problem u sondi ili mjerачu.
10.389 mg/L >>>>> 00012 00:13	ISE mjerenje: Izmjerena vrijednost veća je od najviše standardne korištene prilikom kalibracije. Ponovite mjerenje.
0.886 mg/L <<<<<<< 00018 00:11	ISE mjerenje: Izmjerena vrijednost manja je od najniže standardne korištene prilikom kalibracije. Ponovite mjerenje.

## Zamjenski dijelovi i dodaci

**Napomena:** Brojevi proizvoda i artikla mogu varirati za neke regije prodaje. Obratite se odgovarajućem distributeru ili pogledajte web stranicu tvrtke za kontaktne podatke.

## Zamjenski dijelovi

Opis	Broj proizvoda
sensION+ PH3 laboratorijski mjerач pH s dodacima, bez sonde	LPV2000.98.0002
sensION+ PH31 laboratorijski mjerач pH, GLP, s dodacima, bez sonde	LPV2100.98.0002
sensION+ MM340 laboratorijski mjerач pH & iona, GLP, 2 kanala, s dodacima, bez sonde	LPV2200.98.0002
sensION+ EC7 laboratorijski mjerач vodljivosti, s dodacima, bez sonde	LPV3010.98.0002
sensION+ EC71 laboratorijski mjerач vodljivosti, GLP, s dodacima, bez sonde	LPV3110.98.0002
sensION+ MM374, 2-kanalni laboratorijski mjerач, GLP, dodaci, bez sonda	LPV4110.98.0002

## Potrošni materijal

Opis	Broj proizvoda
pH puferška otopina 4,01; 125 mL	LZW9460.99
pH puferška otopina 7,00; 125 mL	LZW9461.98
pH puferška otopina 10,01; 125 mL	LZW9470.99
pH puferška otopina 4,01; 250 mL	LZW9463.99
pH puferška otopina 7,00; 250 mL	LZW9464.98
pH puferška otopina 10,01; 250 mL	LZW9471.99
pH puferška otopina 4,01; 1000 mL	LZW9466.99
pH puferška otopina 7,00; 1000 mL	LZW9467.98
pH puferška otopina 10,01; 1000 mL	LZW9472.99
Otopina elektrolita (KCl 3M), 125 mL	LZW9510.99

## Zamjenski dijelovi i dodaci (nastavak)

Opis	Broj proizvoda
Otopina elektrolita (KCl 3M), 250 mL	LZW9500.99
Otopina elektrolita (KCl 3M), 50 mL	LZW9509.99
Otopina elektrolita 0,1 M, 125 mL	LZW9901.99
Enzimaska otopina	2964349
Otopina za čišćenje s pepsinom	2964349
Otopina za čišćenje elektrode	2965249
0,1 N otopina klorovodika (HCl)	1481253

## Dodaci

Opis	Broj proizvoda
Termalni pisač, RS232, za sustav sensION+	LZW8201.99
Termalni papir za pisač LZW8201, pakiranje s 5 rola	LZW9117.99
Iglični pisač, RS232, za instrumente sensION+	LZW8200.99
Standardni papir za pisač LZW8200, pakiranje s 10 rola	LZW9000.99
Vrpca za pisač LZW8200, 3 jedinica	LZW9001.99
Računalni softver LabCom Easy, za sensION+ GLP, CD, kabel, USB adapter	LZW8997.99
Računalni softver LabCom, za sensION+ GLP, CD, kabel, USB adapter	LZW8999.99
Kabel RS232, za stolne instrumente sensION+	LZW9135.99
Kabel RS232 za sustav sensION+, s USB adapterom	LZW9135USB.99
Magnetska miješalica s držačem senzora, za sustav sensION+ MM	LZW9319.99
3x50 mL gravirane posude za stolnu pH kalibraciju	LZW9110.98

## Zamjenski dijelovi i dodaci (nastavak)

Opis	Broj proizvoda
Držač za tri senzora, za stolne instrumente sensION+	LZW9321.99
Držač i hvataljka za tri senzora	LZW9155.99
Pregrada od jenskog stakla, mjerenja trajnog protoka	LZW9118.99
PP zaštita, pohrana elektrode	LZW9161.99

## Standardne otopine

### Tehničke puferske otopine (DIN 19267)

Pogledajte [Tablica 3](#) za pH i ORP (mV) vrijednosti skupova specifičnih puferskih otopina pri raznim temperaturama.

Tablica 3 pH, ORP (mV) i temperaturne vrijednosti

Temperatura		pH					mV
°C	°F						
0	32	2.01	4.01	7.12	9.52	10.30	—
10	50	2.01	4.00	7.06	9.38	10.17	245
20	68	2.00	4.00	7.02	9.26	10.06	228
<b>25</b>	<b>77</b>	<b>2.00</b>	<b>4.01</b>	<b>7.00</b>	<b>9.21</b>	<b>10.01</b>	<b>220</b>
30	86	2.00	4.01	6.99	9.16	9.96	212
40	104	2.00	4.03	6.97	9.06	9.88	195
50	122	2.00	4.06	6.97	8.99	9.82	178
60	140	2.00	4.10	6.98	8.93	9.76	160
70	158	2.01	4.16	7.00	8.88	—	—
80	176	2.01	4.22	7.04	8.83	—	—
90	194	2.01	4.30	7.09	8.79	—	—

**Puferske otopine (DIN 19266)**

Pogledajte [Tablica 4](#) za pH i ORP (mV) vrijednosti skupova specifičnih puferskih otopina pri raznim temperaturama.

**Tablica 4 pH, ORP (mV) i temperaturene vrijednosti**

Temperatura		pH					mV	
°C	°F							
5	32	1.668	4.004	6.951	7.087	9.395	10.245	13.207
10	50	1.670	4.000	6.923	7.059	9.332	10.179	13.003
20	68	1.675	4.001	6.881	7.016	9.225	10.062	12.627
<b>25</b>	<b>77</b>	<b>1.679</b>	<b>4.006</b>	<b>6.865</b>	<b>7.000</b>	<b>9.180</b>	<b>10.012</b>	<b>12.454</b>
30	86	1.683	4.012	6.853	6.987	9.139	9.966	12.289
40	104	1.694	4.031	6.838	6.970	9.068	9.889	11.984
50	122	1.707	4.057	6.833	6.964	9.011	9.828	11.705
60	140	1.723	4.085	6.836	6.968	8.962	—	11.449
70	158	1.743	4.126	6.845	6.982	8.921	—	—
80	176	1.766	4.164	6.859	7.004	8.885	—	—
90	194	1.792	4.205	6.877	7.034	8.850	—	—

## Προδιαγραφές

Οι προδιαγραφές μπορούν να αλλάξουν, χωρίς προειδοποίηση.

Προδιαγραφή	Λεπτομέρειες
Διαστάσεις	35 x 20 x 11 cm (13,78 x 7,87 x 4,33 in.)
Βάρος	1100 g (2,43 lb)
Περιβλημα μετρητή	IP 42
Απαιτήσεις τροφοδοσίας (εξωτερική)	100–240 V, 0,4 A, 47-63 Hz
Κατηγορία προστασίας μετρητή	Κατηγορία II
Θερμοκρασία αποθήκευσης	-15 έως +65 °C (5 έως 149 ° F)
Θερμοκρασία λειτουργίας	0 έως 40 °C (41 έως 104 °F)
Υγρασία λειτουργίας	< 80% (χωρίς συμπύκνωση)
Ανάλυση	pH: 0,1/0,01/0,001, ORP: 0,1/1 mV, ISE: προγραμματιζόμενο, θερμοκρασία: 0,1 °C (0,18 °F)
Σφάλμα μέτρησης (± 1 ψηφίο)	pH: ≤ 0,002, ORP: ≤ 0,2 mV, θερμοκρασία: ≤ 0,2 °C (≤ 0,36 °F)
Επαναληψιμότητα (± 1 ψηφίο)	pH: ± 0,001, ORP: ± 0,1 mV, θερμοκρασία: ± 0,1 °C (± 0,18 °F)
Αποθήκευση δεδομένων	330 αποτελέσματα και τελευταίες 9 βαθμονομήσεις
Συνδέσεις	Συνδασμένος αισθητήριο (2) ή αισθητήριο ενδείκτη: Σύνδεσμος BNC (Σύνθετη αντίσταση >10 <sup>12</sup> Ω), 2 ηλεκτρόδια αναφοράς: Σύνδεσμος τύπου "μπανάνα", A.T.C. τύπου Pt 1000: Σύνδεσμος τύπου "μπανάνα" ή τηλεφώνου, μαγνητικός αναδευτήρας: Σύνδεσμος RCA, 2 μαγνητικοί αναδευτήρες: Σύνδεσμος RCA
Διόρθωση θερμοκρασίας	Χειροκίνητη, αισθητήριο θερμοκρασίας Pt 1000 (A.T.C.), προγραμματιζόμενη τιμή pH ισοδυναμικού, πρότυπη τιμή 7.00

Προδιαγραφή	Λεπτομέρειες
Κλείδωμα οθόνης μέτρησης	Συνεχής μέτρηση, βάσει σταθερότητας
Οθόνη	Υγρών κρυστάλων, οπίσθιου φωτισμού, 128 x 64 dot
Πληκτρολόγιο	PET με προστατευτική επεξεργασία
Πιστοποίηση	CE

## Γενικές πληροφορίες

Αναθεωρημένες εκδόσεις διατίθενται από τον ιστοχώρο του κατασκευαστή.

## Πληροφορίες σχετικά με την ασφάλεια

### ΕΙΔΟΠΟΙΗΣΗ

Ο κατασκευαστής δεν φέρει ευθύνη για τυχόν ζημιές εξαιτίας της λανθασμένης εφαρμογής ή χρήσης του παρόντος προϊόντος, συμπεριλαμβανομένων, χωρίς περιορισμό, των άμεσων, συμπτωματικών και παρεπόμενων ζημιών, και αποποιείται τέτοιες ζημιές στη μέγιστη έκταση που επιτρέπει το εφαρμοστέο δίκαιο. Ο χρήστης είναι αποκλειστικά υπεύθυνος για την αναγνώριση των σημαντικών κινδύνων εφαρμογής και την εγκατάσταση των κατάλληλων μηχανισμών με στόχο την προστασία των διεργασιών κατά τη διάρκεια μιας πιθανής δυσλειτούργιας του εξοπλισμού.

Παρακαλούμε διαβάστε ολόκληρο αυτό το εγχειρίδιο προτού αποσυσκευάσετε, εγκαταστήσετε ή λειτουργήσετε αυτόν τον εξοπλισμό. Προσέξτε όλες τις υποδείξεις κινδύνου και προσοχής. Η παράλειψη μπορεί να οδηγήσει σε σοβαρούς τραυματισμούς του χειριστή ή σε ζημιές της συσκευής.

Διασφαλίστε ότι δεν θα προκληθεί καμία βλάβη στις διατάξεις προστασίας αυτού του εξοπλισμού. Μην χρησιμοποιείτε και μην εγκαθιστάτε τον συγκεκριμένο εξοπλισμό με κανέναν άλλον τρόπο, εκτός από αυτούς που προσδιορίζονται στο παρόν εγχειρίδιο.



## Χρήση των πληροφοριών προειδοποίησης κινδύνου

### ▲ ΚΙΝΔΥΝΟΣ

Υποδεικνύει κάποια ενδεχόμενη ή επικείμενη επικίνδυνη κατάσταση, η οποία, εάν δεν αποτραπεί, θα οδηγήσει σε θάνατο ή σοβαρό τραυματισμό.

### ▲ ΠΡΟΕΙΔΟΠΟΙΗΣΗ

Υποδεικνύει ενδεχόμενη ή επικείμενη επικίνδυνη κατάσταση, η οποία, αν δεν αποτραπεί, θα μπορούσε να προκαλέσει θάνατο ή σοβαρό τραυματισμό.

### ▲ ΠΡΟΣΟΧΗ



Υποδεικνύει κάποια ενδεχόμενη επικίνδυνη κατάσταση, η οποία μπορεί να καταλήξει σε ελαφρό ή μέτριο τραυματισμό.

### ΕΙΔΟΠΟΙΗΣΗ

Υποδεικνύει κατάσταση που, εάν δεν αποτραπεί, μπορεί να προκληθεί βλάβη στο όργανο. Πληροφορίες που απαιτούν ειδική έμφαση.

## Ετικέτες προειδοποίησης

Διαβάστε όλες τις ετικέτες και τις πινακίδες που είναι επικολλημένες στο όργανο. Η μη τήρησή τους μπορεί να προκαλέσει τραυματισμό ή βλάβη στο όργανο. Ένα σύμβολο, εφόσον υπάρχει στο όργανο, θα συμπεριλαμβάνεται με μια υπόδειξη κινδύνου ή προσοχής στο εγχειρίδιο.

	Το σύμβολο αυτό, εάν υπάρχει επάνω στο όργανο, παραπέμπει σε πληροφορίες σχετικά με την ασφάλεια ή/και το χειρισμό, στο εγχειρίδιο λειτουργίας.
	Ο ηλεκτρικός εξοπλισμός που επισημαίνεται με αυτό το σύμβολο δεν πρέπει να απορρίπτεται σε ευρωπαϊκά δημόσια συστήματα απόρριψης από τις 12 Αυγούστου 2005. Σε συμμόρφωση με τους Ευρωπαϊκούς τοπικούς και εθνικούς κανονισμούς (Οδηγία ΕΕ 2002/98/ΕΚ), οι χρήστες ηλεκτρικού εξοπλισμού στην Ευρώπη πρέπει να αποστέλλουν τον παλαιό εξοπλισμό ή τον εξοπλισμό του οποίου η διάρκεια ζωής έχει λήξει στον παραγωγό για απόρριψη, χωρίς χρήση του χρήστη. <i>Σημείωση:</i> Κατά την επιστροφή για ανακύκλωση, επικοινωνήστε με τον κατασκευαστή ή τον προμηθευτή του εξοπλισμού για οδηγίες σχετικά με τον τρόπο επιστροφής εξοπλισμού, ηλεκτρικών εξαρτημάτων που έχει παράσχει ο κατασκευαστής και όλων των βοηθητικών στοιχείων του, λόγω λήξης της διάρκειας ζωής τους, για κατάλληλη απόρριψη.

## Επισκόπηση προϊόντος

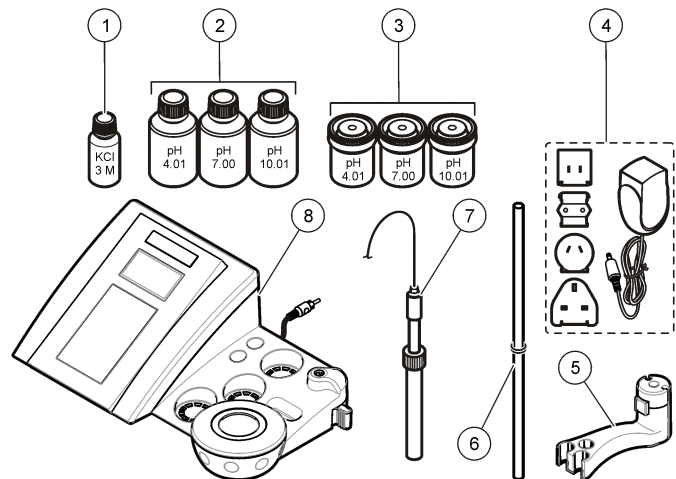
Οι μετρητές sensION™+ χρησιμοποιούνται με αισθητήρες για τη μέτρηση διαφόρων παραμέτρων στο νερό.

Ο μετρητής sensION™+ MM340 διαθέτει δύο κανάλια μέτρησης για τη μέτρηση του pH, του ORP (mV) ή του ISE (συγκέντρωση) με επιλεκτικό αισθητήριο. Τα δεδομένα μέτρησης μπορούν να αποθηκευτούν και να μεταφερθούν σε εκτυπωτή ή Η/Υ.

## Εξαρτήματα προϊόντος

Ανατρέξτε στο [Εικόνα 1](#) για να βεβαιωθείτε ότι όλα τα εξαρτήματα έχουν παραληφθεί. Εάν κάποιο αντικείμενο λείπει ή είναι χαλασμένο, επικοινωνήστε αμέσως με τον κατασκευαστή ή με έναν αντιπρόσωπο πωλήσεων.

**Εικόνα 1 Εξαρτήματα μετρητή**

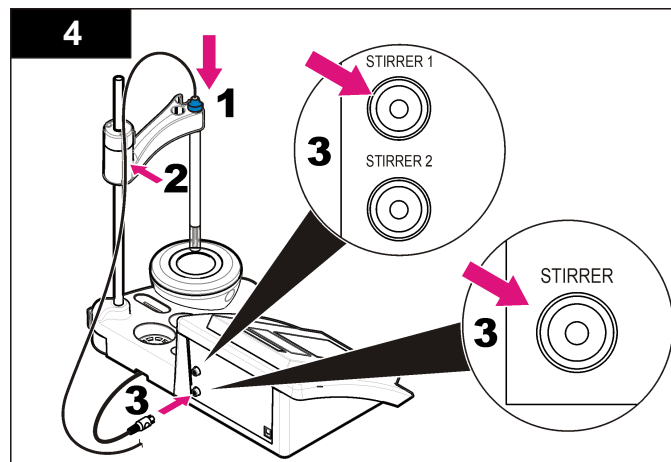
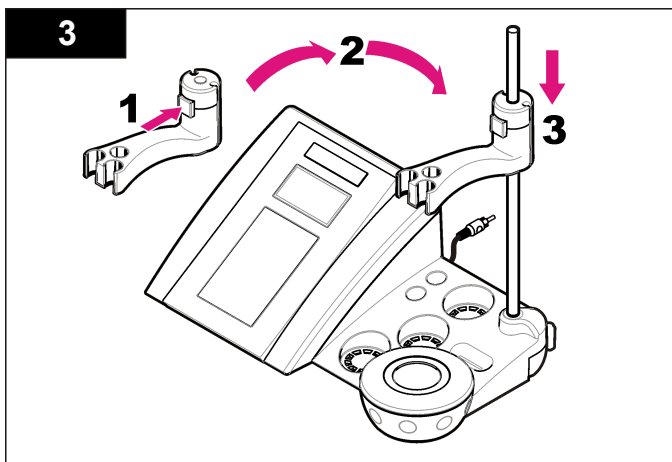
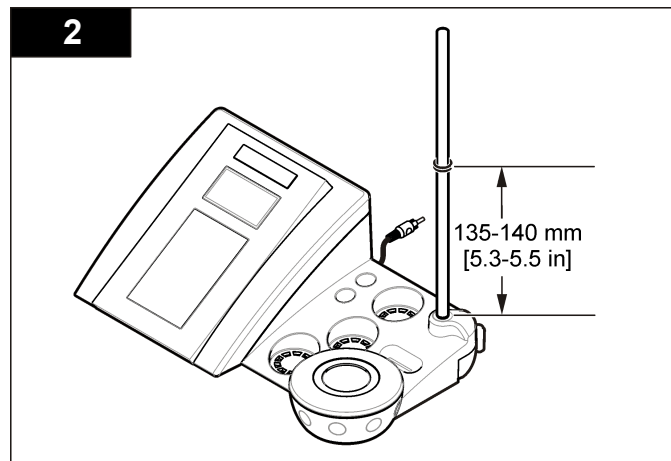
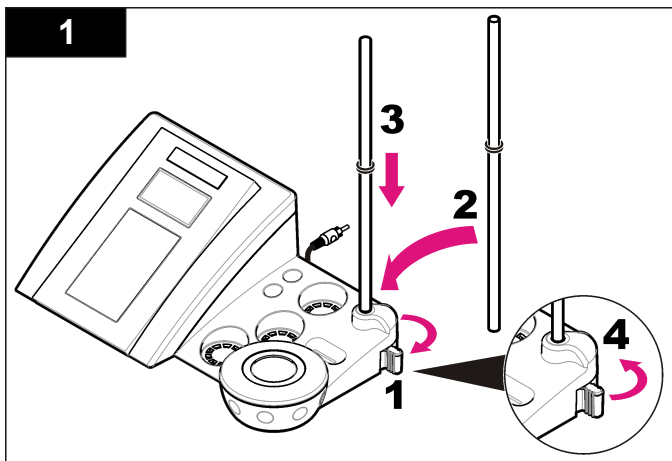


<b>1</b> Ηλεκτρολύτης για το ηλεκτρόδιο	<b>5</b> Βάση ηλεκτροδίου
<b>2</b> Ρυθμιστικά διαλύματα (pH 4,01, pH 7,00 και pH 10,01)	<b>6</b> Ράβδος με δακτύλιο κυκλικής διατομής
<b>3</b> Ποτήρια ζέσεως βαθμονόμησης (με μαγνητική ράβδο στο εσωτερικό)	<b>7</b> Ηλεκτρόδιο (περιλαμβάνεται μόνο στα kit)
<b>4</b> Τροφοδοτικό	<b>8</b> Μετρητής

## Εγκατάσταση

### Συναρμολόγηση της βάσης αισθητηρίου

Ακολουθήστε τα αριθμημένα βήματα για να συναρμολογήσετε τη βάση αισθητηρίου και να συνδέσετε το μαγνητικό αναδευτήρα.



## Σύνδεση σε ρεύμα AC

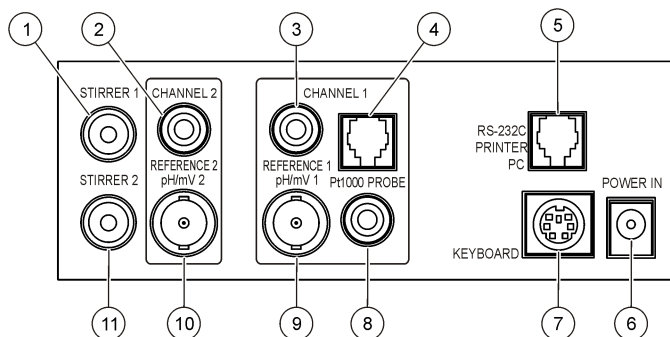
**⚠ ΚΙΝΔΥΝΟΣ**

Κίνδυνος ηλεκτροπληξίας. Εάν αυτός ο εξοπλισμός χρησιμοποιείται σε εξωτερικό χώρο ή δυναμικά υγρή τοποθεσία, πρέπει να χρησιμοποιηθεί μια συσκευή διακοπής κυκλώματος λόγω σφάλματος γείωσης (GFCI/GFI) για τη σύνδεση του εξοπλισμού στην κύρια πηγή τροφοδοσίας του.

Ο μετρητής μπορεί να τροφοδοτηθεί από ρεύμα AC με το γενικό προσαρμογέα ρεύματος.

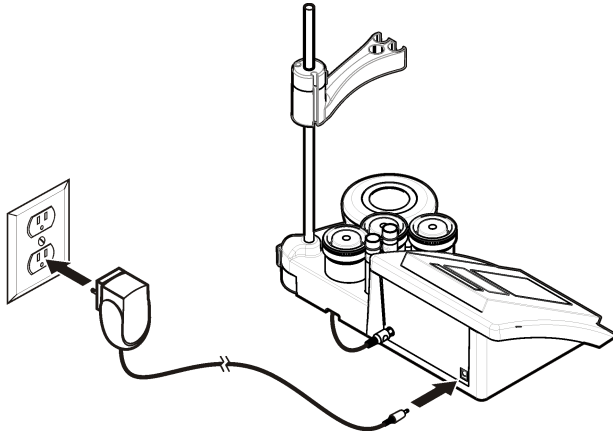
1. Επιλέξτε το σωστό βύσμα προσαρμογέα για την έξοδο τροφοδοσίας από το kit προσαρμογέα.
2. Συνδέστε το γενικό προσαρμογέα ρεύματος στο μετρητή (Εικόνα 2).
3. Συνδέστε το γενικό προσαρμογέα ρεύματος σε μια υποδοχή AC (Εικόνα 3).
4. Ενεργοποιήστε το μετρητή.

**Εικόνα 2 Πίνακας συνδέσεων**



1 Σύνδεσμος μαγνητικού αναδευτήρα 1, Κανάλι 1	7 Σύνδεσμος mini DIN πληκτρολογίου H/Y
2 Σύνδεσμος ηλεκτροδίου αναφοράς (ξεχωριστά ηλεκτρόδια) 1, Κανάλι 1	8 Σύνδεσμος αισθητηρίου θερμοκρασίας, Κανάλι 2
3 Σύνδεσμος ηλεκτροδίου αναφοράς (ξεχωριστά ηλεκτρόδια) 2, Κανάλι 2	9 Σύνδεσμος συνδυασμένου ηλεκτροδίου pH (ή ενδείκτη), Κανάλι 2
4 Σύνδεσμος ξεχωριστού αισθητηρίου θερμοκρασίας, Κανάλι 2	10 Σύνδεσμος συνδυασμένου ηλεκτροδίου pH (ή ενδείκτη), Κανάλι 1
5 Σύνδεσμος RS-232 για εκτυπωτή ή H/Y	11 Σύνδεσμος μαγνητικού αναδευτήρα 2, Κανάλι 2
6 Τροφοδοτικό	

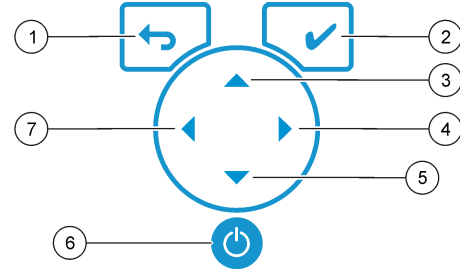
Εικόνα 3 Σύνδεση ρεύματος AC



## Διεπαφή και πλοήγηση χρήστη

### Διεπαφή χειριστή

#### Περιγραφή πληκτρολογίου

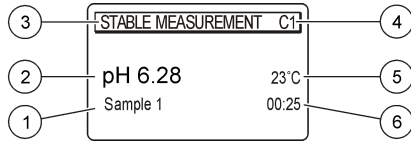


1 Πλήκτρο ΕΠΙΣΤΡΟΦΗΣ: Ακύρωση ή έξοδος από την τρέχουσα οθόνη μενού και επιστροφή στην προηγούμενη οθόνη μενού	5 Πλήκτρο ΚΑΤΩ: Κύλιση σε άλλες επιλογές, αλλαγή τιμής
2 Πλήκτρο ΜΕΤΡΗΣΗΣ: Επιβεβαίωση της επιλογής που έχει οριστεί	6 ON/OFF: Ενεργοποίηση/απενεργοποίηση του μετρητή
3 Πλήκτρο ΕΠΑΝΩ: Κύλιση σε άλλες επιλογές, αλλαγή τιμής	7 Πλήκτρο ΑΡΙΣΤΕΡΑ: Αλλαγή μεταξύ των επιλογών Channel 1 (Κανάλι 1) και Channel 2 (Κανάλι 2), εισαγωγή αριθμών και γραμμάτων
4 Πλήκτρο ΔΕΞΙΑ: Αλλαγή μεταξύ των επιλογών Channel 1 (Κανάλι 1) και Channel 2 (Κανάλι 2), εισαγωγή αριθμών και γραμμάτων	

### Περιγραφή οθόνης

Η οθόνη μετρητή εμφανίζει τη συγκέντρωση, τις μονάδες, τη θερμοκρασία, την κατάσταση βαθμονόμησης, το ID χειριστή, το ID δείγματος, την ημερομηνία και την ώρα.

Εικόνα 4 Εμφάνιση μίας οθόνης



1 ID δείγματος	4 Θερμοκρασία δείγματος (°C ή °F)
2 Μονάδα μέτρησης και τιμή (pH, ORP (mV) ή ISE)	5 Οπτικός χρονοδιακόπτης μέτρησης
3 Κατάσταση μέτρησης ή ημερομηνία και ώρα	

## Πλοήγηση

Χρησιμοποιήστε το πλήκτρο ↶ για επιστροφή στο προηγούμενο μενού. Χρησιμοποιήστε το πλήκτρο μέτρησης ✓ για να πραγματοποιήσετε μια μέτρηση δείγματος ή για να επιβεβαιώσετε επιλογές. Χρησιμοποιήστε τα πλήκτρα με τα βέλη ▲ ▼ για να πραγματοποιήσετε κύλιση σε άλλες επιλογές ή για να αλλάξετε μια τιμή. Για να αλλάξετε τις παραμέτρους, χρησιμοποιήστε τα πλήκτρα με τα βέλη ◀ και ▶. Ανατρέχετε σε κάθε εργασία για συγκεκριμένες οδηγίες.

## Εκκίνηση

### Ενεργοποίηση και απενεργοποίηση του μετρητή

#### ΕΙΔΟΠΟΙΗΣΗ

Βεβαιωθείτε ότι το ηλεκτρόδιο είναι συνδεδεμένο στο μετρητή προτού ενεργοποιήσετε το μετρητή.

Πιέστε το ☺ για να ενεργοποιήσετε ή να απενεργοποιήσετε το μετρητή. Εάν δεν είναι δυνατή η ενεργοποίηση του μετρητή, βεβαιωθείτε ότι το τροφοδοτικό AC είναι σωστά συνδεδεμένο σε ηλεκτρική πρίζα.

## Αλλαγή γλώσσας

Η γλώσσα οθόνης επιλέγεται όταν ο μετρητής ενεργοποιείται για πρώτη φορά.

1. Χρησιμοποιήστε το πλήκτρο ▲ ή ▼ για να επιλέξετε γλώσσα από μια λίστα.
2. Επιβεβαιώστε με ✓. Η οθόνη μέτρησης εμφανίζει το μήνυμα DATA OUTPUT (ΕΞΟΔΟΣ ΔΕΔΟΜΕΝΩΝ).
3. Επιλέξτε Deactivated (Απενεργοποιημένο) εάν δεν υπάρχει συνδεδεμένος εκτυπωτής ή Η/Υ και επιβεβαιώστε. Ανατρέξτε στην ενότητα [Επιλογή της εξόδου δεδομένων](#) στη σελίδα 389 για περισσότερες πληροφορίες σχετικά με την έξοδο δεδομένων.

## Τυπική λειτουργία

### Βαθμολόγηση

#### ▲ ΠΡΟΕΙΔΟΠΟΙΗΣΗ

Κίνδυνος έκθεσης σε χημικά. Τηρείτε τις εργαστηριακές διαδικασίες ασφάλειας και φοράτε όλα τα μέσα ατομικής προστασίας που είναι κατάλληλα για τα χημικά που χειρίζεστε. Ανατρέξτε στα υπάρχοντα φύλλα δεδομένων ασφάλειας υλικού (MSDS) για τα πρωτόκολλα ασφάλειας.

### Ρυθμίσεις βαθμολόγησης

Οι ρυθμίσεις βαθμολόγησης περιέχουν τα εξής: Calibration type (Τύπος βαθμολόγησης), Calibration frequency (Συχνότητα βαθμολόγησης) και Display options (Επιλογές προβολής).

1. Από το κύριο μενού, χρησιμοποιήστε τα πλήκτρα ▲ ή ▼ για να επιλέξετε CALIBRATION (ΒΑΘΜΟΝΟΜΗΣΗ). Επιβεβαιώστε.
2. Χρησιμοποιήστε το πλήκτρο ▲ για να μεταβείτε στο μενού βαθμολόγησης.

3. Χρησιμοποιήστε τα πλήκτρα ▲ ή ▼ για να ορίσετε τις παρακάτω επιλογές:

Επιλογή	Περιγραφή
<b>Stability C. (Κ. σταθερότητας):</b>	Κριτήριο βάσει σταθερότητας—επιλέξτε Fast (Ταχεία), Standard (Τυπική) ή Strict (Ακριβής).
<b>Calibration type (Τύπος βαθμονόμησης)</b>	Τύπος βαθμονόμησης—επιλέξτε Technical buffers (Τεχνικά ρυθμιστικά διαλύματα), DIN19266 Buffers (Ρυθμιστικά διαλύματα DIN19266), User Buffers (Ρυθμιστικά διαλύματα χειριστή), Το a X value (Προς μια τιμή X), data introduction (εισαγωγή δεδομένων) ή Theoretical calibration (Θεωρητική βαθμονόμηση). Ανατρέξτε στην ενότητα <a href="#">Calibration types</a> για περισσότερες πληροφορίες.
<b>Cal. frequency (Συχνότητα βαθμονόμησης)</b>	Υπενθύμιση βαθμονόμησης—μπορεί να οριστεί μεταξύ 0–7 ημερών (προεπιλογή: ημερησίως). Η οθόνη εμφανίζει το χρόνο που απομένει μέχρι τη νέα βαθμονόμηση. Ανατρέξτε στην ενότητα <a href="#">Ρύθμιση της υπενθύμισης βαθμονόμησης</a> στη σελίδα 388 για περισσότερες πληροφορίες.
<b>Display mV (Οθόνη mV)</b>	Οθόνη mV—επιλέξτε YES (ΝΑΙ) ή NO (ΟΧΙ) για προβολή των mV.
<b>Standard 220 mV (Πρότυπο 220 mV)</b>	Πρότυπο 220 mV—βαθμονόμηση με πρότυπο διάλυμα 220 mV
<b>To a X value (Προς μια τιμή X)</b>	Προς μια τιμή X—χρήση ενός συγκεκριμένου πρότυπου διαλύματος. Ρυθμίστε την τιμή κατά τη διάρκεια της βαθμονόμησης.
<b>Data introduction (Εισαγωγή δεδομένων)</b>	Εισαγωγή δεδομένων, Αντιστάθμιση—εισαγωγή της τιμής αντιστάθμισης
<b>Factory adjust (Εργοστασιακή ρύθμιση)</b>	Εργοστασιακή ρύθμιση—εισαγωγή της τιμής αντιστάθμισης

## Τύποι βαθμονόμησης

Μπορούν να επιλεγούν διαφορετικοί τύποι βαθμονόμησης.

1. Από το κύριο μενού, χρησιμοποιήστε τα πλήκτρα ▲ ή ▼ για να επιλέξετε CALIBRATION (ΒΑΘΜΟΝΟΜΗΣΗ). Επιβεβαιώστε.
2. Χρησιμοποιήστε το πλήκτρο ▲ για να μεταβείτε στο μενού βαθμονόμησης.
3. Χρησιμοποιήστε τα πλήκτρα ▲ ή ▼ για να επιλέξετε τύπο βαθμονόμησης.

Επιλογή	Περιγραφή
<b>Technical buffers (Τεχνικά ρυθμιστικά διαλύματα)</b>	pH 2,00, 4,01, 7,00, 9,21 και 10,01 στους 25 °C (77 °F)
<b>DIN19266 Buffers (Ρυθμιστικά διαλύματα DIN19266)</b>	pH 1,679, 4,006, 6,865, 7,000, 9,180, 10,012 και 12,454
<b>User Buffers (Ρυθμιστικά διαλύματα χειριστή)</b>	Επιλέγεται όταν δεν χρησιμοποιούνται τα τεχνικά ρυθμιστικά διαλύματα ή τα ρυθμιστικά διαλύματα DIN19266. Ανατρέξτε στην ενότητα <a href="#">Τεχνικά ρυθμιστικά διαλύματα (DIN 19267)</a> στη σελίδα 398 για τις τιμές pH των συγκεκριμένων ομάδων ρυθμιστικών διαλυμάτων σε ποικίλες θερμοκρασίες.
<b>Calibration to a X value (Βαθμονόμηση σε μια τιμή X)</b>	Για να ρυθμίσετε χειροκίνητα οποιαδήποτε τιμή κλίμακας του pH μέτρησης.
<b>Data introduction (Εισαγωγή δεδομένων)</b>	Χειροκίνητη εισαγωγή σταθεράς ηλεκτροδίου.
<b>Theoretical calibration (Θεωρητική βαθμονόμηση)</b>	Τα δεδομένα βαθμονόμησης του ηλεκτροδίου αντικαθίστανται στους 25 °C (77 °F).

## Διαδικασία βαθμονόμησης

Αυτή η διαδικασία προορίζεται για γενική χρήση με υγρά διαλύματα βαθμονόμησης. Για πρόσθετες πληροφορίες ανατρέξτε στα έγγραφα που συνοδεύουν κάθε αισθητήριο.

**Σημείωση:** Τα διαλύματα πρέπει να αναδεύονται κατά τη διάρκεια της βαθμονόμησης. Για περισσότερες πληροφορίες σχετικά με τις ρυθμίσεις ανάδευσης, ανατρέξτε στην ενότητα [Αλλαγή των ρυθμίσεων ανάδευσης](#) στη σελίδα 391.

1. Προσθέστε τα ρυθμιστικά διαλύματα ή τα διαλύματα βαθμονόμησης στα ποτήρια ζέσεως βαθμονόμησης που φέρουν ετικέτες.
2. Από το κύριο μενού, χρησιμοποιήστε τα πλήκτρα ▲ ή ▼ και ◀ και ▶ για να επιλέξετε την παράμετρο CALIBRATION (ΒΑΘΜΟΝΟΜΗΣΗ). Επιβεβαιώστε.
3. Εάν απαιτείται, επιλέξτε το ID χειριστή (1 έως 10) και επιβεβαιώστε.
4. Ξεπλύνετε το αισθητήριο με απιονισμένο νερό και τοποθετήστε το μέσα στο πρώτο ποτήρι ζέσεως βαθμονόμησης. Βεβαιωθείτε ότι δεν υπάρχουν φυσαλίδες αέρα στη μεμβράνη.
5. Πατήστε το πλήκτρο ✓ για να ξεκινήσει η βαθμονόμηση.
6. Πατήστε το πλήκτρο ✓ για να πραγματοποιήσετε μέτρηση στο πρώτο διάλυμα βαθμονόμησης. Εμφανίζεται το επόμενο διάλυμα βαθμονόμησης.
7. Ξεπλύνετε το αισθητήριο με απιονισμένο νερό και τοποθετήστε το μέσα στο δεύτερο ποτήρι ζέσεως βαθμονόμησης. Βεβαιωθείτε ότι δεν υπάρχουν φυσαλίδες αέρα στη μεμβράνη.
8. Πατήστε το πλήκτρο ✓ για να πραγματοποιήσετε μέτρηση στο δεύτερο διάλυμα βαθμονόμησης. Εμφανίζεται το επόμενο διάλυμα βαθμονόμησης.
9. Ξεπλύνετε το αισθητήριο με απιονισμένο νερό και τοποθετήστε το μέσα στο τρίτο ποτήρι ζέσεως βαθμονόμησης. Βεβαιωθείτε ότι δεν υπάρχουν φυσαλίδες αέρα στη μεμβράνη.
10. Πατήστε το πλήκτρο ✓ για να πραγματοποιήσετε μέτρηση στο τρίτο διάλυμα βαθμονόμησης. Όταν η βαθμονόμηση είναι ικανοποιητική, στην οθόνη εμφανίζεται σύντομα το μήνυμα Calibration OK (Βαθμονόμηση OK) και κατόπιν μεταβαίνει στο κύριο μενού.  
**Σημείωση:** Όταν υπάρχει συνδεδεμένος εκτυπωτής, το μενού εκτύπωσης ανοίγει και μπορείτε να εκτυπώσετε το αποτέλεσμα.

## Προβολή των δεδομένων βαθμονόμησης

Μπορούν να προβληθούν δεδομένα από την πιο πρόσφατη βαθμονόμηση.

1. Από το κύριο μενού, χρησιμοποιήστε τα πλήκτρα ▲ ή ▼ για να επιλέξετε DATA LOGGER (ΚΑΤΑΓΡΑΦΙΚΟ ΔΕΔΟΜΕΝΩΝ). Επιβεβαιώστε.
2. Επιλέξτε Display data (Προβολή δεδομένων).
3. Επιλέξτε Calibration data (Δεδομένα βαθμονόμησης) και επιβεβαιώστε με το πλήκτρο ✓. Εμφανίζονται τα δεδομένα της τελευταίας βαθμονόμησης.

- pH-οι τιμές κλίσης και μετατόπισης εμφανίζονται εναλλάξ με την απόκλιση (σε %) και τη θερμοκρασία βαθμονόμησης.
- ORP-εμφανίζεται η τιμή μέτρησης mV και η θερμοκρασία βαθμονόμησης.
- Αγωγιμότητα—εμφανίζεται η σταθερά κυψελίδας και η θερμοκρασία βαθμονόμησης για κάθε πρότυπο.

## Ρύθμιση της υπενθύμισης βαθμονόμησης

Η υπενθύμιση βαθμονόμησης μπορεί να οριστεί μεταξύ 0 και 23 ωρών ή 1-7 ημερών (προεπιλογή: 1 ημέρα). Η οθόνη εμφανίζει το χρόνο που απομένει μέχρι τη νέα βαθμονόμηση.

**Σημείωση:** Όταν επιλεγούν 0 ημέρες, η υπενθύμιση βαθμονόμησης απενεργοποιείται.

1. Από το κύριο μενού, χρησιμοποιήστε τα πλήκτρα ▲ ή ▼ για να επιλέξετε CALIBRATION (ΒΑΘΜΟΝΟΜΗΣΗ). Επιβεβαιώστε.
2. Χρησιμοποιήστε το πλήκτρο ▲ για να μεταβείτε στο μενού βαθμονόμησης.
3. Χρησιμοποιήστε τα πλήκτρα ▲ ή ▼ για να επιλέξετε Cal. frequency (Συχνότητα βαθμονόμησης) και επιβεβαιώστε.
4. Χρησιμοποιήστε τα πλήκτρα ◀ και ▶ για να προχωρήσετε στο επόμενο βήμα και χρησιμοποιήστε τα πλήκτρα ▲ ή ▼ για να αλλάξετε μια τιμή. Επιβεβαιώστε. Πατήστε το πλήκτρο ✓ για να ξεκινήσει η βαθμονόμηση.

## Μετρήσεις δειγμάτων

Κάθε αισθητήριο έχει συγκεκριμένα βήματα και διαδικασίες προετοιμασίας για την πραγματοποίηση μετρήσεων δειγμάτων.



1. Από το κύριο μενού, χρησιμοποιήστε τα πλήκτρα ▲ ή ▼ και ◀ και ▶ για να επιλέξετε την παράμετρο MEASURE (ΜΕΤΡΗΣΗ). Επιβεβαιώστε.
2. Χρησιμοποιήστε το πλήκτρο ▲ για να αλλάξετε τις παρακάτω ρυθμίσεις. Επιβεβαιώστε κάθε καταχώριση.

Επιλογή	Περιγραφή
<b>Ανάλυση</b>	Επιλέξτε την ανάλυση: 1, 0, 1, 0,01 (προεπιλογή) ή 0,001
<b>Measure (Μέτρηση)</b>	Σταθερότητα—επιλέξτε βάσει κριτηρίου σταθερότητας: Fast (Ταχεία) (παραλλαγή < 0,02 pH σε 6 s), Standard (Τυπική) (παραλλαγή < 0,01 pH σε 6 s) ή Strict (Ακριβής) (παραλλαγή < 0,002 pH σε 6 s). In continuous (Σε συνεχές)—εισαγάγετε το χρονικό διάστημα για το In continuous Acquis. interval (Σε συνεχές διάστημα απόκτησης) (αποθήκευση ή εκτύπωση δεδομένων). By time (Βάσει χρόνου)—εισαγάγετε το χρονικό διάστημα για την αποθήκευση ή την εκτύπωση δεδομένων.
<b>Display mV (Οθόνη mV)</b>	Οθόνη mV—επιλέξτε YES (NAI) ή NO (OXI) για προβολή του mV.
<b>Limits (Όρια)</b>	Όρια—επιλέξτε YES (NAI) ή NO (OXI). YES (NAI): Εισαγάγετε το ανώτερο και το κατώτερο όριο. Ηχεί μια ακουστική προειδοποίηση μόλις η μέτρηση είναι εκτός εύρους. Η έξοδος αναφοράς εμφανίζει το γράμμα A δίπλα στην τιμή μέτρησης όταν η τιμή μέτρησης είναι εκτός εύρους.
<b>Isopotential (Ισοδυναμικό)</b>	Ισοδυναμικό—αλλάξτε την τιμή pH του ισοδυναμικού στην εισαγωγή δεδομένων. Επιλέξτε Calculate (Υπολογισμός) για να βαθμονομήσετε ξανά το αισθητήριο.

3. Πατήστε το πλήκτρο ✓ για να ξεκινήσει η μέτρηση.

**Σημείωση:** Εάν η μέτρηση δεν σταθεροποιηθεί μετά από 120 δευτερόλεπτα, ο μετρητής μεταβαίνει αυτομάτως στην κατάσταση συνεχούς μέτρησης.

## Προηγμένη λειτουργία

### Αλλαγή των μονάδων μέτρησης

Μπορείτε να αλλάξετε τις μονάδες μέτρησης ανεξάρτητα για κάθε κανάλι.

1. Από το κύριο μενού, χρησιμοποιήστε τα πλήκτρα ▲ ή ▼ για να επιλέξετε SYSTEM (ΣΥΣΤΗΜΑ). Επιβεβαιώστε.
2. Χρησιμοποιήστε τα πλήκτρα ▲ ή ▼ για να επιλέξετε Measurement units (Μονάδες μέτρησης) και επιβεβαιώστε.
3. Επιλέξτε Channel 1 (Κανάλι 1) ή Channel 2 (Κανάλι 2) και επιβεβαιώστε.
4. Επιλέξτε ORP (mV), pH ή ISE και επιβεβαιώστε.

### Χρησιμοποιήστε ένα ID δείγματος

Η ετικέτα ID Δείγματος χρησιμοποιείται για να συνδέσει ενδείξεις με μια ιδιαίτερη θέση δείγματος. Αν ανατεθεί, τα αποθηκευμένα δεδομένα θα περιλαμβάνουν αυτό το ID.

1. Από το κύριο μενού, χρησιμοποιήστε τα πλήκτρα ▲ ή ▼ για να επιλέξετε SYSTEM (ΣΥΣΤΗΜΑ). Επιβεβαιώστε.
2. Χρησιμοποιήστε τα πλήκτρα ▲ ή ▼ για να επιλέξετε Sample ID (ID δείγματος) και επιβεβαιώστε.
3. Χρησιμοποιήστε τα πλήκτρα ▲ ή ▼ για να επιλέξετε

Επιλογή	Περιγραφή
<b>Automatic (Αυτόματα)</b>	Ένας διαδοχικός αριθμός θα ανατίθεται αυτόματα σε κάθε δείγμα.
<b>Manual (Χειροκίνητα)</b>	Απαιτείται πληκτρολόγιο ή σαρωτής γραμμωτού κώδικα για την εισαγωγή του ονόματος του ID δείγματος πριν από την πραγματοποίηση μέτρησης (έως 15 χαρακτήρες).

### Επιλογή της εξόδου δεδομένων

Τα δεδομένα μπορούν να αποθηκευτούν ή να μεταφερθούν σε εκτυπωτή ή σε H/Y.

1. Από το κύριο μενού, χρησιμοποιήστε τα πλήκτρα ▲ ή ▼ για να επιλέξετε SYSTEM (ΣΥΣΤΗΜΑ). Επιβεβαιώστε.
2. Χρησιμοποιήστε τα πλήκτρα ▲ ή ▼ για να επιλέξετε Data Output (Εξοδος δεδομένων) και επιβεβαιώστε.
3. Χρησιμοποιήστε τα πλήκτρα ▲ ή ▼ για να επιλέξετε

Επιλογή	Περιγραφή
<b>Deactivated (Απενεργοποιημένο)</b>	Επιλέξτε Deactivated (Απενεργοποιημένο) εάν δεν υπάρχει συνδεδεμένος εκτυπωτής ή Η/Υ.
<b>For Printer (Για εκτυπωτή)</b>	Επιλέξτε Dot matrix printer (Εκτυπωτής μήτρας κουκκίδων) ή Thermal printer (Θερμικός εκτυπωτής).
<b>For Computer (Για υπολογιστή)</b>	Επιλέξτε Terminal (Τερματικό), LabCom ή LabCom Easy. Το λογισμικό LabCom ελέγχει αρκετές μονάδες, μετρητές pH και αγωγιμότητας, αυτόματες προχοϊδες, δειγματολήπτες, κ.λπ. από Η/Υ. Το λογισμικό LabCom Easy λαμβάνει δεδομένα pH και αγωγιμότητας από Η/Υ.

## Αλλαγή ημερομηνίας και ώρας

Μπορείτε να αλλάξετε την ημερομηνία και την ώρα από το μενού Date / Time (Ημερομηνία / Ωρα).

1. Από το κύριο μενού, χρησιμοποιήστε τα πλήκτρα ▲ ή ▼ για να επιλέξετε SYSTEM (ΣΥΣΤΗΜΑ). Επιβεβαιώστε.
2. Χρησιμοποιήστε τα πλήκτρα ▲ ή ▼ για να επιλέξετε Date / Time (Ημερομηνία / Ωρα) και επιβεβαιώστε.
3. Χρησιμοποιήστε τα πλήκτρα ◀ και ▶ για να προχωρήσετε στο επόμενο βήμα και χρησιμοποιήστε τα πλήκτρα ▲ ή ▼ για να αλλάξετε μια τιμή. Επιβεβαιώστε.  
Η τρέχουσα ημερομηνία και ώρα θα εμφανιστούν στην οθόνη.

## Προσαρμογή της αντίθεσης οθόνης

1. Από το κύριο μενού, χρησιμοποιήστε τα πλήκτρα ▲ ή ▼ για να επιλέξετε SYSTEM (ΣΥΣΤΗΜΑ). Επιβεβαιώστε.
2. Χρησιμοποιήστε τα πλήκτρα ▲ ή ▼ για να επιλέξετε Display contrast (Αντίθεση οθόνης) και επιβεβαιώστε.
3. Χρησιμοποιήστε τα πλήκτρα ◀ και ▶ για να προσαρμόσετε την αντίθεση της οθόνης και επιβεβαιώστε.

## Ρύθμιση της θερμοκρασίας

Η μέτρηση της θερμοκρασίας μπορεί να ρυθμιστεί στους 25 °C (77 °F) ή/και 85 °C (185 °F) για την αύξηση της ακρίβειας.

1. Τοποθετήστε το αισθητήριο και ένα θερμομέτρο αναφοράς σε ένα δοχείο νερού περίπου στους 25 °C και αφήστε τη θερμοκρασία να σταθεροποιηθεί.
2. Συγκρίνετε την ένδειξη θερμοκρασίας του μετρητή με τη θερμοκρασία του θερμομέτρου αναφοράς. Η διαφορά είναι η τιμή ρύθμισης για το μετρητή.  
Παράδειγμα: Θερμόμετρο αναφοράς: 24,5 °C, μετρητής: 24,3 °C, Τιμή ρύθμισης: 0,2 °C.
3. Εισαγάγετε την τιμή ρύθμισης για την ένδειξη 25 °C:
  - a. Από το κύριο μενού, χρησιμοποιήστε τα πλήκτρα ▲ ή ▼ για να επιλέξετε SYSTEM (ΣΥΣΤΗΜΑ). Επιβεβαιώστε.
  - b. Χρησιμοποιήστε τα πλήκτρα ▲ ή ▼ για να επιλέξετε Readjust temp (Αναπροσαρμογή θερμοκρασίας). και επιβεβαιώστε.
  - c. Επιλέξτε Channel 1 (Κανάλι 1) ή Channel 2 (Κανάλι 2) και επιβεβαιώστε. Η μέτρηση της θερμοκρασίας για το κανάλι 1 πραγματοποιείται από την αγωγιμομετρική κυψελίδα και η μέτρηση για το κανάλι 2 πραγματοποιείται από το αισθητήριο pH. Εάν δεν υπάρχει συνδεδεμένη αγωγιμομετρική κυψελίδα, η τιμή της θερμοκρασίας πρέπει να εισαχθεί χειροκίνητα ή η θερμοκρασία που μετράται στο κανάλι 2 μπορεί να εφαρμοστεί στο μετρητή.
  - d. Χρησιμοποιήστε τα πλήκτρα ▲ ή ▼ για να επιλέξετε 25 °C και επιβεβαιώστε.

- e. Χρησιμοποιήστε τα πλήκτρα με τα βέλη για να εισαγάγετε την τιμή ρύθμισης για τους 25 °C. Επιβεβαιώστε.
4. Τοποθετήστε το αισθητήριο και ένα θερμόμετρο αναφοράς σε ένα δοχείο νερού περίπου στους 85 °C και αφήστε τη θερμοκρασία να σταθεροποιηθεί.
5. Συγκρίνετε τη θερμοκρασία από το μετρητή με τη θερμοκρασία του θερμόμετρου αναφοράς. Η διαφορά είναι η τιμή ρύθμισης για το μετρητή.
  - a. Χρησιμοποιήστε τα πλήκτρα ▲ ή ▼ για να επιλέξετε 85 °C και επιβεβαιώστε.
  - b. Χρησιμοποιήστε τα πλήκτρα με τα βέλη για να εισαγάγετε την τιμή ρύθμισης για τους 85 °C. Επιβεβαιώστε.
  - c. Επιλέξτε Save changes (Αποθήκευση αλλαγών) και επιβεβαιώστε.

## Αλλαγή των ρυθμίσεων ανάδευσης

Μπορείτε να ενεργοποιήσετε το μαγνητικό αναδευτήρα και να αλλάξετε την ταχύτητα ανάδευσης στο μενού Stirring (Ανάδευση).

1. Από το κύριο μενού, χρησιμοποιήστε τα πλήκτρα ▲ ή ▼ για να επιλέξετε SYSTEM (ΣΥΣΤΗΜΑ). Επιβεβαιώστε.
2. Χρησιμοποιήστε τα πλήκτρα ▲ ή ▼ για να επιλέξετε Stirring (Ανάδευση) και επιβεβαιώστε.
3. Για να ενεργοποιήσετε/απενεργοποιήσετε τον αναδευτήρα, πατήστε το πλήκτρο ✓.
4. Όταν ο αναδευτήρας είναι ενεργοποιημένος, χρησιμοποιήστε τα πλήκτρα ▲ ή ▼ για να αλλάξετε την ταχύτητα ανάδευσης σε %.

**Σημείωση:** Χρησιμοποιήστε τα πλήκτρα ▲ ή ▼ για να αλλάξετε την ταχύτητα ανάδευσης κατά τη διάρκεια της βαθμονόμησης και της μέτρησης.

## Ενεργοποιήστε/απενεργοποιήστε τον αναδευτήρα

Ο αναδευτήρας 1 λειτουργεί με τα Κανάλια 1 και 2 (Αναδευτήρας 1). Μπορεί να συνδεθεί ένας δεύτερος αναδευτήρας στο κανάλι

2 (Αναδευτήρας 2). Για την ενεργοποίηση του αναδευτήρα 2, ανατρέξτε στα παρακάτω βήματα.

1. Από το κύριο μενού, χρησιμοποιήστε τα πλήκτρα ▲ ή ▼ για να επιλέξετε SYSTEM (ΣΥΣΤΗΜΑ). Επιβεβαιώστε με ✓.
2. Χρησιμοποιήστε τα πλήκτρα ▲ ή ▼ για να επιλέξετε Stirrer N. 2 (Αναδευτήρας αρ. 2) και επιβεβαιώστε με το πλήκτρο ✓.
3. Χρησιμοποιήστε τα πλήκτρα ▲ ή ▼ για να επιλέξετε YES (ΝΑΙ) για να ενεργοποιήσετε τον αναδευτήρα 2.  
**Σημείωση:** Επιλέξτε NO (ΟΧΙ) για να απενεργοποιήσετε τον αναδευτήρα 2.

## Αλλαγή των μονάδων θερμοκρασίας

Μπορείτε να αλλάξετε τις μονάδες θερμοκρασίας σε Celsius (Κελσίου) ή Fahrenheit (Φαρενάιτ).

1. Από το κύριο μενού, χρησιμοποιήστε τα πλήκτρα ▲ ή ▼ για να επιλέξετε SYSTEM (ΣΥΣΤΗΜΑ). Επιβεβαιώστε.
2. Χρησιμοποιήστε τα πλήκτρα ▲ ή ▼ για να επιλέξετε Temperature units (Μονάδες θερμοκρασίας) και επιβεβαιώστε.
3. Χρησιμοποιήστε τα πλήκτρα ▲ ή ▼ για να επιλέξετε Celsius (Κελσίου) ή Fahrenheit (Φαρενάιτ) και επιβεβαιώστε.

## Καταγραφικό δεδομένων

### Προβολή δεδομένων

Το μητρώο καταγραφής Display data (Προβολή δεδομένων) περιέχει τα εξής: Measurement data (Δεδομένα μέτρησης), Electrode report (Αναφορά ηλεκτροδίων) και Calibration data (Δεδομένα βαθμονόμησης). Τα αποθηκευμένα δεδομένα μπορούν να αποσταλούν σε εκτυπωτή ή Η/Υ. Όταν το μητρώο καταγραφής δεδομένων γεμίσει (400 σημεία δεδομένων), το προηγούμενο σημείο δεδομένων διαγράφεται κατά την προσθήκη ενός νέου σημείου δεδομένων.

1. Χρησιμοποιήστε τα πλήκτρα ◀ και ▶ για να επιλέξετε Channel 1 (Κανάλι 1) ή Channel 2 (Κανάλι 2) και επιβεβαιώστε.
2. Από το κύριο μενού, χρησιμοποιήστε τα πλήκτρα ▲ ή ▼ για να επιλέξετε SYSTEM (ΣΥΣΤΗΜΑ). Επιβεβαιώστε.

- Χρησιμοποιήστε τα πλήκτρα ▲ ή ▼ για να επιλέξετε DATA LOGGER (ΚΑΤΑΓΡΑΦΙΚΟ ΔΕΔΟΜΕΝΩΝ) και επιβεβαιώστε.
- Χρησιμοποιήστε τα πλήκτρα ▲ ή ▼ για να επιλέξετε Display data (Προβολή δεδομένων) και επιβεβαιώστε.
- Χρησιμοποιήστε τα πλήκτρα ▲ ή ▼ για να επιλέξετε

Επιλογή	Περιγραφή
<b>Measurement data</b> (Δεδομένα μέτρησης)	Δεδομένα μέτρησης—αποθηκεύονται αυτομάτως σε κάθε μέτρηση δείγματος
<b>Electrode report (Αναφορά ηλεκτροδίων)</b>	Αναφορά ηλεκτροδίων—αποθηκεύει αυτομάτως το ιστορικό ηλεκτροδίων και τις συνθήκες μέτρησης
<b>Calibration data (Δεδομένα βαθμονόμησης)</b>	Δεδομένα βαθμονόμησης—αποθηκεύει αυτομάτως την τρέχουσα βαθμονόμηση

## Διαγραφή δεδομένων

Το μητρώο καταγραφής του συνόλου των δεδομένων μέτρησης ή της αναφοράς ηλεκτροδίων μπορεί να διαγραφεί ώστε να καταρτηθούν δεδομένα που έχουν ήδη αποσταλεί σε εκτυπωτή ή Η/Υ.

- Από το κύριο μενού, χρησιμοποιήστε τα πλήκτρα ▲ ή ▼ για να επιλέξετε SYSTEM (ΣΥΣΤΗΜΑ). Επιβεβαιώστε.
- Χρησιμοποιήστε τα πλήκτρα ▲ ή ▼ για να επιλέξετε DATA LOGGER (ΚΑΤΑΓΡΑΦΙΚΟ ΔΕΔΟΜΕΝΩΝ) και επιβεβαιώστε.
- Χρησιμοποιήστε τα πλήκτρα ▲ ή ▼ για να επιλέξετε Erase (Διαγραφή) και επιβεβαιώστε.
- Χρησιμοποιήστε τα πλήκτρα ▲ ή ▼ για να επιλέξετε Measurement data (Δεδομένα μέτρησης) ή Electrode report (Αναφορά ηλεκτροδίων) και επιβεβαιώστε. Επιβεβαιώστε ξανά για να διαγράψετε τα δεδομένα.  
Το σύνολο του μητρώου διαγράφεται απευθείας.

## Αποστολή δεδομένων σε εκτυπωτή ή Η/Υ

### ΕΙΔΟΠΟΙΗΣΗ

Πρέπει να επιλεγεί πρώτα η έξοδος δεδομένων (εκτυπωτής ή Η/Υ), ώστε να είναι διαθέσιμο το μενού Print (Εκτύπωση) (ανατρέξτε στην ενότητα [Επιλογή της εξόδου δεδομένων](#) στη σελίδα 389).

**Σημείωση:** Ανατρέξτε στην ενότητα [Report output \(Έξοδος αναφοράς\)](#) στη σελίδα 392 για να επιλέξετε τον τύπο εξόδου αναφοράς.

- Από το κύριο μενού, χρησιμοποιήστε τα πλήκτρα ▲ ή ▼ για να επιλέξετε SYSTEM (ΣΥΣΤΗΜΑ). Επιβεβαιώστε.
- Χρησιμοποιήστε τα πλήκτρα ▲ ή ▼ για να επιλέξετε DATA LOGGER (ΚΑΤΑΓΡΑΦΙΚΟ ΔΕΔΟΜΕΝΩΝ) και επιβεβαιώστε.
- Χρησιμοποιήστε τα πλήκτρα ▲ ή ▼ για να επιλέξετε Print (Εκτύπωση) και επιβεβαιώστε. Ορίστε μία από τις παρακάτω επιλογές και επιβεβαιώστε με το πλήκτρο ✓ για να εκτυπώσετε τα δεδομένα: Measurement data (Δεδομένα μέτρησης), Electrode data (Δεδομένα ηλεκτροδίων), Calibration data (Δεδομένα βαθμονόμησης), Calibration report (Αναφορά βαθμονόμησης) ή Instrument condit. (Κατάσταση οργάνου).

## Report output (Έξοδος αναφοράς)

### ΕΙΔΟΠΟΙΗΣΗ

Πρέπει να επιλεγεί πρώτα η έξοδος δεδομένων (εκτυπωτής ή Η/Υ), ώστε να είναι διαθέσιμο το μενού Type of report (Τύπος αναφοράς) (ανατρέξτε στην ενότητα [Επιλογή της εξόδου δεδομένων](#) στη σελίδα 389).

Μπορούν να επιλεγούν διαφορετικοί τύποι εξόδου αναφοράς όταν υπάρχει συνδεδεμένος εκτυπωτής ή Η/Υ.

- Από το κύριο μενού, χρησιμοποιήστε τα πλήκτρα ▲ ή ▼ για να επιλέξετε SYSTEM (ΣΥΣΤΗΜΑ). Επιβεβαιώστε.
- Χρησιμοποιήστε τα πλήκτρα ▲ ή ▼ για να επιλέξετε Type of report (Τύπος αναφοράς) και επιβεβαιώστε.

3. Όταν υπάρχει συνδεδεμένος εκτυπωτής ή Η/Υ και τερματικό, χρησιμοποιήστε τα πλήκτρα ▲ ή ▼ για να επιλέξετε

Επιλογή	Περιγραφή
<b>Reduced (Μειωμένο)</b>	Επιλέξτε Several (Αρκετά) ή One sample (Ένα δείγμα) ως μορφή εξόδου.
<b>Standard (Πρότυπο)</b>	Επιλέξτε Several (Αρκετά) ή One sample (Ένα δείγμα) ως μορφή εξόδου. Επιλέξτε αρκετά: <b>Users (Χρήστες)</b> : Το όνομα χειριστή εμφανίζεται στην εκτυπωμένη αναφορά (17 χαρακτήρες). <b>Header (Επικεφαλίδα)</b> : Η επωνυμία της εταιρίας μπορεί να προστεθεί ως επικεφαλίδα (40 χαρακτήρες) και εμφανίζεται στην αναφορά εκτύπωσης. <b>Identify sensor (Αναγνώριση αισθητηρίου)</b> : Το μοντέλο και ο αριθμός σειράς του αισθητηρίου μπορεί να προστεθεί και εμφανίζεται στην αναφορά εκτύπωσης.
<b>GLP</b>	Επιλέξτε Several (Αρκετά) ή One sample (Ένα δείγμα) ως μορφή εξόδου. Επιλέξτε αρκετά: <b>Users (Χρήστες)</b> : Το όνομα χειριστή εμφανίζεται στην εκτυπωμένη αναφορά (17 χαρακτήρες). <b>Header (Επικεφαλίδα)</b> : Η επωνυμία της εταιρίας μπορεί να προστεθεί ως επικεφαλίδα (40 χαρακτήρες) και εμφανίζεται στην αναφορά εκτύπωσης. <b>Identify sensor (Αναγνώριση αισθητηρίου)</b> : Το μοντέλο και ο αριθμός σειράς του αισθητηρίου μπορεί να προστεθεί και εμφανίζεται στην αναφορά εκτύπωσης.

4. Όταν υπάρχει συνδεδεμένος Η/Υ και έχει επιλεγεί LabCom Easy (ανατρέξτε στην ενότητα [Επιλογή της εξόδου δεδομένων](#) στη σελίδα 389 για περισσότερες πληροφορίες), χρησιμοποιήστε τα πλήκτρα ▲ ή ▼ για να επιλέξετε

Επιλογή	Περιγραφή
<b>Users (Χρήστες)</b>	Το όνομα χειριστή εμφανίζεται στην εκτυπωμένη αναφορά (17 χαρακτήρες).
<b>Identify sensor (Αναγνώριση αισθητηρίου)</b>	Το μοντέλο και ο αριθμός σειράς του αισθητηρίου μπορεί να προστεθεί και εμφανίζεται στην αναφορά εκτύπωσης.

## Συντήρηση

### ▲ ΠΡΟΕΙΔΟΠΟΙΗΣΗ

Πολλαπλοί κίνδυνοι. Μην αποσυναρμολογείτε το όργανο για συντήρηση ή επισκευή. Εάν πρέπει να καθαριστούν ή να επισκευαστούν τα εσωτερικά εξαρτήματα, επικοινωνήστε με τον κατασκευαστή.

### ▲ ΠΡΟΣΟΧΗ

Κίνδυνος τραυματισμού. Μόνο ειδικευμένο προσωπικό πρέπει να εκτελεί τις εργασίες ελέγχου που περιγράφονται σε αυτό το κεφάλαιο του εγχειριδίου.

## Καθαρισμός του οργάνου

### ΕΙΔΟΠΟΙΗΣΗ

Ποτέ μην χρησιμοποιείτε καθαριστικά, όπως νέφτι, ακετόνη ή παρόμοια προϊόντα, για τον καθαρισμό του οργάνου, συμπεριλαμβανομένης της οθόνης και των εξαρτημάτων.

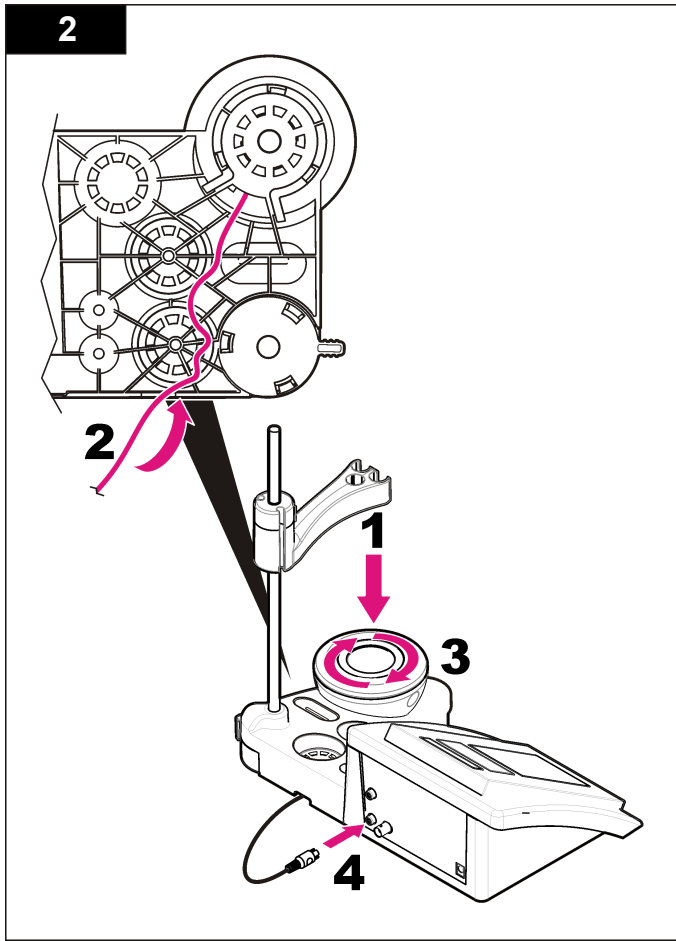
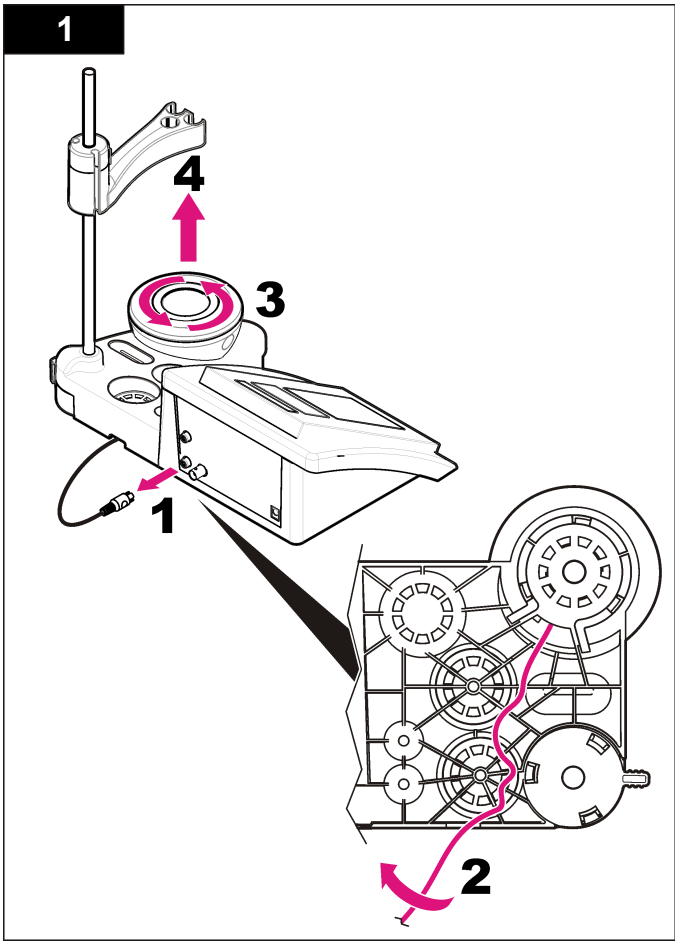
Καθαρίζετε το εξωτερικό μέρος του οργάνου με ένα υγρό πανί και ήπιο διάλυμα σαπουνιού.

## Καθαρισμός του αισθητηρίου

Καθαρίστε το αισθητήριο όπως απαιτείται. Ανατρέξτε στην ενότητα [Αντιμετώπιση προβλημάτων](#) στη σελίδα 395 για περισσότερες πληροφορίες σχετικά με τον καθαρισμό. Ανατρέξτε στο υλικό τεκμηρίωσης του αισθητηρίου για πληροφορίες σχετικά με τη συντήρηση του αισθητηρίου.

## Αντικατάσταση του μαγνητικού αναδευτήρα

Εάν ο μαγνητικός αναδευτήρας δεν εκκινήσει, ακολουθήστε τα αριθμημένα βήματα για να τον αντικαταστήσετε.



## Αντιμετώπιση προβλημάτων

Ανατρέξτε στον ακόλουθο πίνακα για μηνύματα συνηθισμένων προβλημάτων ή συμπτωμάτων, πιθανών αιτιών και διορθωτικών ενεργειών.

**Πίνακας 1 Προειδοποιήσεις και σφάλματα βαθμονόμησης**

Σφάλμα/Προειδοποίηση	Λύση
Asymmetry > 58 mV (Ασυμμετρία > 58 mV)	Κλίση εκτός εύρους (αποδεκτές τιμές $\pm 58$ mV). Βαθμονομήστε εκ νέου. Συνδέστε ένα καινούριο αισθητήριο.
Buffer or electrode in poor conditions. (Ρυθμιστικό διάλυμα ή ηλεκτρόδιο σε μη ικανοποιητικές συνθήκες.)	Εξετάστε το αισθητήριο: Καθαρίστε το αισθητήριο (ανατρέξτε στην ενότητα <b>Καθαρισμός του αισθητηρίου</b> στη σελίδα 393 για περισσότερες πληροφορίες). Βεβαιωθείτε ότι δεν υπάρχουν φυσαλίδες αέρα στη μεμβράνη. Ανακινήστε το αισθητήριο όπως ένα θερμόμετρο. Συνδέστε ένα διαφορετικό αισθητήριο για να επαληθεύσετε εάν το πρόβλημα οφείλεται στο αισθητήριο ή το μετρητή. Εξετάστε το ρυθμιστικό διάλυμα: Βεβαιωθείτε ότι το ρυθμιστικό διάλυμα που χρησιμοποιείται αντιστοιχεί στο ρυθμιστικό διάλυμα που έχει καθοριστεί στη διαμόρφωση. Επαληθεύστε την προδιαγραφη θερμοκρασίας στη διαμόρφωση. Χρησιμοποιήστε καινούριο ρυθμιστικό διάλυμα.

**Πίνακας 1 Προειδοποιήσεις και σφάλματα βαθμονόμησης (συνέχεια)**

Σφάλμα/Προειδοποίηση	Λύση
BUFFER NOT RECOGNIZED (ΤΟ ΡΥΘΜΙΣΤΙΚΟ ΔΙΑΛΥΜΑ ΔΕΝ ΑΝΑΓΝΩΡΙΖΕΤΑΙ)	Βαθμονομήστε εκ νέου. Εξετάστε το αισθητήριο: Καθαρίστε το αισθητήριο (ανατρέξτε στην ενότητα <b>Καθαρισμός του αισθητηρίου</b> στη σελίδα 393 για περισσότερες πληροφορίες). Βεβαιωθείτε ότι δεν υπάρχουν φυσαλίδες αέρα στη μεμβράνη. Ανακινήστε το αισθητήριο όπως ένα θερμόμετρο. Συνδέστε ένα διαφορετικό αισθητήριο για να επαληθεύσετε εάν το πρόβλημα οφείλεται στο αισθητήριο ή το μετρητή. Εξετάστε το ρυθμιστικό διάλυμα: Βεβαιωθείτε ότι το ρυθμιστικό διάλυμα που χρησιμοποιείται αντιστοιχεί στο ρυθμιστικό διάλυμα που έχει καθοριστεί στη διαμόρφωση. Επαληθεύστε την προδιαγραφη θερμοκρασίας στη διαμόρφωση. Χρησιμοποιήστε καινούριο ρυθμιστικό διάλυμα.
Sens. (a) < 70% (Αισθητήριο (a) < 70%)	
UNSTABLE READING (ΑΣΤΑΘΗΣ ΕΝΔΕΙΞΗ) Time $t > 100$ s (Ωρα $t > 100$ s)	Βαθμονομήστε εκ νέου. Εξετάστε το αισθητήριο: Καθαρίστε το αισθητήριο (ανατρέξτε στην ενότητα <b>Καθαρισμός του αισθητηρίου</b> στη σελίδα 393 για περισσότερες πληροφορίες). Βεβαιωθείτε ότι δεν υπάρχουν φυσαλίδες αέρα στη μεμβράνη. Ανακινήστε το αισθητήριο όπως ένα θερμόμετρο. Συνδέστε ένα διαφορετικό αισθητήριο για να επαληθεύσετε εάν το πρόβλημα οφείλεται στο αισθητήριο ή το μετρητή. Βεβαιωθείτε ότι η μεμβράνη και το διάφραγμα είναι σωστά εμβυθισμένα στο δείγμα.

**Πίνακας 1 Προειδοποιήσεις και σφάλματα βαθμονόμησης (συνέχεια)**

Σφάλμα/Προειδοποίηση	Λύση
Check temperature. (Ελέγξτε τη θερμοκρασία.) Check electrode (Ελέγξτε το ηλεκτρόδιο)	Επαληθεύστε την προδιαγραφή θερμοκρασίας στη διαμόρφωση. Εξετάστε το αισθητήριο: Καθαρίστε το αισθητήριο (ανατρέξτε στην ενότητα <b>Καθαρισμός του αισθητηρίου</b> στη σελίδα 393 για περισσότερες πληροφορίες). Βεβαιωθείτε ότι δεν υπάρχουν φυσαλίδες αέρα στη μεμβράνη. Ανακινήστε το αισθητήριο όπως ένα θερμόμετρο. Συνδέστε ένα διαφορετικό αισθητήριο για να επαληθεύσετε εάν το πρόβλημα οφείλεται στο αισθητήριο ή το μετρητή.
Electrode in poor conditions. (Ηλεκτρόδιο σε μη ικανοποιητικές συνθήκες.)	Εξετάστε το αισθητήριο: Καθαρίστε το αισθητήριο (ανατρέξτε στην ενότητα <b>Καθαρισμός του αισθητηρίου</b> στη σελίδα 393 για περισσότερες πληροφορίες). Βεβαιωθείτε ότι δεν υπάρχουν φυσαλίδες αέρα στη μεμβράνη. Ανακινήστε το αισθητήριο όπως ένα θερμόμετρο. Συνδέστε ένα διαφορετικό αισθητήριο για να επαληθεύσετε εάν το πρόβλημα οφείλεται στο αισθητήριο ή το μετρητή.
Check the electrode. (Ελέγξτε το ηλεκτρόδιο.)	Εξετάστε το αισθητήριο: Καθαρίστε το αισθητήριο (ανατρέξτε στην ενότητα <b>Καθαρισμός του αισθητηρίου</b> στη σελίδα 393 για περισσότερες πληροφορίες). Βεβαιωθείτε ότι δεν υπάρχουν φυσαλίδες αέρα στη μεμβράνη. Ανακινήστε το αισθητήριο όπως ένα θερμόμετρο. Συνδέστε ένα διαφορετικό αισθητήριο για να επαληθεύσετε εάν το πρόβλημα οφείλεται στο αισθητήριο ή το μετρητή.
SAME BUFFERS (ΙΔΙΑ ΡΥΘΜΙΣΤΙΚΑ ΔΙΑΛΥΜΑΤΑ)	Βαθμονομήστε εκ νέου. Εξετάστε το αισθητήριο: Καθαρίστε το αισθητήριο (ανατρέξτε στην ενότητα <b>Καθαρισμός του αισθητηρίου</b> στη σελίδα 393 για περισσότερες πληροφορίες). Βεβαιωθείτε ότι δεν υπάρχουν φυσαλίδες αέρα στη μεμβράνη. Ανακινήστε το αισθητήριο όπως ένα θερμόμετρο. Συνδέστε ένα διαφορετικό αισθητήριο για να επαληθεύσετε εάν το πρόβλημα οφείλεται στο αισθητήριο ή το μετρητή. Εξετάστε το ρυθμιστικό διάλυμα: Χρησιμοποιήστε καινούριο ρυθμιστικό διάλυμα.

**Πίνακας 2 Προειδοποιήσεις και σφάλματα μέτρησης**

Σφάλμα/Προειδοποίηση	Λύση
pH 12,78 19°C	Βαθμονομήστε εκ νέου
pH out of range (pH εκτός εύρους)	Εξετάστε το αισθητήριο: Καθαρίστε το αισθητήριο (ανατρέξτε στην ενότητα <b>Καθαρισμός του αισθητηρίου</b> στη σελίδα 393 για περισσότερες πληροφορίες). Βεβαιωθείτε ότι δεν υπάρχουν φυσαλίδες αέρα στη μεμβράνη. Ανακινήστε το αισθητήριο όπως ένα θερμόμετρο. Συνδέστε ένα διαφορετικό αισθητήριο για να επαληθεύσετε εάν το πρόβλημα οφείλεται στο αισθητήριο ή το μετρητή.
Temp out of range °C (Θερμοκρασία εκτός εύρους °C)	Εξετάστε το αισθητήριο θερμοκρασίας. Συνδέστε ένα διαφορετικό αισθητήριο για να επαληθεύσετε εάν το πρόβλημα οφείλεται στο αισθητήριο ή το μετρητή.
Time > 60 s (Ωρα > 60 s)	Βεβαιωθείτε ότι η μεμβράνη και το διάφραγμα είναι σωστά εμβυθισμένα στο δείγμα.
Time > 150 s (Ωρα > 150 s)	Εξετάστε τη θερμοκρασία.
Time > 300 s (Ωρα > 300 s)	Εξετάστε το αισθητήριο: Καθαρίστε το αισθητήριο (ανατρέξτε στην ενότητα <b>Καθαρισμός του αισθητηρίου</b> στη σελίδα 393 για περισσότερες πληροφορίες). Βεβαιωθείτε ότι δεν υπάρχουν φυσαλίδες αέρα στη μεμβράνη. Ανακινήστε το αισθητήριο όπως ένα θερμόμετρο. Συνδέστε ένα διαφορετικό αισθητήριο για να επαληθεύσετε εάν το πρόβλημα οφείλεται στο αισθητήριο ή το μετρητή.
10,389 mg/L >>>> 00012 00:13	Μέτρηση ISE: Η τιμή μέτρησης είναι ανώτερη από το υψηλότερο πρότυπο που χρησιμοποιείται στη βαθμονόμηση. Πραγματοποιήστε εκ νέου μέτρηση.
0,886 mg/L <<<<<< 00018 00:11	Μέτρηση ISE: Η τιμή μέτρησης είναι κατώτερη από το χαμηλότερο πρότυπο που χρησιμοποιείται στη βαθμονόμηση. Πραγματοποιήστε εκ νέου μέτρηση.



## Ανταλλακτικά και εξαρτήματα

**Σημείωση:** Οι κωδικοί προϊόντος και οι αριθμοί καταλόγου μπορεί να διαφέρουν σε ορισμένες περιοχές πώλησης. Επικοινωνήστε με τον κατάλληλο διανομέα ή ανατρέξτε στη δικτυακή τοποθεσία της εταιρείας για τα στοιχεία επικοινωνίας.

### Ανταλλακτικά

Περιγραφή	Αρ. προϊόντος
Εργαστηριακός μετρητής sensION+ PH3 για τη μέτρηση του pH με εξαρτήματα, χωρίς ηλεκτρόδιο	LPV2000.98.0002
Εργαστηριακός μετρητής sensION+ PH31 για τη μέτρηση του pH, GLP, με εξαρτήματα, χωρίς ηλεκτρόδιο	LPV2100.98.0002
Ιοντόμετρο sensION+ MM340, GLP, 2 κανάλια, με εξαρτήματα, χωρίς ηλεκτρόδιο	LPV2200.98.0002
Εργαστηριακός μετρητής sensION+ EC7 για τη μέτρηση της αγωγιμότητας, με εξαρτήματα, χωρίς ηλεκτρόδιο	LPV3010.98.0002
Εργαστηριακός μετρητής sensION+ EC71 για τη μέτρηση της αγωγιμότητας, του GLP, με εξαρτήματα, χωρίς ηλεκτρόδιο	LPV3110.98.0002
Εργαστηριακός μετρητής sensION+ MM374, 2 κανάλια, GLP, εξαρτήματα, χωρίς ηλεκτρόδια	LPV4110.98.0002

### Αναλώσιμα

Περιγραφή	Αρ. προϊόντος
Ρυθμιστικό διάλυμα pH 4,01, 125 mL	LZW9460.99
Ρυθμιστικό διάλυμα pH 7,00, 125 mL	LZW9461.98
Ρυθμιστικό διάλυμα pH 10,01, 125 mL	LZW9470.99
Ρυθμιστικό διάλυμα pH 4,01, 250 mL	LZW9463.99
Ρυθμιστικό διάλυμα pH 7,00, 250 mL	LZW9464.98
Ρυθμιστικό διάλυμα pH 10,01, 250 mL	LZW9471.99
Ρυθμιστικό διάλυμα pH 4,01, 1000 mL	LZW9466.99

## Ανταλλακτικά και εξαρτήματα (συνέχεια)

Περιγραφή	Αρ. προϊόντος
Ρυθμιστικό διάλυμα pH 7,00, 1000 mL	LZW9467.98
Ρυθμιστικό διάλυμα pH 10,01, 1000 mL	LZW9472.99
Ηλεκτρολυτικό διάλυμα (KCl 3M), 125 mL	LZW9510.99
Ηλεκτρολυτικό διάλυμα (KCl 3M), 250 mL	LZW9500.99
Ηλεκτρολυτικό διάλυμα (KCl 3M), 50 mL	LZW9509.99
Ηλεκτρολυτικό διάλυμα 0,1 M, 125 mL	LZW9901.99
Ενζυμικό διάλυμα	2964349
Διάλυμα καθαρισμού πειψίνης	2964349
Διάλυμα καθαρισμού ηλεκτροδίων	2965249
Διάλυμα 0,1 N HCl	1481253

### Παρελκόμενα

Περιγραφή	Αρ. προϊόντος
Θερμικός εκτυπωτής, RS232, για πάγκο εργασίας sensION+	LZW8201.99
Θερμικό χαρτί για εκτυπωτή LZW8201, συσκευασία με 5 ρολά	LZW9117.99
Εκτυπωτής Dot-impact, RS232, για όργανα sensION+	LZW8200.99
Τυπικό χαρτί για εκτυπωτή LZW8200, συσκευασία με 10 ρολά	LZW9000.99
Ταινία για εκτυπωτή LZW8200, 3 μονάδες	LZW9001.99
Λογισμικό H/Y LabCom Easy, για sensION+ GLP, CD, καλώδιο, προσαρμογέας USB	LZW8997.99
Λογισμικό H/Y LabCom, για sensION+ GLP, CD, καλώδιο, προσαρμογέας USB	LZW8999.99

## Ανταλλακτικά και εξαρτήματα (συνέχεια)

Περιγραφή	Αρ. προϊόντος
Καλώδιο RS232, για όργανα πάγκου εργασίας sensION+	LZW9135.99
Καλώδιο RS232 για πάγκο εργασίας sensION+, με προσαρμογέα USB	LZW9135USB.99
Μαγνητικός αναδευτήρας με βάση ηλεκτροδίου, για πάγκο εργασίας sensION+ MM	LZW9319.99
Τυπωμένα ποτήρια ζέσεως 3x50 mL για βαθμονόμηση pH σε πάγκο εργασίας	LZW9110.98
Βάση τριών ηλεκτροδίων, για όργανα πάγκου εργασίας sensION+	LZW9321.99
Βάση και σφικτήρας για τρία ηλεκτρόδια	LZW9155.99
Θάλαμος από γυαλί pyrex, μετρήσεις συνεχούς ροής	LZW9118.99
Προστατευτικό PP, χώρος φύλαξης ηλεκτροδίου	LZW9161.99

## Πρότυπα διαλύματα

### Τεχνικά ρυθμιστικά διαλύματα (DIN 19267)

Ανατρέξτε στον [Πίνακα 3](#) για τις τιμές pH και ORP (mV) των συγκεκριμένων ομάδων ρυθμιστικών διαλυμάτων σε ποικίλες θερμοκρασίες.

**Πίνακας 3 Τιμές pH, ORP (mV) και θερμοκρασίας**

Θερμοκρασία		pH					mV
°C	°F						
0	32	2,01	4,01	7,12	9,52	10,30	—
10	50	2,01	4,00	7,06	9,38	10,17	245
20	68	2,00	4,00	7,02	9,26	10,06	228
<b>25</b>	<b>77</b>	<b>2,00</b>	<b>4,01</b>	<b>7,00</b>	<b>9,21</b>	<b>10,01</b>	<b>220</b>
30	86	2,00	4,01	6,99	9,16	9,96	212

**Πίνακας 3 Τιμές pH, ORP (mV) και θερμοκρασίας (συνέχεια)**

Θερμοκρασία		pH					mV
°C	°F						
40	104	2,00	4,03	6,97	9,06	9,88	195
50	122	2,00	4,06	6,97	8,99	9,82	178
60	140	2,00	4,10	6,98	8,93	9,76	160
70	158	2,01	4,16	7,00	8,88	—	—
80	176	2,01	4,22	7,04	8,83	—	—
90	194	2,01	4,30	7,09	8,79	—	—

### Ρυθμιστικά διαλύματα (DIN 19266)

Ανατρέξτε στον [Πίνακα 4](#) για τις τιμές pH και ORP (mV) των συγκεκριμένων ομάδων ρυθμιστικών διαλυμάτων σε ποικίλες θερμοκρασίες.

**Πίνακας 4 Τιμές pH, ORP (mV) και θερμοκρασίας**

Θερμοκρασία		pH					mV	
°C	°F							
5	32	1,668	4,004	6,951	7,087	9,395	10,245	13,207
10	50	1,670	4,000	6,923	7,059	9,332	10,179	13,003
20	68	1,675	4,001	6,881	7,016	9,225	10,062	12,627
<b>25</b>	<b>77</b>	<b>1,679</b>	<b>4,006</b>	<b>6,865</b>	<b>7,000</b>	<b>9,180</b>	<b>10,012</b>	<b>12,454</b>
30	86	1,683	4,012	6,853	6,987	9,139	9,966	12,289
40	104	1,694	4,031	6,838	6,970	9,068	9,889	11,984

**Πίνακας 4 Τιμές pH, ORP (mV) και θερμοκρασίας (συνέχεια)**

Θερμοκρασία		pH					mV	
°C	°F							
50	122	1,707	4,057	6,833	6,964	9,011	9,828	11,705
60	140	1,723	4,085	6,836	6,968	8,962	—	11,449
70	158	1,743	4,126	6,845	6,982	8,921	—	—
80	176	1,766	4,164	6,859	7,004	8,885	—	—
90	194	1,792	4,205	6,877	7,034	8,850	—	—

## Tehnilised andmed

Tehnilisi andmeid võidakse muuta eelneva etteteadmiseta.

Tehniline näitaja	Väärtused
Mõõtmed	35 x 20 x 11 cm (13,78 x 7,87 x 4,33 tolli)
Kaal	1100 g (2,43 naela)
Mõõduri ümbris	IP42
Energiatarve (väline)	100–240 V, 0,4 A, 47–63 Hz
Mõõduri kaitseklass	2. klass
Hoiustustemperatuur	–15 kuni +65 °C (–5 kuni +149 °F)
Töötemperatuur	0 kuni 40 °C (41 kuni 104 °F)
Tööniiskus	< 80% (mittekondenseeruv)
Eraldusvõime	pH: 0,1/0,01/0,001, ORP: 0,1/1 mV, ISE: programmeeritav, temperatuur: 0,1 °C (0,18 °F)
Mõõteviga (± 1 number)	pH: ≤ 0,002, ORP: ≤ 0,2 mV, temperatuur: ≤ 0,2 °C (≤ 0,36 °F)
Reprodutseeritavus (± 1 number)	pH: ± 0,001, ORP: ± 0,1 mV, temperatuur: ± 0,1 °C (± 0,18 °F)
Andmete salvestamine	330 tulemust ja 9 viimast kalibreerimist
Ühendused	2 kombineeritud või indikaatoriga mõõtepead: BNC pistik (Imp. >10 <sup>12</sup> Ω); 2 võrdluselektroodi: banaapistik; A.T.C. tüüpi Pt 1000: banaapistik või telefonipistik magnetsegaja: RCA pistik; 2 magnetsegajat: RCA pistik
Temperatuuri korrigeerimine	Käsitsi, Pt 1000 temperatuuri mõõtepea (A.T.C.), programmeeritav isopotentsiaalne pH, standardväärtus 7,00
Mõõtekuvaga lukustus	Pidev mõõtmise, stabiilsuse järgi
Näidikupaneel	Vedelkristall, taustvalgustusega, 128 x 64 punkti

Tehniline näitaja	Väärtused
Klaviatuur	Kaitsetöötusega PET
Sertifikaadid	CE

## Üldteave

Uuendatud väljaanded on kättesaadavad tootja veebilehel.

## Ohutusteave

### TEADE

Tootja ei vastuta mis tahes kahjude eest, mida põhjustab toote vale kasutamine, sealhulgas kuid mitte ainult otsesed, juhuslikud ja tegevuse tulemustest johtuvad kahjud, ning ütleb sellistest kahjunõuetest lahti kohaldatava seadusega lubatud täielikul määral. Kasutaja vastutab ainuisikuliselt oluliste kasutusohutuste tuvastamise ja sobivate kaitsemeetodite rakendamise eest protsesside kaitsmiseks seadme võimaliku rikke puhul.

Palun lugege enne lahtipakkimist, häälestamist või kasutamist läbi kogu käesolev juhend. Järgige kõiki ohutus- ja ettevaatusjuhiseid. Vastasel juhul võib kasutaja saada raskeid kehavigastusi või võib seade vigasta saada.

Tagage, et seadmega tarnitud ohutusseadised ei ole vigastatud. Ärge kasutage või paigaldage seadet mingil muul viisil kui käesolevas kasutusjuhendis kirjeldatud.

## Ohutusteabe kasutamine

### ⚠ OHT

Näitab potentsiaalselt või otseselt ohtlikku olukorda, mis selle mittevältimisel põhjustab surma või raskeid vigastusi.

### ⚠ HOIATUS

Näitab potentsiaalselt või otseselt ohtlikku olukorda, mis selle mittevältimisel võib põhjustada surma või raskeid vigastusi.

## ⚠ ETTEVAATUST



Näitab potentsiaalselt või otseselt ohtlikku olukorda, mis selle mittevältimisel võib põhjustada surma või raskeid vigastusi.

## TEADE

Tähistab olukorda, mis selle mittevältimisel võib seadet kahjustada. Eriti tähtis teave.

## Hoiatussildid

Lugege läbi kõik seadmele kinnitatud sildid ja märgised. Juhiste eiramise korral võite saada kehavigastusi või võib seade kahjustada saada. Seadmel olevatele sümbolitele on kasutusjuhendis lisajuhised, mis viitavad ohutus- või ettevaatusmeetmetele.

	See mõõteriistal olev sümbol viitab kasutusjuhendile ja/või ohutuseeskirjadele.
	Selle sümboliga märgistatud elektriseadmeid ei tohi alates 12. augustist 2005. a. Euroopa riikides käidelda tavakäitlusviisidega. Vastavalt Euroopa Liidu ja liikmesriikide seadustega (EÜ direktiiv 2002/98/EÜ) peab Euroopa kasutaja saama tasuta tagastada vana või kasutatud seadme tootjale utiliseerimiseks. <b>Märkus.</b> Kasutatud seadme tagastamiseks võtke ühendust seadme tootjaga või tarnijaga, et teada saada kasutatud seadmete ning tarnitud elektriseadmete ja lisatarvikute tagastamise ning nõuetekohase utiliseerimise kord.

## Tootekirjeldus

sensION™+ mõõtureid kasutatakse koos mõõtepeadega, et mõõta vee erinevaid parameetreid.

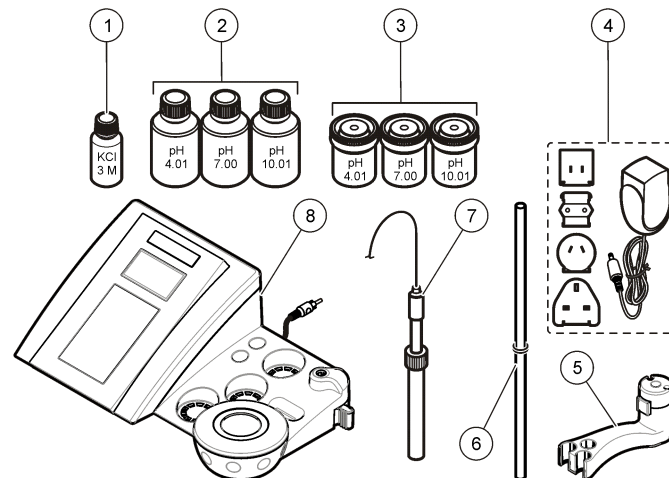
sensION™+ MM340 mõõturil on kaks mõõtekanalit, et mõõta selektiivse mõõtepeaga pH-d, ORP-i (mV) või ISE-d (kontsentratsioon).

Mõõteandmed saab säilitada ja edastada printerisse või arvutisse.

## Toote osad

Vaadake **Joonis 1** veendumaks, et kõik osad on kätte saadud. Kui mõned esemed puuduvad või on kahjustatud, siis pöörduge kohe tootja või müügiesindaja poole.

## Joonis 1 Mõõтури osad

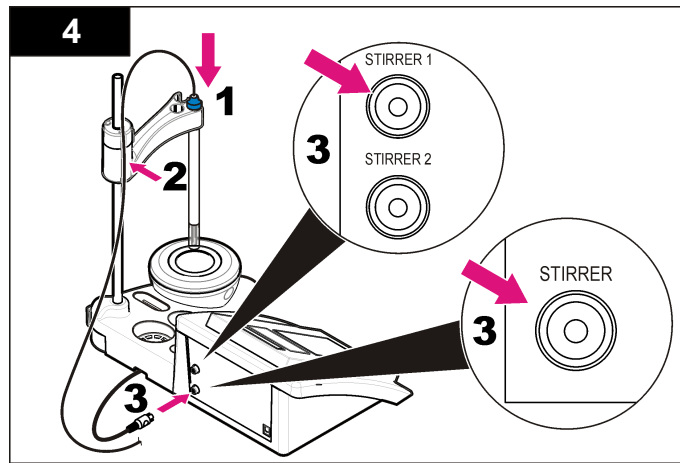
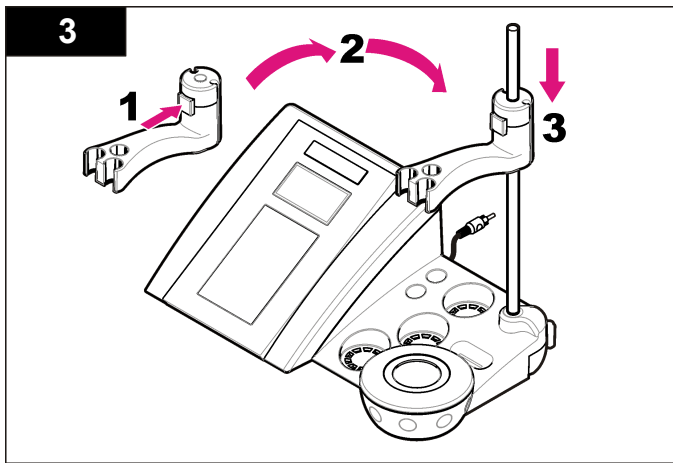
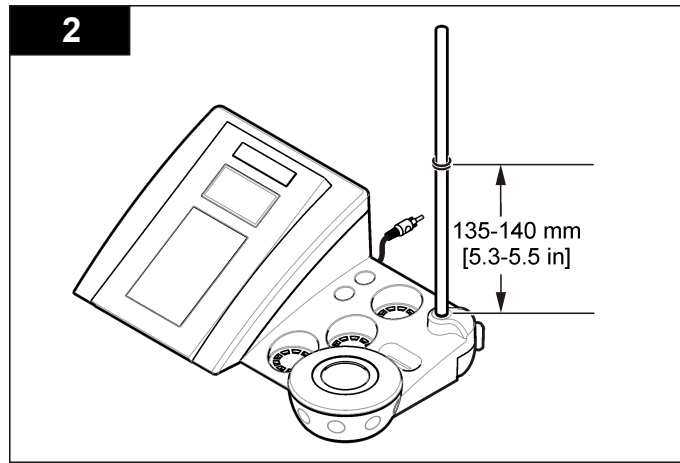
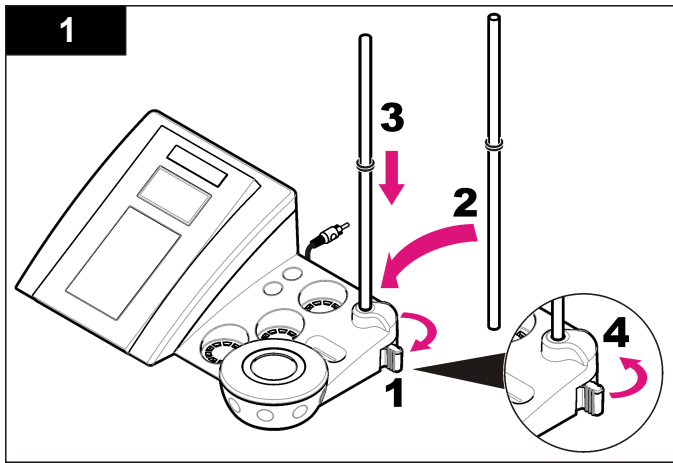


1 Mõõtepea elektrolüüdilahus	5 Mõõtepea hoidik
2 Puhverlahused (pH 4,01; pH 7,00 ja pH 10,01)	6 Rõngaga statiiv
3 Kalibreerimise keeduklaasid (sisaldavad magnetpulka)	7 Mõõtepea (kaasas ainult komplektidega)
4 Toide	8 Mõõtur

## Paigaldamine

### Pange mõõtepea hoidik kokku

Mõõtepea hoidiku kokku panemisel ja magnetsegaja ühendamisel järgige nummerdatud etappe.



## Vahelduvvoolutoite ühendamine

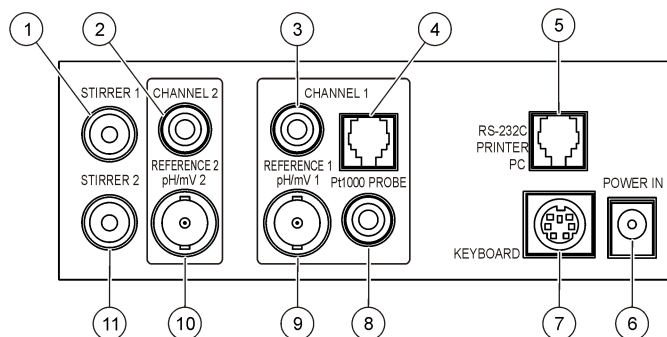
**⚠ OHT**

Elektrilöögi oht. Kui seadet kasutatakse välistingimustes või kohas, kus võib olla märg, tuleb seadme toiteallikaga ühendamisel kasutada maandusahela rikke kaitselülitit (GFCI/GFI).

Mõõtur kasutab universaalse toiteadapteri abil vahelduvvoolutoidet.

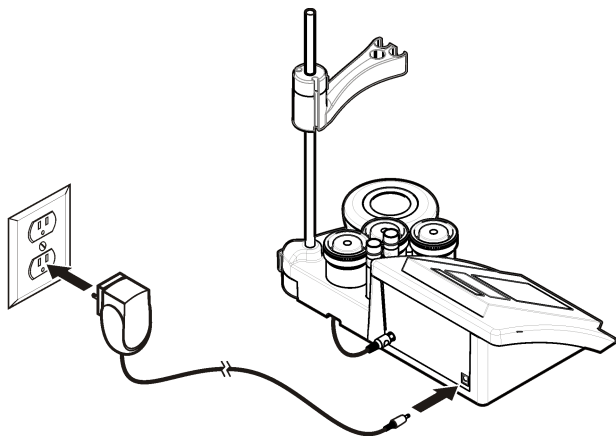
1. Valige adapterikomplektist pistikupesaga sobiv adapteri pistik.
2. Ühendage universaalne toiteadapter mõõturiga (Joonis 2).
3. Ühendage universaalne toiteadapter pistikupesaga kaudu vooluvõrku (Joonis 3).
4. Lülitage mõõtur sisse.

Joonis 2 Ühenduspaneel



1	1. magnetsegaja pistik, 1. kanal	7	Mini-DIN pistik arvutiklaviatuurile
2	Võrdluselektroodi (eraldatud elektroodid) pistik, 1. kanal	8	Temperatuuri mõõtepea pistik, 2. kanal
3	Võrdluselektroodi (eraldatud elektroodid) pistik, 2. kanal	9	Kombineeritud pH-elektroodi (või indikaatori) pistik, 2. kanal
4	Eraldatud temperatuuri mõõtepea pistik, 2. kanal	10	Kombineeritud pH-elektroodi (või indikaatori) pistik, 1. kanal
5	RS-232 printeri või arvuti pistiku jaoks	11	2. magnetsegaja pistik, 2. kanal
6	Toide		

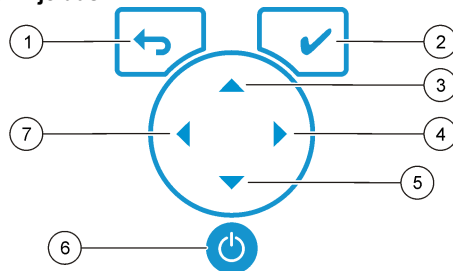
Joonis 3 Vahelduvvoolutoite ühendamine



## Kasutajaliides ja navigeerimine

### Kasutajaliides

#### Klahvistiku kirjeldus



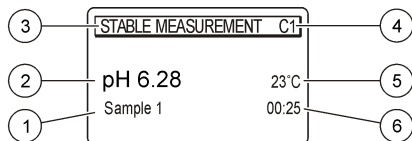
<b>1</b> Klahv RETURN (Tagasi): Tühistamine või naasmine eelmise menüükuva juurde	<b>5</b> klahv DOWN (alla): teiste valikute juurde kerimine, väärtuste muutmine
<b>2</b> Klahv MEASUREMENT (Mõõtmine): Valitud suvandi kinnitamine	<b>6</b> ON/OFF (sisse/välja): lülitab mõõturi sisse või välja
<b>3</b> Klahv UP (üles): teiste valikute juurde kerimine, väärtuste muutmine	<b>7</b> Klahv LEFT (Vasak): Channel 1 (1. kanal) ja Channel 2 (2. kanal) vahel valimine, numbrite ja tähtede sisestamine
<b>4</b> Klahv RIGHT (Parem): Channel 1 (1. kanal) ja Channel 2 (2. kanal) vahel valimine, numbrite ja tähtede sisestamine	

### Ekraani kirjeldus

Mõõturi ekraanil kuvatakse kontsentratsioon, ühikud, temperatuur, kalibreerimisolek, kasutaja ID, proovi ID, kuupäev ja kellaaeg.



## Joonis 4 Ühe ekraani kuva



1 Proovi ID	4 Proovi temperatuur (°C või °F)
2 Mõõtühik ja väärtus (pH, ORP (mV) või ISE)	5 Visuaalse mõõtmise taimer
3 Mõõtorežiim või kuupäev ja kellaaeg	

## Navigeerimine

Kasutage , et naasta eelmisesse menüüsse. Vajutage mõõteklahvi , et läbi viia proovimõõtmine või kinnitada valikud. Kasutage nooleklahve , et kerida teiste valikute vahel või muuta väärtusi. Kasutage parameetrite muutmiseks nooleklahve ja . Iga protseduuri läbi viimiseks tutvuge vastava juhendmaterjaliga.

## Käivitamine

### Lülitage mõõtur sisse ja välja

<b>TEADE</b>
Veenduge enne mõõtuuri sisse lülitamist, et mõõtepea on ühendatud.

Vajutage , et mõõtuuri sisse või välja lülitada. Kui mõõtur ei lülitu sisse, veenduge, et vahelduvvooluadapter on korralikult pistikupessa ühendatud.

## Keele muutmine

Näidikupaneeli keel valitakse pärast mõõtuuri esmakordset sisselülitamist.

1. Keele valimiseks nimekirjast vajutage või .

2. Kinnitage see vajutades . Mõõtekraanil kuvatakse DATA OUTPUT (Andmete väljastamine).
3. Kui ühendatud ei ole ühtki printerit või arvutit, valige Deactivated (Deaktiveeritud) ja kinnitage. Vaadake [Valige väljastatavad andmed](#) leheküljel 408, et leida lisainformatsiooni Data Output (Andmete väljastamine) funktsiooni kohta.

## Tavatoimingud

### Kalibreerimine

<b>⚠ HOIATUS</b>
Kemikaalidega kokkupuuteoht. Järgige labori ohutusprotseduure ja kasutage käideldavatele kemikaalidele vastavat kaitsevarustust. Ohutuseeskirjad leiate käesolevatelt ohutuskaartidelt (MSDS).

### Kalibreerimissätted

Kalibreerimissätete hulka kuuluvad Calibration type (Kalibreerimise tüüp), Calibration frequency (Kalibreerimise tihedus) ja Display options (Kuvamise võimalused).

1. Vajutage peamenüüs olles või , et valida CALIBRATION (Kalibreerimine). Kinnitage.
2. Vajutage , et siseneda kalibreerimismenüüsse.
3. Vajutage või , et valida järgmiste võimaluste hulgast:

Valik	Kirjeldus
<b>Stability C.:</b>	Kriteerium stabiilsuse järgi—valige Fast (kiire), Standard (tavaline) või Strict (range).
<b>Calibration type</b>	Kalibreerimise tüüp—valige Technical buffers (Tehnilised puhverlahused), DIN19266 Buffers (DIN19266 puhverlahused), User Buffers (Kasutaja puhverlahused), To a X value (väärtuseni X), data introduction (Andmesisestus) või Theoretical calibration (Teoreetiline kalibreerimine). Vaadake täpsema teabe saamiseks <a href="#">Calibration types</a> .

Valik	Kirjeldus
<b>Cal. frequency</b>	Kalibreerimise meeldetuletus—võimalik määrata vahemikus 0–7 päeva (vaikeväärtus: kord päevas). Näidikupaneelil kuvatakse uue kalibreerimiseni jäänud aega. Vaadake täpsema teabe saamiseks <a href="#">Kalibreerimise meelepea määramine</a> leheküljel 407.
<b>Display mV</b>	mV kuvamine—mV kuvamiseks valige YES (jah) või NO (ei).
<b>Standard 220 mV</b>	Standardlahus 220 mV—kalibreerige kasutades 220 mV standardlahust
<b>To a X value</b>	Kalibreerimine X-väärtuseni—kasutage spetsiaalset standardlahust. Reguleerige väärtust kalibreerimise ajal.
<b>Data introduction</b>	Andmesisestus Kompenseerimine—Sisestage parandustegur
<b>Factory adjust</b>	Tehaseseadete reguleerimine—sisestage parandustegur

### Kalibreerimise tüübid

Võimalik on valida erinevate kalibreerimise tüüpide vahel.

1. Vajutage peamenüüs olles **▲** või **▼**, et valida CALIBRATION (Kalibreerimine). Kinnitage.
2. Vajutage **▲**, et siseneda kalibreerimismenüüsse.
3. Kasutage klahvi **▲** või **▼**, et valida kalibreerimise tüüp.

Valik	Kirjeldus
<b>Technical buffers (Tehnilised puhverlahused)</b>	pH 2,00; 4,01; 7,00; 9,21 ja 10,01 temperatuuril 25 °C (77 °F)
<b>DIN19266 Buffers (DIN19266 puhverlahused)</b>	pH 1,679, 4,006, 6,865, 7,000, 9,180, 10,012 ja 12,454
<b>User Buffers (Kasutaja puhverlahused)</b>	Valitakse juhul, kui ei kasutata ei tehnilisi ega DIN19266 puhverlahuseid. Vaadake <a href="#">Tehnilised puhverlahused (DIN 19267)</a> leheküljel 415, et leida kindlate puhvrikombinatsioonidele pH väärtused erinevatel temperatuuridel.

Valik	Kirjeldus
<b>Calibration to a X value (kalibreerimine X-väärtuseni)</b>	Kasutatakse ükskõik missuguse mõõdetud pH skaala väärtuse käsitsi reguleerimiseks.
<b>Data introduction (Andmesisestus)</b>	Käsitsi mõõtepea konstantide sisestamine.
<b>Theoretical calibration (Teoreetiline kalibreerimine)</b>	Asendatakse mõõtepea kalibreerimise andmed 25 °C (77 °F) juures.

### Kalibreerimine

Seda töökäiku kasutatakse üldiselt vedelate kalibreerimislahustega. Lisainfot leiate iga mõõtepeaga kaasas olevatelt dokumentidelt.

**Märkus.** Kalibreerimise ajal peaks lahuseid segama. Lisainfo segamise sätete kohta leiate [Segamissätete muutmise](#) leheküljel 409.

1. Valage puhverlahused või kalibreerimislahused sildistatud kalibreerimise keeduklaasidesse.
2. Vajutage peamenüüs olles **▲** või **▼** ja **◀** ja **▶**, et valida parameeter CALIBRATION (kalibreerimine). Kinnitage.
3. Kui seda nõutakse, valige Operator ID (kasutaja ID) (1 kuni 10) ja kinnitage.
4. Loputage mõõtepead deioniseeritud veega ja asetage mõõtepea esimesse kalibreerimise keeduklaasi. Veenduge, et membraani pole jäänud õhumulle.
5. Vajutage **✓**, et alustada kalibreerimist.
6. Vajutage **✓**, et mõõta esimest kalibreerimislahust. Kuvatakse järgmine kalibreerimislahus.
7. Loputage mõõtepead deioniseeritud veega ja asetage mõõtepea teise kalibreerimise keeduklaasi. Veenduge, et membraani pole jäänud õhumulle.
8. Vajutage **✓**, et mõõta teist kalibreerimislahust. Kuvatakse järgmine kalibreerimislahus.
9. Loputage mõõtepead deioniseeritud veega ja asetage mõõtepea kolmandasse kalibreerimise keeduklaasi. Veenduge, et membraani pole jäänud õhumulle.
10. Vajutage **✓**, et mõõta kolmandat kalibreerimislahust.

Kui kalibreerimine õnnestus, kuvatakse ekraanil hetkeks Calibration OK (Kalibreerimine korras) ja seejärel kuvatakse taas peamenüü.

**Märkus.** Kui mõõtur on ühendatud printeriga, avaneb printimismenüü ja tulemusi on võimalik printida.

## Kalibreerimise andmete vaatamine

Vaadata saab viimase kalibreerimise andmed.

1. Kasutage peamenüüs olles klahve ▲ või ▼, et valida DATA LOGGER (Andmelogija). Kinnitage.
2. Valige Display data (Andmete kuvamine).
3. Valige Calibration data (Kalibreerimise andmed) ja vajutage kinnitamiseks ✓. Näidatakse viimase kalibreerimise andmeid.
  - pH - tõusu ja nihke väärtused on näidatud sõltuvuses deviatsioonist (%) ja kalibratsioonitemperatuurist.
  - ORP - kuvatakse mõõdetud mV väärtus ja kalibratsioonitemperatuur.
  - Elektrijuhtivus - iga standardlahuse kohta näidatakse nõukonstanti ja kalibratsioonitemperatuuri.

## Kalibreerimise meelespea määramine

Kalibreerimise meelespeaks saab määrata 0 kuni 23 tundi või 1 kuni 7 päeva (vaikimisi 1 päev). Näidikupaneelil kuvatakse uue kalibreerimiseni jäänud aega.

**Märkus.** Kui valitud on 0 päeva, on kalibreerimise meelespea välja lülitatud.

1. Vajutage peamenüüs olles ▲ või ▼, et valida CALIBRATION (Kalibreerimine). Kinnitage.
2. Vajutage ▲, et siseneda kalibreerimismenüüsse.
3. Vajutage ▲ või ▼, et valida Cal. frequency (Kalibreerimise sagedus) ja kinnitage.
4. Kasutage klahvi ◀ ja ▶, et liikuda edasi järgmisesse etappi ja seejärel kasutage väärtuse muutmiseks klahvi ▲ või ▼. Kinnitage. Vajutage ✓, et alustada kalibreerimist.

## Proovide mõõtmine

Igal mõõtepeal on spetsiifilised ettevalmistavad sammud ja proovide mõõtmise toimingud.

1. Vajutage peamenüüs olles ▲ või ▼ ja ◀ ja ▶, et valida MEASURE (Mõõtmine). Kinnitage.
2. Vajutage ▲, et muuta järgmisi sätteid. Kinnitage iga kanne.

Valikväärtus	Selgitus
<b>Lahendus</b>	Valige eraldusvõime: 1, 0,1, 0,01 (vaikeväärtus) või 0,001
<b>Measure (Mõõtmine)</b>	Stability (Stabiilsus)—valige By stability Criterion (Stabiilsuskriteeriumi järgi): Fast (Kiire)(varieerumine < 0,02 pH 6 s jooksul), Standard (Standard) (varieerumine < 0,01 pH 6 s jooksul) või Strict (Range) (varieerumine < 0,002 pH 6 s jooksul). In continuous (Pidev)—sisestage ajavahemik In continuous Acquis. interval (pideva hankimise intervall) (andmete säilitamine või printimine). By time (Aja järgi)—sisestage ajavahemik andmete säilitamiseks või printimiseks.
<b>Display mV</b>	mV kuvamine—mV kuvamiseks valige YES (jah) või NO (ei).
<b>Limits</b>	Piirid—valige kas YES (Jah) või NO (Ei). YES (Jah): Sisestage alam- ja ülempiir. Kui mõõtetulemus asub väljaspool piire, kõlab hoiatussignaal. Raportis kuvatakse väljaspool mõõtepiirkonda asunud väärtuse kõrval A.
<b>Isopotential</b>	Isopotentsiaal—muutke isopotentsiaalse pH väärtust jaotises Data introduction (Andmesisestus). Mõõtepea uuesti kalibreerimiseks valige Calculate (Arvuta).

3. Vajutage ✓ et alustada mõõtmist.

**Märkus.** Kui mõõtmistulemus ei stabiliseeru 120 sekundi möödumisel, lülitub mõõtur automaatselt pideva mõõtmise režiimi.

## Keerukamad toimingud

### Mõõtühikute muutmise

Iga kanali mõõtühikuid saab eraldi muuta.

1. Kasutage peamenüüs olles klahvi ▲ või ▼, et valida SYSTEM (Süsteem). Kinnitage.
2. Kasutage klahvi ▲ või ▼, et valida Measurment units (Mõõtühikud) ja kinnitage.
3. Valige Channel 1 (1. kanal) või Channel 2 (2. kanal) ja kinnitage.
4. Valige ORP (mV) pH või ISE ja kinnitage.

## Proovi ID kasutamine

Proovi ID silti kasutatakse näitude seostamiseks konkreetse proovi asukohaga. Kui see on määratud, sisaldavad salvestatavad andmed ka seda ID-d.

1. Kasutage peamenüüs olles klahvi ▲ või ▼, et valida SYSTEM (Süsteem). Kinnitage.
2. Vajutage ▲ või ▼, et valida Sample ID (Proovi ID) ja kinnitage.
3. Valimiseks vajutage ▲ või ▼

### Valikväärtus Selgitus

**Automaatne** Igale proovile omistatakse automaatselt järjekorranumber.

**Juhend** Proovi ID nime sisestamises enne proovi võtmist on vaja klaviatuuri või triipkoodi skannerit (kuni 15 tähemärki).

## Valige väljastatavad andmed

Andmed võib säilitada või edastada printerisse või arvutisse.

1. Kasutage peamenüüs olles klahvi ▲ või ▼, et valida SYSTEM (Süsteem). Kinnitage.
2. Kasutage klahvi ▲ või ▼, et valida Data Output (Andmete väljastamine) ja kinnitage.
3. Valimiseks vajutage ▲ või ▼

### Suvand

### Kirjeldus

**Deactivated**  
(Deaktiveeritud)

Valige Deactivated (Deaktiveeritud), kui ühendatud pole ühtki printerit või arvutit.

### Suvand

### Kirjeldus

**For Printer (Printeri jaoks)**

Valige Dot matrix printer (Maatriksprinter) või Thermal printer (Termoprinter).

**For Computer (Arvuti jaoks)**

Valige Terminal, LabCom või LabCom Easy. LabCom tarkvara kontrollib otse arvutist mitmeid mooduleid, pH ja elektrijuhtivuse mõõtureid, automaatseid bürette, dosaatoreid jne. LabCom Easy tarkvara hangib pH ja elektrijuhtivuse andmed arvutist.

## Kuupäeva ja kellaaja muutmine

Kuupäeva ja kellaaga saab muuta menüüst Date / Time (Kuupäev / kellaeg).

1. Kasutage peamenüüs olles klahvi ▲ või ▼, et valida SYSTEM (Süsteem). Kinnitage.
2. Kasutage klahvi ▲ või ▼, et valida Date / Time (kuupäev / kellaeg) ja kinnitage.
3. Kasutage klahvi ◀ ja ▶, et liikuda edasi järgmisesse etappi ja seejärel kasutage väärtuse muutmiseks klahvi ▲ või ▼. Kinnitage. Sisestatud kuupäev ja kellaeg kuvatakse ekraanil.

## Näidikupaneeli kontrastsuse reguleerimine.

1. Kasutage peamenüüs olles klahvi ▲ või ▼, et valida SYSTEM (Süsteem). Kinnitage.
2. Kasutage klahvi ▲ või ▼, et valida Display contrast (Näidikupaneeli kontrastsus) ja kinnitage.
3. Kasutage klahve ◀ ja ▶, et reguleerida näidikupaneeli kontrastsust ja kinnitage.

## Temperatuuri määramine

Temperatuuriks saab määrata 25 °C (77 °F) ja/või 85 °C (185 °F), et tösta mõõtmise täpsust.

1. Asetage mõõtepea ja võrdlustermomeeter veemahutisse, kus temperatuur on umbes 25 °C ja oodake, kuni temperatuur stabiliseerub.
2. Võrrelge mõõtuuri temperatuurinäitu võrdlustermomeetri omaga. Väärtuste vahe on mõõtuuri parandustegur. Näiteks: võrdlustermomeeter: 24,5 °C; mõõtur: 24,3 °C. parandustegur: 0,2 °C.
3. Sisestage parandustegur 25 °C näidule:
  - a. Kasutage peamenüüs olles klahvi ▲ või ▼, et valida SYSTEM (Süsteem). Kinnitage.
  - b. Kasutage klahvi ▲ või ▼, et temperatuuri muuta ja kinnitage.
  - c. Valige Channel 1 (1. kanal) või Channel 2 (2. kanal) ja kinnitage. 1. kanali kaudu mõõdetakse temperatuuri juhtivusnõu ja 2. kanali kaudu pH-mõõtepea juures. Kui ei ole ühendatud ühtki mõõtenõud, tuleb temperatuuri väärtus sisestada käsitsi või kasutada mõõtuuril 2. kanali kaudu mõõdetud temperatuuri.
  - d. Kasutage klahvi ▲ või ▼, et valida 25 °C ja kinnitage.
  - e. Parandusteguri sisestamiseks 25 °C jaoks kasutage nooleklahve. Kinnitage.
4. Asetage mõõtepea ja võrdlustermomeeter veemahutisse, kus temperatuur on umbes 85 °C ja oodake, kuni temperatuur stabiliseerub.
5. Võrrelge mõõtuuri temperatuurinäitu võrdlustermomeetri omaga. Väärtuste vahe on mõõtuuri parandustegur.
  - a. Kasutage klahve ▲ või ▼, et valida 85 °C ja kinnitage.
  - b. Parandusarvu sisestamiseks 85 °C jaoks kasutage nooleklahve. Kinnitage.
  - c. Valige Save changes (Salvesta muutused) ja kinnitage.

## Segamissätete muutmise

Magnetsegaja saab sisse lülitada ja segamiskiirust saab muuta menüüst Stiring (Segamine).

1. Kasutage peamenüüs olles klahvi ▲ või ▼, et valida SYSTEM (Süsteem). Kinnitage.

2. Kasutage klahvi ▲ või ▼, et valida Stiring (Segamine) ja kinnitage.
3. Segaja sisse või välja lülitamiseks vajutage ✓.
4. Kui segaja on sisse lülitatud, vajutage ▲ või ▼, et muuta segamiskiirust (%).

**Märkus.** Kasutage klahvi ▲ või ▼, et muuta segamiskiirust kalibreerimise või mõõtmise ajal.

## Lülitage segaja sisse või välja

1. segaja töötab nii 1. kui 2. kanaliga (1. segaja). Teise segaja saab ühendada 2. kanaliga (2. segaja). 2. segaja aktiveerimiseks tuleb läbida järgmised etapid.

1. Kasutage peamenüüs olles klahvi ▲ või ▼, et valida SYSTEM (Süsteem). Kinnitage see vajutades ✓.
2. Vajutage ▲ või ▼, et valida Stirrer N.2 (2. segaja) ja vajutage kinnitamiseks ✓.
3. Vajutage ▲ või ▼, et valida YES (Jah). See lülitab 2. segaja sisse. **Märkus.** 2. segaja välja lülitamiseks valige NO (Ei).

## Temperatuuriühikute muutmise

Temperatuuriühikutest saab valida Celsiuse ja Fahrenheiti vahel.

1. Kasutage peamenüüs olles klahvi ▲ või ▼, et valida SYSTEM (Süsteem). Kinnitage.
2. Kasutage klahvi ▲ või ▼, et valida Temperature units (Temperatuuriühikud) ja kinnitage.
3. Kasutage klahvi ▲ või ▼, et valida kas Celsius või Fahrenheit ja kinnitage.

## Andmelogija

### Andmete kuvamine

Display data log (Andmete kuvamise logi) sisaldab järgmist: Measurement data (Mõõteandmed), Electrode report (Elektroodi raport) ja Calibration data (Kalibreerimisandmed). Säilitatavaid andmeid võib saata printerisse või arvutisse. Kui andmelogi saab täis (400 andmepunkti), kustutatakse uue andmepunkti lisamisel vanim andmepunkt.

1. Kasutage klahve ◀ ja ▶, et valida Channel 1 (1. kanal) või Channel 2 (2. kanal) ja kinnitage.
2. Kasutage peamenüüs olles klahvi ▲ või ▼, et valida SYSTEM (Süsteem). Kinnitage.
3. Kasutage klahvi ▲ või ▼, et valida DATA LOGGER (Andmelogija) ja kinnitage.
4. Kasutage klahvi ▲ või ▼, et valida Display data (Andmete kuvamine) ja kinnitage.
5. Valimiseks vajutage ▲ või ▼

Valikväärtus	Selgitus
Measurement data	Mõõteandmed—säilitab automaatselt iga mõõtmise andmed
Electrode report	Elektroodi raport—säilitab automaatselt elektroodi ajaloo ja mõõtmistingimused
Calibration data	Kalibreerimisandmed—säilitab automaatselt kehtiva kalibreerimise

### Andmete kustutamine

Juba printerisse või arvutisse saadetud andmete eemaldamiseks saab kustutada kõik mõõtmisandmed või elektroodi logi.

1. Kasutage peamenüüs olles klahvi ▲ või ▼, et valida SYSTEM (Süsteem). Kinnitage.
2. Kasutage klahvi ▲ või ▼, et valida DATA LOGGER (Andmelogija) ja kinnitage.

3. Kasutage klahvi ▲ või ▼, et valida Erase (Kustuta) ja kinnitage.
4. Kasutage klahvi ▲ või ▼, et valida Measurement data (Mõõteandmed) või Electrode report (Elektroodi raport) ja kinnitage. Kinnitage uuesti, et andmed kustutataks. Kogu logi kustutatakse korraga.

### Andmete saatmine printerisse või arvutisse

#### TEADE

Kõigepealt tuleb valida andmete sihtkoht (printer või arvuti), et menüü Print (Printimine) oleks saadaval (vt [Valige väljastatavad andmed](#) leheküljel 408).

**Märkus.** Vaadake [Raporti väljastamine](#) leheküljel 410, et valida raporti väljundi tüüp.

1. Kasutage peamenüüs olles klahvi ▲ või ▼, et valida SYSTEM (Süsteem). Kinnitage.
2. Kasutage klahvi ▲ või ▼, et valida DATA LOGGER (Andmelogija) ja kinnitage.
3. Vajutage ▲ või ▼ et valida Print (Printimine) ja kinnitage. Andmete printimiseks valige üks järgmistest võimalustest ja kinnitage vajutades ✓: Measurement data (Mõõteandmed), Electrode data (Elektroodi andmed), Calibration data (Kalibreerimise andmed), Calibration report (Kalibreerimise raport) või Instrument condit. (Aparaadi seisund).

### Raporti väljastamine

#### TEADE

Kõigepealt tuleb valida andmete väljastamise viis (printer või arvuti), nii et menüü Type of report (Raporti tüüp) oleks saadaval (vt [Valige väljastatavad andmed](#) leheküljel 408).

Kui arvuti või printer on ühendatud, saab valida erinevate raporti tüüpide vahel.

1. Kasutage peamenüüs olles klahvi ▲ või ▼, et valida SYSTEM (Süsteem). Kinnitage.
2. Vajutage ▲ või ▼, et valida Type of report (Raporti tüüp) ja kinnitage.

3. Kui printer või arvuti ja terminal on ühendatud, vajutage ▲ või ▼, et valida

Suvand	Kirjeldus
<b>Reduced (Vähendatud)</b>	Valige väljundi formaadiks kas Several (Mõned) või One sample (Üks proov)
<b>Standard (Standard)</b>	Valige väljundi formaadiks Several or One sample (mõned või üks proov). Valige mõned: <b>Users (Kasutajad)</b> : Kasutaja nimi (17 tähemärki) märgitakse printitavale raportile. <b>Header (Pealkiri)</b> :Pealkirjana võib lisada firma nime (40 tähemärki), mis märgitakse printitavale raportile. <b>Identify sensor (Anduri tuvastamine)</b> :Lisada saab anduri mudeli ja anduri seerianumbri, see märgitakse printitavale raportile.
<b>GLP (Hea laboritava)</b>	Valige väljundi formaadiks Several or One sample (mõned või üks proov). Valige mõned: <b>Users (Kasutajad)</b> : Kasutaja nimi (17 tähemärki) märgitakse printitavale raportile. <b>Header (Pealkiri)</b> :Pealkirjana võib lisada firma nime (40 tähemärki), mis märgitakse printitavale raportile. <b>Identify sensor (Anduri tuvastamine)</b> :Lisada saab anduri mudeli ja anduri seerianumbri, see märgitakse printitavale raportile.

4. Kui arvuti on ühendatud ja valitud on LabCom Easy (vt [Valige väljastatavad andmed](#) leheküljel 408, et leida lisateavet), kasutage valimiseks ▲ või ▼

Suvand	Kirjeldus
<b>Users (Kasutajad)</b>	Kasutaja nimi märgitakse printitavale raportile (17 tähemärki)
<b>Identify sensor (Anduri tuvastamine)</b>	Lisada saab anduri mudeli ja anduri seerianumbri, mis märgitakse printitavale raportile.

## Hooldus

### ▲ HOIATUS

Erinevad ohud. Ärge võtke seadet hooldamiseks või parandamiseks lahti. Kui seadme sees olevad osad vajavad puhastamist või remonti, võtke ühendust tootjaga.

### ▲ ETTEVAATUST

Kehavigastuse oht. Selles juhendi osas kirjeldatud toiminguid tohivad teha vaid pädevad töötajad.

## Mõõdiku puhastamine

### TEADE

Mõõdiku, sh ekraani ja tarvikute, puhastamiseks ei tohi kunagi kasutada puhastusvahendeid nagu tärpentiin, atsetoon või sarnaseid vahendeid.

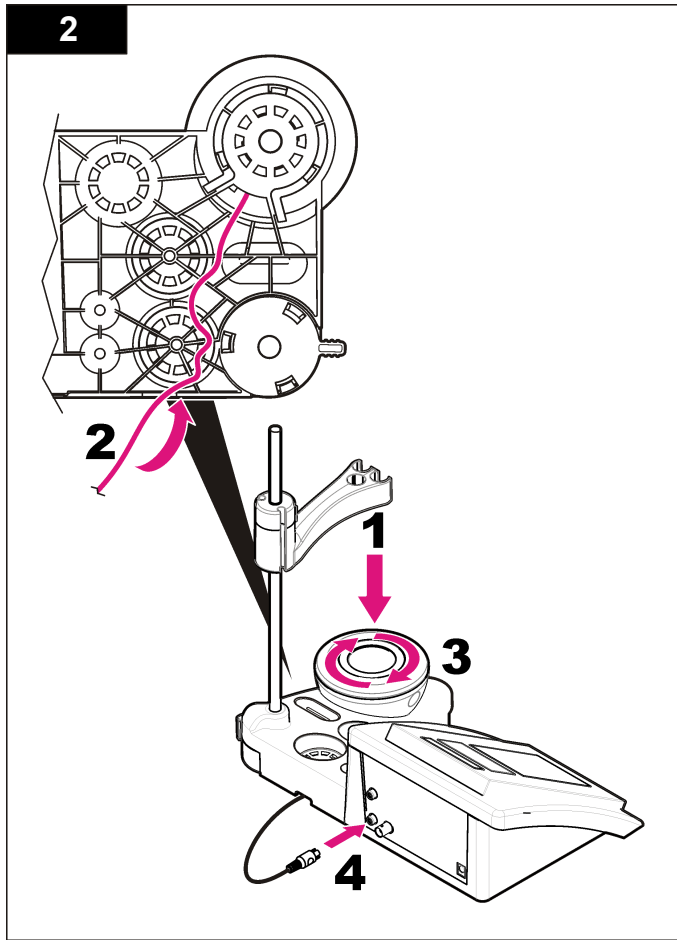
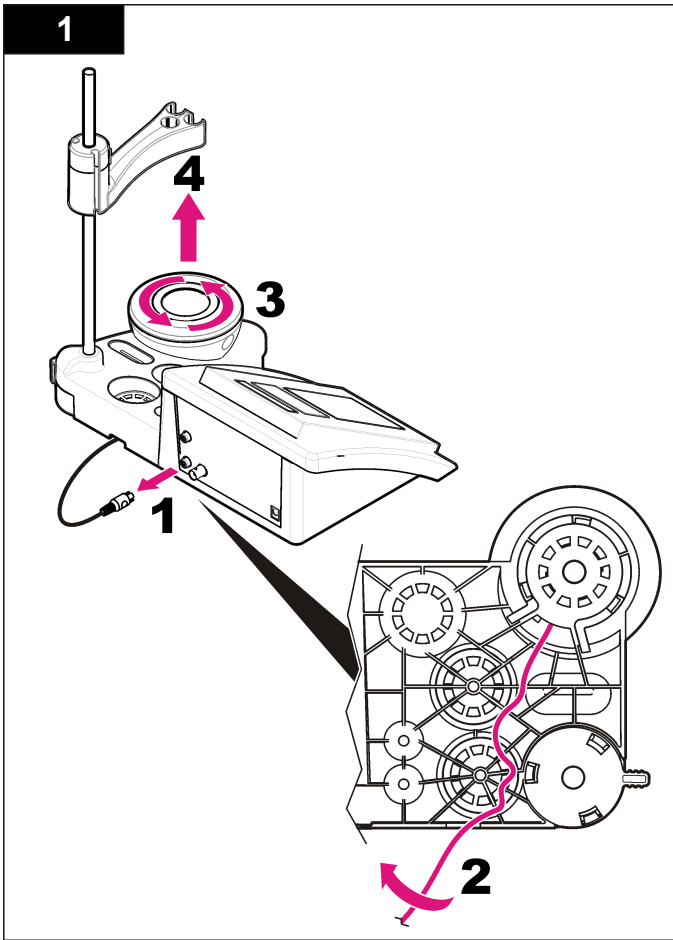
Kasutage seadme välispinna puhastamiseks niisket lappi ja õrna seebilahust.

## Mõõtepea puhastamine

Puhastage mõõtepea vastavalt vajadusele. Vaadake [Veotsing](#) leheküljel 413, et leida lisainformatsiooni puhastamise kohta. Mõõtepea hoolduse kohta leiate informatsiooni mõõtepea dokumentatsioonist.

## Magnetsegaja asendamine

Kui magnetsegaja ei hakka tööle, läbige magnetsegaja välja vahetamisel nummerdatud etapid.





## Veotsing

Sellest tabelist leiata tavapärased veateated või sümptomid, võimalikud põhjused ja korrigeerivad tegevused.

**Tabel 1 Kalibreerimishoiatused ja -vead**

Viga/hoiatus	Lahendus
Asymmetry > 58 mV (Asümmeetria > 58 mV)	Tõus on piiridest väljas (aktsepteeritud vahemik ± 58 mV). Kalibreerige uuesti. Ühendage uus mõõtepea.
Buffer or electrode in poor conditions (Puhverlahuse või elektroodi seisund on kehv).	Kontrollige mõõtepead: Puhastage mõõtepea (Lisateavet leiata <a href="#">Mõõtepea puhastamine</a> leheküljel 411). Veenduge et membraanis ei oleks õhumulle. Raputage mõõtepead nagu kraadiklaasi. Ühendage mõni muu mõõtepea, et selgitada välja, kas probleem on seotud mõõtepea või mõõturiga.  Kontrollige puhverlahust: Veenduge, et kasutatav puhverlahus vastab konfiguratsioonis määratud puhverlahusele. Veenduge, et konfiguratsioonis on määratud õige temperatuur. Kasutage uut puhverlahust.
BUFFER NOT RECOGNIZED (Puhverlahust ei suudetud tuvastada)	Kalibreerige uuesti. Kontrollige mõõtepead: Puhastage mõõtepea (Lisateavet leiata <a href="#">Mõõtepea puhastamine</a> leheküljel 411). Veenduge et membraanis ei oleks õhumulle. Raputage mõõtepead nagu kraadiklaasi. Ühendage mõni muu mõõtepea, et selgitada välja, kas probleem on seotud mõõtepea või mõõturiga.
Sens. (a) < 70% (Tundlikkus (a) < 70%)	Kontrollige puhverlahust: Veenduge, et kasutatav puhverlahus vastab konfiguratsioonis määratud puhverlahusele. Veenduge, et konfiguratsioonis on määratud õige temperatuur. Kasutage uut puhverlahust.

**Tabel 1 Kalibreerimishoiatused ja -vead (järgneb)**

Viga/hoiatus	Lahendus
UNSTABLE READING (Ebastabiilne näit) Time $\tau$ > 100 s (Aeg $\tau$ > 100 s)	Kalibreerige uuesti. Kontrollige mõõtepead: Puhastage mõõtepea (Lisateavet leiata <a href="#">Mõõtepea puhastamine</a> leheküljel 411). Veenduge et membraanis ei oleks õhumulle. Raputage mõõtepead nagu kraadiklaasi. Ühendage mõni muu mõõtepea, et selgitada välja, kas probleem on seotud mõõtepea või mõõturiga.  Veenduge, et membraan ja diafragma on korralikult proovi sukeldatud.
Check temperature (Kontrollige temperatuuri). Check electrode (Kontrollige elektroodi)	Kontrollige konfigureeritud temperatuurisätteid. Kontrollige mõõtepead: Puhastage mõõtepea (Lisateavet leiata <a href="#">Mõõtepea puhastamine</a> leheküljel 411). Veenduge et membraanis ei oleks õhumulle. Raputage mõõtepead nagu kraadiklaasi. Ühendage mõni muu mõõtepea, et selgitada välja, kas probleem on seotud mõõtepea või mõõturiga.
Electrode in poor conditions (Elektroodi seisund on kehv).	Kontrollige mõõtepead: Puhastage mõõtepea (Lisateavet leiata <a href="#">Mõõtepea puhastamine</a> leheküljel 411). Veenduge et membraanis ei oleks õhumulle. Raputage mõõtepead nagu kraadiklaasi. Ühendage mõni muu mõõtepea, et selgitada välja, kas probleem on seotud mõõtepea või mõõturiga.
Check the electrode (Kontrollige elektroodi).	
SAME BUFFERS (Samad puhverlahused)	Kalibreerige uuesti. Kontrollige mõõtepead: Puhastage mõõtepea (Lisateavet leiata <a href="#">Mõõtepea puhastamine</a> leheküljel 411). Veenduge et membraanis ei oleks õhumulle. Raputage mõõtepead nagu kraadiklaasi. Ühendage mõni muu mõõtepea, et selgitada välja, kas probleem on seotud mõõtepea või mõõturiga.  Kontrollige puhverlahust: kasutage uut puhverlahust.

**Tabel 2 Mõõtehoiatused ja -vead**

Viga/hoiatus	Lahendus
pH 12,78 19°C	Kalibreerige uuesti
pH out of range (pH väärtus ei mahu piiridesse)	Kontrollige mõõtepead: Puhastage mõõtepea (Lisateavet leiate <a href="#">Mõõtepea puhastamine</a> leheküljel 411). Veenduge et membraanis ei oleks õhumulle. Raputage mõõtepead nagu kraadiklaasi. Ühendage mõni muu mõõtepea, et selgitada välja, kas probleem on seotud mõõtepea või mõõturiga.
Temp out of range °C (Temperatuuri väärtus ei mahu piiridesse)	Kontrollige temperatuuriandurit. Ühendage mõni teine mõõtepea, et selgitada välja, kas viga on mõõtepeas või mõõturis.
Time > 60 s (Aeg > 60 s)	Veenduge, et membraan ja diafragma on korralikult proovi sukeldatud.
Time > 150 s (Aeg > 150 s)	Kontrollige temperatuuri. Kontrollige mõõtepead: Puhastage mõõtepea (Lisateavet leiate <a href="#">Mõõtepea puhastamine</a> leheküljel 411). Veenduge et membraanis ei oleks õhumulle. Raputage mõõtepead nagu kraadiklaasi. Ühendage mõni muu mõõtepea, et selgitada välja, kas probleem on seotud mõõtepea või mõõturiga.
Time > 300 s (Aeg > 300 s)	Kontrollige mõõtepead: Puhastage mõõtepea (Lisateavet leiate <a href="#">Mõõtepea puhastamine</a> leheküljel 411). Veenduge et membraanis ei oleks õhumulle. Raputage mõõtepead nagu kraadiklaasi. Ühendage mõni muu mõõtepea, et selgitada välja, kas probleem on seotud mõõtepea või mõõturiga.
10,389mg/l >>>>> 00012 00:13	ISE mõõtmine: Mõõdetud väärtus ületab kalibreerimisel kasutatud suurima väärtusega standardlahuse oma. Mõõtkte uuesti.
0,886mg/l <<<<<< 00018 00:11	ISE mõõtmine: Mõõdetud väärtus ületab kalibreerimisel kasutatud väikseima väärtusega standardlahuse oma. Mõõtkte uuesti.

## Varuosad ja tarvikud

**Märkus.** Toot- ja artiklinumbrid võivad müügipiirkondades erineda. Lisainfot saate edasimüüjatelt või firma veebilehelt.

## Varuosad

Kirjeldus	Osa nr.
sensION+ PH3 labori pH-meeter koos tarvikutega ja ilma mõõtepeata	LPV2000.98.0002
sensION+ PH31 labori pH-meeter,hea laboritava (GLP), koos tarvikutega ja ilma mõõtepeata	LPV2100.98.0002
sensION+ MM340 labori pH jaioon-meeter, hea laboritava (GLP), 2 kanalit, koos tarvikutega ja ilma mõõtepeata	LPV2200.98.0002
sensION+ EC7 labori elektri juhtivuse mõõtur, koos tarvikutega ja ilma mõõtepeata	LPV3010.98.0002
sensION+ EC71 labori elektri juhtivuse mõõtur, hea laboritava (GLP), koos tarvikutega ja ilma mõõtepeata	LPV3110.98.0002
sensION+ MM374, 2 kanaliga labori mõõtur, hea laboritava (GLP), koos tarvikutega ja ilma mõõtepeata	LPV4110.98.0002

## Kulumaterjalid

Kirjeldus	Osa nr.
4,01 pH puhverlahus, 125 ml	LZW9460.99
7,00 pH puhverlahus, 125 ml	LZW9461.98
10,01 pH puhverlahus, 125 ml	LZW9470.99
4,01 pH puhverlahus, 250 ml	LZW9463.99
7,00 pH puhverlahus, 250 ml	LZW9464.98
10,01 pH puhverlahus, 250 ml	LZW9471.99
4,01 pH puhverlahus, 1000 ml	LZW9466.99
7,00 pH puhverlahus, 1000 ml	LZW9467.98
10,01 pH puhverlahus, 1000 ml	LZW9472.99
Elektrolüüdilahus (KCl 3 M), 125 ml	LZW9510.99
Elektrolüüdilahus (KCl 3 M), 250 ml	LZW9500.99

## Varuosad ja tarvikud (järgneb)

Kirjeldus	Osa nr.
Elektrolüüdilahus (KCl 3 M), 50 ml	LZW9509.99
Elektrolüüdilahus 0,1 M, 125 ml	LZW9901.99
Ensüümilahus	2964349
Pepsiiniga puhastusvahend	2964349
Elektroodide puhastusvahend	2965249
0,1 N HCl lahus	1481253

## Tarvikud

Kirjeldus	Osa nr.
Termoprinter, RS232, labori töölauda sensION+-le	LZW8201.99
Termopaber printerile LZW8201, 5 rulliga kott	LZW9117.99
Maatriksprinter, RS232, sensION+ aparatuuridele	LZW8200.99
Standardpaber printerile LZW8200, 10 rulliga kott	LZW9000.99
Printeri lint LZW8200, 3 tükki	LZW9001.99
LabCom Easy PC SW, sensION+ GLP jaoks, CD, kaabel, USB adapter	LZW8997.99
LabCom PC SW, sensION+ GLP jaoks, CD, kaabel, USB adapter	LZW8999.99
RS232 kaabel, sensION+ labori töölauda aparatuuri jaoks	LZW9135.99
RS232 kaabel labori töölauda sensION+-i jaoks, USB adapteriga	LZW9135USB.99
Magnetsegaja anduri hoidikuga, labori töölauda sensION+ MM jaoks	LZW9319.99
3x50 ml pealetrükiga keeduklaasid pH kalibreerimiseks laboris	LZW9110.98

## Varuosad ja tarvikud (järgneb)

Kirjeldus	Osa nr.
Kolme anduri hoidik, sensION+-i labori töölauda aparatuurile	LZW9321.99
Anduri hoidik ja klamber	LZW9155.99
Pyrex kellaklaas, pidevvoe mõõtmised	LZW9118.99
PP kate, elektroodi hoiustamine	LZW9161.99

## Standardlahused

### Tehnilised puhverlahused (DIN 19267)

Vaadake [Tabel 3](#), et leida kindlate puhverikombinatsioonidele pH ja ORP-i (mV) väärtusi erinevatel temperatuuridel.

**Tabel 3 pH, ORP-i (mV) ja temperatuuri väärtused**

Temperatuur		pH					mV
°C	°F						
0	32	2,01	4,01	7,12	9,52	10,30	—
10	50	2,01	4,00	7,06	9,38	10,17	245
20	68	2,00	4,00	7,02	9,26	10,06	228
<b>25</b>	<b>77</b>	<b>2,00</b>	<b>4,01</b>	<b>7,00</b>	<b>9,21</b>	<b>10,01</b>	<b>220</b>
30	86	2,00	4,01	6,99	9,16	9,96	212
40	104	2,00	4,03	6,97	9,06	9,88	195
50	122	2,00	4,06	6,97	8,99	9,82	178
60	140	2,00	4,10	6,98	8,93	9,76	160
70	158	2,01	4,16	7,00	8,88	—	—
80	176	2,01	4,22	7,04	8,83	—	—
90	194	2,01	4,30	7,09	8,79	—	—

**Puhverlahused (DIN 19266)**

Vaadake Tabel 4, et leida kindlate puhvrikombinatsioonidele pH ja ORP-i (mV) väärtusi erinevatel temperatuuridel.

**Tabel 4 pH, ORP-i (mV) ja temperatuuri väärtused**

Temperatuur		pH					mV	
°C	°F							
5	32	1,668	4,004	6,951	7,087	9,395	10,245	13,207
10	50	1,670	4,000	6,923	7,059	9,332	10,179	13,003
20	68	1,675	4,001	6,881	7,016	9,225	10,062	12,627
<b>25</b>	<b>77</b>	<b>1,679</b>	<b>4,006</b>	<b>6,865</b>	<b>7,000</b>	<b>9,180</b>	<b>10,012</b>	<b>12,454</b>
30	86	1,683	4,012	6,853	6,987	9,139	9,966	12,289
40	104	1,694	4,031	6,838	6,970	9,068	9,889	11,984
50	122	1,707	4,057	6,833	6,964	9,011	9,828	11,705
60	140	1,723	4,085	6,836	6,968	8,962	—	11,449
70	158	1,743	4,126	6,845	6,982	8,921	—	—
80	176	1,766	4,164	6,859	7,004	8,885	—	—
90	194	1,792	4,205	6,877	7,034	8,850	—	—



**HACH COMPANY World Headquarters**

P.O. Box 389, Loveland, CO 80539-0389 U.S.A.

Tel. (970) 669-3050

(800) 227-4224 (U.S.A. only)

Fax (970) 669-2932

orders@hach.com

www.hach.com

**HACH LANGE GMBH**

Willstätterstraße 11

D-40549 Düsseldorf, Germany

Tel. +49 (0) 2 11 52 88-320

Fax +49 (0) 2 11 52 88-210

info@hach-lange.de

www.hach-lange.de

**HACH LANGE Sàrl**

6, route de Compois

1222 Vézenaz

SWITZERLAND

Tel. +41 22 594 6400

Fax +41 22 594 6499

